

Atlas Copco Stationary Air Compressors

G 110 VSD, G 132 VSD, G 160 VSD

Parts list

- Copyright 2014, Atlas Copco Wuxi, China.
Any unauthorized use or copying of the contents or any part thereof is prohibited.
This applies in particular to trademarks, model denominations, part numbers and drawings.
- **Use only authorized parts.** Any damage or malfunction caused by the use of unauthorized parts is not covered by Warranty or Product Liability.

No.9829 3060 01
Ed.01

Registration code : APC GA>90

2014-05

www.atlascopco.com

Atlas Copco

Contents
 Inhoud
 Innehåll
 Inhaltsverzeichnis
 Table des matières
 Indice

Indice
 Innholdsfortegnelse
 Indice
 Indholdsfortegnelse
 Sisällysluettelo

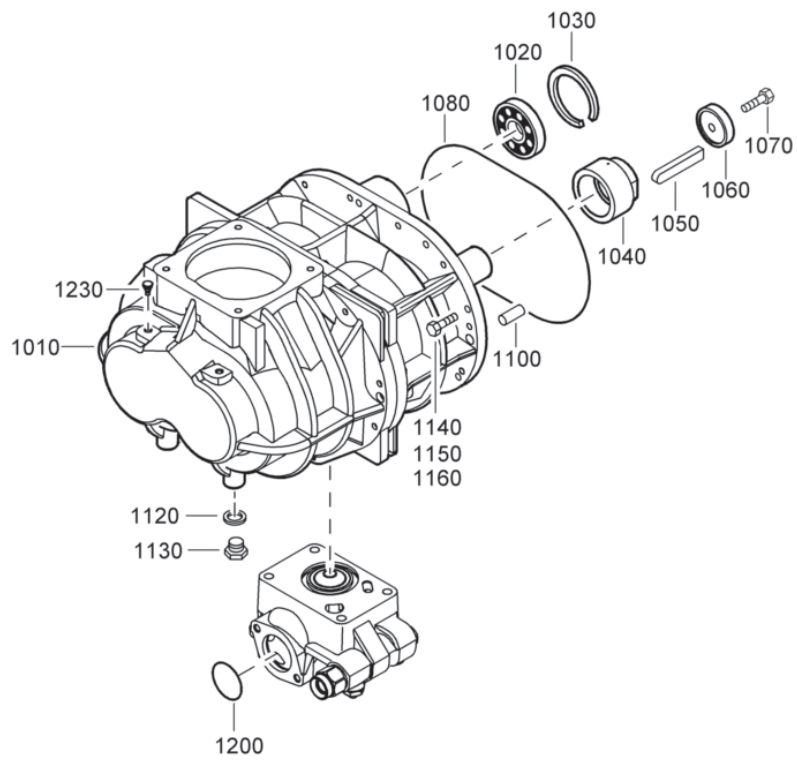
Element and connections - G 110 VSD	1	Air receiver	9
Element and connections - G 132/160 VSD	2	Air and oil system - G 110 VSD	10
Gearbox - G 110 VSD	3	Air and oil system - G 132/160 VSD	11
Gearbox - G 132/160 VSD	4	Air outlet	12
Valves on element - G 110 VSD	5	Coolers	
Valves on element - G 132/160 VSD	6	- Aircooled	13
Gears - G 110 VSD	7	- Watercooled - G 110 VSD	14
Air inlet	8		

Contents
 Inhoud
 Innehåll
 Inhaltsverzeichnis
 Table des matières
 Indice

Indice
 Innholdsfortegnelse
 Indice
 Indholdsfortegnelse
 Sisällysluettelo

- Coolers - Watercooled - G 132/160 VSD	15	Regulating system - G 132/160 VSD	21
Fan and cooling duct plates - Aircooled - G 110 VSD ..	16	Drain system	22
Fan and cooling duct plates - Aircooled - G 132/160 VSD	17	Bodywork	23
Frame and motor - G 110 VSD	18	- G 110 VSD	23
Frame and motor - G 132/160 VSD	19	- G 132/160 VSD	24
Regulating system - G 110 VSD	20	Cubicle box	25
		Control panel	26
		Service kits	27

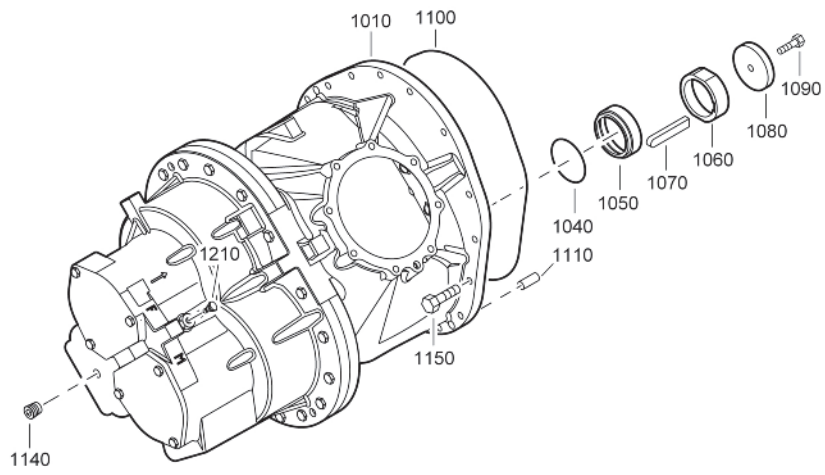
1



Element and connections - G 110 VSD**1**

Ref.	Partnumber	Qty	Name	Remarks	Ref.	Partnumber	Qty	Name	Remarks
1010	1616 7409 80	1	Service stage		1100	0101 1626 00	2	Pin	
1020	0508 1158 01	1	Bearing		1120	0661 1000 25	1	Seal washer	
1030	0335 2160 00	1	Int.circlip		1130	0686 3716 01	1	Plug	
1040	1623 1476 00	1	Spacer		1140	0147 1365 03	3	Hexagon bolt	
1050	0337 0009 77	1	Key parallel		1150	0147 1366 03	3	Hexagon bolt	
1060	1623 0367 00	1	Washer		1160	0211 1366 03	2	Sock screw	
1070	0211 1409 00	1	Screw		1200	0663 2111 46	1	O-ring	
1080	0663 2109 78	1	O-ring		1230	1619 6032 00	5	Nipple	

2

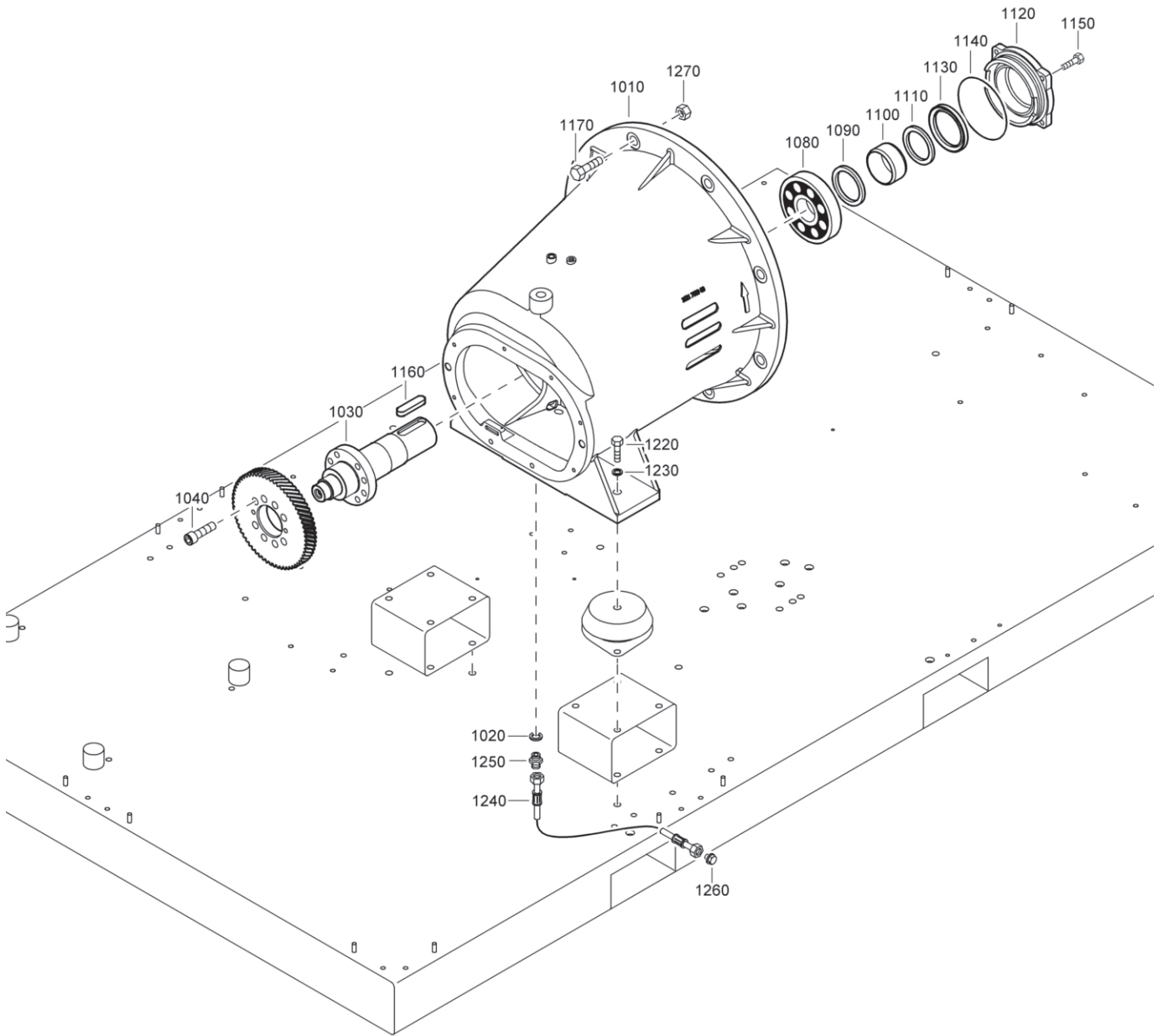


Element and connections - G 132/160 VSD

2

Ref.	Partnumber	Qty	Name	Remarks	Ref.	Partnumber	Qty	Name	Remarks
1010	1616 7345 82	1	Service stage		1100	0663 2114 07	1	O-ring	
1040	0663 7138 00	1	O-ring		1110	0101 1626 00	2	Pin	
1050	1621 7324 00	1	Bushing		1140	0686 6123 00	1	Plug	
1060	1621 7326 00	1	Bushing		1150	0147 1405 03	15	Hexagon bolt	
1070	0337 8350 00	1	Parallel key		1210	1619 6032 00	5	Nipple	
1080	1623 0075 00	1	Washer						
1090	0147 1409 03	1	Hexagon bolt						

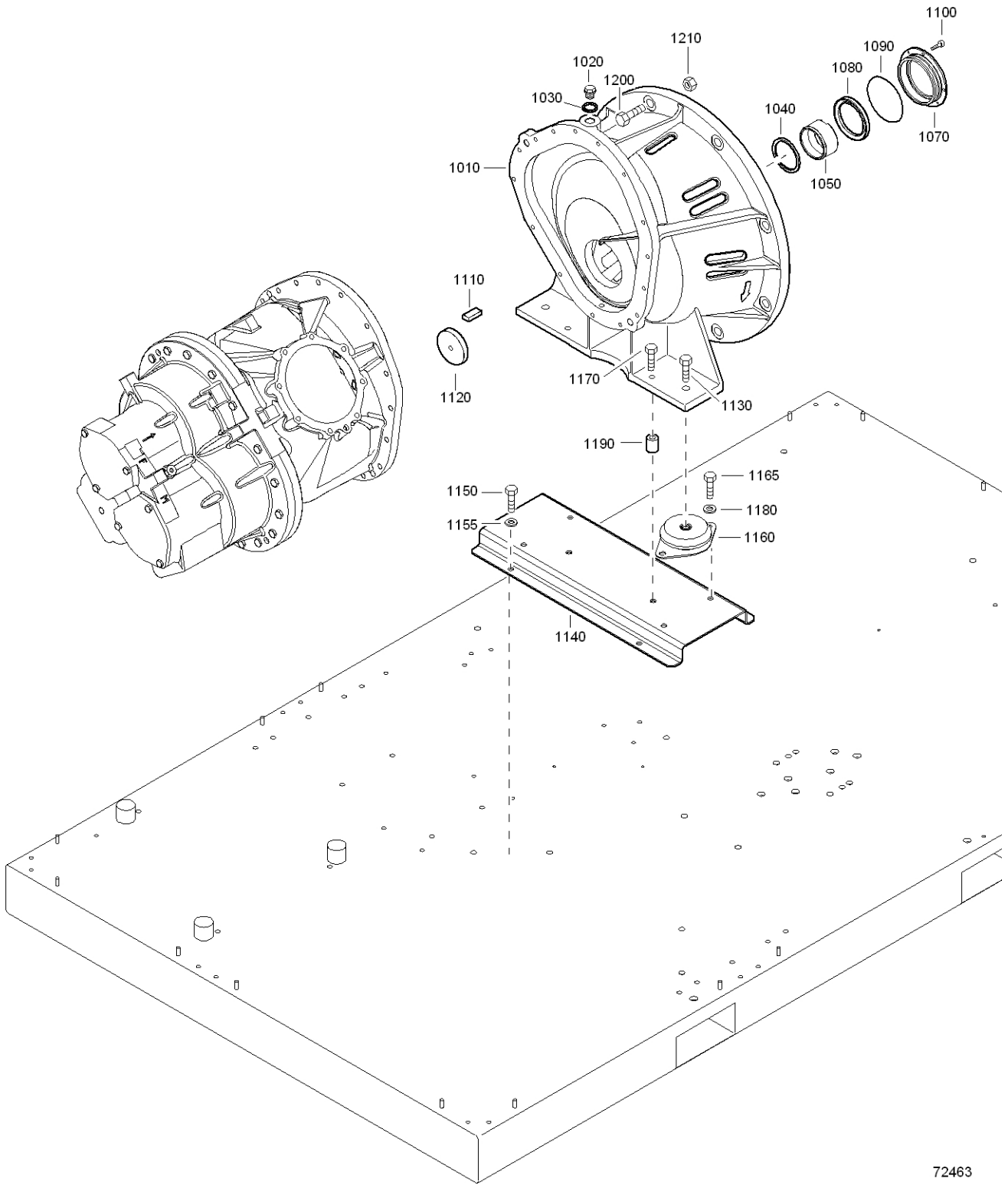
3



Gearbox - G 110 VSD**3**

Ref.	Partnumber	Qty	Name	Remarks	Ref.	Partnumber	Qty	Name	Remarks
1010	1621 7939 00	1	Gear box		1140	0663 2107 76	1	O-ring	
1020	0661 1000 27	1	Seal washer		1150	0147 1366 03	4	Hexagon bolt	
1030	1623 0972 00	1	Shaft		1160	0337 0009 91	1	Key parallel	
1040	0211 1480 00	8	Hexagon bolt		1170	0147 1557 03	8	Hexagon bolt	
1080	0504 0110 01	1	Bearing		1220	0147 1479 03	1	Hexagon bolt	
1090	1616 5518 00	1	Washer		1230	0333 3244 00	1	Lock washer	
1100	1616 5519 00	1	Bushing		1240	0574 8235 32	1	Hose assembly	
1110	1623 0611 00	1	Bushing		1250	1079 5840 15	1	Nipple	
1120	1616 5515 00	1	Retainer		1260	1614 9252 00	1	Plug	
1130	1621 4840 00	1	Seal		1270	0266 2116 00	8	Nut	

4

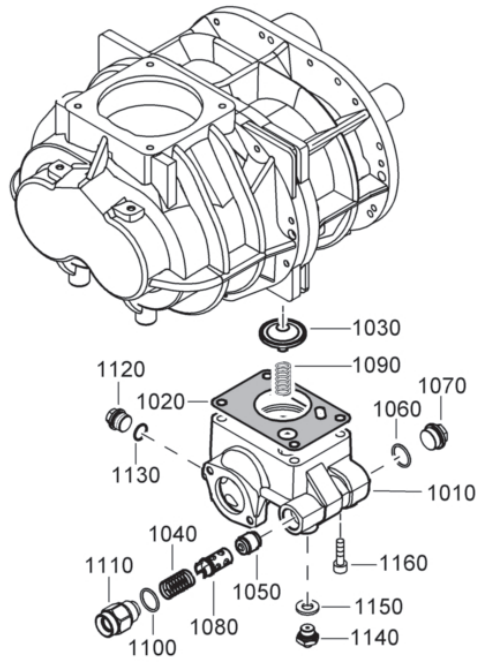


72463

Gearbox - G 132/160 VSD**4**

Ref.	Part number	Qty	Name	Remarks	Ref.	Part number	Qty	Name	Remarks
1010	1621 7991 01	1	Coupling housing		1130	0147 1407 03	2	Bolt	
1020	0686 3716 01	1	Plug		1140	1092 1200 46	1	Plate	
1030	0661 1000 25	1	Seal washer		1150	0147 1401 03	6	Bolt	
1040	1614 8944 00	1	Ring		1155	0301 2344 00	6	Washer	
1050	1623 1177 00	1	Bushing		1160	1619 5189 01	2	Rubber buffer	
1070	1614 8943 00	1	Retainer		1165	0147 1400 03	8	Bolt	
1080	1623 4841 00	1	Seal		1170	0147 1480 03	2	Bolt	
1090	0663 2108 23	1	O-ring		1180	0033 3244 00	5	Lock washer	
1100	0221 1246 03	4	Hex sock.screw		1190	1202 6668 07	2	Transport support	
1110	0337 0009 79	1	Key parallel		1200	0147 1557 03	8	Bolt	
1120	1623 0075 00	1	Washer		1210	0266 2116 00	8	Nut	

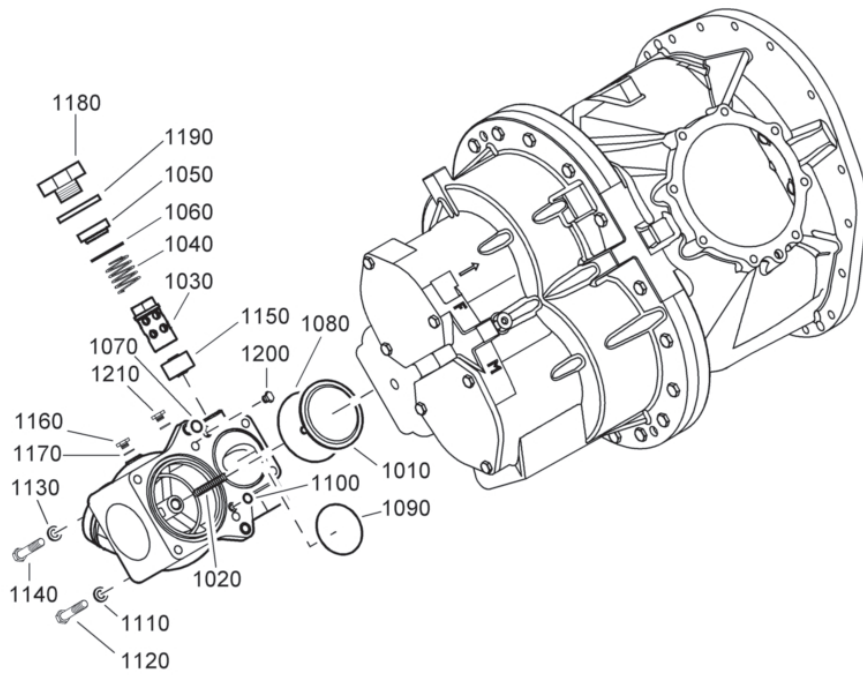
5



Valves on element - G 110 VSD**5**

Ref.	Part number	Qty	Name	Remarks	Ref.	Part number	Qty	Name	Remarks
1010	1622 0795 00	1	Valve housing		1090	1622 5662 00	1	Spring	
1020	1622 0977 00	1	Gasket		1100	0661 1000 44	1	Seal washer	
1030	1622 9639 00	1	Check valve		1110	1623 0798 00	1	Nipple	
1040	1622 0796 00	1	Spring		1120	0686 3716 01	1	Plug	
1050	1622 1041 00	1	Piston		1130	0661 1000 25	1	Seal washer	
1060	0661 1000 44	1	Seal washer		1140	1079 5840 19	1	Nipple	
1070	0686 3716 07	1	Plug		1150	0661 1000 27	1	Seal washer	
1080	1623 1362 00	1	Valve oil stop		1160	0211 1964 75	4	Hex. Sock. Screw	

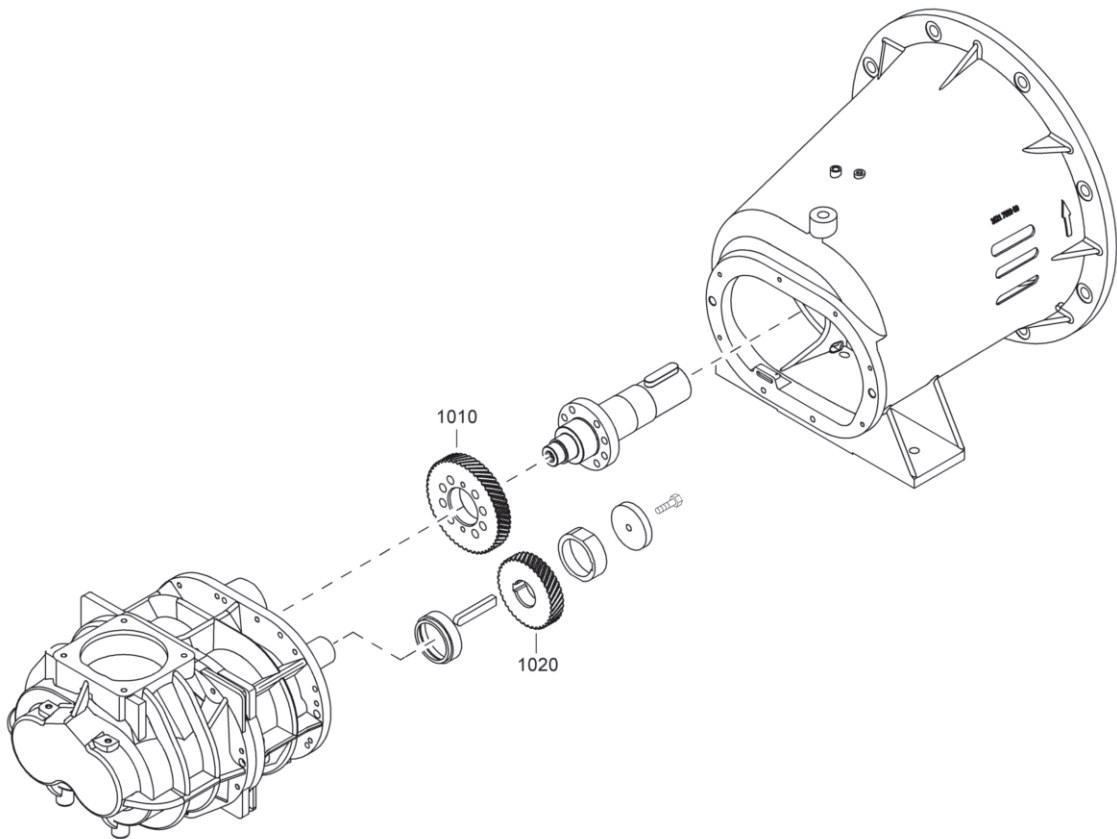
6



Valves on element - G 132/160 VSD**6**

Ref.	Partnumber	Qty	Name	Remarks	Ref.	Partnumber	Qty	Name	Remarks
1010	1623 0385 00	1	Valve check		1120	0147 1421 03	4	Hexagon bolt	
1020	2254 8075 00	1	Compr.spring		1130	0301 2358 00	2	Washer	
1030	1623 1354 00	1	Valve stop		1140	0147 1413 03	2	Hexagon bolt	
1040	1623 1767 00	1	Spring		1150	2255 2813 00	1	Piston	
1050	2252 6269 00	1	Spring guide		1160	0686 3716 01	1	Plug	
1060	0335 2145 00	1	Int.circlip		1170	0661 1000 25	1	Seal washer	
1070	0663 2108 12	2	O-ring		1180	0686 3716 10	1	Plug	
1080	0663 2106 20	1	O-ring		1190	0661 1000 32	1	Seal washer	
1090	0663 2106 15	1	O-ring		1200	0686 6441 00	1	Plug	
1100	0663 3116 00	1	O-ring		1210	0686 3101 00	1	Plug	
1110	0301 2358 00	4	Washer						

7

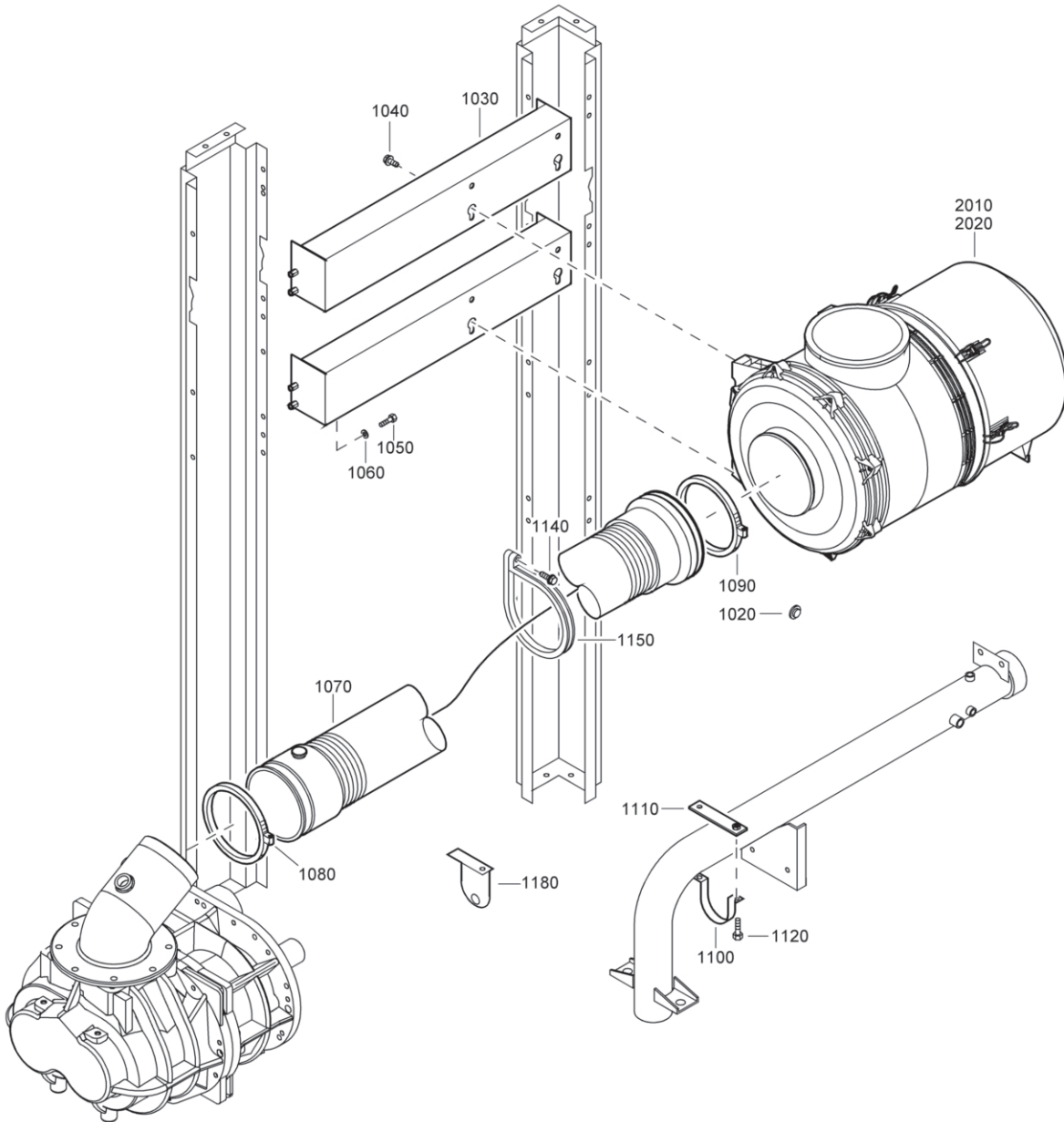


Gears - G 110 VSD

7

<u>Ref.</u>	<u>Part number</u>	<u>Qty</u>	<u>Name</u>	<u>Remarks</u>	<u>Ref.</u>	<u>Part number</u>	<u>Qty</u>	<u>Name</u>	<u>Remarks</u>
1010	1623 4115 00	1	G 110 VSD Gear pinion		1020	1623 4114 00	1	Gear drive	

8

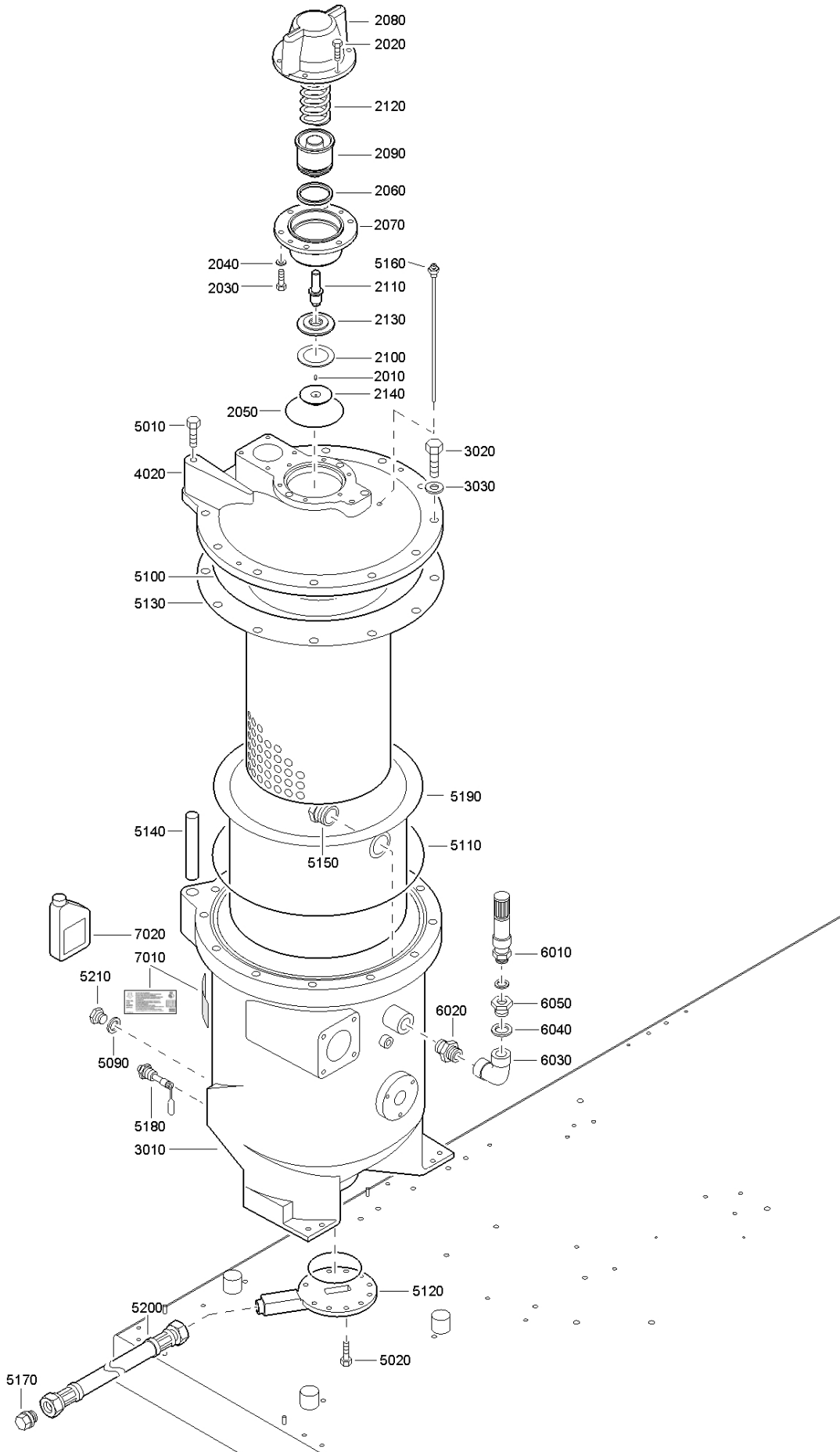


Air inlet

8

Ref.	Part number	Qty	Name	Remarks	Ref.	Part number	Qty	Name	Remarks
1020	1616 2987 00	8	Plug		1090	0347 6100 43	1	Hose clip	
1030	1621 5012 00	2	Support		1100	1614 9625 00	1	Support	
1040	1079 1472 06	8	Hexagon bolt		1110	1621 5690 00	1	Support	
1050	0147 1362 03	4	Hexagon bolt		1120	0147 1326 03	2	Hexagon bolt	
1060	0301 2344 00	4	Washer		1140	1079 1472 06	1	Hexagon bolt	
1070		1	Hose		1150	0346 1000 26	2	Pipe clamp	
	1092 0030 27		G 110 VSDA		1180	1614 9772 00	1	Support watercooled	
	1092 1200 57		G 110 VSD W			1621 7377 80	1	Air filter	
	1092 1200 74		G 132/160 VSDA		2010	1621 7376 00	• 1	Air filter	
	1092 1200 60		G 132/160 VSD W		2020	1621 7377 00	• 1	Housing	
1080	1092 0002 55	1	Hose clamp						

9

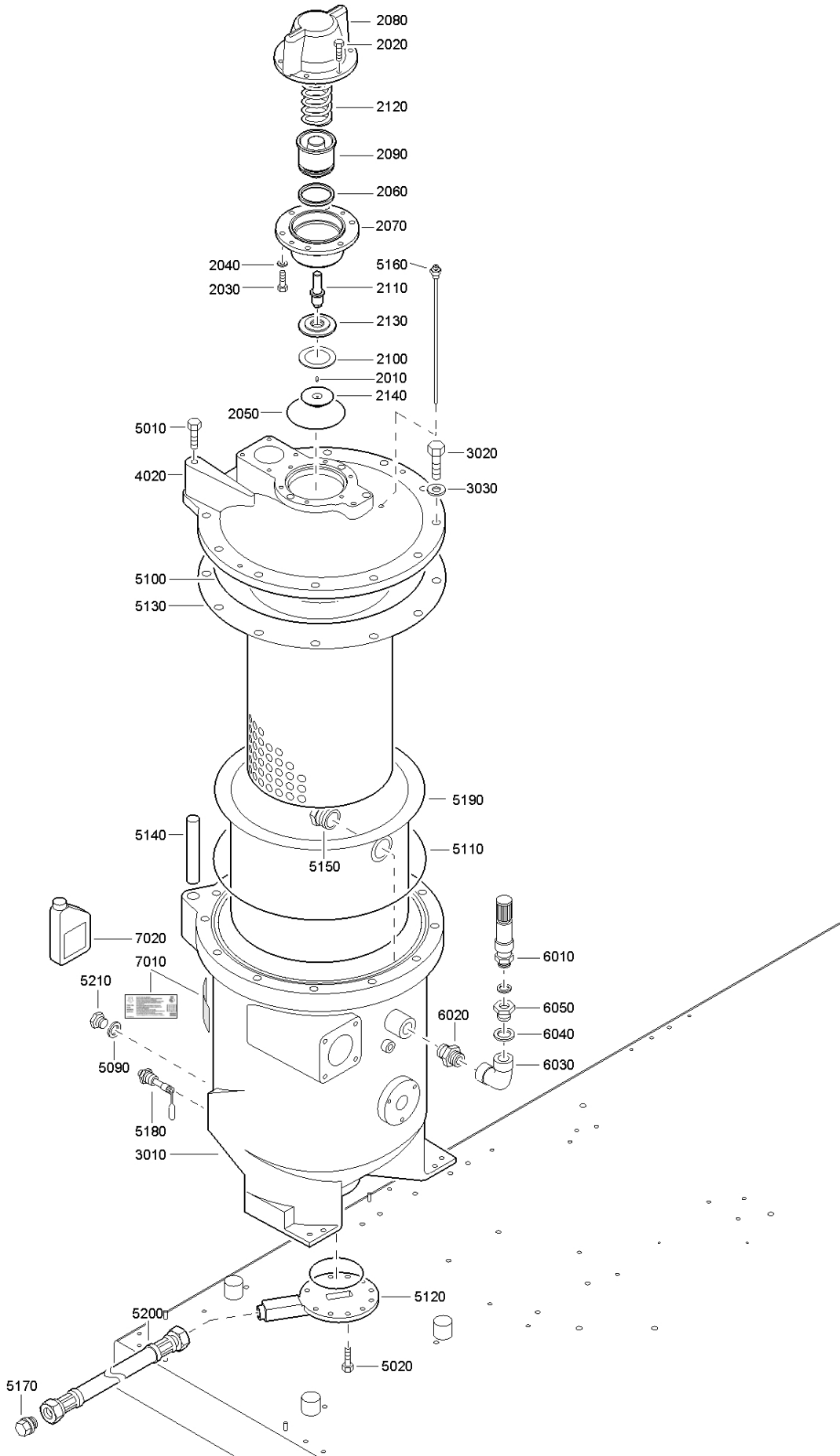


Air receiver

9

Ref.	Partnumber	Qty	Name	Remarks	Ref.	Partnumber	Qty	Name	Remarks
			Min.Press valve		5110	0663 2109 45	2	O-ring	
2010	9125 7289 00	1	Set screw		5120	1092 0112 00	1	Pipe	
2020	0147 1365 03	6	Hexagon bolt		5130		1	Oil separator element	
2030	0147 1958 97	2	Hexagon bolt			1614 9054 00		G 110 VSD	
2040	0301 2335 00	2	Washer			1614 9056 00		G 132/160 VSD	
2050	0663 2106 58	1	O-ring		5140	1614 9089 00	1	Pivot pin	
2060	0665 0701 39	1	Back-up ring		5150		1	Bushing	
2070	1614 6477 00	1	Sleeve			1614 909000		G 110 VSD	
2080	1614 6478 00	1	Cover			1614 909400		G 132/160 VSD	
2090	1621 4977 00	1	Piston		5160		1	Scavenge line	
2100	1614 6957 00	1	Washer					CE	
2110	1623 2037 00	1	Shaft			1092 1200 94		G 110 VSD	
2120	2253 1860 00	1	Spring			1092 1200 95		G 132/160V	
2130	1621 4975 00	1	Ring					Other	
2140	1621 4976 00	1	Nut			1614 9142 00		G 110 VSD	
			Air receiver			1614 9141 00		G 132/160 VSD	
		1	Vessel		5170	1614 9146 00	1	Plug	
3010			ML(China)		5180	1614 9184 00	1	Level gauge	
	1092 1204 60		G 110 VSD		5190		1	Shield	
	1092 1204 70		G 132/160 VSD			1614 9223 00		G 110 VSD	
			ML(English)			1092 0041 97		G 132/160 VSD	
	1092 1204 61		G 110 VSD		5200	1621 9144 00	1	Hose assembly	
	1092 1204 71		G 132/160 VSD		5210	2250 2528 00	1	Plug	
			CE					Safety valve	
	1092 1201 46		G 110 VSD					ML	
	1092 1201 47		G 132/160 VSD					G 110 VSD 7.5/8.5	
			ASME/MOM		6010	1092 0125 12	1	Safety valve	
	1092 1200 08		G 110 VSD		6020	0603 4106 03	1	Nipple	
	1092 1200 10		G 132/160 VSD		6030	0560 0200 73	1	Elbow	
			AS1210		6040	0653 1165 00	1	Flat gasket	
	1092 0056 59		G 110 VSD		6050	1614 9144 00	1	Nipple	
	1092 0056 62		G 132/160 VSD					G 110 VSD 10/14	
3020	0147 1555 03	15	Hexagon bolt		6010	1092 0001 76	1	Safety valve	
3030	0301 2394 00	15	Washer		6020	0603 4106 03	1	Nipple	
4020		1	Valve housing		6030	0560 0200 73	1	Elbow	
			ML		6040	0653 1189 90	1	Flat gasket	
	1092 1201 35		G 110 VSD		6050	1092 0032 99	1	Nipple	
	1092 1201 37		G 132/160 VSD					G 132/160 VSD 7.5/8.5	
			CE		6010	1092 0124 13	1	Safety valve	
	1092 1204 80		G 110 VSD		6020	0603 4107 03	1	Nipple	
	1092 1205 80		G 132/160 VSD		6030	0564 0000 82	1	Elbow	
			ASME/MOM/AS1210		6040	0653 1165 00	1	Flat gasket	
	1092 0033 08		G 110 VSD		6050	1614 9144 00	1	Nipple	
	1092 0033 09		G 132/160 VSD					G 132/160 VSD 10/14	
5010	0147 1479 03	1	Hexagon bolt		6010	1092 0125 18	1	Safety valve	
5020	0147 1962 29	11	Hexagon bolt		6020	0603 4107 13	1	Nipple	
5090	0661 1000 31	1	Seal washer		6030	0564 0000 81	1	Elbow	
5100	0663 2106 20	1	O-ring		6040	0653 1189 00	1	Flat gasket	
					6050	1614 9144 00	1	Nipple	

9

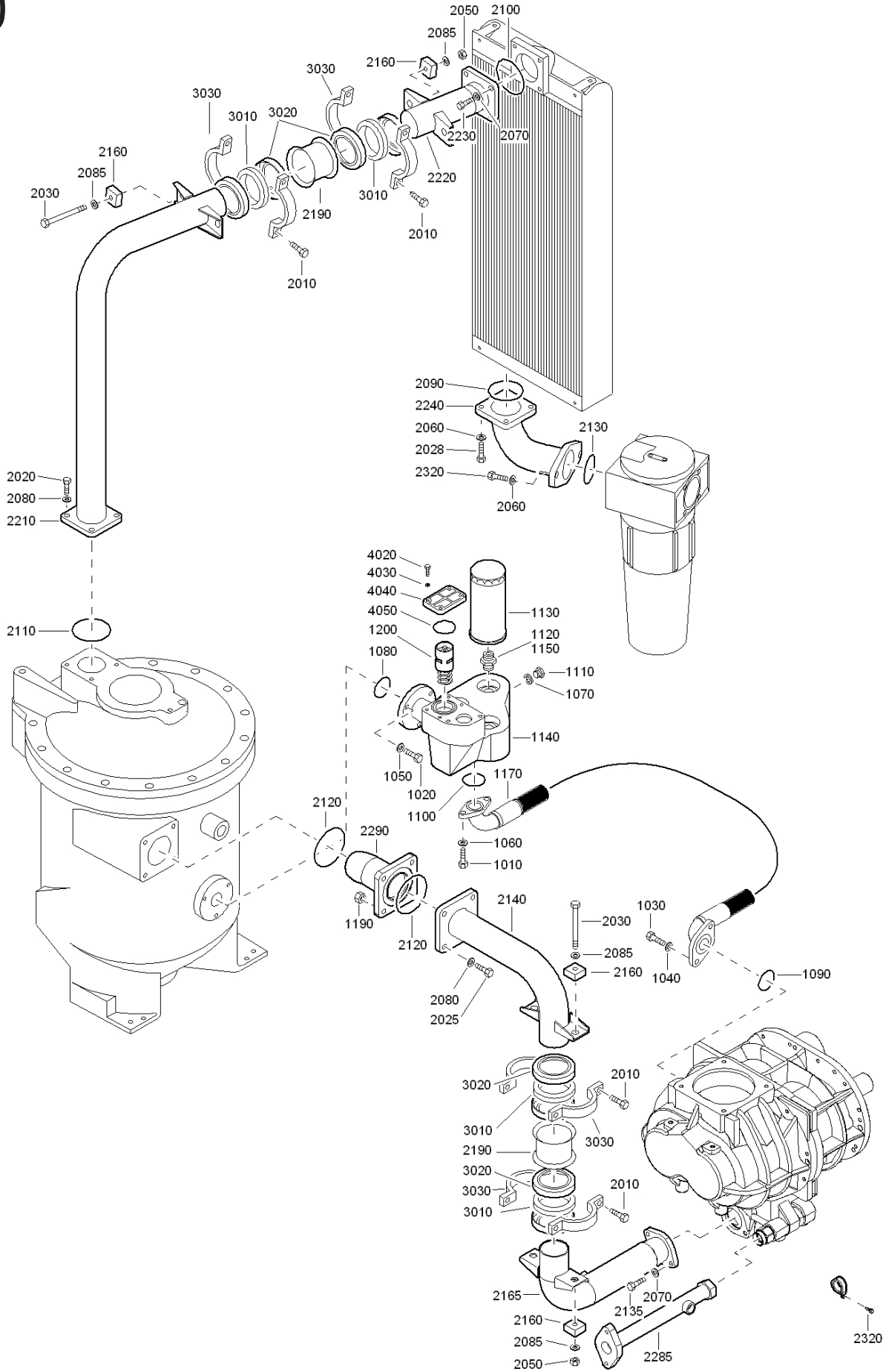


Air receiver

9

Ref.	Part number	Qty	Name	Remarks	Ref.	Part number	Qty	Name	Remarks
			Others					G 110 VSD 10/14 50Hz	
			(CE,ASME,AS1210,MOM)					G 110 VSD 150/200 PSI 60Hz	
			G 110 VSD 7.5/8.5 50Hz		6010	0830 1008 92	1	Safety valve	
			G 110 VSD 100/125 PSI 60Hz		6020	0603 4107 03	1	Nipple	
			G 132/160 VSD		6030	0564 0000 81	1	Elbow	
6010	0830 1008 95	1	Safety valve		6040	0653 1189 00	1	Flat gasket	
6020	0603 4106 03	1	Nipple					Oil-Roto Xtend duty	
6030	0560 0200 73	1	Elbow		7010	1092 0012 07	1	Label	
6040	0653 1165 00	2	Flat gasket		7020	1092 0050 00	1	Oil can	

10

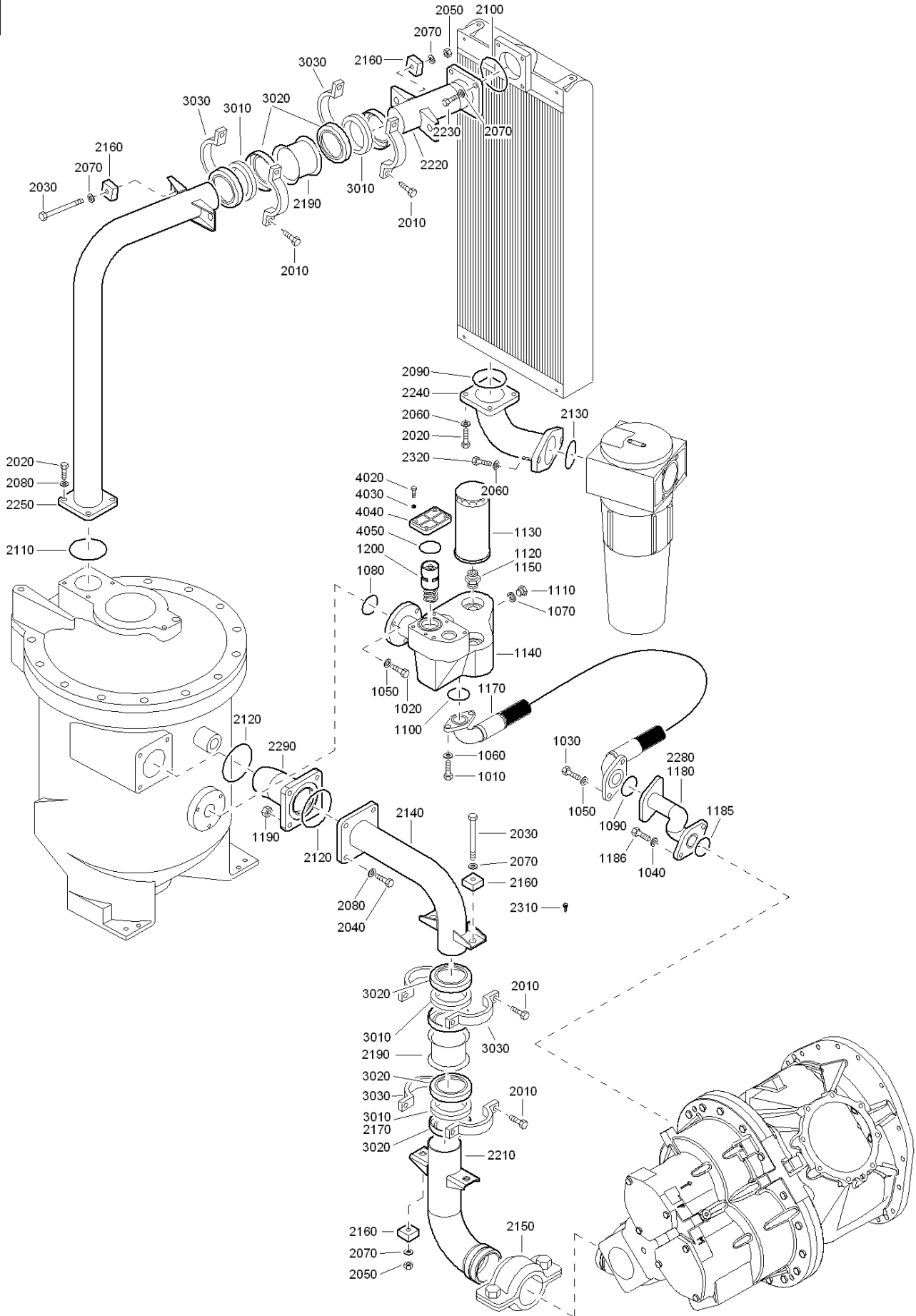


Air and oil system - G 110 VSD

10

Ref.	Partnumber	Qty	Name	Remarks	Ref.	Partnumber	Qty	Name	Remarks
			Oil connection		2140		1	Pipe	
1010	0147 1362 03	2	Hexagon bolt			1092 1265 03		CE	
1020	0147 1370 03	3	Hexagon bolt			1092 0020 29		Other	
1030	0147 1401 03	2	Hexagon bolt		2160	1614 8926 00	8	Absorber	
1040	0301 2344 00	5	Washer		2165		1	Pipe	
1050	0301 2358 00	2	Washer			1092 1265 02		CE	
1060	0661 1000 24	2	Seal washer			1092 0020 30		Other	
1070	0661 1000 25	1	Seal washer		2190		2	Pipe	
1080	0663 2107 77	2	O-ring			1092 1202 87		CE	
1090	0663 2106 11	1	O-ring			1614 9117 00		Other	
1100	0663 2109 68	1	O-ring		2210		1	Pipe	
1110	0686 3716 01	1	Plug			1092 1208 00		CE	
1120	1079 5840 01	2	Nipple			1614 9171 00		Other	
1130	1621 7378 00	2	Glass fiber oil filter		2220		1	Pipe	
1140	1092 0023 35	1	Oil filter housing			1092 1202 82		CE	
1150	1623 1451 00	2	Nipple			1614 9169 00		Other	
1170	1621 9635 00	1	Hose		2230	0147 1363 03	4	Hexagon bolt	
1190	0266 2112 00	4	Nut		2240		1	Pipe	
1200	1202 5869 03	1	Thermost.valve			1092 1202 84		CE	
			Air connection			1614 9459 00		Other	
2010	0147 1369 03	8	Hexagon bolt		2285	1092 0020 28	1	Pipe	
2020	0147 1961 01	4	Hexagon bolt		2290		1	Pipe	
2025	0147 1406 03	4	Hexagon bolt			1092 1202 83		CE	
2028	0147 1476 03	4	Hexagon bolt			1092 1202 01		Other	
2030	0147 1499 03	2	Hexagon bolt		2300	0346 1000 27	2	Pipe clamp	
2050	0291 1114 00	4	Locknut		2310	1619 2766 00	1	Hexagon bolt	
2060	0301 2378 00	8	Washer		2320	0147 1500 03	2	Hexagon bolt	
2070	0301 2344 00	20	Washer			1614 9114 00	4	Joint set	
2080	0301 2358 00	8	Washer		3010	1614 9115 00	• 8	Joint	
2085	0300 0276 03	4	Washer		3020	1614 9116 00	• 8	Ring	
2090	0663 2106 15	1	O-ring		3030	1614 9118 00	• 16	Bracket	
2100	0663 2106 17	1	O-ring		4020	0147 1325 03	4	Hexagon bolt	
2110	0663 2106 17	1	O-ring		4030	0301 2335 00	4	Washer	
2120	0663 2106 18	2	O-ring		4040	1614 9007 00	1	Cover	
2130	0663 2107 94	1	O-ring		4050	0663 2107 77	1	O-ring	
2135	0147 1363 03	2	Hexagon bolt						

11

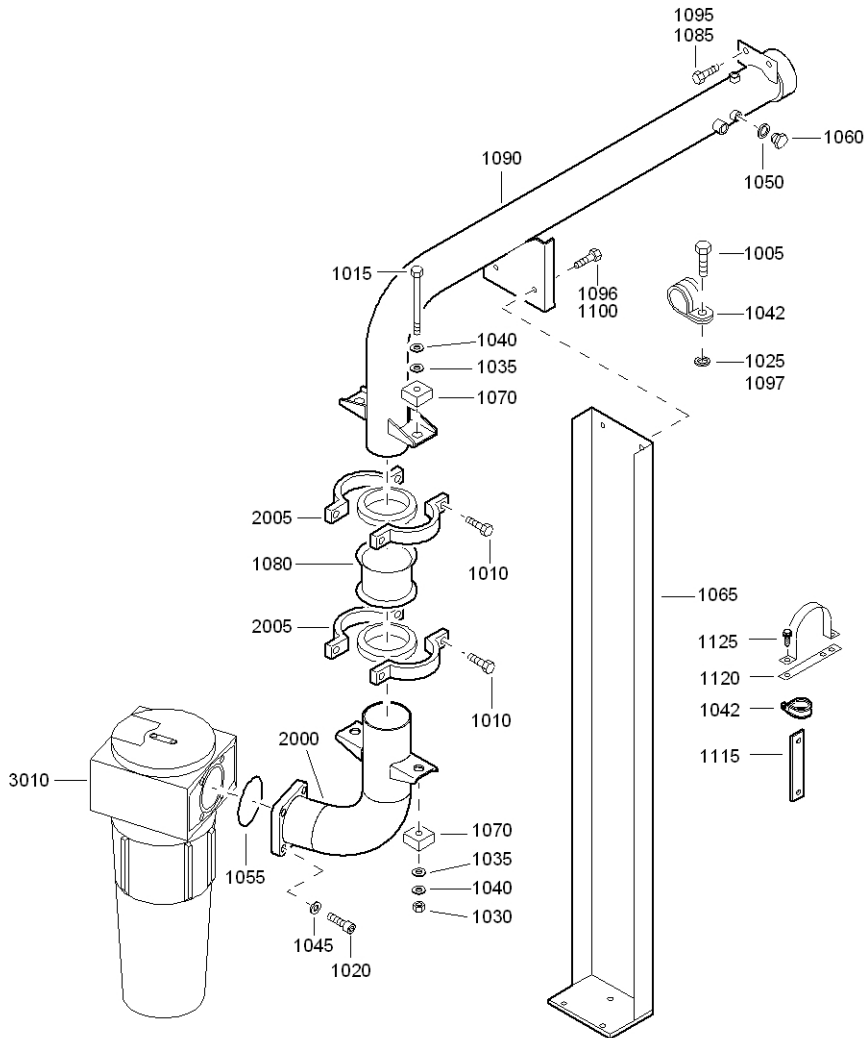


Air and oil system - G 132/160 VSD

11

Ref.	Part number	Qty	Name	Remarks	Ref.	Part number	Qty	Name	Remarks
			Oil connection		2140		1	Pipe	
1010	0147 1362 03	2	Hexagon bolt			1092 1265 00		CE	
1020	0147 1370 03	3	Hexagon bolt			1092 1202 05		Other	
1030	0147 1401 03	2	Hexagon bolt		2150	0634 1001 45	1	Coupline	
1040	0301 2344 00	7	Washer		2160	1614 8926 00	8	Absorber	
1050	0301 2358 00	2	Washer		2170	1614 9063 00	4	Joint set	
1060	0661 1000 24	2	Seal washer		2190		2	Pipe	
1070	0661 1000 25	1	Seal washer			1092 1202 94		CE	
1080	0663 2107 77	2	O-ring			1614 9066 00		Other	
1090	0663 2106 11	1	O-ring		2210		1	Pipe	
1100	0663 2109 68	1	O-ring			1092 1277 06		CE	
1110	0686 3716 01	1	Plug			1092 1200 59		Other	
1120	1079 5840 01	2	Nipple		2220		1	Pipe	
1130	1621 7378 00	2	Glass fiber oil filter			1092 1202 89		CE	
1140	1092 0023 35	1	Oil filter housing			1614 9217 00		Other	
1150	1623 1451 00	2	Nipple		2230	0147 1363 03	4	Hexagon bolt	
1170	1621 9635 00	1	Hose		2240		1	Pipe	
1180	1092 0030 16	1	Pipe			1092 1202 90		CE	
1185	0663 2108 00	1	O-ring			1614 9448 00		Other	
1186	0147 1363 03	2	Hexagon bolt		2250		1	Pipe	
1190	0266 2112 00	4	Nut			1092 1206 00		CE	
1200	1202 5869 03	1	Thermost.valve			1614 9488 00		Other	
			Air connection		2280	1092 0030 16	1	Pipe	
2010	0147 1369 03	8	Hexagon bolt		2290		1	Pipe	
2020	0147 1961 01	8	Hexagon bolt			1092 1202 83		CE	
2030	0147 1502 03	2	Hexagon bolt			1092 1202 01		Other	
2040	0211 1401 03	4	Hex. sock. screw		2310	1619 2766 00	1	Hexagon bolt	
2050	0291 1114 00	4	Locknut		2320	0147 1501 03	2	Hexagon bolt	
2060	0300 0276 03	8	Washer			1614 9063 00	4	Joint set	
2070	0301 2344 00	20	Washer		3010	1614 9064 00	• 8	Joint	
2080	0301 2358 00	12	Washer		3020	1614 9065 00	• 8	Ring	
2090	0663 2106 15	1	O-ring		3030	1614 9067 00	• 16	Bracket	
2100	0663 2106 17	1	O-ring		4020	0147 1325 03	4	Hexagon bolt	
2110	0663 2106 17	1	O-ring		4030	0301 2335 00	4	Washer	
2120	0663 2106 18	2	O-ring		4040	1614 9007 00	1	Cover	
2130	0663 2109 69	1	O-ring		4050	0663 2107 77	1	O-ring	

12

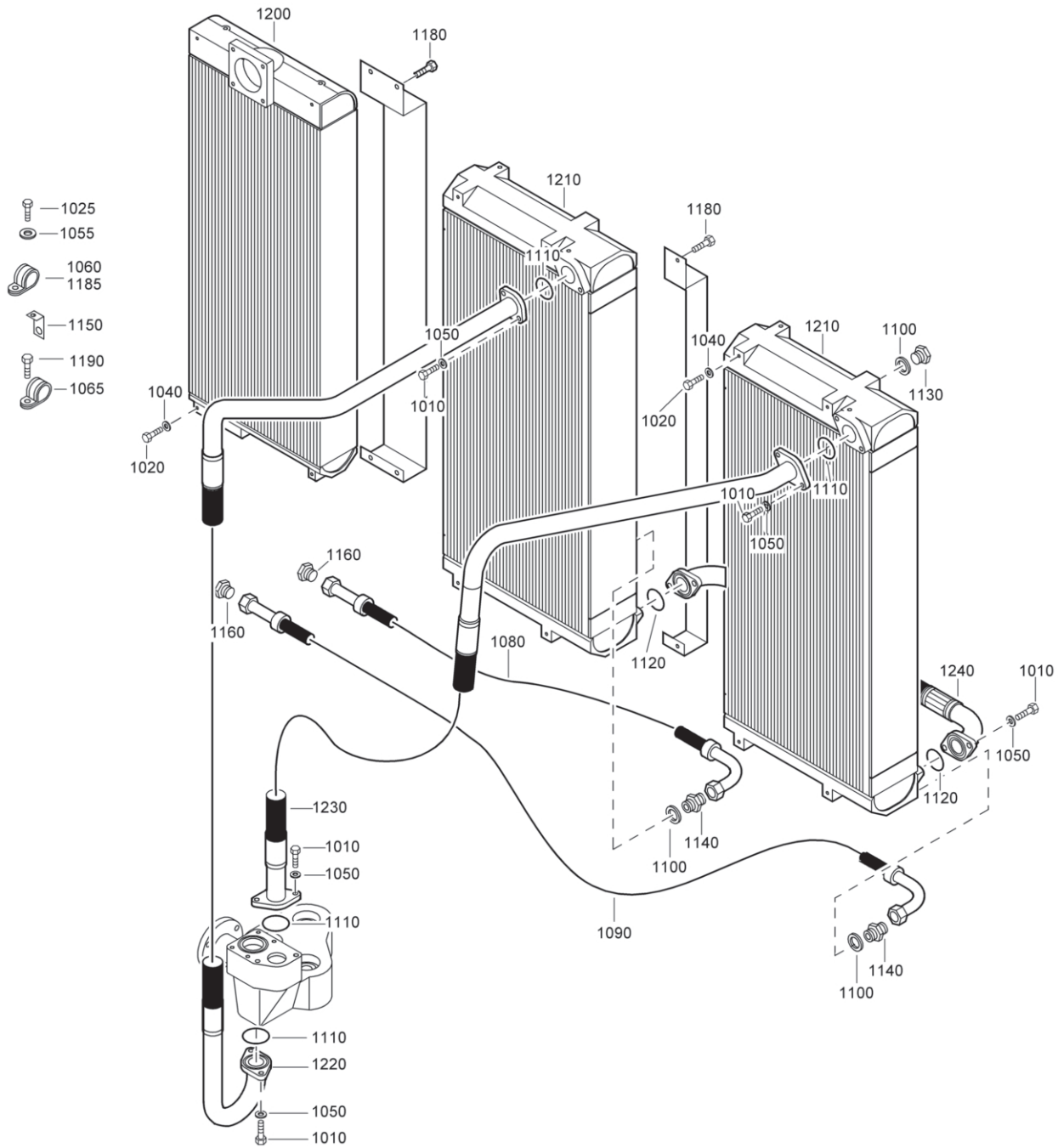


Air outlet

12

Ref.	Partnumber	Qty	Name	Remarks	Ref.	Partnumber	Qty	Name	Remarks
1005	0147 1323 03	1	Hexagon bolt			1092 0033 11		G 132/160 VSD	
1010	0147 1369 03	4	Hexagon bolt		1095	1619 2766 00	2	Hexagon bolt	
1015		2	Hexagon bolt		1096	1619 5337 01	5	Hexagon bolt	
	0147 1499 03		G 110 VSD		1097	0301 2344 00	1	Washer	
	0147 1501 03		G 132/160 VSD		1100	1619 5337 01	5	Hexagon bolt	
1020	0211 1401 03	4	Hex. sock. screw		1115	1092 0024 07	1	Support	
1025	0301 2344 00	1	Washer		1120	1614 9299 00	1	Support	
1030	0291 1114 00	2	Locknut		1125	0147 1326 03	2	Hexagon bolt	
1035	0300 0276 03	4	Washer		2000		1	Pipe	
1040	0301 2344 00	4	Washer					CE	
1042	0346 1000 27	1	Pipe clamp			1092 1202 85		G 110 VSD	
1045	0301 2358 00	4	Washer			1092 1202 92		G 110 VSD W	
1050	0653 1062 00	1	Flat gasket			1092 1202 91		G 132/160 VSD	
1055		1	O-ring			1621 2048 00		G 132/160 VSD W	
	0663 2107 94		G 110 VSD					Other	
	0663 2109 69		G 132/160 VSD			1614 9461 00		G 110 VSD	
1060	0686 3716 01	1	Plug			1621 2060 00		G 110 VSD W	
1065	1092 0030 23	1	Support			1614 9450 00		G 132/160 VSD	
1070	1614 8926 00	4	Absorber			1092 1202 99		G 132/160 VSD W	
1080		1	Pipe		2005	1614 9114 00	2	Joint set G 110 VSD	
	1614 9117 00		G 110 VSD			1614 9115 00	• 1	Joint	
	1614 9066 00		G 132/160 VSD			1614 9116 00	• 1	Ring	
1085	1619 2766 00	2	Hexagon bolt			1614 9118 00	• 2	Bracket	
1090		1	Pipe		2005	1614 9063 00	2	Joint set G 132/160 VSD	
			CE			1614 9064 00	• 1	Joint	
	1092 1202 78		G 110 VSD			1614 9065 00	• 1	Ring	
	1092 1202 88		G 110 VSD W			1614 9067 00	• 2	Bracket	
			ASME		3010		1	Water separator	
	1092 0033 10		G 110 VSD					CE	
	1092 0033 11		G 110 VSD W			1092 1209 00		G 110 VSD	
			MOM/ML/AS1210			1092 1210 80		G 132/160 VSD	
	1614 9719 00		G 110 VSD					Other	
	1614 9721 00		G 110 VSD W			1613 9370 80		G 110 VSD	
						1613 9463 80		G 132/160 VSD	

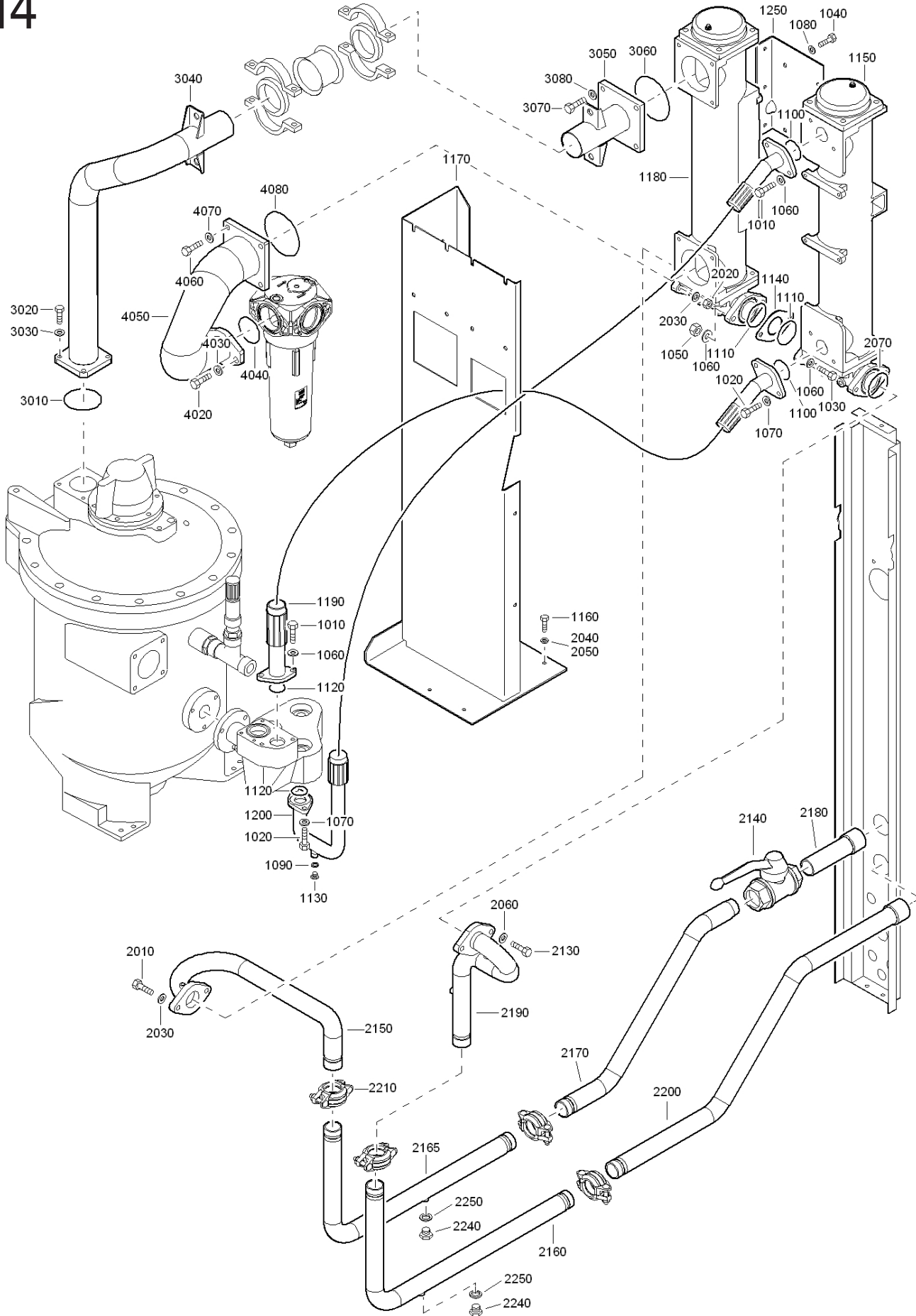
13



Coolers - Aircooled

Ref.	Partnumber	Qty	Name	Remarks	Ref.	Partnumber	Qty	Name	Remarks
1010	0147 1323 03	12	Hexagon bolt		1185	1619 2861 01	1	Clamp	
1020	0147 1362 03	12	Hexagon bolt		1190	1619 5337 01	1	Hexagon bolt	
1025	0147 1475 03	2	Hexagon bolt		1200		1	Aftercooler	
1040	0300 8019 00	12	Washer					CE	
1050	0301 2344 00	12	Washer		1092 1203 38			G 110 VSD	
1055	0301 2378 00	1	Washer		1092 1203 39			G 132/160 VSD	
1060	0346 1000 15	2	Pipe clamp					Other	
1065	0346 1012 44	1	Pipe clamp		1621 5363 00			G 110 VSD	
1080		1	Hose assembly		1621 4110 00			G 132/160 VSD	
	0574 8235 32		G 110 VSD		1210		2	Oil cooler	
	0574 8235 37		G 132/160 VSD			1621 4112 00		G 110 VSD	
1090		1	Hose assembly			1621 4111 00		G 132/160 VSD	
	0574 8235 42		G 110 VSD		1220		1	Hose assembly	
	0574 8235 45		G 132/160 VSD			1614 8959 00		G 110 VSD	
1100	0661 1000 27	4	Seal washer			1621 9139 00		G 132/160 VSD	
1110	0663 2109 68	4	O-ring		1230		1	Hose assembly	
1120	0663 2109 68	2	O-ring			1092 0035 19		G 110 VSD	
1130	0686 3716 02	2	Plug			1621 9137 00		G 132/160 VSD	
1140	1079 5840 15	2	Nipple		1240		1	Hose	
1150	1092 0074 00	3	Bracket			1621 9636 00		G 110 VSD	
1160	1614 9252 00	2	Plug			1621 9138 00		G 132/160 VSD	
1180	1619 2766 00	5	Hexagon bolt						

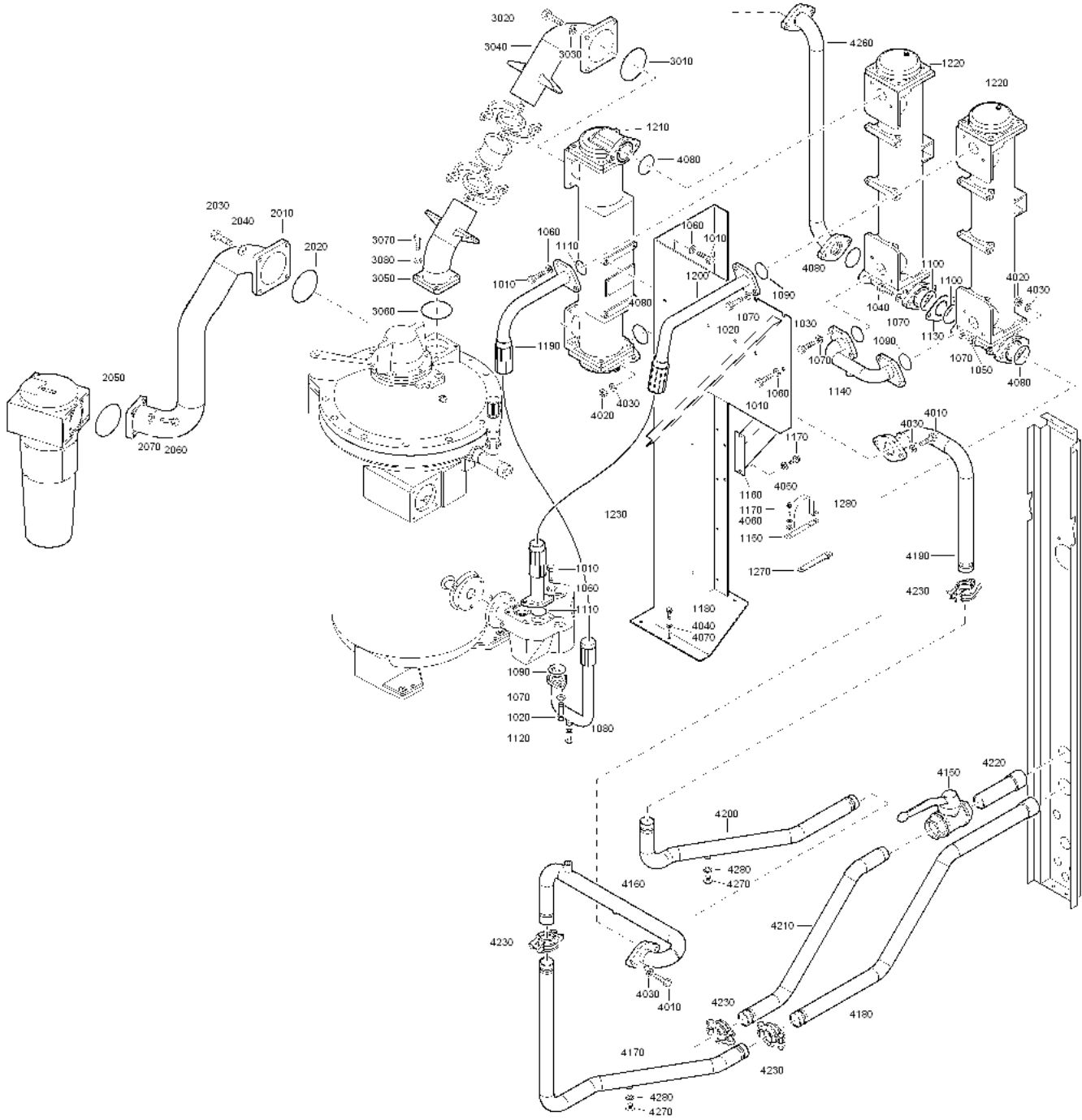
14



Coolers - Watercooled - G 110 VSD

Ref.	Part number	Qty	Name	Remarks	Ref.	Part number	Qty	Name	Remarks
1 010	0147 1362 03	12	Hexagon bolt		2 160	1092 1200 32	1	Pipe	
1 020	0147 1401 03	4	Hexagon bolt		2 165	1092 1200 33	1	Pipe	
1 030	0147 1407 03	2	Hexagon bolt		2 170	1092 1200 28	1	Pipe	
1 040	0147 1474 03	2	Hexagon bolt		2 180		1	Pipe	
1 050	0266 2112 00	2	Nut			1092 0031 61		CE/ML/AS1210/MOM	
1 060	0301 2344 00	12	Washer			1092 0033 13		ASME	
1 070	0301 2358 00	8	Washer		2 190	1092 0031 62	1	Pipe	
1 080	0301 2378 00	2	Washer		2 200		1	Pipe	
1 090	0661 1000 25	1	Seal washer			1092 1200 29		CE/ML/AS1210/MOM	
1 100	0663 2106 11	2	O-ring			1092 1204 59		ASME	
1 110	0663 2106 12	2	O-ring		2 210	0634 1000 27	4	Victaulic coupling	
1 120	0663 2109 68	2	O-ring		2 240	0686 3716 35	2	Plug	
1 130	0686 3716 01	1	Plug		2 250	0661 1000 29	2	Seal washer	
1 140	1614 6632 00	1	Plate		3 010	0663 2106 17	1	O-ring	
1 150	1614 8661 08	1	Oil cooler		3 020	0147 1363 03	4	Hexagon bolt	
1 160	1619 5337 01	7	Hexagon bolt		3 030	0301 2344 00	4	Seal washer	
1 170	1092 0018 14	1	Support		3 040		1	Pipe	
1 180		1	Aftercooler			1092 1209 00		CE	
	1092 1203 31		CE			1621 2328 00		Other	
	1621 2094 08		Other		3 050		1	Pipe	
1 190	1621 4858 00	1	Hose assembly			1092 1202 79		CE	
1 200	1621 4859 00	1	Hose assembly			1092 0005 79		Other	
1 250	1621 2096 00	1	Support		3 060	0663 2106 20	1	O-ring	
			Water connection		3 070	0147 1402 03	4	Hexagon bolt	
2 010	0147 1405 03	4	Hexagon bolt		3 080	0301 2344 00	4	Seal washer	
2 020	0266 2112 00	4	Nut		4 020	0147 1476 03	2	Hexagon bolt	
2 030	0301 2358 00	4	Washer		4 030	0301 2378 00	2	Seal washer	
2 040	0661 1000 24	1	Seal washer		4 040	0663 2107 94	1	O-ring	
2 050	0661 1000 25	2	Seal washer		4 050		1	Pipe	
2 060	0661 1000 29	2	Seal washer			1092 1202 81		CE	
2 070	0663 2106 12	2	O-ring			1092 0005 80		Other	
2 130	1619 5337 01	2	Hexagon bolt		4 060	0147 1364 03	4	Hexagon bolt	
2 140	1619 6153 08	1	Ball valve		4 070	0301 2344 00	4	Seal washer	
2 150	1092 0031 58	1	Pipe		4 080	0663 2106 15	1	O-ring	

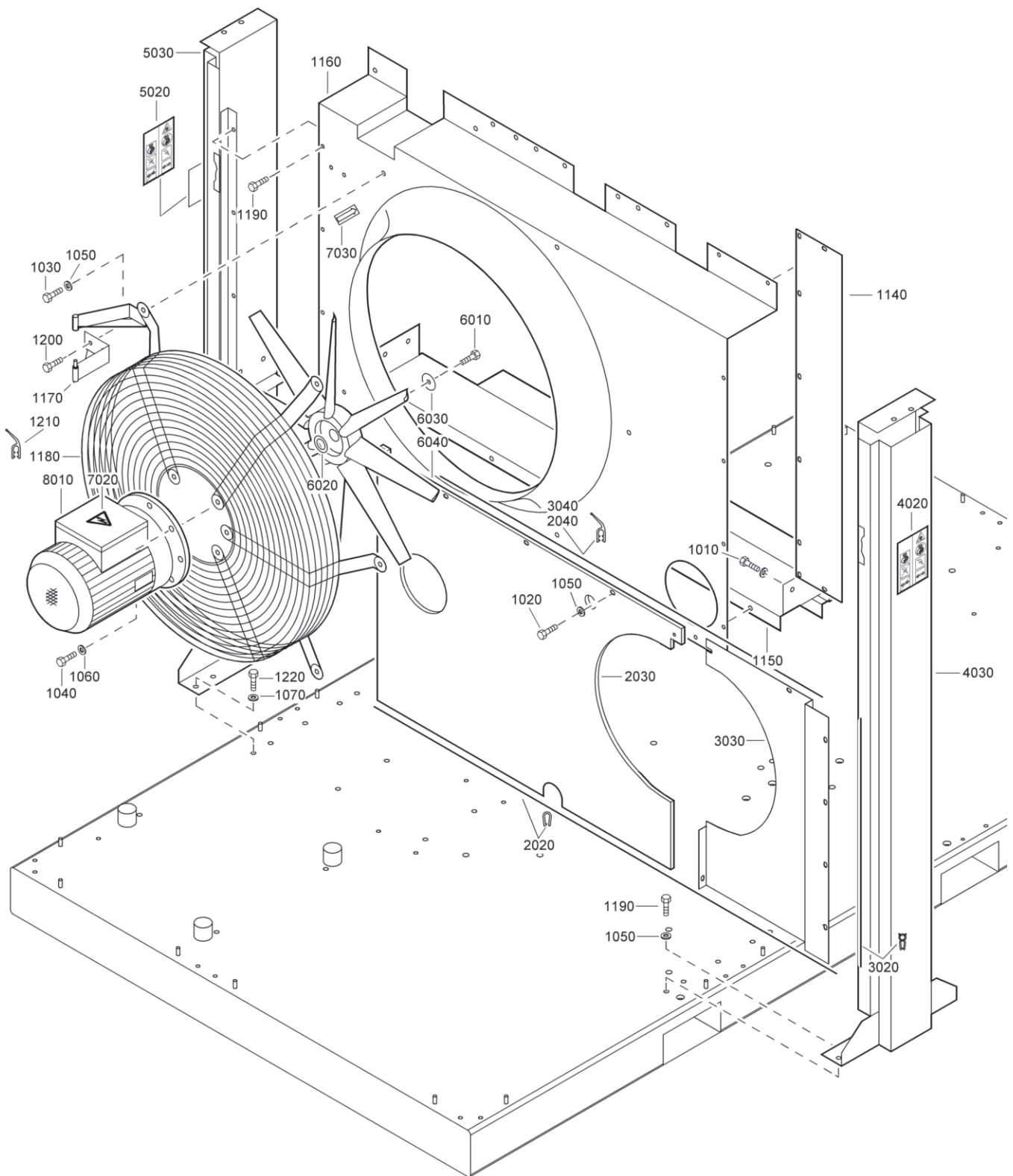
15



Coolers - Watercooled - G 132/160 VSD

Ref.	Part number	Qty	Name	Remarks	Ref.	Part number	Qty	Name	Remarks
1 010	0147 1362 03	16	Hexagon bolt		3 040		1	Pipe	
1 020	0147 1401 03	4	Hexagon bolt			1092 1207 00		CE	
1 030	0147 1402 03	4	Hexagon bolt			1621 2046 00		Other	
1 040	0147 1407 03	2	Hexagon bolt		3 050		1	Pipe	
1 050	0266 2112 00	2	Nut			1092 1202 86		CE	
1 060	0301 2344 00	16	Washer			1621 2047 00		Other	
1 070	0301 2358 00	12	Washer		3 060	0663 2106 17	1	O-ring	
1 080	0661 1000 25	1	Seal washer		3 070	0147 1363 03	4	Hexagon bolt	
1 090	0663 2106 11	4	O-ring		3 080	0663 2106 20	4	seal washer	
1 100	0663 2106 12	2	O-ring					Water connection	
1 110	0663 2109 68	2	O-ring		4 010	0147 1405 03	8	Hexagon bolt	
1 120	0686 3716 01	1	Plug		4 020	0266 2112 00	8	Nut	
1 130	1614 6632 00	1	Plate		4 030	0301 2358 00	10	Washer	
1 140	1614 6634 00	1	Pipe		4 040	0661 1000 24	1	Seal washer	
1 150	1614 9299 00	1	Support		4 050	0661 1000 25	1	Seal washer	
1 160	1614 9583 00	1	Support		4 060	0661 1000 25	1	Seal washer	
1 170	1619 2766 00	4	Hexagon bolt		4 070	0661 1000 29	1	Seal washer	
1 180	1619 5337 01	4	Hexagon bolt		4 080	0663 2106 12	4	O-ring	
1 190	1621 2039 00	1	Hose assembly		4 150	1619 6153 08	1	Ball valve	
1 200	1621 2040 00	1	Hose assembly		4 160	1092 0031 68	1	Pipe	
1 210		1	Aftercooler		4 170	1092 1200 31	1	Pipe	
	1092 1203 38		CE		4 180		1	Pipe	
	1621 2050 08		Other			1092 1200 29		CE/ML/AS1210/MOM	
1 220	1621 4850 08	2	Oil cooler			1092 1204 59		ASME	
1 230	1092 0018 13	1	Support		4 190	1092 0031 64	1	Pipe	
1 270	1092 5690 00	1	Support		4 200	1092 1200 30	1	Pipe	
1 280	1614 9299 00	1	Support		4 210	1092 1200 28	1	Pipe	
2 010		1	Pipe		4 220		1	Pipe	
	1092 1202 93		CE			1092 0031 61		CE/ML/AS1210/MOM	
	1621 2048 00		Other			1092 0033 13		ASME	
2 020	0663 2106 15	1	O-ring		4 230	0634 1000 27	4	Victaulic coupling	
2 030	0147 1364 03	4	Hexagon bolt		4 260	1621 4847 00	1	Pipe	
2 040	0301 2344 00	4	Seal washer		4 270	0686 3716 35	2	Plug	
3 010	0663 2106 20	1	O-ring		4 280	0661 1000 29	2	Seal washer	
3 020	0147 1402 03	4	Hexagon bolt						
3 030	0301 2344 00	4	seal washer						

16

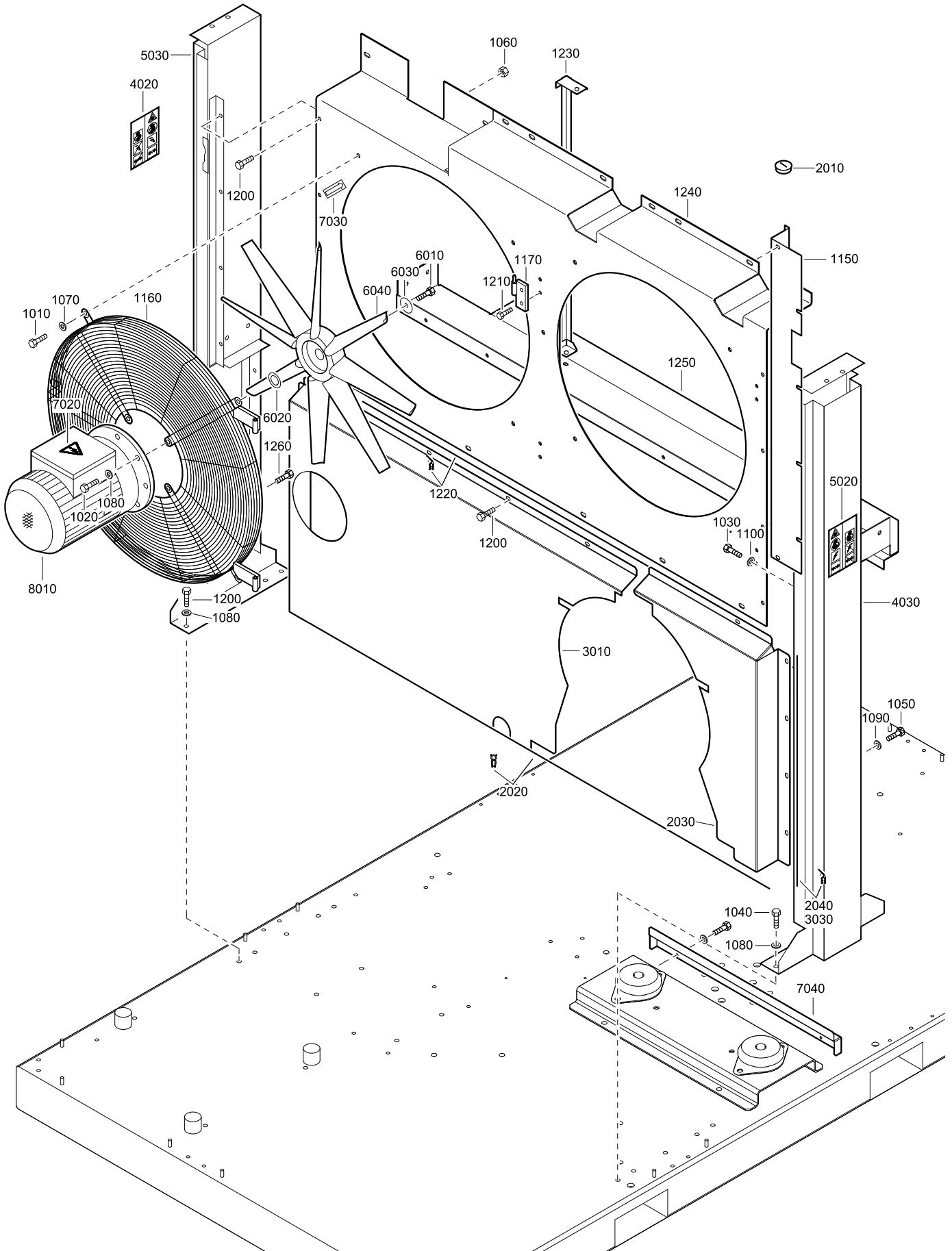


Fan and cooling duct plates - Aircooled - G 110 VSD

16

Ref.	Partnumber	Qty	Name	Remarks	Ref.	Partnumber	Qty	Name	Remarks
			Cooler plates			1092 0038 20	1	Beam	2)
1 010	0147 1360 03	4	Hexagon bolt		5 020	1092 0030 92	• 1	Warning label	
1 020	0147 1360 03	10	Hexagon bolt		5 030	1092 0038 21	• 1	Beam	
1 030	0147 1363 03	5	Hexagon bolt					Fan arrangement	
1 040	0147 1401 03	4	Hexagon bolt		6 010	0147 1363 03	1	Hexagon bolt	
1 050	0301 2344 00	14	Washer		6 020	1092 0050 21	2	Washer	
1 060	0301 2358 00	4	Washer		6 030	1614 6456 00	1	Washer	
1 070	1088 0019 02	5	Contact washer		6 040		1	Fan	
1 140	1092 0024 29	1	Plate			1092 0050 09		50Hz	
1 150	1092 0024 38	1	Support			1092 0050 08		60Hz	
1 160	1092 0024 39	1	Fan cowl		7 020	1088 1001 01	1	Warning label	
1 170	1614 9762 00	2	Hinge		7 030	1503 0786 00	1	Rotation arrow	
1 180	1092 0022 24	1	Fan guard				1	Fan motor	
1 190	1619 2766 00	36	Hexagon bolt		8 010		1	Motor	
1 200	1619 5337 01	4	Hexagon bolt			1092 0916 31		CE /400/50	
1 210	1619 6449 00	AR	Seal			1092 1251 00		IEC /380/50	
1 220	0147 1320 03	8	Hexagon bolt			1092 0916 27		IEC /440/60	
	1092 1200 87	1	Baffle					Lined with / Bekleed met / Beklädd med / Ausgekleidet mit / Kledd med / Vuorattu :	
2 020	1503 1056 00	• 2	Seal					Garnir de / Rivestido de / Allineato con /	
2 030	1092 1200 88	• 1	Baffle					Foret med / Revestido com /	
2 040	1619 6449 00	• AR	Seal					Kledd med / Vuorattu :	
	1092 1200 85	1	Baffle						
3 020	1202 6584 00	• AR	Seal						
3 030	1092 1200 86	• 1	Baffle						
3 040	1619 6449 00	• AR	Seal		1)	Foam: 0395 6001 69 (AR) 50 x 2040 x 1650			
	1092 0038 17	1	Beam	1)	2)	Foam: 0395 6001 69 (AR) 30 x 2040 x 1650			
4 020	1092 0030 92	• 1	Warning label						
4 030	1092 0038 18	• 1	Beam						

17

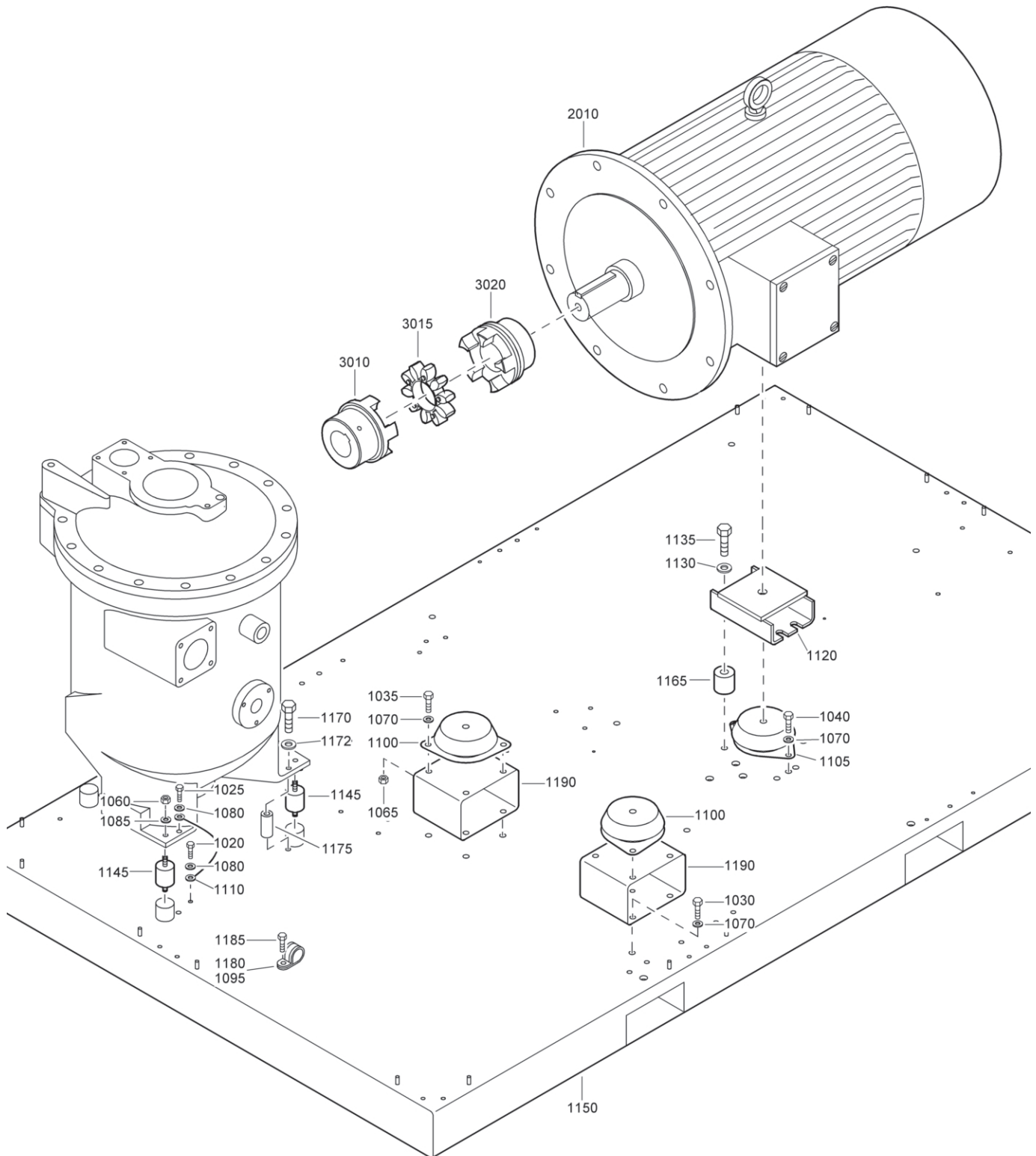


Fan and cooling duct plates - Aircooled - G 132/160 VSD

17

Ref.	Partnumber	Qty	Name	Remarks	Ref.	Partnumber	Qty	Name	Remarks
			Cooler plates						
1010	0147 1322 03	2	Hexagon bolt		3030	1619 6449 00	• AR	Seal	
1020	0147 1360 03	4	Hexagon bolt			1092 0038 17	1	Beam	1)
1030	0147 1360 03	10	Hexagon bolt		4020	1092 0030 92	• 1	Warning label	
1040	0147 1363 03	10	Hexagon bolt		4030	1092 0038 18	• 1	Beam	
1050	0147 1401 03	8	Hexagon bolt			1092 0038 20	1	Beam	2)
1060	0291 1110 00	2	Locknut		5020	1092 0030 92	• 1	Warning label	
1070	0301 2335 00	2	Washer		5030	1092 0038 21	• 1	Beam	
1080	0301 2344 00	14	Washer					Fan arrangement	
1090	0301 2358 00	8	Washer		6010	0147 1363 03	2	Hexagon bolt	
1100	1088 0019 02	10	Contact washer		6020	1092 0050 22	2	Washer	
1150	1614 9216 80	1	Plate		6030	1614 6456 00	2	Washer	
1160	1092 0022 25	2	Fan guard		6040		2	Fan	
1170	1614 9405 00	4	Hinge			1092 0050 09		50Hz	
1200	1619 2766 00	35	Hexagon bolt			1092 0053 96		60Hz	
1210	1619 5337 01	8	Hexagon bolt		7020	1088 1001 01	2	Warning label	
1220	1619 6449 00	AR	Seal		7030	1503 0786 00	2	Rotation arrow	
1230	1621 9526 00	1	Plate		7040	1092 1200 69	1	Baffle	
1240	1621 9527 00	1	Fan cowl					Fan motor	
1250	1621 9528 00	1	Support		8010		2	Motor	
1260	0147 1320 03	8	Hexagon bolt			1092 0916 32		CE/400/50	
	1092 1200 50		Baffle			1092 1251 01		IEC/380/50	
2010	1088 0803 26	• 2	Grommet			1092 0916 27		IEC/440/60	
2020	1202 6584 00	• AR	Seal					Garnir de / Rivestido de / Allineato con / Foret med /	
2030	1092 1200 51	• 1	Baffle					Revestido com / Kledd med / Vuorattu :	
2040	1619 6449 00	• AR	Seal						
	1092 1200 53		Baffle		1)			Foam: 0395 6001 69 (AR) 50 x 2040 x 1650	
3010	1092 1200 52	• 1	Baffle		2)			Foam: 0395 6001 69 (AR) 30 x 2040 x 1650	

18

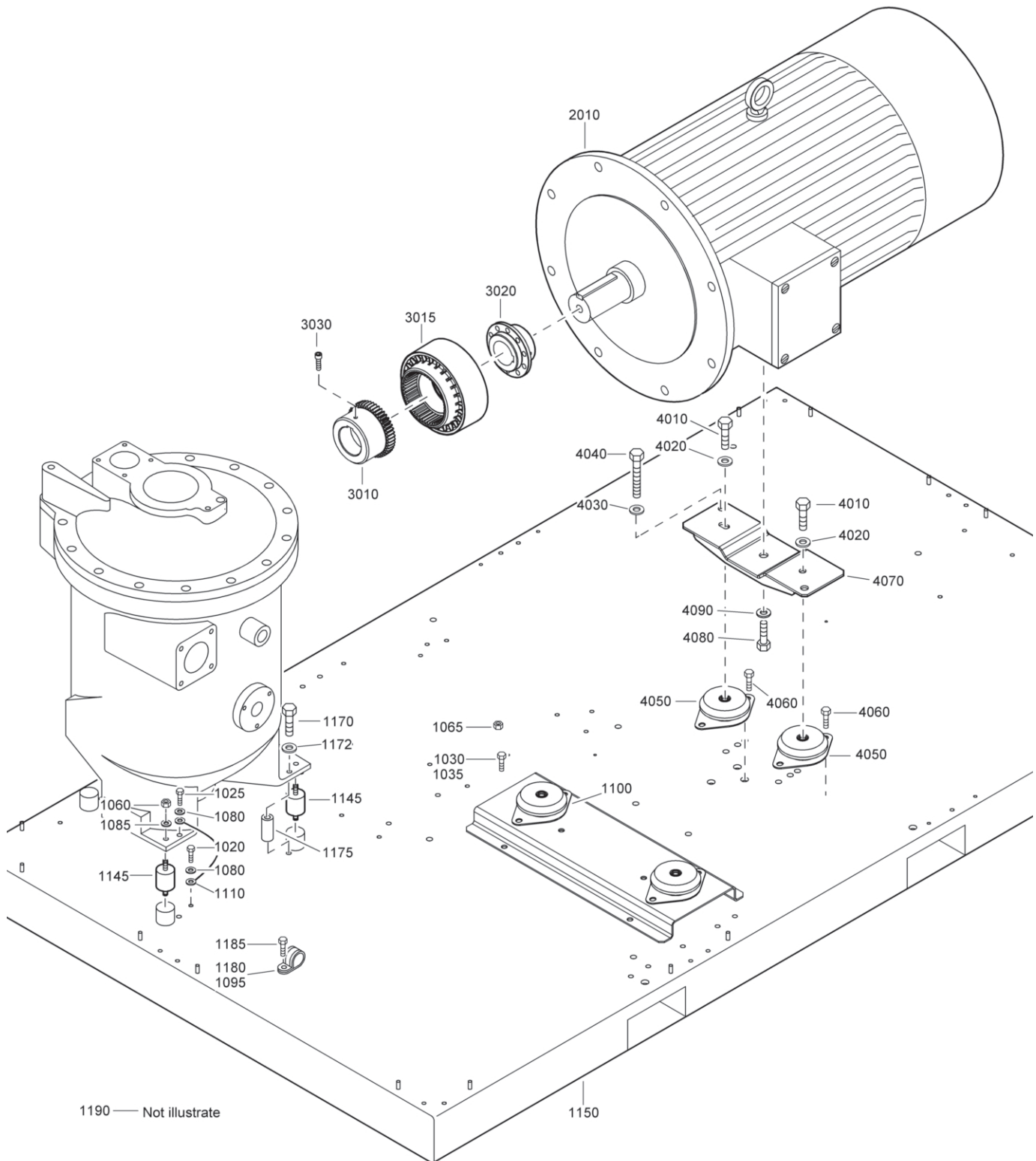


Frame and motor - G 110 VSD

18

Ref.	Partnumber	Qty	Name	Remarks	Ref.	Partnumber	Qty	Name	Remarks
			Frame		1130	0301 2378 00	2	Washer	
			G 110 VSD		1135	0147 1491 03	2	Hexagon bolt	
1 020	0147 1322 03	1	Hexagon bolt		1145	1614 9542 00	3	Buffer	
1 025	0147 1358 03	1	Hexagon bolt		1150	1092 0038 33	1	Frame	
1 030	0147 1400 03	6	Hexagon bolt		1165	1092 0023 13	2	Spacer	
1 035	0147 1401 03	4	Hexagon bolt		1170	0147 1377 03	3	Hexagon bolt	
1 040	0147 1411 03	2	Hexagon bolt		1172	0301 2344 00	3	Washer	
1 060	0266 2111 00	3	Nut		1175	1092 0178 00	3	Support	
1 065	0266 2112 00	4	Nut		1180	0346 1012 44	1	Pipe clamp	
1 070	0301 2358 00	18	Washer		1185	1619 5337 01	1	Hexagon bolt	
1 080	1088 0019 01	1	Contact washer		1190	1092 0020 33	2	Support	
1 085	1088 0019 02	1	Contact washer		2010	1092 0920 88	1	Motor	
1 095	0346 1005 19	2	Pipe clamp					Coupling	
1 100	3175 1782 00	2	Anti pad					G 110 VSD	
1 105	1020 5072 00	1	Rubber buffer		3010	1623 0377 00	1	Coupling drive	
1 110	1092 0043 00	1	Cable		3015	1623 0378 00	1	Absorber	
1 120	1092 0022 22	1	Support		3020	1623 0379 01	1	Coupling drive	

19

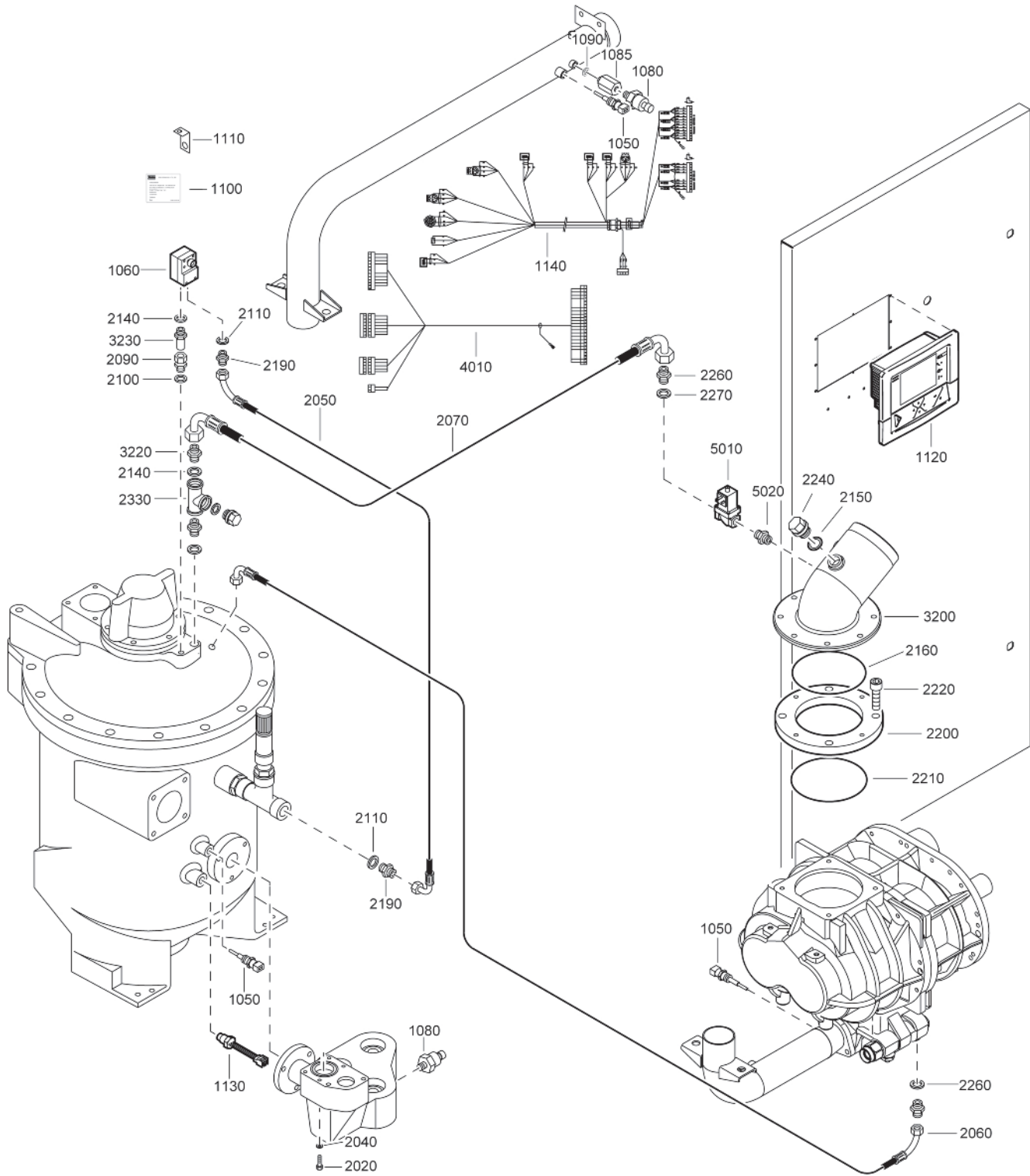


Frame and motor - G 132/160 VSD

19

Ref.	Partnumber	Qty	Name	Remarks	Ref.	Partnumber	Qty	Name	Remarks
			Frame		1 185	1619 5337 01	1	Hexagon bolt	
			G 132/160 VSD		1 190	1092 0020 33	2	Support	
1020	0147 1322 03	1	Hexagon bolt		2010	1092 0913 88	1	Motor	
1025	0147 1358 03	1	Hexagon bolt					Coupling	
1030	0147 1400 03	6	Hexagon bolt					G 132/160 VSD	
1035	0147 1401 03	4	Hexagon bolt		3010	1623 7131 00	1	Coupling element	
1060	0266 2111 00	3	Nut		3015	1623 3571 00	1	Absorber	
1065	0266 2112 00	4	Nut		3020	1623 3569 02	1	Coupling drive	
1080	1088 0019 01	1	Contact washer		3030	0211 1400 00	10	Screw	
1085	1088 0019 02	1	Contact washer		4010	0147 1475 03	2	Hexagon bolt	
1095	0346 1005 19	2	Pipe clamp		4020	0301 2344 00	2	Washer	
1100	3175 1782 00	2	Anti pad		4030	0301 2344 00	2	Washer	
1110	1092 0043 00	1	Cable		4040	0147 1377 03	2	Hexagon bolt	
1145	1614 9542 00	3	Buffer		4050	1092 0003 81	2	Rubber buffer	
1150	1092 0038 33	1	Frame		4060	0147 1411 03	4	Hexagon bolt	
1170	0147 1377 03	3	Hexagon bolt		4070	1092 1200 58	1	Support	
1172	0301 2344 00	3	Washer		4080	0147 1549 03	1	Hexagon bolt	
1175	1092 0178 00	3	Support		4090	0301 2358 00	4	Washer	
1180	0346 1012 44	1	Pipe clamp						

20

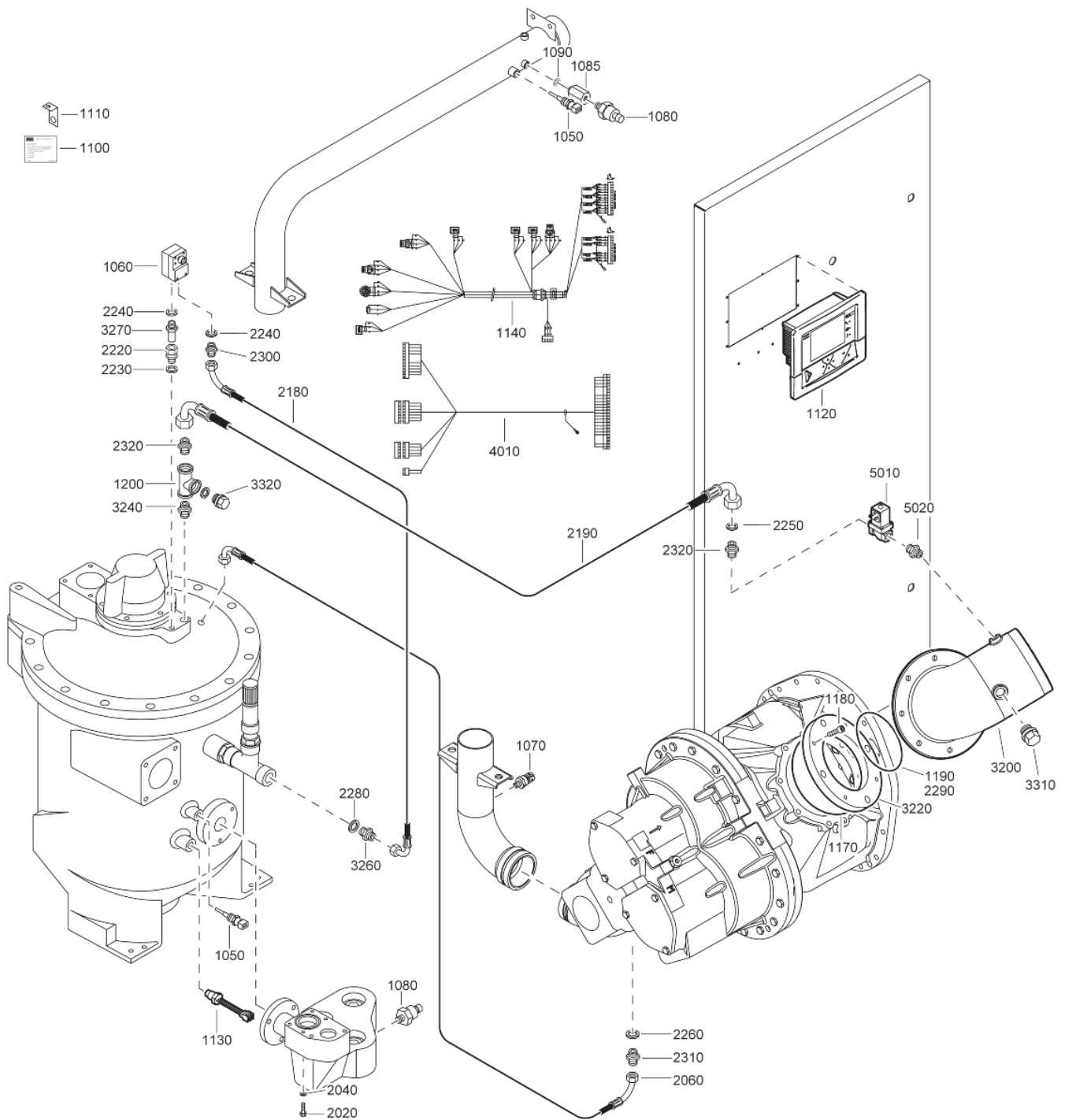


Regulating system - G 110 VSD

20

Ref.	Partnumber	Qty	Name	Remarks	Ref.	Partnumber	Qty	Name	Remarks
			Control system		2100	0653 0500 02	1	Flat gasket	
1050	1089 0574 70	4	Temperature sensor		2110	0661 1000 24	2	Seal washer	
1060	1089 9625 01	1	Dp transducer		2140	0661 1000 29	2	Seal washer	
1080	1089 9625 33	2	Pressure transducer		2150	0661 1000 30	1	Seal washer	
1085	1621 1247 80	1	Nipple		2160	0663 2107 37	1	O-ring	
1090	0661 1000 25	1	Seal washer		2190	1079 5840 29	2	Nipple	
1100	1092 0150 00	1	Label		2200	1092 0029 97	1	Flange	
1110	1614 9406 00	1	Bracket		2210	0663 2109 71	1	O-ring	
1120	1900 5200 00	1	Electronikon		2220	0211 1362 03	4	Hex. sock. screw	
1130	1089 0637 16	1	Temperature switch		2230	0564 0000 34	1	Tee	
1140		1	Wire harness		2240	0571 0035 05	1	Plug	
	1092 1277 03		CE		2260	0603 4105 03	1	Nipple	
	1092 1200 62		Other		2270	0653 1124 00	1	Flat gasket	
			Regulation		3200	1092 1200 17	1	Inlet housing	
2020	0147 1364 03	4	Hexagon bolt		3220	1614 9144 00	1	Nipple	
2040	0301 2344 00	4	Washer		3230	1092 0008 96	1	Nozzle	
2050	0574 8231 26	2	Hose assembly		4010		1	Wire harness	
2060	0574 9917 15	1	Hose assembly			1092 1277 04		CE	
2070		1	Hose			1092 0050 51		Other	
	1092 0031 38		Aircooled					Solenoid valve	
	1092 0030 26		Watercooled		5010	1089 058003	1	Solenoid valve	
2090	0580 0013 32	1	Coupling		5020	1622 6611 00	1	Nipple	

21

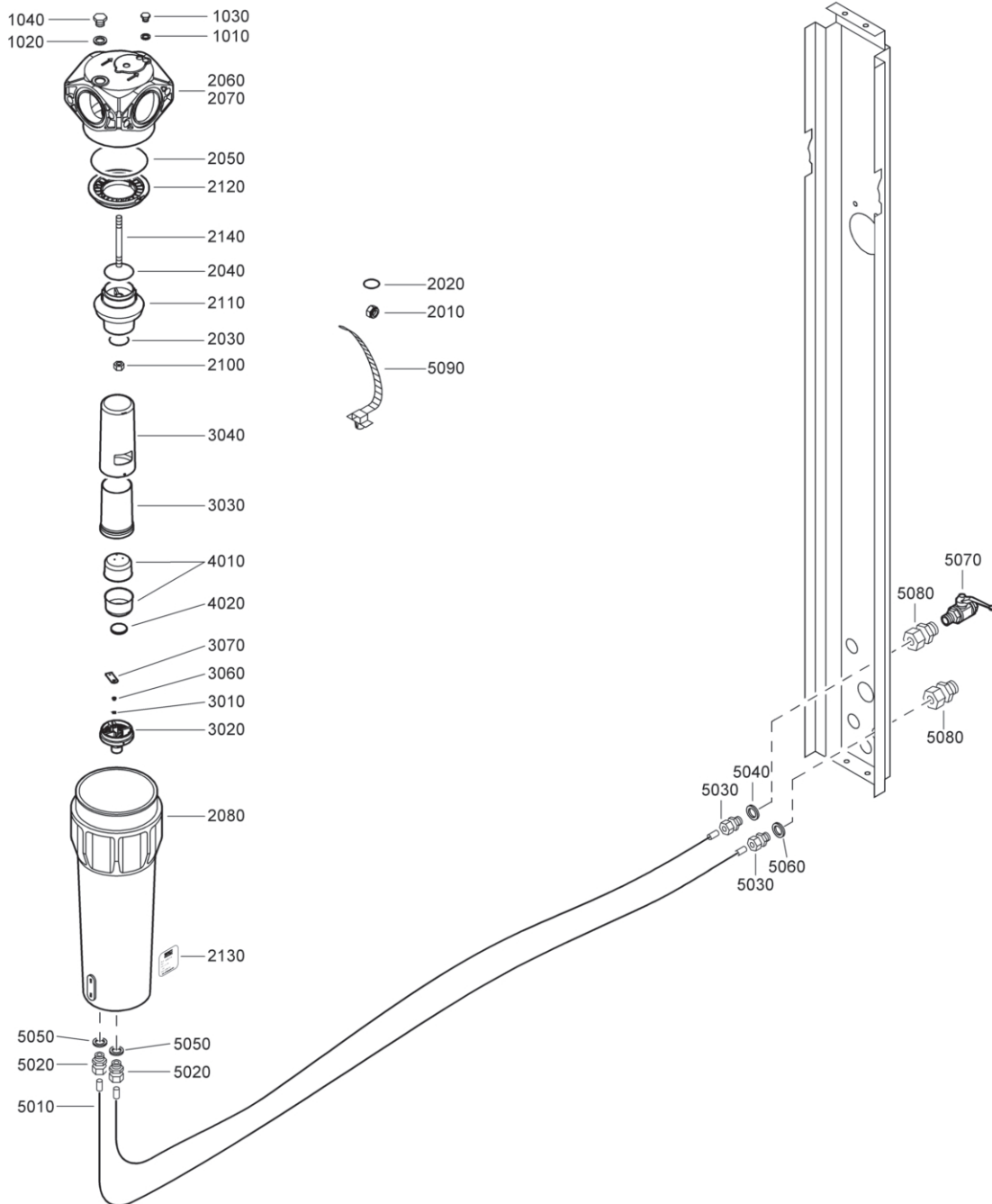


Regulating system - G 132/160 VSD

21

Ref.	Part number	Qty	Name	Remarks	Ref.	Part number	Qty	Name	Remarks
			Control system		2220	0580 0013 32	1	Coupling	
1050	1089 0574 70	4	Temperature sensor		2230	0653 0500 02	1	Flat gasket	
1060	1089 9625 01	1	Dp transducer		2240	0661 1000 24	2	Seal washer	
1070	1089 9625 36	1	Pressure transducer		2250	0661 1000 25	1	Seal washer	
1080	1089 9625 33	2	Pressure transducer		2260	0661 1000 27	1	Seal washer	
1085	1621 1247 80	1	Nipple		2280	0661 1000 30	1	Seal washer	
1090	0661 1000 25	1	Seal washer		2290	0663 2114 23	1	O-ring	
1100	1092 0150 00	1	Label		2300	1079 5840 01	1	Nipple	
1110	1614 9406 00	1	Bracket		2310	1079 5840 19	1	Nipple	
1120	1900 5200 22	1	Elektronikon		2320	1079 5840 29	2	Nipple	
1130	1089 0637 16	1	Temperature switch		3200	1092 1200 18	1	Inlet housing	
1140		1	Wire harness		3220	1092 0030 31	1	Flange	
	1092 1277 03		CE		3240	1092 0032 52	1	Nipple	
	1092 1200 62		Other		3260	1614 9144 00	1	Nipple	
1170	0663 2114 23	1	O-ring	Aircooled	3270	1092 0008 96	1	Nozzle	
1180	0211 1362 03	4	Hex. sock. screw		3300	0661 1000 26	1	Seal washer	
			Aircooled		3310	1092 2106 10	1	Plug	
1190	0663 2114 23	1	O-ring	Aircooled	3320	1092 2106 10	1	Plug	
1200	0564 0000 34	1	Tee		4010	1092 0050 51	1	Wire harness	
1210	0571 0035 05	1	Plug		4010		1	Wire harness	
			Regulation			1092 1277 04		CE	
2020	0147 1364 03	4	Hexagon bolt			1092 0050 51		Other	
2040	0301 2344 00	4	Washer					Solenoid valve	
2060	0574 9917 15	1	Hose		5010	1089 058003	1	Solenoid valve	
2180	1091 6006 00	1	Hose		5020	1622 6611 00	1	Nipple	
2190	1092 0039 00	1	Hose						

22

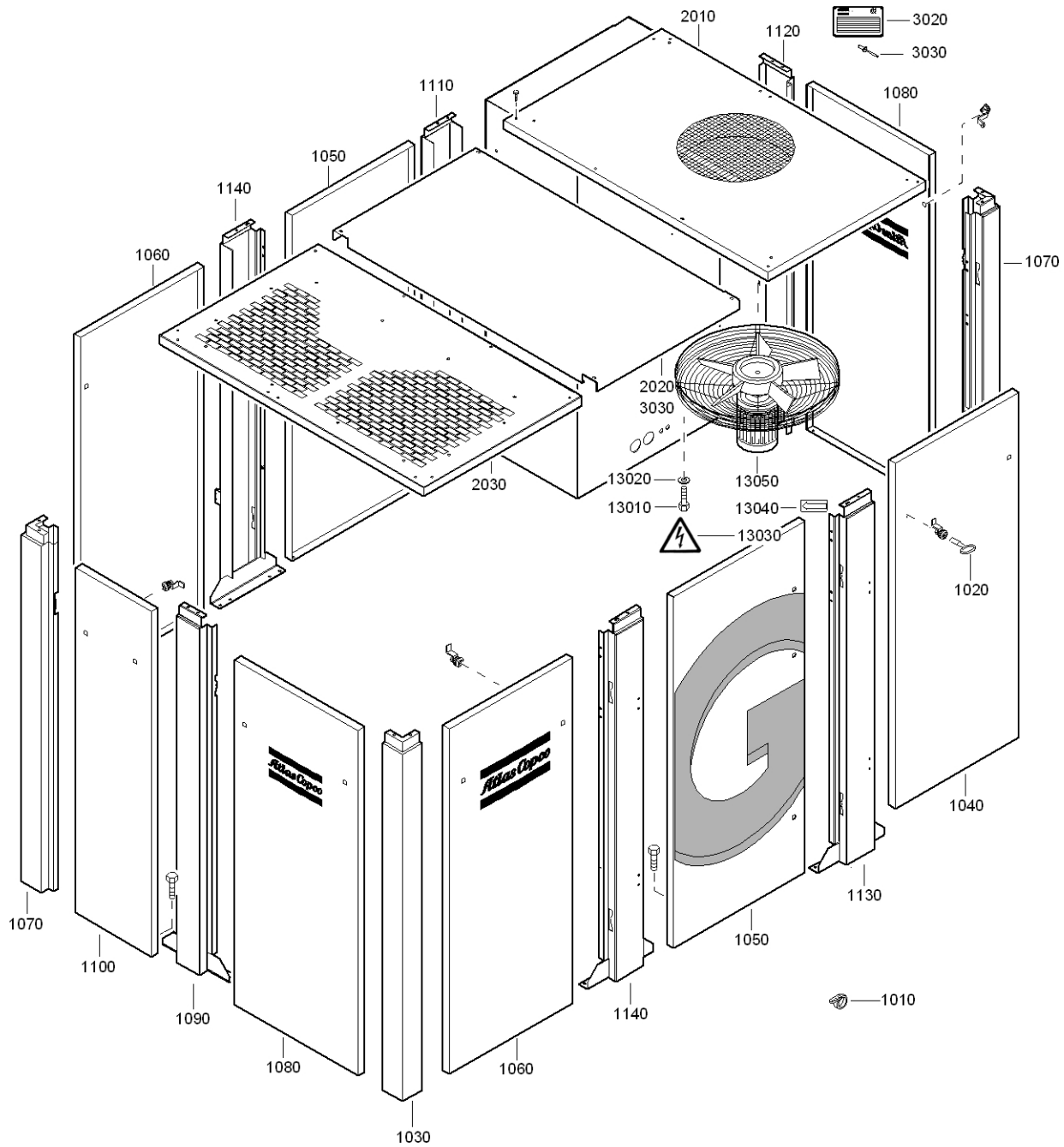


Drain system

22

Ref.	Part number	Qty	Name	Remarks	Ref.	Part number	Qty	Name	Remarks
1010	0653 1062 00	2	Flat gasket		3020	1613 9378 00	• 1	Drain	
1020	0653 1124 00	1	Flat gasket		3030	1613 9379 00	• 1	Housing	
1030	0686 3716 01	2	Plug		3040	1613 9380 00	• 1	Cover	
1040	0686 3716 02	1	Plug		3060	1613 9397 01	• 1	Insert	
			Water separator		3070	1613 9398 00	• 1	Valve disc	
2010	0291 1111 00	1	Locknut			1613 9385 80	• 1	Float assembly	
2020	0663 2111 27	1	O-ring		4010	1613 9385 00	•• 1	Float half	
2030	0663 2133 00	1	O-ring		4020	1613 9386 00	•• 1	Support	
2040	0663 6136 00	1	O-ring					Connections	
2050	0663 6147 00	1	O-ring		5010	0070 6002 06	AR	Plastic tube	
2060	1613 9367 70	1	Head		5020	0581 0000 45	2	Pipe coupling	
2070	1613 9370 00	1	Head		5030	0581 0000 53	2	Pipe coupling	
2080	1613 9371 00	1	Bowl		5040	0653 1062 00	1	Flat gasket	
2100	1613 9381 00	1	Nut		5050	0653 1124 00	2	Flat gasket	
2110	1613 9389 00	1	Clamp		5060	0661 1000 25	1	Seal washer	
2120	1613 9390 00	1	Ring		5070	1092 0017 41	1	Ball valve	
2130	1613 9483 04	1	Label		5080	1614 9934 00	2	Pipe coupling	
2140	1613 9671 00	1	Stud		5090	1621 1091 00	3	Clamp	
	1613 9378 93	1	Drain						
3010	0663 9287 00	• 1	O-ring						

23

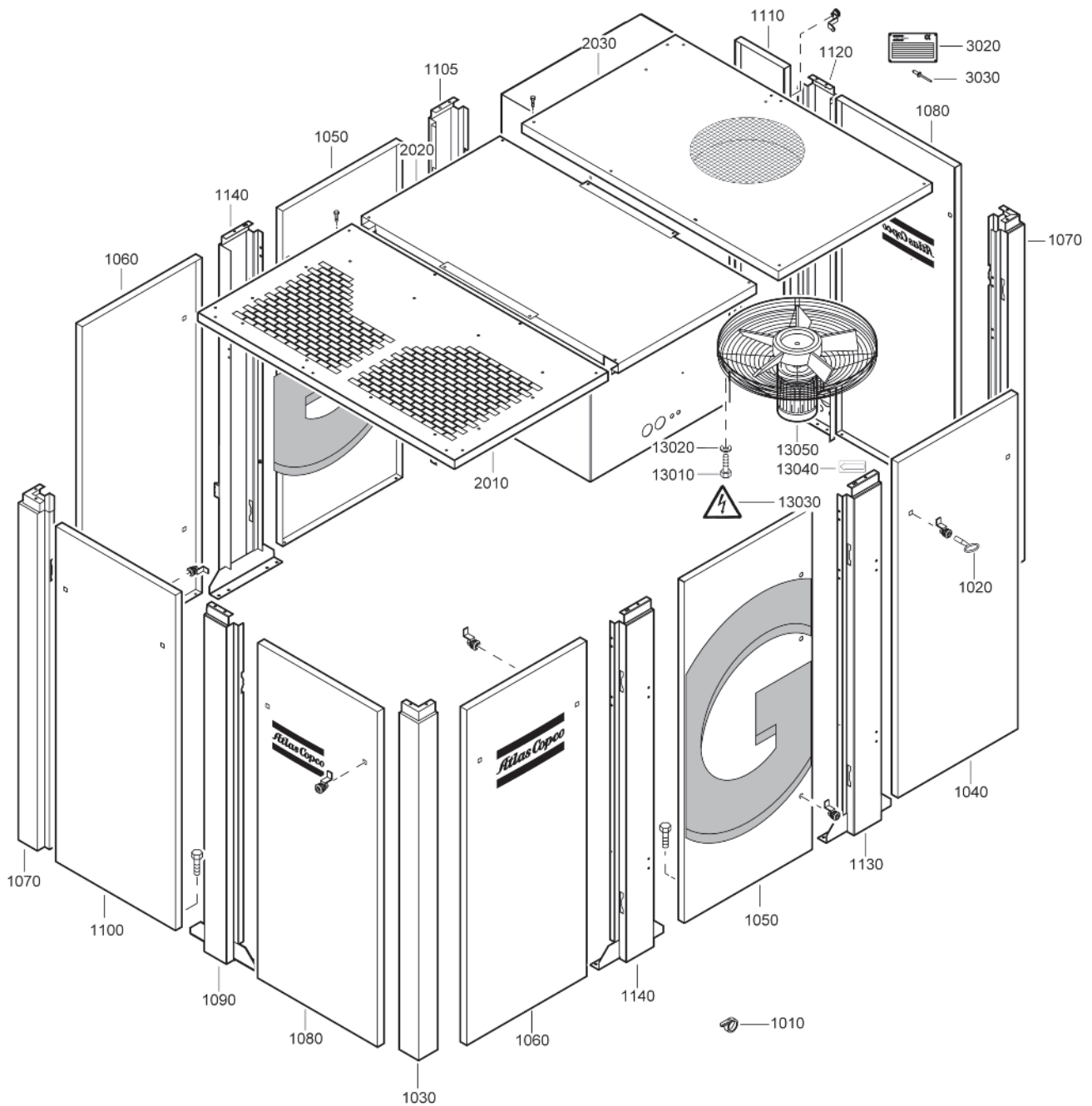


Bodywork - G 110 VSD

23

Ref.	Partnumber	Qty	Name	Remarks	Ref.	Partnumber	Qty	Name	Remarks
1010	1088 1301 03	1	Cable tie			1092 1200 91		Air cooled	
1020	1089 9068 01	1	Key			1092 1200 67		Water cooled	
1030	1092 0038 32	1	Door		2020	1092 0038 62	1	Roof	
1040	1092 0038 01	1	Door		2030		1	Roof	
1050	1092 0038 04	2	Door			1092 0038 60		Air cooled	
1060	1092 0038 41	2	Door			1092 0038 72		Water cooled	
1070	1092 0038 06	2	Stay		3020		1	Dataplate	
1080	1614 9017 80	2	Door			1092 1277 02		CE	
1090	1092 0057 17	2	Stay			1092 0042 32		AS1210/ASME/MOM/ML	
1100	1614 9161 80	1	Door			1092 9181 81		China local	
1110	1092 1200 36	1	Stay		3030	0129 3107 00	4	Blind rivert	
1120		1	Stay					Fan assembly (Water-cooled)	
	1092 1200 89		Air cooled		13010	0147 1250 03	3	Hexagon bolt	
	1092 1200 38		Water cooled		13020	0301 2321 00	3	Washer	
1130	1092 0057 18	1	Stay		13030	1088 1001 01	1	Warning label	
1140		2	Stay		13040	1503 0786 00	1	Rotation arrow	
	1092 0057 18		Watercooled		13050	1092 1202 72	1	Fan	
2010		1	Roof						

24

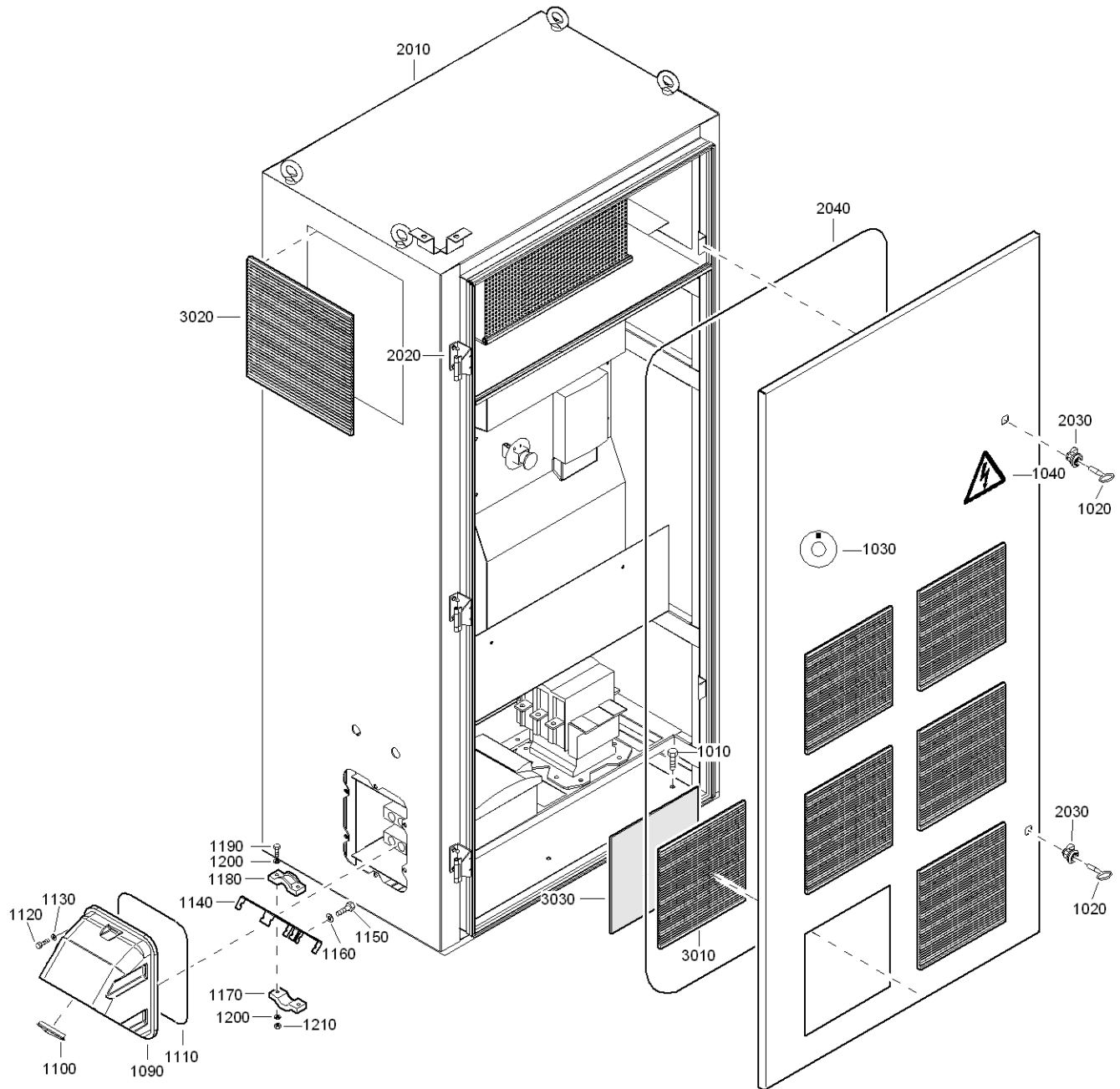


Bodywork - G 132/160 VSD

24

Ref.	Part number	Qty	Name	Remarks	Ref.	Part number	Qty	Name	Remarks
1 010	1088 1301 03	1	Cable tie			1092 0038 66		Aircooled	
1 020	1089 9068 01	1	Key			1092 0038 76		Watercooled	
1 030	1092 0038 32	1	Door		2 020	1092 0038 68	1	Roof	
1 040	1092 0038 01	1	Door		2 030		1	Roof	
1 050	1092 0038 04	2	Door			1092 1200 65		Aircooled	
1 060	1092 0038 41	2	Door			1092 1200 44		Watercooled	
1 070	1092 0038 06	2	Stay		3 020		1	Dataplate	
1 080	1614 9017 80	2	Door			1092 1277 02		CE	
	1614 9017 00	1	Door			1092 0042 32		AS1210/ASME/MOM/ML	
1 090	1092 0057 17	2	Stay			1092 9181 81		China local	
1 100	1614 9017 81	1	Door		3 030	0129 3107 00	4	Blind rivert	
1 105	1092 1200 36	1	Stay					Fan assembly (Water-cooled)	
1 110	1092 1200 55	1	Door		13010	0147 1250 03	3	Hexagon bolt	
1 120		1	Stay		13020	0301 2321 00	3	Washer	
	1092 0032 33		Aircooled		13030	1088 1001 01	1	Warning label	
	1092 0032 35		Watercooled		13040	1503 0786 00	1	Rotation arrow	
1 130	1092 0057 18	1	Stay		13050	1092 0030 93	1	Fan	
1 140		2	Stay						
	1092 0057 18		Watercooled						
2 010		1	Roof						

25

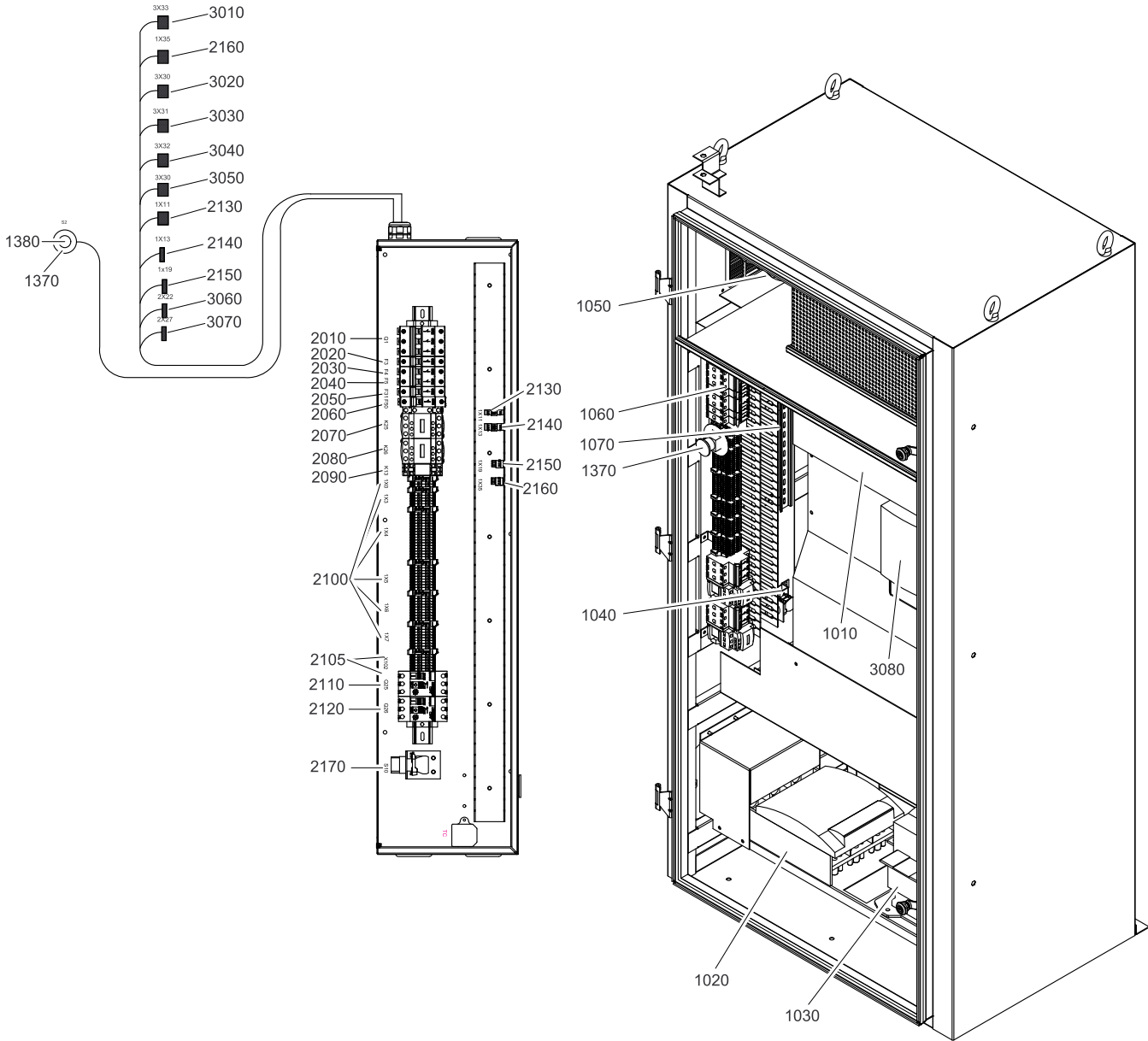


Cubicle box

25

Ref.	Part number	Qty	Name	Remarks	Ref.	Part number	Qty	Name	Remarks
		1	Cubicle		1 170	1614 6562 00	4	Clamp	
1 010	1619 2766 00	6	Bolt		1 180	1614 6563 00	4	Clamp	
1 020	1089 9154 02	2	Key		1 190	0147 1250 03	8	Bolt	
1 030	1621 0478 00	1	Label		1 200	0301 2321 00	8	Washer	
1 040	1088 1001 01	1	Warning mark		1 210	0266 2108 00	8	Nut	
1 090	1621 1235 00	1	Cable box				1	Cubicle ass'y	
1 100	0697 9810 40	4	Plug		2 010	1092 1202 43	1	Cubicle	
1 110	1614 6567 00	1	Seal		2 020	1621 2538 00	3	Hinge	
1 120	0147 1322 03	6	Bolt		2 030	1619 7704 00	2	lock	
1 130	0301 2355 00	6	Washer		2 040	1202 6584 00	AR	Seal	
1 140	1621 1309 00	1	Plate		3 010	1092 1001 68	6	Filter	
1 150	0147 1322 03	2	Bolt		3 020	1092 1202 42	1	Filter	
1 160	0301 2355 00	2	Washer		3 030	1092 1203 33	1	Filter Element	

26



Control panel

26

Ref.	Partnumber	Qty	Name	Remarks	Ref.	Partnumber	Qty	Name	Remarks
1010		1	Frequency converter						
	1092 1200 24		G 110 VSD		2090	1092 1202 57	1	Contactactor	
	1092 1200 25		G 132/160 VSD		2100	1092 1001 88	50	Terminal	
1020	1092 1202 67	1	Fuse holder		2105	1092 1001 89	6	Terminal	
1025	1092 1202 44	3	Fuse		2110		1	Circuit breaker	
1030	1092 1202 45	1	Main contactor			1092 1202 58		G 110 VSDA	
1040	1092 1202 46	1	Transformer			1092 1202 59		G 110/132/160 VSD W	
1050	1092 1200 81	1	Cooling fan			1092 1202 60		G 132/160 VSDA	
1060	1092 1202 47	1	Raceway		2120		1	Circuit breaker	
1070	1900 5200 32	1	IO2			1092 1202 60		G 160 AVSD	
1370	1092 1001 90	1	Emergency stop button		2130	1091 6362 03	1	Connector	
1380	1092 1001 91	1	Contactactor block		2140	1091 6362 02	1	Connector	
2010	1092 1202 48	1	Circuit breaker		2150	1092 1202 61	1	Connector	
2020	1092 1202 49	1	Circuit breaker		2160	1092 1202 62	1	Connector	
2030	1092 1202 50	1	Circuit breaker		2170	1092 1001 92	1	Service switch	
2040	1092 1202 51	1	Circuit breaker		3010	1088 0037 83	1	Connector	
2050	1092 1001 75	1	Circuit breaker		3020	1091 6362 32	1	Connector	
2060	1092 1202 52	1	Circuit breaker		3030	1088 0031 46	1	Connector	
2070		1	Contactactor		3040	1088 0031 34	1	Connector	
	1092 1202 53		G 110 VSDA		3050	1091 6362 32	1	Connector	
	1092 1202 55		G 110/132/160 VSD W		3060	1092 1202 63	1	Connector	
	1092 1202 56		G 132/160 VSDA		3070	1088 0037 81	1	Connector	
2080		1	Contactactor		3080	1092 1277 36	1	Display terminal	

Ref.	Partnumber	Qty	Name	Remarks	Ref.	Partnumber	Qty	Name	Remarks
	3001 5006 21	1	Air/oil filter kit			0663 2109 68	• 4	O-ring	
	1621 7376 99	• 1	Heavy duty air filter element			0663 2106 17	• 1	O-ring	
	1621 7378 90	• 2	Oil filter element			2906 1000 00	1	Cooler kit G 90-110W	
	0653 1046 00	• 1	Flat gasket			1092 0147 00	• 8	O-ring	
	0653 1100 00	• 1	Flat gasket			0663 2106 20	• 2	O-ring	
	0661 1124 00	• 1	Flat gasket			0663 2106 12	• 3	O-ring	
	0661 1000 25	• 2	Seal washer			0663 2106 11	• 2	O-ring	
	0661 1000 27	• 3	Seal washer			2906 1001 00	1	Cooler kit G 132-160W	
	0663 1000 31	• 1	Seal washer			1092 0147 00	• 12	O-ring	
	2906 0960 00	1	Kit CV-OSV C146			0663 2106 20	• 1	O-ring	
	1622 9639 00	• 1	Check valve			0663 2106 12	• 4	O-ring	
	1622 5662 00	• 1	Spring			0663 2106 11	• 4	O-ring	
	1622 0796 00	• 1	Spring			2906 0971 00	1	Kit element exchange C46	
	1622 0977 00	• 1	Gasket			0663 2109 78	• 1	O-ring	
	0661 1000 44	• 1	Seal washer			0663 2111 46	• 1	O-ring	30 x 2.4
	0661 1000 44	• 1	Seal washer			0663 2107 37	• 1	O-ring	
	0661 1000 25	• 1	Seal washer			0663 7138 00	• 1	O-ring	69.5 x 3
	0661 1000 27	• 1	Seal washer			1623 7407 00	• 1	Gasket	
	2906 0961 00	1	Kit CV-OSV C190			0661 1000 27	• 1	Seal washer	
	1623 0385 00	• 1	Check valve			0337 0009 77	• 1	Parallel key	
	2254 8075 00	• 1	Spring			0211 1409 00	• 1	Cap screw	
	1623 1767 00	• 1	Spring			2906 0972 00	1	Kit element exchange C190	
	0663 2108 12	• 2	O-ring			0663 2114 07	• 1	O-ring	
	0663 2106 20	• 1	O-ring			0663 2114 23	• 1	O-ring	
	0663 2106 15	• 1	O-ring			0663 2108 13	• 1	O-ring	
	0663 3116 00	• 1	O-ring			0663 2109 68	• 1	O-ring	
	0661 1000 25	• 1	Seal washer			0663 2108 12	• 2	O-ring	
	0661 1000 32	• 1	Seal washer			0663 2106 20	• 1	O-ring	
	3001 5006 26	1	Min. Pressure valve kit			0663 2106 15	• 1	O-ring	
	0663 2106 58	• 1	O-ring			0663 3116 00	• 1	O-ring	
	1614 6957 00	• 1	Washer			0661 1000 27	• 1	Seal washer	
	1621 4976 00	• 1	Nut			0337 8350 00	• 1	Parallel key	
	0665 0701 39	• 1	Back-up ring			0147 1407 03	• 1	Bolt	
	9125 7289 00	• 3	Set-screw			2906 0969 00	1	Kit gearbox C146	
	3001 5006 24	1	Oil separator kit G 90-110			0661 1000 27	• 1	Seal washer	
	0663 2106 17	• 1	O-ring			0211 1325 00	• 4	Cap screw	
	0663 2109 45	• 2	O-ring			0337 0009 74	• 1	Parallel key	
	1614 9054 99	• 1	Oil separator element			0337 8352 00	• 1	Parallel key	
	3001 5006 25	1	Oil separator kit G 132-160			0504 0110 01	• 1	Bearing ball	
	0663 2106 17	• 1	O-ring			0508 1158 01	• 1	Bearing	
	0663 2109 45	• 2	O-ring			2906 0968 00	• 1	Shaft seal kit	
	1614 9056 99	• 1	Oil separator element			2906 0970 00	1	Kit gearbox C190	
	2906 0566 00	1	Cooler kit G 90-160			0661 1000 27	• 1	Seal washer	
	0663 2106 19	• 1	O-ring			0211 1325 00	• 4	Cap screw	
	0663 2106 15	• 1	O-ring			0337 0009 74	• 1	Parallel key	

Service kit

Ref.	Partnumber	Qty	Name	Remarks	Ref.	Part number	Qty	Name	Remarks
	0506 0100 08	• 1	Roller bearing			0653 1227 00	• 3	Flat cu gasket	
	0508 1158 01	• 1	Bearing			0653 9078 00	• 3	Flat cu gasket	
	0337 8352 00	• 1	Parallel key			0661 1000 25	• 9	Seal ring	
	2906 0968 00	• 1	Shaft seal kit			0661 1000 27	• 12	Seal ring	
	2901 1089 00	1	Element overhaul kit C146			0661 1000 29	• 6	Seal ring	
	0147 1409 03	• 2	Hex. head screw			0661 1000 30	• 3	Seal ring	
	0508 1310 00	• 2	Bearing			0661 1000 31	• 3	Seal ring	
	0663 2111 77	• 1	O-ring			0661 1000 32	• 3	Seal ring	
	0512 0510 13	• 1	Bearing			0661 1000 36	• 3	Seal ring	
	0512 0510 12	• 1	Bearing			3001 5006 27	1	Maintenance kit 4000H	
	1616 7149 00	• 1	Wave spring			0661 1000 25	• 1	Seal washer	
	1616 7148 00	• 1	Wave spring			0663 2106 18	• 1	O-ring	
	1616 7144 02	• 1	Shim	T=0.025		0663 2106 20	• 1	O-ring	
	1616 7145 02	• 1	Shim	T=0.025		2254 8075 00	• 1	Spring	
	2906 0973 00	1	Element overhaul kit C190			2901 0749 00	• 1	Drain valve kit	
	0211 1362 00	• 2	Cap screw			3001 5006 30	1	Maintenance kit 8000H	
	0508 1101 07	• 2	Bearing			0663 2107 77	• 1	O-ring oil filter housing	
	0663 2103 25	• 1	O-ring			1202 5869 03	• 1	Thermostatic valve 60°C	
	0663 2108 14	• 1	O-ring			2906 0960 00	• 1	Cv-osv kit	
	0663 7135 00	• 1	O-ring			3001 5006 21	• 1	Air/oil filter kit	
	0663 2106 20	• 2	O-ring			3001 5006 26	• 1	Min. Press valve kit	
	0663 7138 00	• 1	O-ring	69.5x3		2906 0957 00	• 1	Unloading valve kit C146	
	0147 1409 03	• 2	Hex. head screw			3001 5006 24	• 1	Oil separator kit	
	1616 7355 00	• 2	Bearing set			3001 5006 22	• 1	Flexmaster joint kit	
	1616 7353 00	• 2	Wave spring			2901 0749 00	• 1	Drain valve kit	
	1614 8944 00	• 1	Ring			3001 5006 33	1	Maintenance kit 8000h	
	3001 5006 22	1	Kit for flexmaster joint on water separator			0663 2107 77	• 1	O-ring oil filter housing	
	0291 1114 00	• 2	Locknut			1202 5869 03	• 1	Thermostatic valve 40°C	
	0300 0276 03	• 4	Washer			2906 0961 00	• 1	Cv-osv kit	
	1614 9115 00	• 4	Rubber joint			3001 5006 21	• 1	Air/oil filter kit	
	1614 8926 00	• 4	Absorber			3001 5006 26	• 1	Min. Press valve kit	
	3001 5006 23	1	Kit for flexmaster joint on water separator			2906 0958 00	• 1	Unloading valve kit C146	
	0291 1114 00	• 2	Locknut			3001 5006 25	• 1	Oil separator kit	
	0300 0276 03	• 4	Washer			3001 5006 23	• 2	Flexmaster joint kit	
	1614 9064 00	• 4	Rubber joint			2901 0749 00	• 1	Drain valve kit	
	1614 8926 00	• 4	Absorber			3002 6032 30	1	G 110 Motor bearing	
	2906 0578 00	1	Seal washer kit			0502 1101 29	• 1	Bearing	
	0653 0500 08	• 3	Flat cu gasket			0502 1101 31	• 1	Bearing	
	0653 1046 00	• 3	Flat cu gasket			3002 6032 40	1	G 132/160 Motor bearing	
	0653 1062 00	• 12	Flat cu gasket			0502 1101 30	• 1	Bearing	
	0653 1100 00	• 3	Flat cu gasket			0502 1101 32	• 1	Bearing	
	0653 1124 00	• 3	Flat cu gasket						
	0653 1165 00	• 3	Flat cu gasket						
	0653 1189 00	• 3	Flat cu gasket						

Atlas Copco Stationary Air Compressors

G 110 VSD, G 132 VSD, G 160 VSD

Parts list

What sets Atlas Copco apart as a company is our conviction that we can only excel in what we do if we provide the best possible know-how and technology to really help our customers produce, grow and succeed.

There is a unique way of achieving that - we simply call it the Atlas Copco way. It builds on **interaction**, on long-term relationships and involvement in the customers' process, needs and objectives. It means having the flexibility to adapt to the diverse demands of the people we cater for.

It's the **commitment** to our customers' business that drives our effort towards increasing their productivity through better solutions. It starts with fully supporting existing products and continuously doing things better, but it goes much further, creating advances in technology through **innovation**. Not for the sake of technology, but for the sake of our customer's bottom line and peace-of-mind.

That is how Atlas Copco will strive to remain the first choice, to succeed in attracting new business and to maintain our position as the industry leader.



* 9 8 2 9 3 0 6 0 0 1 *