



**STATIONARY AIR COMPRESSOR
PARTS MANUAL
DS90-145AC**



PREFACE

- I. The parts manual is for user to purchase the spare parts of DS90-145AC series dry-type oil free screw compressor from Shenzhen Sullair Asia Industrial Co., Ltd. and Suzhou Sullair Air Equipment Co., Ltd. (hereinafter referred to as “Sullair ”), and can also be used for relevant personnel to understand the composition and parts assembly relationship of this compressor series. For the operation and maintenance of this machine series, please refer to DS series water-cooled dry-type oil free screw compressor “Operation and Maintenance Manual”, Sullair parts number: 882982000-945.
- II. Please keep this list properly for the sake of ordering parts from this company. It is required for you to contact the Sullair After-sales Department prior to setting an order as there will be without notice for the difference between the actual products and those listed therein along with the continual research and improvement on the products.
- III. Sullair reserves the right to make continuous research and improvement on its products, and has no obligations of modifying and improving the products delivered by it before.

License number: _____

Compressor model: _____

Compressor serial number: _____



Contents

| | |
|--------------------------------------|----|
| PREFACE | I |
| 1 Parts Order Procedure..... | 1 |
| 2 Recommended Spare Parts List..... | 3 |
| 3 Illustrations and Parts List | 4 |
| 3.1 Motor - Compressor System | 4 |
| 3.2 Air Inlet System..... | 6 |
| 3.3 Air Inlet Valve..... | 8 |
| 3.4 Cooling Fan System..... | 10 |
| 3.5 Air Discharge System | 14 |
| 3.6 Control System (I) | 16 |
| 3.7 Control System (II)..... | 18 |
| 3.8 Lubrication System..... | 22 |
| 3.9 Enclosure System | 26 |
| 3.10 Decal System..... | 28 |



1 Parts Order Procedure

You can order the spared parts required by you to the nearby branch of Sullair or your dealer. If you can't get these spare parts from them due to some reasons, you can directly contact the Parts Dept. of Sullair at the address as shown below in this manual.

When you order the parts, please do indicate the machine model number and serial number, because the product of Sullair is improved continuously. You can find the machine model number and serial number from the machine nameplate or delivery notice.

SULLAIR ASIA: **SULLAIR ASIA**

Website: <http://www.sullair-asia.com> Hotline: 800-830-3977

SULLAIR Singapore: 510 Thomson Road, #13-01, SLF Building, Singapore 298135. New - Tel (65) 6568 2800

SULLAIR Taipei: No.1, 3/F., No.248 Zhongshan Road, Linkou Town, Taipei
Tel: 02-26013500 Fax: 02-26013032

Shenzhen Factory: Zuopaotai Road, Chiwan, Shekou, Shenzhen 518068
Tel: 0755-26851686 Fax: 0755-26835157

Suzhou Factory: No.266 Changyang Street, Singapore Industrial Park, Suzhou 215000

Tel: 0512-87162388 Fax: 0512-87162389, 87162387



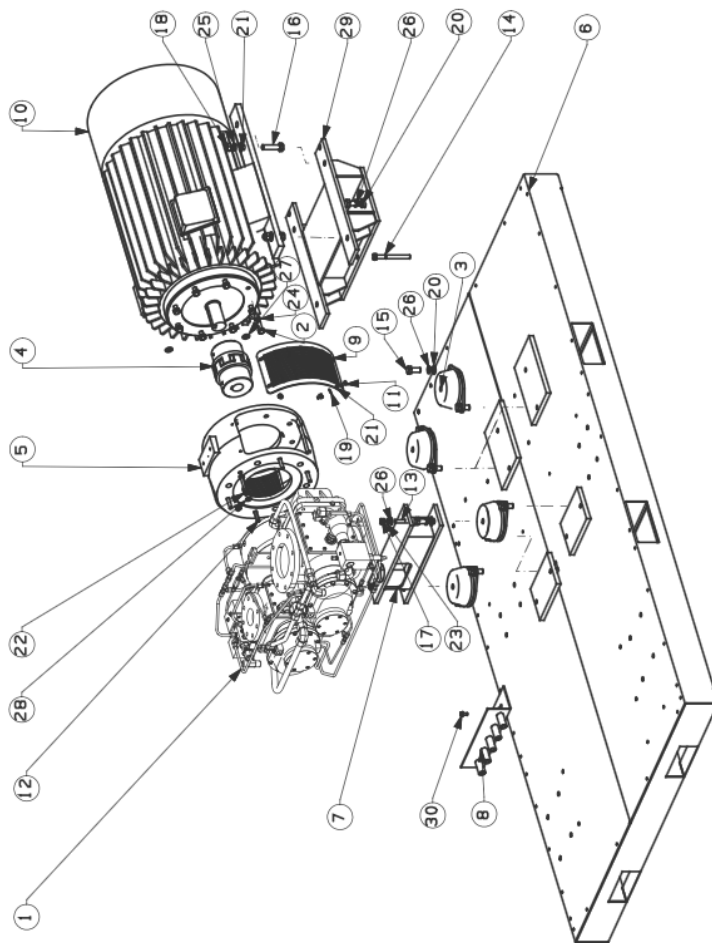
2 Recommended Spare Parts List

2.1 Common spare parts list

| No. | Name of Spare Parts | Parts Number | Qty./PCS |
|-----|------------------------------|--------------|-------------|
| 1 | Air Filter Primary Element | 88290020-337 | 1 |
| 2 | Air Filter Secondary Element | 88290020-338 | 1 |
| 3 | Fluid Filter | 88290022-658 | 1 |
| 4 | Check Valve | 88298003-079 | 1 |
| 5 | Fine Filter Element | 02250153-301 | 1 |
| 6 | Control Membrane | 88298000-083 | 1 |
| 7 | Line Filter | 88290022-560 | 2 |
| 8 | Pressure Reducing Valve | 88290022-562 | 1 |
| 9 | Solenoid Valve | 88290023-258 | 1 |
| 10 | Flexible Element | 88298001-228 | 1 |
| 11 | Shock Pad of Air End | 88290014-497 | 2 |
| 12 | Shock Pad of Motor | 88290014-497 | 2 |
| 13 | AWF (5 Gal./Barrel) | 250030-757 | As required |
| 14 | AWF (55 Gal./Barrel) | 250030-758 | As required |

3 Illustrations and Parts List

3.1 Motor - Compressor System



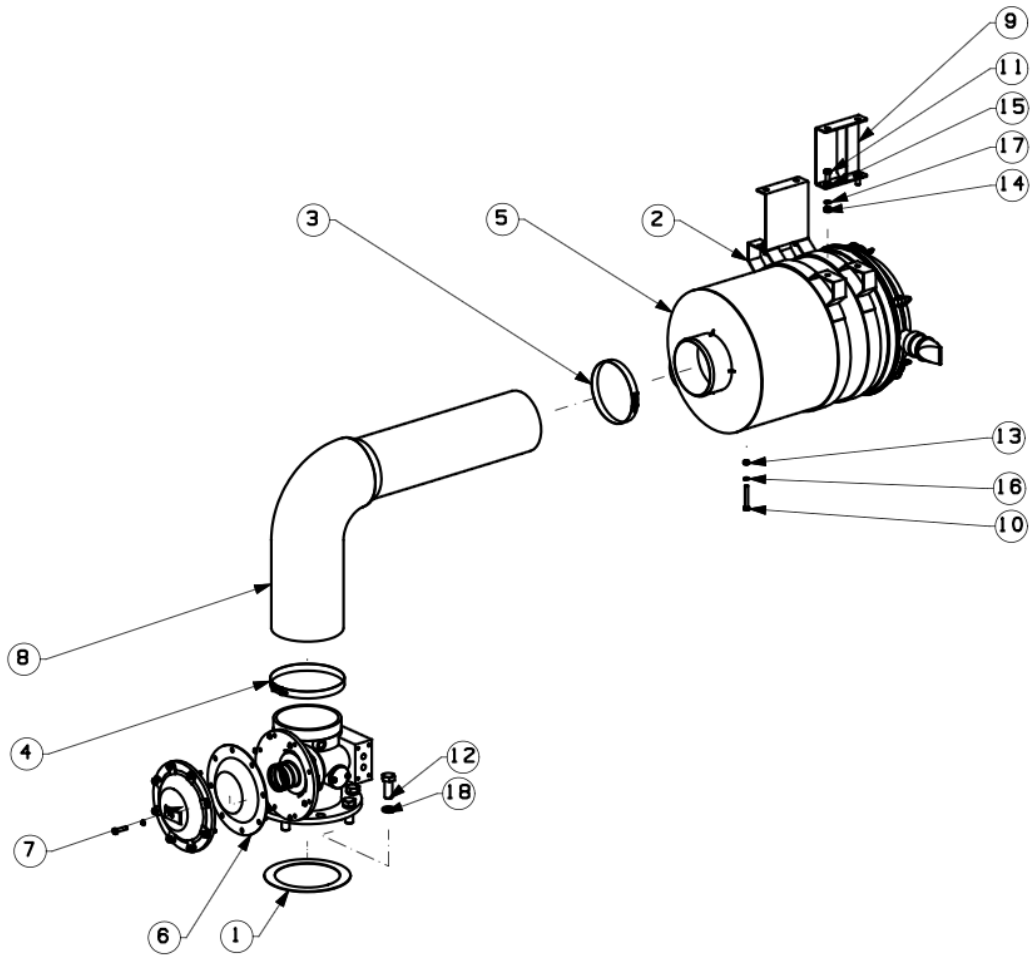
DS90-145AC Series Dry-type Oil Free Screw Compressor Parts List

Illustrations and Parts List

Motor - Compressor System Parts List

| No. | P/N | Name | Qty. | Remarks |
|-----|--------------|-------------------------|------|------------|
| 1 | 02250210-469 | Compressor Air End | 1 | 132L,145H |
| | 02250189-517 | | 1 | 110H,132HH |
| | 02250210-468 | | 1 | 90L,110HH |
| | 02250210-467 | | 1 | 75L,90HH |
| 2 | 88812116-045 | Bolt | 8 | |
| 3 | 88290014-497 | Shock Absorber | 4 | |
| 4 | 88298000-075 | Coupling | 1 | |
| 5 | 88298000-077 | Coupling | 1 | |
| 6 | 88298003-455 | Base | 1 | |
| 7 | 88298003-945 | Air End Support | 1 | |
| 8 | 88298003-096 | Drain Connector Support | 1 | |
| 9 | 88298000-181 | Net Hood | 2 | |
| 10 | 88298001-453 | Motor | 1 | 132KW NEMA |
| | 88298001-470 | | 1 | 110KW NEMA |
| | 88298003-323 | | | 90KW NEMA |
| | 88298003-324 | | | 145KW NEMA |
| 11 | 88812108-016 | Full Thread Bolt | 8 | |
| 12 | 88812112-080 | Full Thread Bolt | 6 | |
| 13 | 88812114-060 | Full Thread Bolt | 2 | |
| 14 | 88812116-160 | Full Thread Bolt | 2 | |
| 15 | 88812120-045 | Full Thread Bolt | 11 | |
| 16 | 88812120-080 | Full Thread Bolt | 4 | |
| 17 | 88821114-128 | Nut | 2 | |
| 18 | 88821120-180 | Nut | 4 | |
| 19 | 88831108-016 | Flat Washer | 8 | |
| 20 | 88831120-030 | Flat Washer | 16 | |
| 21 | 88832108-021 | Spring Washer | 8 | |
| 22 | 88832112-031 | Spring Washer | 6 | |
| 23 | 88832114-036 | Spring Washer | 2 | |
| 24 | 88832116-041 | Spring Washer | 8 | |
| 25 | 88832120-050 | Spring Washer | 15 | |
| 26 | 88831114-025 | Flat Washer | 2 | |
| 27 | 88831116-030 | Flat Washer | 8 | |
| 28 | 88831112-025 | Flat Washer | 6 | |
| 29 | 88298003-946 | Motor Support | 1 | |
| 30 | 88813110-020 | Flanged Bolt | 2 | |

3.2 Air Inlet System



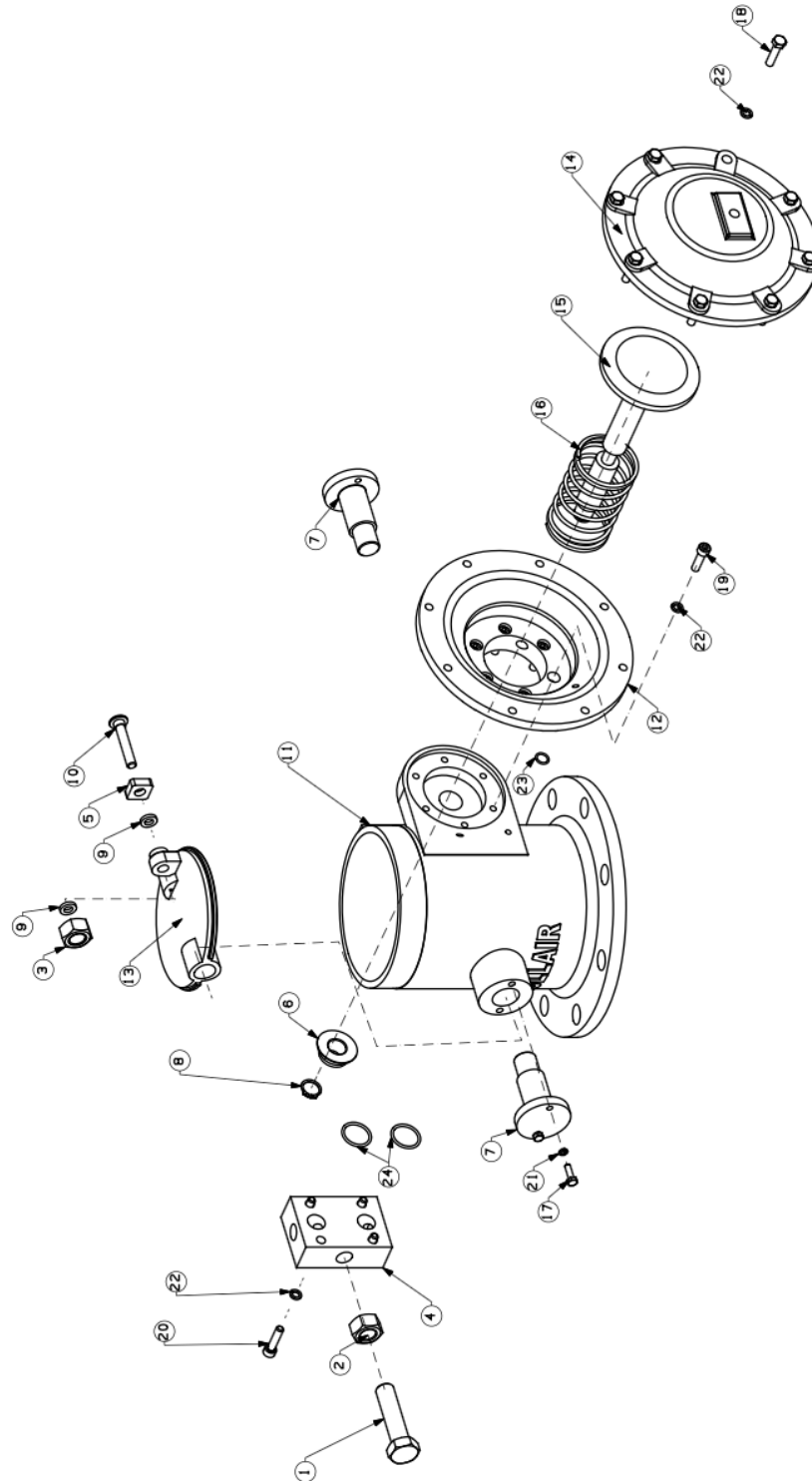
DS90-145AC Series Dry-type Oil Free Screw Compressor Parts List

Illustrations and Parts List

Air Inlet System Parts List

| No. | P/N | Name | Qty. | Remarks |
|-----|--------------|-----------------------|------|---------|
| 1 | 02250147-697 | Sealing Gasket | 1 | |
| 2 | 88290003-367 | Clamp Retainer | 2 | |
| 3 | 88290004-721 | T-Shape Clamp | 1 | |
| 4 | 88290004-723 | T-Shape Clamp | 1 | |
| 5 | 88290019-509 | Air Filter Assembly | 1 | |
| 6 | 88298000-083 | Control Membrane | 1 | |
| 7 | 88298003-166 | Air Inlet Valve | 1 | |
| 8 | 88298003-750 | Air Inlet Elbow | 1 | |
| 9 | 88298004-047 | Support of Air Filter | 2 | |
| 10 | 88812108-060 | Full Thread Bolt | 2 | |
| 11 | 88812110-025 | Full Thread Bolt | 4 | |
| 12 | 88812120-050 | Full Thread Bolt | 8 | |
| 13 | 88821108-068 | Nut | 2 | |
| 14 | 88821110-084 | Nut | 4 | |
| 15 | 88831110-020 | Flat Washer | 4 | |
| 16 | 88832108-021 | Spring Washer | 2 | |
| 17 | 88832110-026 | Spring Washer | 4 | |
| 18 | 88832120-050 | Spring Washer | 8 | |

3.3 Air Inlet Valve



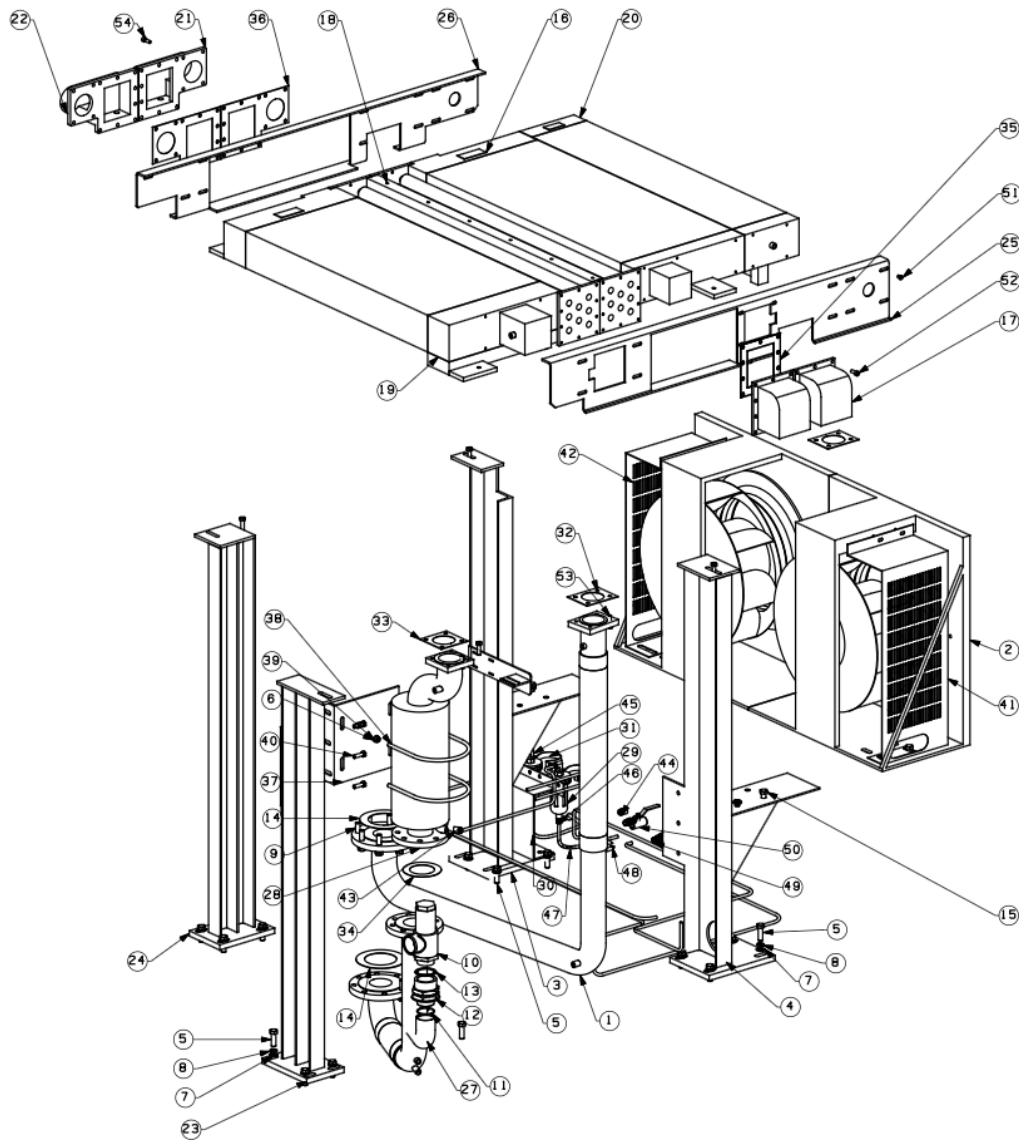
DS90-145AC Series Dry-type Oil Free Screw Compressor Parts List

Illustrations and Parts List

Air Inlet Valve Parts List

| No. | P/N | Name | Qty. | Remarks |
|-----|-----------------|----------------------------|------|---------|
| 1 | 88290022-199-07 | Adjusting Screw | 1 | |
| 2 | 88290022-199-08 | Nut | 1 | |
| 3 | 88290022-199-09 | Anti-Loose Nut | 1 | |
| 4 | 88290022-199-10 | By-pass Block | 1 | |
| 5 | 88298000-096-01 | Sliding Block | 2 | |
| 6 | 88298000-096-03 | Sealing Block | 1 | |
| 7 | 88298000-096-04 | Cover Plate | 2 | |
| 8 | 88298000-096-05 | Retainer Ring | 1 | |
| 9 | 88298000-096-06 | Spacer Bush | 2 | |
| 10 | 88298000-096-11 | Fixed Shaft | 1 | |
| 11 | 88298000-097 | Valve Body | 1 | |
| 12 | 88298000-098 | Membrane Cavity Valve Body | 1 | |
| 13 | 88298000-100 | Butterfly Valve Piece | 2 | |
| 14 | 88298000-101 | Valve Cover | 1 | |
| 15 | 88298000-102 | Valve Element | 1 | |
| 16 | 88298000-103 | Spring | 1 | |
| 17 | 88812106-020 | Full Thread Bolt | 4 | |
| 18 | 88812108-035 | Full Thread Bolt | 8 | |
| 19 | 88818208-030 | Socket head cap screw | 6 | |
| 20 | 88818208-035 | Socket head cap screw | 4 | |
| 21 | 88832106-016 | Spring Washer | 4 | |
| 22 | 88832108-021 | Spring Washer | 18 | |
| 23 | 88842018-011 | O Ring | 1 | |
| 24 | 88842026-028 | O Ring | 2 | |

3.4 Cooling Fan System



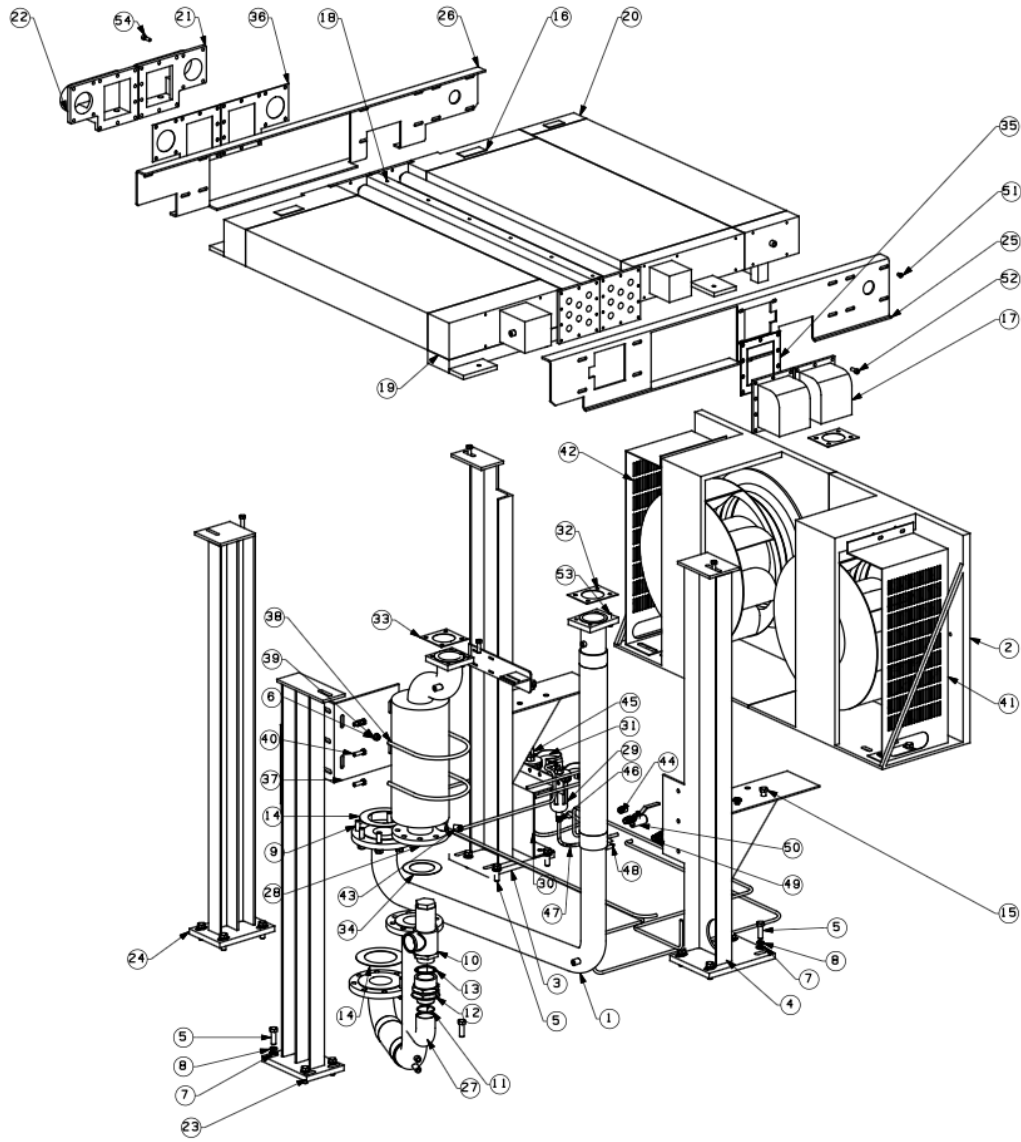
DS90-145AC Series Dry-type Oil Free Screw Compressor Parts List

Illustrations and Parts List

Cooling Water Loop System Parts List

| No. | P/N | Name | Qty. | Remarks |
|-----|--------------|--------------------------------------|------|---------|
| 1 | 88298003-540 | Air Pipe | 1 | |
| 2 | 88298003-546 | Centrifugal Fan | 1 | 50HZ |
| 3 | 88298003-838 | Front Support I | 1 | |
| 4 | 88298003-842 | Front Support II | 1 | |
| 5 | 88812116-050 | Full Thread Bolt | 19 | |
| 6 | 88831112-025 | Flat Washer | 1 | |
| 7 | 88831116-030 | Flat Washer | 41 | |
| 8 | 88832116-041 | Spring Washer | 41 | |
| 9 | 88812116-065 | Full Thread Bolt | 9 | |
| 10 | 88290022-244 | Relief Valve | 1 | |
| 11 | 88842035-056 | O Ring | 1 | |
| 12 | 88290022-937 | Connection Base | 1 | |
| 13 | 88834260-029 | Combined Gasket | 1 | |
| 14 | 02250147-695 | Sealing Gasket | 2 | |
| 15 | 88812116-035 | Full Thread Bolt | 1 | |
| 16 | 88298004-815 | After Cooler | 1 | |
| 17 | 88298004-819 | Precooler Air Inlet Seal Head | 1 | |
| 18 | 88298004-817 | Precooler | 1 | |
| 19 | 88298004-816 | Intercooler | 1 | |
| 20 | 88298004-811 | Fluid Cooler | 1 | |
| 21 | 88298004-837 | Precooler Air Discharge Seal Head | 1 | |
| 22 | 88298004-850 | Precooler Air Discharge Seal Head II | 1 | |
| 23 | 88298004-968 | Rear Support I | 1 | |
| 24 | 88298004-969 | Rear Support II | 1 | |
| 25 | 88298004-990 | Cooler Support I | 1 | |
| 26 | 88298004-991 | Cooler Support II | 1 | |
| 27 | 88298004-995 | Air Pipe | 1 | |
| 28 | 88298005-059 | Drain Valve | 1 | |
| 29 | 88298002-518 | Automatic Moisture Separator | 2 | |
| 30 | 88298003-327 | Moisture Separator Support | 1 | |
| 31 | 88298005-184 | Moisture Separator Clamp | 2 | |
| 32 | 88298005-254 | Sealing Gasket | 2 | |

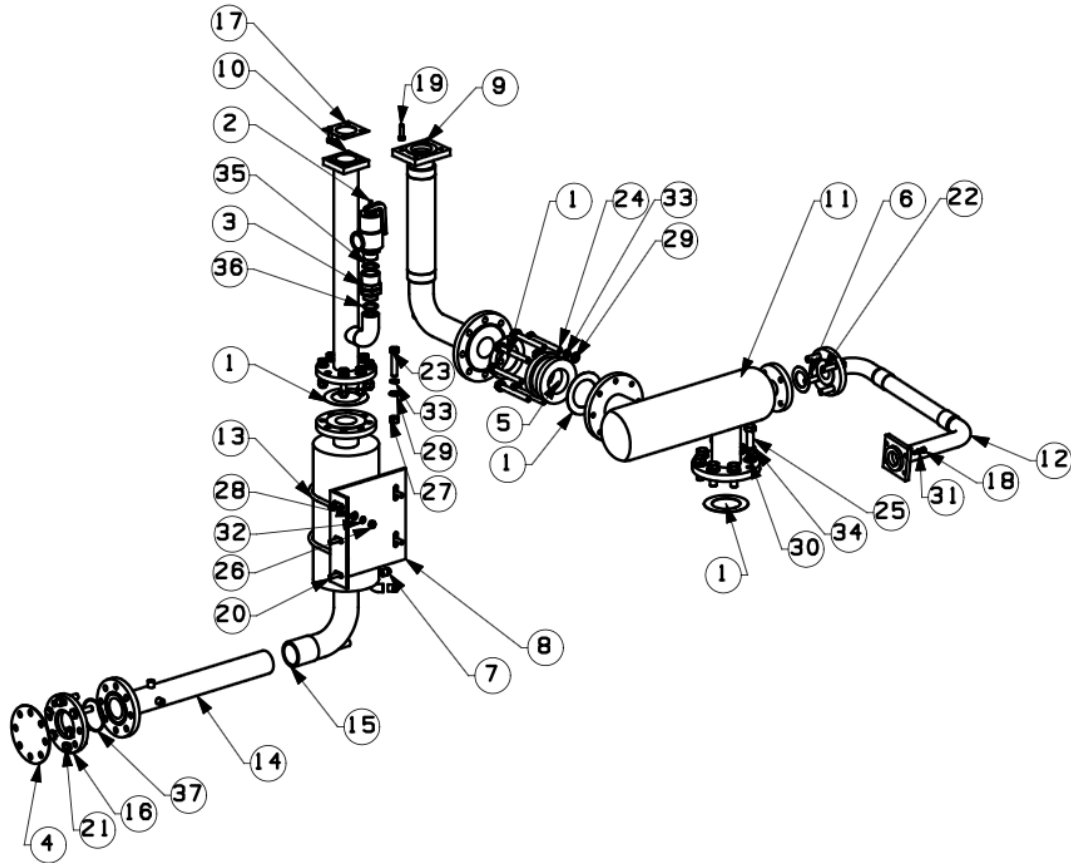
3.4 Cooling Water Loop System (Continued)



Cooling Water Loop System Parts List (Continued)

| No. | P/N | Name | Qty. | Remarks |
|-----|--------------|-----------------------|------|---------|
| 33 | 88298005-255 | Sealing Gasket | 1 | |
| 34 | 02250142-679 | Sealing Gasket | 1 | |
| 35 | 88298005-258 | Sealing Gasket | 2 | |
| 36 | 88298005-259 | Sealing Gasket | 2 | |
| 37 | 88298003-447 | Drain Valve Support | 1 | |
| 38 | 88298004-386 | U-Shape Bolt | 2 | |
| 39 | 88821112-108 | Nut | 2 | |
| 40 | 88812112-040 | Full Thread Bolt | 7 | |
| 41 | 88298005-187 | Net Hood | 1 | |
| 42 | 88298005-193 | Net Hood | 1 | |
| 43 | 88298000-497 | Quick Plug Connector | 2 | |
| 44 | 88298000-505 | Quick Plug Connector | 1 | |
| 45 | 88298000-491 | Quick Plug Connector | 2 | |
| 46 | 88298000-459 | Quick Plug Connector | 2 | |
| 47 | 88298000-816 | Hose | 6 | |
| 48 | 88298000-805 | Hose | 1 | |
| 49 | 88871008-044 | Internal Joint | 2 | |
| 50 | 88290002-435 | Ball Valve | 2 | |
| 51 | 88813108-012 | Flanged Bolt | 26 | |
| 52 | 88818210-025 | Internal Bolt | 20 | |
| 53 | 88812110-040 | Full Thread Bolt | 2 | |
| 54 | 88818210-030 | Socket head cap screw | 24 | |

3.5 Air Discharge System



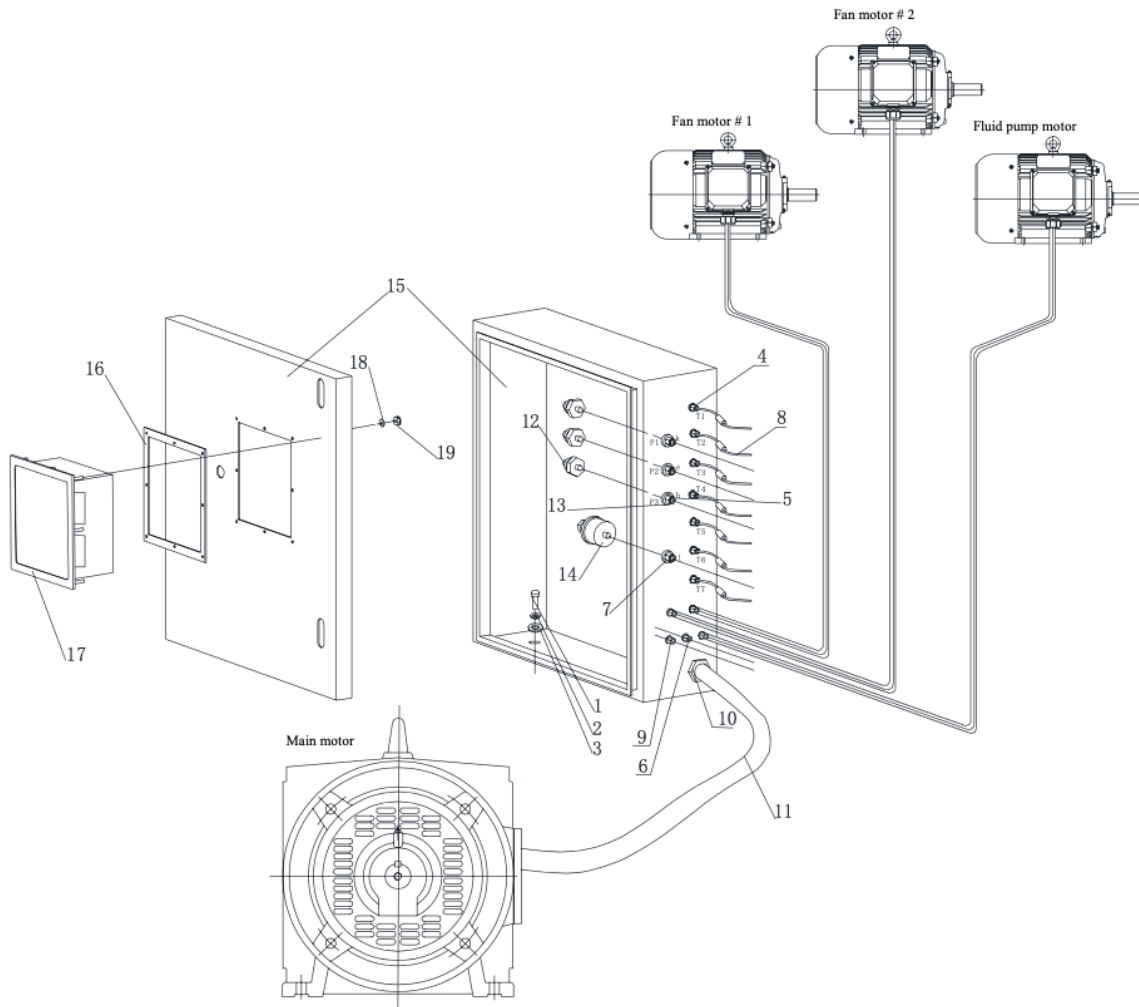
DS90-145AC Series Dry-type Oil Free Screw Compressor Parts List

Illustrations and Parts List

Air Discharge System Parts List

| No. | P/N | Name | Qty. | Remarks |
|-----|--------------|----------------------|------|---------------|
| 1 | 02250142-679 | Sealing Gasket | 4 | |
| 2 | 88290005-479 | Relief Valve | 1 | Model DN32 H |
| | 88298001-245 | | 1 | Model DN32 L |
| | 88298001-249 | | 1 | Model DN32 HH |
| 3 | 88290006-814 | Adjustable Connector | 1 | DN32 |
| 4 | 88292001-559 | Cover Plate | 1 | |
| 5 | 88298000-086 | Check Valve | 1 | |
| 6 | 88298000-171 | Sealing Gasket | 1 | |
| 7 | 88298000-497 | Quick Plug Connector | 2 | |
| 8 | 88298003-621 | Drain Valve Support | 1 | |
| 9 | 88298003-621 | Air Pipe | 1 | |
| 10 | 88298003-622 | Air Pipe | 1 | |
| 11 | 88298003-679 | Silencer | 1 | |
| 12 | 88298004-163 | Drain Pipe | 1 | |
| 13 | 88298004-386 | U-Shape Bolt | 2 | |
| 14 | 88298004-999 | Air Pipe | 1 | |
| 15 | 88298005-065 | Drain Valve | 1 | |
| 16 | 88298005-096 | External Flange | 1 | |
| 17 | 88298005-257 | Sealing Gasket | 1 | |
| 18 | 88812108-035 | Full Thread Bolt | 4 | |
| 19 | 88812110-040 | Full Thread Bolt | 8 | |
| 20 | 88812112-040 | Full Thread Bolt | 3 | |
| 21 | 88812116-065 | Full Thread Bolt | 8 | |
| 22 | 88812116-070 | Full Thread Bolt | 4 | |
| 23 | 88812116-075 | Full Thread Bolt | 8 | |
| 24 | 88812116-140 | Full Thread Bolt | 8 | |
| 25 | 88812120-060 | Full Thread Bolt | 8 | |
| 26 | 88821112-108 | Nut | 4 | |
| 27 | 88821116-148 | Nut | 8 | |
| 28 | 88831112-025 | Flat Washer | 4 | |
| 29 | 88831116-030 | Flat Washer | 16 | |
| 30 | 88831120-030 | Flat Washer | 8 | |
| 31 | 88832108-021 | Spring Washer | 4 | |
| 32 | 88832112-031 | Spring Washer | 4 | |
| 33 | 88832116-041 | Spring Washer | 16 | |
| 34 | 88832120-050 | Spring Washer | 8 | |
| 35 | 88834242-029 | Combined Gasket | 1 | |
| 36 | 88842035-038 | O Ring | 1 | |
| 37 | 88842035-095 | O Ring | 1 | |

3.6 Control System (I)



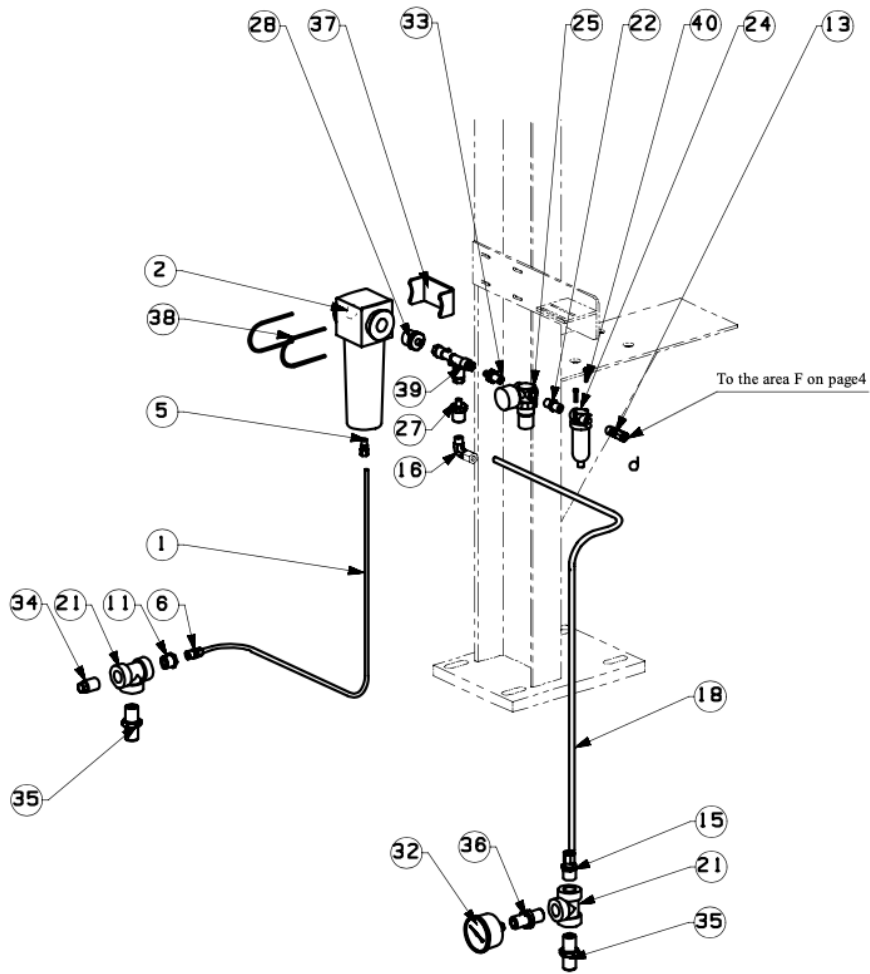
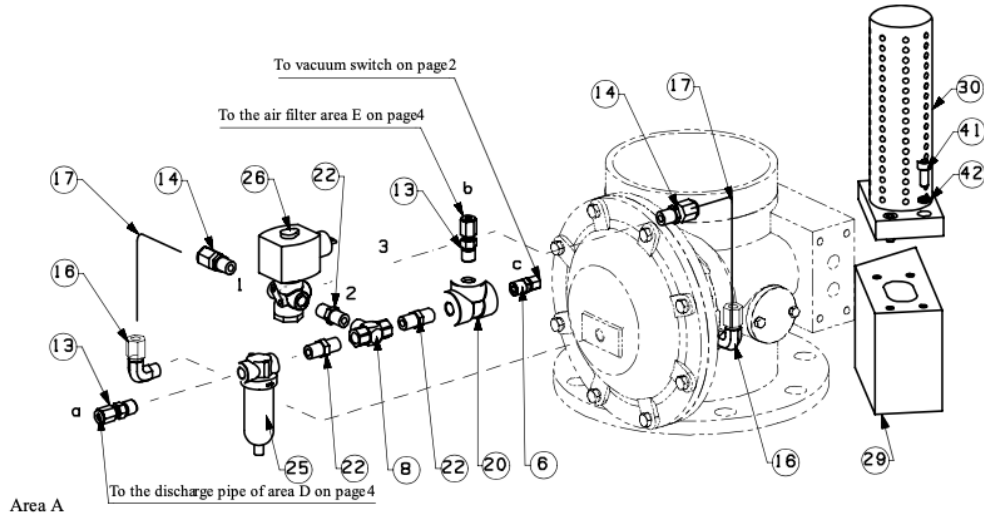
DS90-145AC Series Dry-type Oil Free Screw Compressor Parts List

Illustrations and Parts List

Control System (I) Parts List

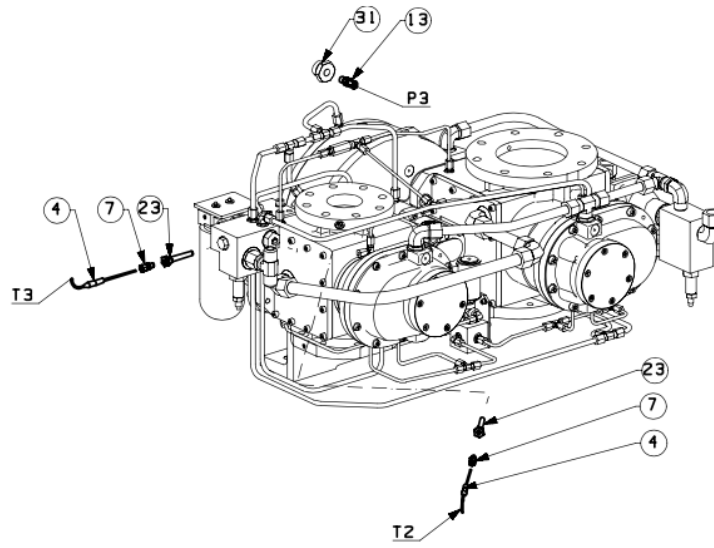
| No. | P/N | Name | Qty. | Remarks |
|-----|--------------|---|------|---------|
| 1 | 88812112-065 | Full Thread Bolt | 4 | |
| 2 | 88832108-021 | Spring Washer | 4 | |
| 3 | 88831108-016 | Flat Washer | 4 | |
| 4 | 250023-496 | Waterproof Joint | 7 | |
| 5 | 810204-012 | Joint | 3 | |
| 6 | 88298001-554 | Control Cable | 2 | 7.5Mx2 |
| 7 | 250018-427 | Straight Connector | 1 | |
| 8 | 02250189-631 | Temperature Sensor | 7 | |
| 9 | 88298001-521 | Waterproof Joint | 5 | |
| 10 | 88290001-272 | Plastic Coated Metal Hose Pipe Connector | 2 | |
| 11 | 88290001-267 | Plastic Coated Metal Hose | 2 | 1Mx2 |
| 12 | 02250155-174 | Pressure Transducer | 3 | |
| 13 | 841500-002 | Assembly Joint | 3 | |
| 14 | 88291007-640 | Vacuum Switch | 1 | |
| 15 | 88298003-820 | Electric Cabinet Assembly | 1 | |
| | 88298003-819 | | 1 | |
| 16 | 02250048-822 | Gasket | 1 | |
| 17 | 88290022-632 | Display Panel | 1 | |
| 18 | 88832104-011 | Spring Washer | 8 | |
| 19 | 88821104-032 | Nut | 8 | |

3.7 Control System (II)

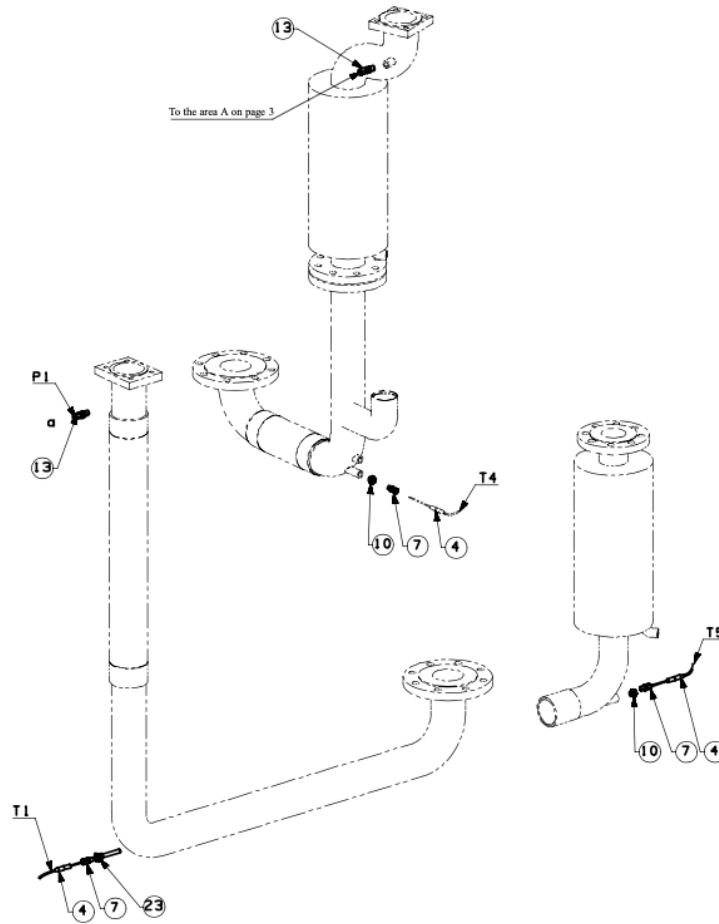


DS90-145AC Series Dry-type Oil Free Screw Compressor Parts List

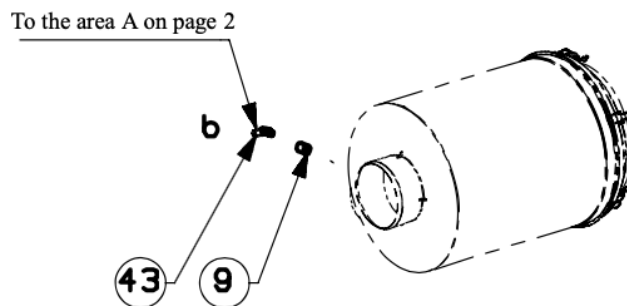
Illustrations and Parts List



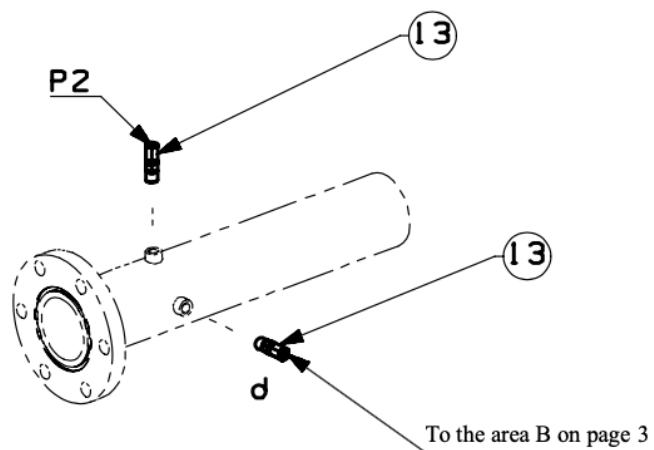
Area C



Area D



Area E



Area F

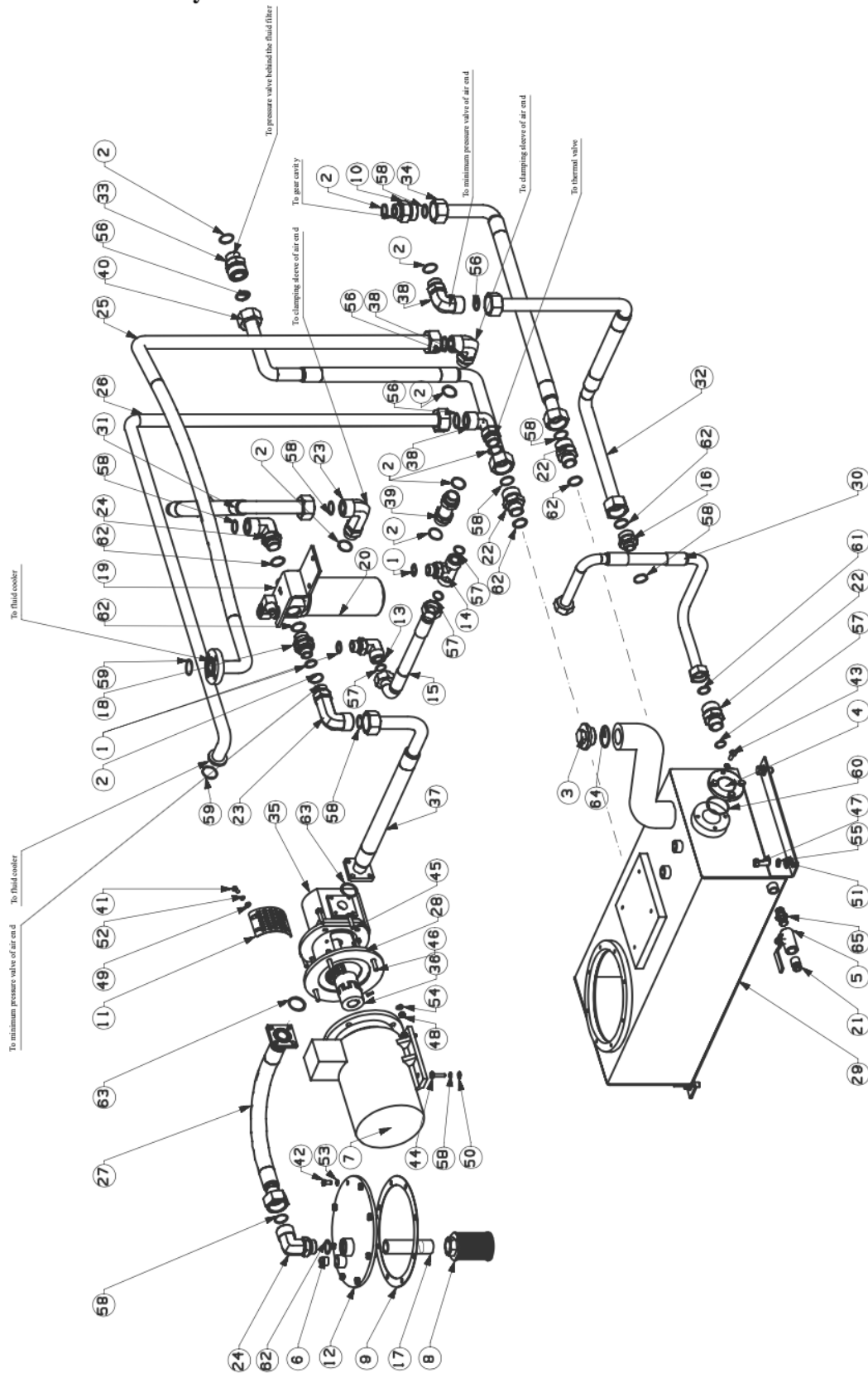
DS90-145AC Series Dry-type Oil Free Screw Compressor Parts List

Illustrations and Parts List

Control System (II) Parts List

| No. | P/N | Name | Qty. | Remarks |
|-----|--------------|------------------------------------|------|---------|
| 1 | 02250054-861 | Nylon Tube (FT) | 2 | |
| 2 | 02250153-053 | Fine Filter | 1 | |
| 3 | 02250155-174 | Pressure Transducer | 3 | |
| 4 | 02250189-631 | Temperature Sensor | 5 | |
| 5 | 250018-427 | Straight Connector | 1 | |
| 6 | 250018-428 | Straight Connector | 3 | |
| 7 | 250028-635 | Joint | 5 | |
| 8 | 408893 | Shuttle Valve | 1 | |
| 9 | 803215-005 | Joint | 1 | |
| 10 | 807600-005 | Reducing Joint | 2 | |
| 11 | 807602-010 | Reducing Joint | 1 | |
| 12 | 810204-012 | Joint | 3 | |
| 13 | 810204-025 | Joint | 8 | |
| 14 | 810206-025 | Pipe Connector | 3 | |
| 15 | 810206-050 | Pipe Connector | 1 | |
| 16 | 810506-025 | Elbow | 3 | |
| 17 | 841215-004 | Stainless Steel Tubing (FT) | 8 | |
| 18 | 841215-006 | Stainless Steel Tubing (FT) | 1 | |
| 19 | 841500-002 | Assembly Joint | 4 | |
| 20 | 868430-010 | Tee | 1 | |
| 21 | 868430-020 | Tee | 2 | |
| 22 | 868504-025 | Joint | 4 | |
| 23 | 88290004-983 | Temperature Measurement Probe Coat | 3 | |
| 24 | 88290022-560 | Line Filter | 2 | |
| 25 | 88290022-562 | Pressure Reducing Valve | 1 | |
| 26 | 88290023-258 | Solenoid Valve | 1 | |
| 27 | 88292000-080 | Joint | 1 | |
| 28 | 88292000-099 | Joint | 1 | |
| 29 | 88292001-420 | Silencer Support | 1 | |
| 30 | 88298000-131 | Discharge Silencer | 1 | |
| 31 | 88298000-613 | Joint | 1 | |
| 32 | 88298003-044 | Capsule Pressure Gauge | 1 | |
| 33 | 88298003-060 | Joint | 1 | |
| 34 | 88298003-066 | Plug | 1 | |
| 35 | 88298003-175 | Internal Joint | 2 | |
| 36 | 88298003-198 | Joint | 1 | |
| 37 | 88298003-547 | Support | 1 | |
| 38 | 88298004-018 | U-Shape Bolt | 2 | |
| 39 | 88298005-113 | Vacuum Generator | 1 | |
| 40 | 88818004-020 | Cross Screw | 2 | |
| 41 | 88818208-020 | Socket head cap screw | 4 | |
| 42 | 88832108-021 | Spring Washer | 4 | |

3.8 Lubrication System



DS90-145AC Series Dry-type Oil Free Screw Compressor Parts List

Illustrations and Parts List

Lubrication System Parts List

| No. | P/N | Name | Qty. | Remarks |
|-----|--------------|-------------------------------------|------|---------|
| 1 | 250042-645 | O Ring | 3 | |
| 2 | 250042-646 | O Ring | 9 | |
| 3 | 88290001-031 | Oiler Plug | 1 | |
| 4 | 88290001-219 | Sight Glass | 1 | |
| 5 | 88290002-435 | Ball Valve | 1 | |
| 6 | 88290002-836 | Plug | 1 | |
| 7 | 88298005-046 | Motor | 1 | 60HZ |
| | 88290022-181 | | 1 | 50HZ |
| 8 | 88290022-443 | Strainer Filter | 1 | |
| 9 | 88290022-670 | Sealing Gasket | 1 | |
| 10 | 88290023-239 | Straight Connector | 1 | |
| 11 | 88298000-004 | Coupling Guard | 2 | |
| 12 | 88298000-163 | Fluid Tank Cover | 1 | |
| 13 | 88298000-164 | Adjustable Straight Connector | 1 | |
| 14 | 88298000-165 | Tee Joint | 1 | |
| 15 | 88298000-166 | Fluid Outlet Pipe, Air End | 1 | |
| 16 | 88298000-168 | Straight Connector | 1 | |
| 17 | 88298000-175 | Joint | 1 | |
| 18 | 88298000-182 | Adjustable Straight Connector | 1 | |
| 19 | 88298000-183 | Fluid Filter Support | 1 | |
| 20 | 88298000-239 | Fluid Filter Assembly | 1 | |
| 21 | 88298000-505 | Quick Plug Connector | 1 | |
| 22 | 88298002-825 | Straight Connector | 3 | |
| 23 | 88298002-862 | Straight Connector | 2 | |
| 24 | 88298002-911 | Adjustable Connector | 2 | |
| 25 | 88298003-710 | Fluid Bleeding Pipe of Fluid Cooler | 1 | |
| 26 | 88298003-712 | Fluid Inlet Pipe, Cooler | 1 | |
| 27 | 88298003-860 | Fluid Inlet Pipe, Fluid Pump | 1 | |
| 28 | 88298003-861 | Fluid Pump Coupling | 1 | |
| 29 | 88298003-901 | Fluid Tank | 1 | |
| 30 | 88298003-908 | Fluid Tank Return Line | 1 | |
| 31 | 88298004-008 | Fluid Inlet Pipe, Air End | 1 | |
| 32 | 88298004-013 | Return Line | 1 | |

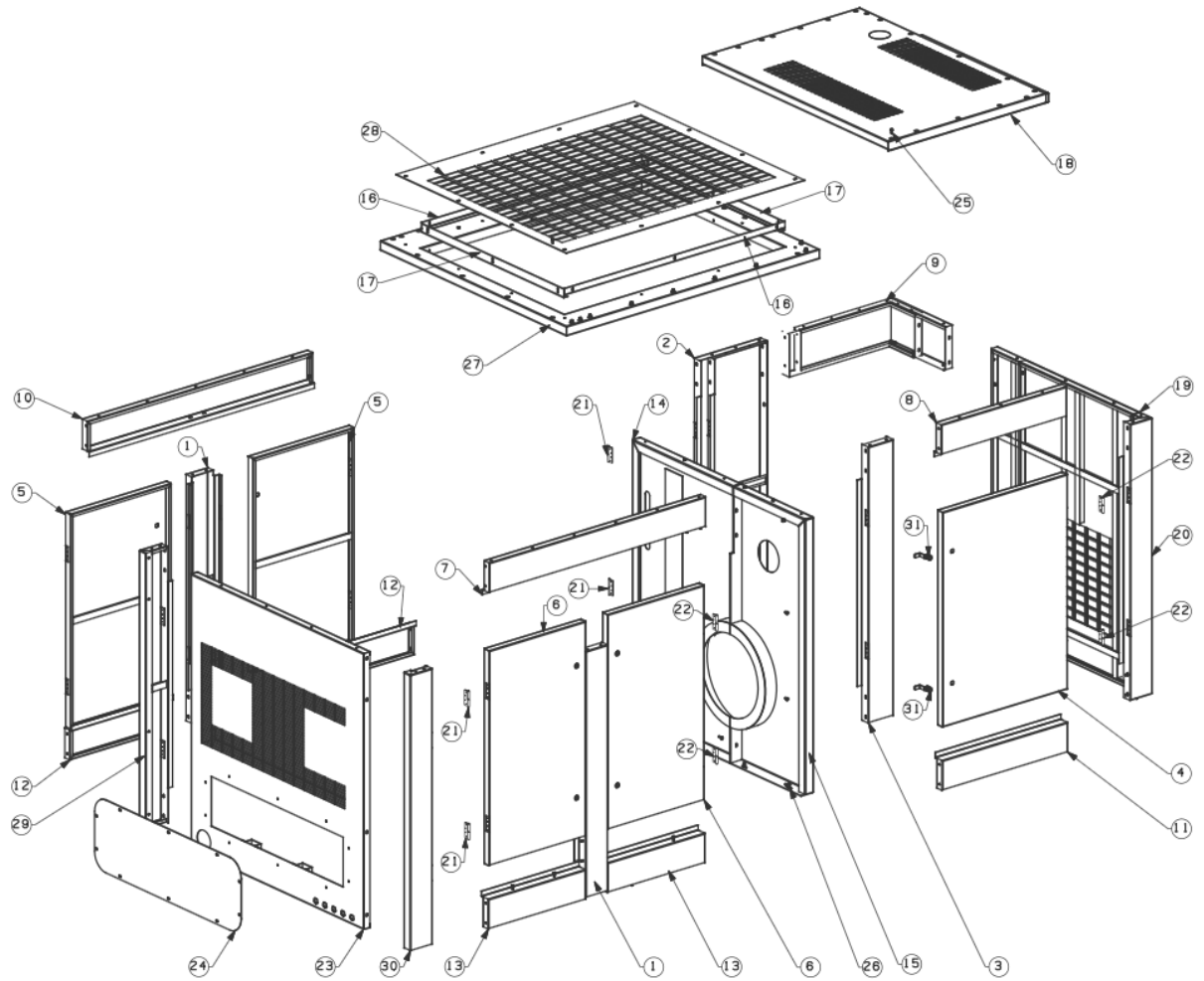
DS90-145AC Series Dry-type Oil Free Screw Compressor Parts List

Illustrations and Parts List

Lubrication System Parts List (Continued)

| No. | P/N | Name | Qty. | Remarks |
|-----|--------------|-------------------------------|------|---------|
| 33 | 88298004-014 | Straight Connector | 1 | |
| 34 | 88298004-140 | Gear Cavity Fluid Outlet Pipe | 1 | |
| 35 | 88292001-278 | Fluid Pump | 1 | 60HZ |
| | 88298004-251 | | 1 | 50HZ |
| 36 | 88298004-330 | Coupling | 1 | |
| 37 | 88298004-342 | Fluid Pump Fluid Outlet Pipe | 1 | |
| 38 | 88298004-694 | Adjustable Connector | 3 | |
| 39 | 88298004-695 | Adjustable Straight Connector | 1 | |
| 40 | 88298004-746 | Return Line | 1 | |
| 41 | 88812106-016 | Full Thread Bolt | 5 | |
| 42 | 88812108-016 | Full Thread Bolt | 8 | |
| 43 | 88812108-020 | Full Thread Bolt | 4 | |
| 44 | 88812108-030 | Full Thread Bolt | 4 | |
| 45 | 88812108-035 | Full Thread Bolt | 4 | |
| 46 | 88812108-040 | Full Thread Bolt | 4 | |
| 47 | 88812112-030 | Full Thread Bolt | 4 | |
| 48 | 88821108-068 | Nut | 1 | |
| 49 | 88831106-016 | Flat Washer | 5 | |
| 50 | 88831108-016 | Flat Washer | 5 | |
| 51 | 88831112-025 | Flat Washer | 4 | |
| 52 | 88832106-016 | Spring Washer | 5 | |
| 53 | 88832108-021 | Spring Washer | 20 | |
| 54 | 88832110-026 | Spring Washer | 1 | |
| 55 | 88832112-031 | Spring Washer | 4 | |
| 56 | 88842018-029 | O Ring | 4 | |
| 57 | 88842026-021 | O Ring | 4 | |
| 58 | 88842026-028 | O Ring | 8 | |
| 59 | 88842026-033 | O Ring | 2 | |
| 60 | 88842026-051 | O Ring | 1 | |
| 61 | 88842035-023 | O Ring | 1 | |
| 62 | 88842035-028 | O Ring | 6 | |
| 63 | 88842035-035 | O Ring | 10 | |
| 64 | 88842035-047 | O Ring | 1 | |
| 65 | 88871008-044 | Internal Joint | 1 | |

3.9 Enclosure System



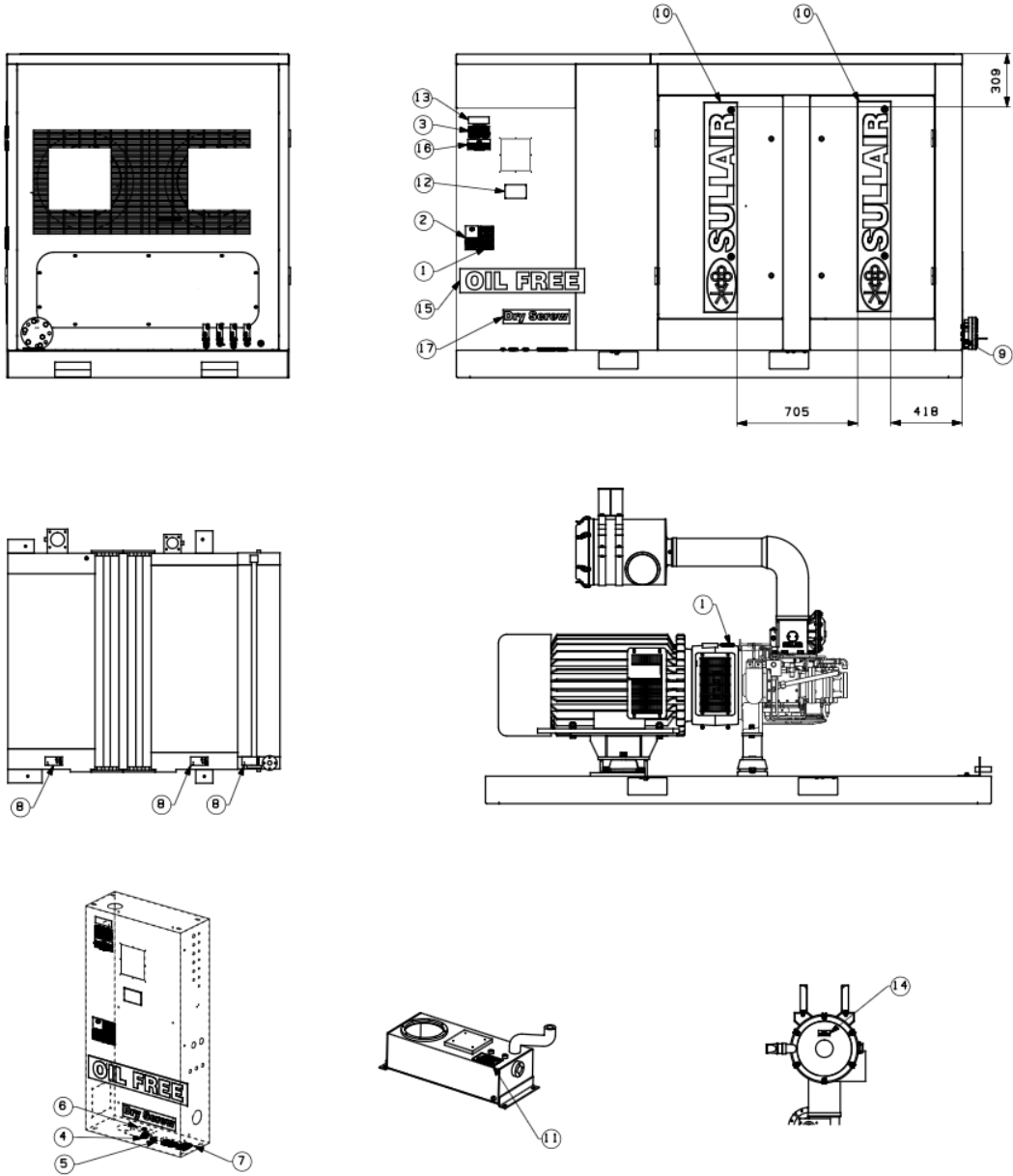
DS90-145AC Series Dry-type Oil Free Screw Compressor Parts List

Illustrations and Parts List

Enclosure System Parts List

| No. | P/N | Name | Qty. | Remarks |
|-----|--------------|----------------------------------|------|--------------------------------|
| 1 | 88298003-801 | Side Pillar | 2 | |
| 2 | 88292001-026 | Side Pillar III | 1 | Soft Start-up/VSD |
| | 88298003-797 | Side Pillar III | 1 | Standard power frequency model |
| 3 | 88298004-260 | Side Pillar IV | 1 | |
| 4 | 88298003-834 | Side Door II | 1 | |
| 5 | 88298004-221 | Side Door III | 2 | |
| 6 | 88298003-796 | Side Door I | 2 | |
| 7 | 88298003-795 | Side Upper Frame II | 1 | |
| 8 | 88298003-831 | Side Upper Frame III | 1 | |
| 9 | 88292001-040 | Side Upper Frame IV | 1 | Soft Start-up |
| | 88298004-223 | Side Upper Frame IV | 1 | Standard power frequency model |
| 10 | 88298004-220 | Side Upper Frame I | 1 | |
| 11 | 88298003-833 | Side Lower Frame II | 1 | |
| 12 | 88298004-222 | Side Lower Frame III | 2 | |
| 13 | 88298003-802 | Side Lower Frame I | 2 | |
| 14 | 88298003-541 | Motor Baffle Plate | 1 | |
| 15 | 88298003-542 | Motor Baffle Plate II | 1 | |
| 16 | 88292001-165 | Top Plate Support II | 1 | |
| 17 | 88292001-160 | Top Plate Support I | 1 | |
| 18 | 88292001-048 | Rear Cover Plate | 1 | VSD |
| | 88298003-830 | Rear Cover Plate | 1 | Standard power frequency model |
| 19 | 88292001-041 | Rear Pillar | 1 | Soft Start-up/VSD |
| | 88298003-835 | Rear Pillar | 1 | Standard power frequency model |
| 20 | 88298003-832 | Rear Left Pillar | 1 | |
| 21 | 88290005-094 | Hinge | 4 | |
| 22 | 88290006-895 | Hinge | 6 | |
| 23 | 88298003-438 | Pillar | 1 | |
| 24 | 88292001-174 | Pillar Cover Plate | 1 | |
| 25 | 88813108-016 | Flanged Bolt | 142 | |
| 26 | 88813108-025 | Flanged Bolt | 6 | |
| 27 | 88292001-150 | Front Cover Plate | 1 | |
| 28 | 88292001-167 | Front Cover Plate Outlet Housing | 1 | |
| 29 | 88298003-794 | Front Right Pillar | 1 | |
| 30 | 88298003-793 | Front Left Pillar | 1 | |
| 31 | 88290022-772 | Lock | 10 | |

3.10 Decal System



DS90-145AC Series Dry-type Oil Free Screw Compressor Parts List

Illustrations and Parts List

Decal System Parts List

| No. | P/N | Name | Qty. | Remarks |
|-----|--------------|-------------------------------|------|-----------------------------|
| 1 | 88290001-279 | Warning Decal | 2 | |
| 2 | 88290001-282 | Electric Shock Warning Decal | 1 | |
| 3 | 88290001-283 | Auto Start/stop Warning Decal | 1 | |
| 4 | 88290001-292 | High-voltage Danger Decal | 1 | |
| 5 | 88290001-322 | Grounding Decal | 1 | |
| 6 | 88290001-323 | 380V Warning Decal | 1 | |
| 7 | 88290001-324 | Initial Start Label | 1 | |
| 8 | 88290004-158 | Hot Surface Warning Decal | 3 | |
| 9 | 88290004-159 | Drain Direction Decal | 4 | |
| 10 | 88290004-163 | Sullair Logo Decal | 2 | |
| 11 | 88290004-164 | Five-year Warranty Decal | 1 | |
| 12 | 88290005-334 | Nameplate | 1 | For non-exported model only |
| | 88290005-683 | Nameplate | 1 | |
| 13 | 88291007-258 | Production License Logo | 1 | |
| 14 | 88290007-896 | Air Filter Element Decal | 1 | For non-exported model |
| | 88290016-790 | Decal | 1 | For exported model |
| 15 | 88290023-001 | DS250 Decal | 1 | |
| 16 | 88290002-325 | Antifreeze Decal | 1 | |
| 17 | 88290023-002 | DRY SCREW Decal | 1 | |



Global Sales and Service



Headquarter in US: **SULLAIR CORPORATION**
Subsidiary of Hamilton-Sundstrand Corporation
3700 East Michigan Boulevard
Michigan City, Indiana 46360 U.S.A.
Telephone: 001-219-879-5451 or 1-800-Sullair (U.S.A. only)
Fax: 001-219-874-1273

SULLAIR ASIA: **SULLAIR ASIA**
Website: <http://www.sullair-asia.com> Hotline: 800-830-3977
SULLAIR Singapore: 510 Thomson Road, #13-01, SLF Building,
Singapore 298135.New - Tel (65) 6568 2800
SULLAIR Taipei: No.1, 3/F., No.248 Zhongshan Road, Linkou Town,
Taipei
Tel: 02-26013500 Fax: 02-26013032
Shenzhen Factory: Zuopaotai Road, Chiwan, Shekou, Shenzhen 518068
Tel: 0755-26851686 Fax: 0755-26835157
Suzhou Factory: No.266 Changyang Street, Singapore Industrial Park,
Suzhou 215000
Tel: 0512-87162388 Fax: 0512-87162389, 87162387

**Sullair Means Quality
Sullair Means Service**



Global Service Support and Worldwide Parts Availability

