

# Atlas Copco Stationary Air Compressors

GA 90+ , GA110, GA110+  
GA132, GA132+, GA160 , GA160+

## Parts list

- Copyright 2013, Atlas Copco Airpower n.v., Antwerp, Belgium.  
Any unauthorized use or copying of the contents or any part thereof is prohibited.  
This applies in particular to trademarks, model denominations, part numbers and drawings.
- **Use only authorized parts.** Any damage or malfunction caused by the use of unauthorized parts is not covered by Warranty or Product Liability.

No. 2930 1788 00

Registration code : APC GA>90

2013-11

[www.atlascopco.com](http://www.atlascopco.com)

**Atlas Copco**

Contents  
 Inhoud  
 Innehåll  
 Inhaltsverzeichnis  
 Table des matières  
 Indice

Indice  
 Innholdsfortegnelse  
 Indice  
 Indholdsfortegnelse  
 Sisällysluettelo

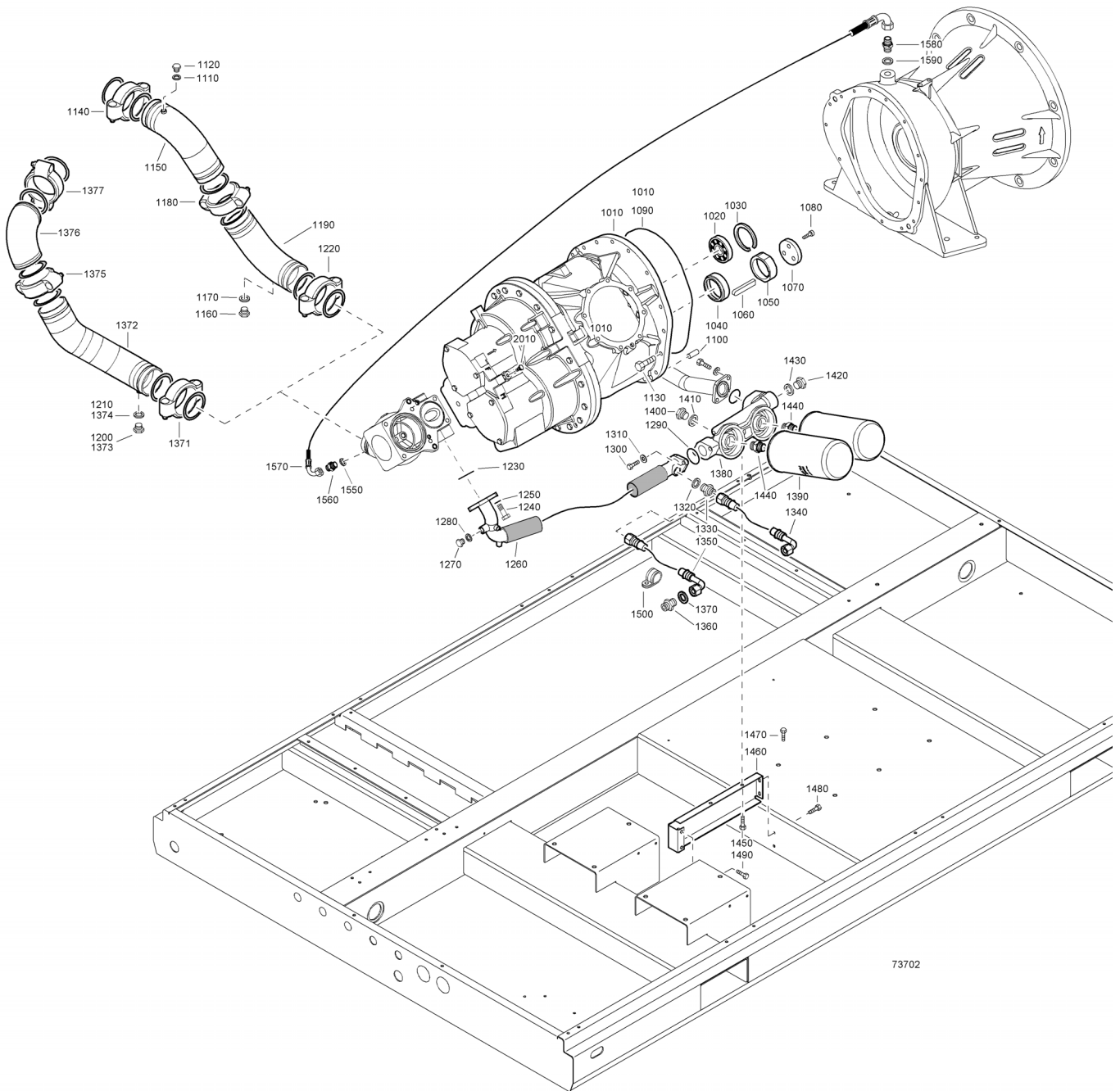
Element and connections	<b>1</b>	Air receiver .....	<b>15</b>
- 5.2bar(e) to 10.4bar(e) .....	<b>2</b>	Air outlet	
- 10bar(e) to 14bar(e) .....	<b>3</b>	- Pack .....	<b>16</b>
Gearbox		- Air outlet - Full Feature - Aircooled .....	<b>17</b>
- 5.2bar(e) to 10.4(e) .....	<b>4</b>	- Air outlet - Full Feature - Watercooled .....	<b>18</b>
- 10bar(e) to 14bar(e) .....	<b>5</b>	- Air outlet - Full Feature + DD Filter - Aircooled .....	<b>19</b>
Valves on element		- Air outlet - Full Feature + DD Filter - Watercooled .	<b>20</b>
- 5.2bar(e) to 10.4(e) .....	<b>6</b>	Air dryer	
- 10bar(e) to 14bar .....	<b>7</b>	- Heat exchanger .....	<b>21</b>
Gears		- Mechanical components - Air cooled .....	<b>22</b>
- 5.2bar(e) to 8.6bar(e) .....	<b>8</b>	- Mechanical components - Water cooled .....	<b>23</b>
- 10bar(e) to 14bar(e) .....	<b>9</b>	- Electrical components - Air cooled .....	<b>24</b>
Air inlet		- Electrical components - Water cooled .....	<b>25</b>
- Without modulating control - 5.2bar(e) to 10.4(e) .....	<b>10</b>	- Water separator drain Air cooled .....	<b>26</b>
- Without modulating control - 10bar(e) to 14bar(e) ..	<b>11</b>	- Water separator drain Water cooled .....	<b>27</b>
- With seperate air intake - 5.2bar(e) to 10.4(e) .....	<b>12</b>	- Supports - Air cooled .....	<b>28</b>
- With seperate air intake - 10bar(e) to 14bar(e) .....	<b>13</b>		
- With modulating control - 5.2 bar(e) to 10.4(e) .....	<b>14</b>		
- With modulating control - 10 bar(e) to 14 bar(e) .....			

Contents
Inhoud
Innehåll
Inhaltsverzeichnis
Table des matières
Indice

Indice
Innholdsfortegnelse
Indice
Indholdsfortegnelse
Sisällysluettelo

- Supports - Water cooled .....	29		
Cooling system		Water System	
- Cooler(s) - Aircooled .....	30	- Watercooled .....	43
- Cooler(s) - Aircooled - With ENergy REcovery .....	31	Motor and coupling .....	44
- Piping - Aircooled - With ENergy REcovery .....	32	Motor supports	
- Baffles - Aircooled .....	33	- Aircooled .....	45
- Level device - Aircooled .....	34	- Watercooled .....	46
- Fan - Aircooled .....	35	Drain system	
- Cooler - Watercooled GA 90+ to 110+ .....	36	- Basic + DD-filter - Full Feature .....	47
- Cooler - Watercooled GA 132+ to 160+ .....	37	Regulating system .....	48
- Cooler - Watercooled - With ENergy REcovery GA 90+ to 110+ .....	38	Cubicle converter .....	49
- Cooler - Watercooled - With ENergy REcovery GA 132+ to 160+ .....	39	Bodywork	
- Piping - Watercooled - With Energy REcovery GA 90+ to 110+ .....	40	- Aircooled .....	50
- Piping - Watercooled - With Energy REcovery GA 132+ to 160+ .....	41	- Aircooled - NEMA 4 .....	51
- Baffles - Watercooled .....	42	- Watercooled .....	52
		- Watercooled - NEMA 4 .....	53
		- Dryer baffles .....	54
		Option(s) .....	55

1



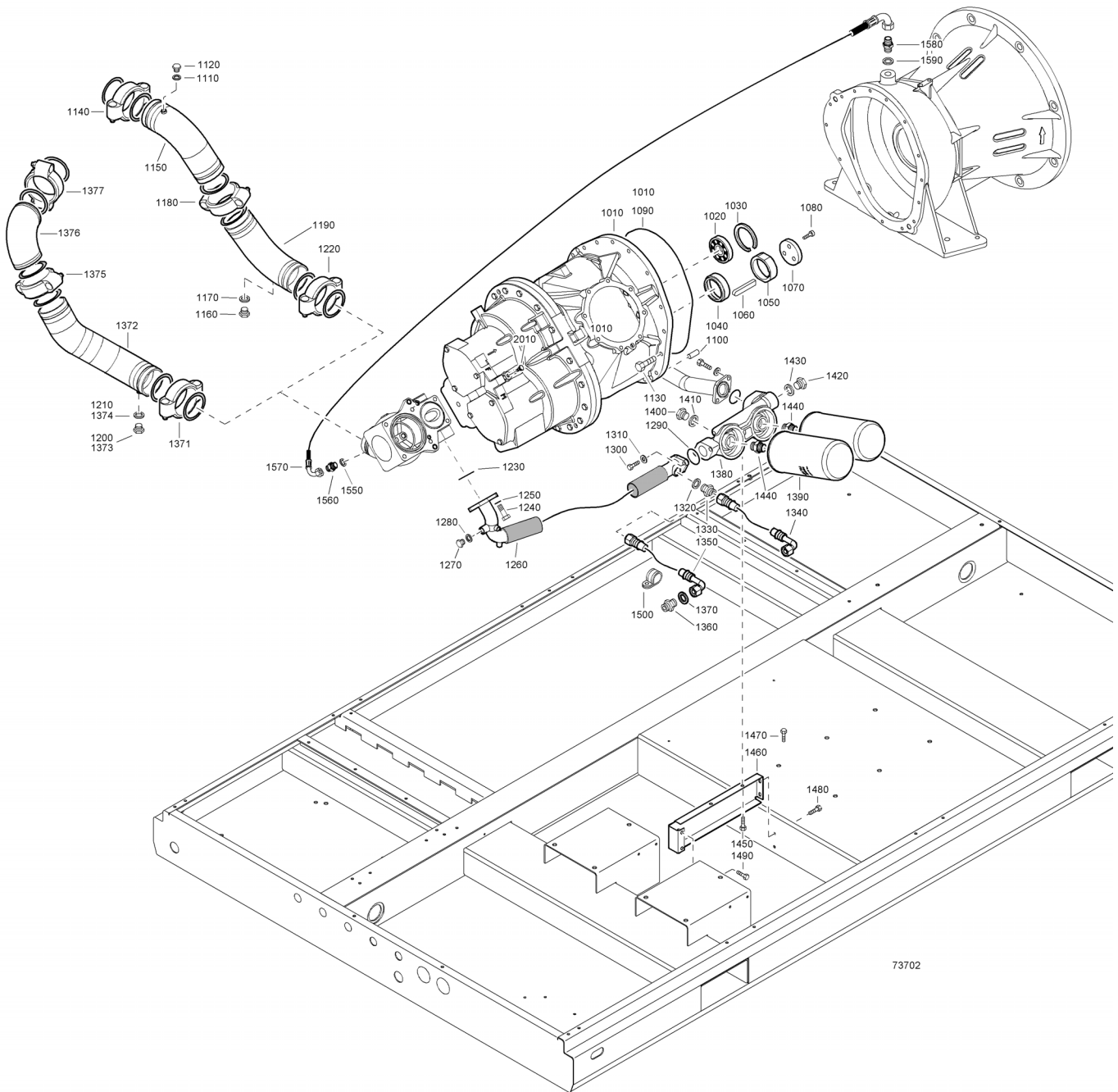
73702

## Element and connections - 5.2bar(e) to 10.4bar(e)

1

Ref.	Partnumber	Qty	Name	Remarks	Ref.	Partnumber	Qty	Name	Remarks
			<b>Air cooled</b>					<b>8.6 bar(e)</b>	
			<b>GA90+</b>					<b>10 bar(e)</b>	
			<b>GA110+</b>		1010	1616 7345 92	1	Element compr.	
			<b>GA132+</b>		1020	0508 1158 01	1	Bearing	
			<b>GA160</b>		1030	0335 2160 00	1	Circlip	
			<b>5.2 bar(e)</b>		1040	1621 7324 00	1	Bushing	
			<b>5.5 bar(e)</b>		1050	1621 7326 00	1	Bushing	
			<b>6.9 bar(e)</b>		1060	0337 0009 92	1	Key parallel	
			<b>7.5 bar(e)</b>		1070	2252 5470 00	1	Washer	
			<b>8.5 bar(e)</b>		1080	0211 1407 00	3	Cap screw	
			<b>8.6 bar(e)</b>		1090	0663 2114 07	1	O-ring	
			<b>10.4 bar(e)</b>		1100	0101 1626 00	2	Pin	
1010	1616 7345 92	1	Service stage		1110	0661 1000 25	1	Seal washer	
1020	0508 1158 01	1	Bearing		1120	0686 3716 01	1	Plug	
1030	0335 2160 00	1	Circlip		1130	0147 1405 03	15	Bolt	
1040	1621 7324 00	1	Bushing		1140	0634 1001 45	1	Coupling	
1050	1621 7326 00	1	Bushing		1150	1623 0747 00	1	Pipe	
1060	0337 0009 92	1	Key parallel		1160	0686 3716 01	1	Plug	
1070	2252 5470 00	1	Washer		1170	0661 1000 25	1	Seal washer	
1080	0211 1407 00	3	Cap screw		1180	0634 1001 45	1	Coupling	
1090	0663 2114 07	1	O-ring		1190	1623 0747 00	1	Pipe	
1100	0101 1626 00	2	Pin		1200	0686 3716 01	1	Plug	
1110	0661 1000 25	1	Seal washer		1210	0661 1000 25	1	Seal washer	
1120	0686 3716 01	1	Plug		1220	0634 1001 45	1	Coupling	
1130	0147 1405 03	15	Bolt		1230	0663 2109 68	1	O-ring	
1140	0634 1001 45	1	Coupling		1240	0147 1363 03	2	Bolt	
1150	1623 0736 00	1	Pipe		1250	0301 2344 00	2	Washer	
1160	0686 3716 01	1	Plug		1260	1623 1368 00	1	Hose assembly	
1170	0661 1000 25	1	Seal washer		1270	0686 3716 01	1	Plug	
1180	0634 1001 45	1	Coupling		1280	0661 1000 25	1	Seal washer	
1190	1623 0736 00	1	Pipe		1290	0663 2105 48	1	O-ring	
1200	0686 3716 01	1	Plug		1300	0147 1363 03	2	Bolt	
1210	0661 1000 25	1	Seal washer		1310	0301 2344 00	2	Washer	
1220	0634 1001 45	1	Coupling		1320	0661 1000 29	3	Seal washer	
1230	0663 2109 68	1	O-ring		1330	1079 5840 29	3	Hexagon nipple	
1240	0147 1363 03	2	Bolt		1340	0574 9871 06	1	Flexible	
1250	0301 2344 00	2	Washer		1350	0574 9871 09	1	Hose assembly	
1260	1623 1367 00	1	Hose assembly		1360	1079 5840 15	1	Nipple	
1270	0686 3716 01	1	Plug		1370	0661 1000 27	1	Seal washer	
1280	0661 1000 25	1	Seal washer		1380	1623 0382 00	1	Housing filter	
1290	0663 2105 48	1	O-ring		1390	1621 7378 00	2	Filter	
1300	0147 1363 03	2	Bolt		1400	0686 3716 01	1	Plug	
1310	0301 2344 00	2	Washer		1410	0661 1000 25	1	Seal washer	
1320	0661 1000 29	3	Seal washer		1420	0686 3716 10	1	Plug	
1330	1079 5840 29	3	Hexagon nipple		1430	0661 1000 32	1	Seal washer	
1340	0574 9871 06	1	Flexible		1440	1623 1451 00	2	Nipple	
1350	0574 9871 09	1	Hose assembly		1450	0147 1359 03	2	Bolt	
1360	1079 5840 15	1	Nipple		1460	1623 0582 00	1	Support	
1370	0661 1000 27	1	Seal washer		1470	0147 1362 03	2	Bolt	
1380	1623 0382 00	1	Housing filter		1480	0147 1963 08	2	Hexagon bolt	
1390	1621 7378 00	2	Filter		1490	1619 2766 00	2	Bolt	
1400	0686 3716 01	1	Plug		1500	0346 1002 10	2	Pipe clamp	
1410	0661 1000 25	1	Seal washer					<b>GA 110+</b>	
1420	0686 3716 10	1	Plug					<b>GA 132+</b>	
1430	0661 1000 32	1	Seal washer					<b>GA 160</b>	
1440	1623 1451 00	2	Nipple					<b>GA 160+</b>	
1450	0147 1359 03	2	Bolt					<b>6.9bar(e)</b>	
1460	1623 0582 00	1	Support					<b>8.6bar(e)</b>	
1470	0147 1362 03	2	Bolt					<b>10bar(e)</b>	
1480	0147 1963 08	2	Hexagon bolt					<b>10.4bar(e)</b>	
1490	1619 2766 00	2	Bolt		1010	1616 7345 92	1	Service stage	
1500	0346 1002 10	2	Pipe clamp		1020	0508 1158 01	1	Bearing	
			<b>5.5 bar(e)</b>		1030	0335 2160 00	1	Circlip	
			<b>7.5 bar(e)</b>		1040	1621 7324 00	1	Bushing	
			<b>8.5 bar(e)</b>		1050	1621 7326 00	1	Bushing	

1

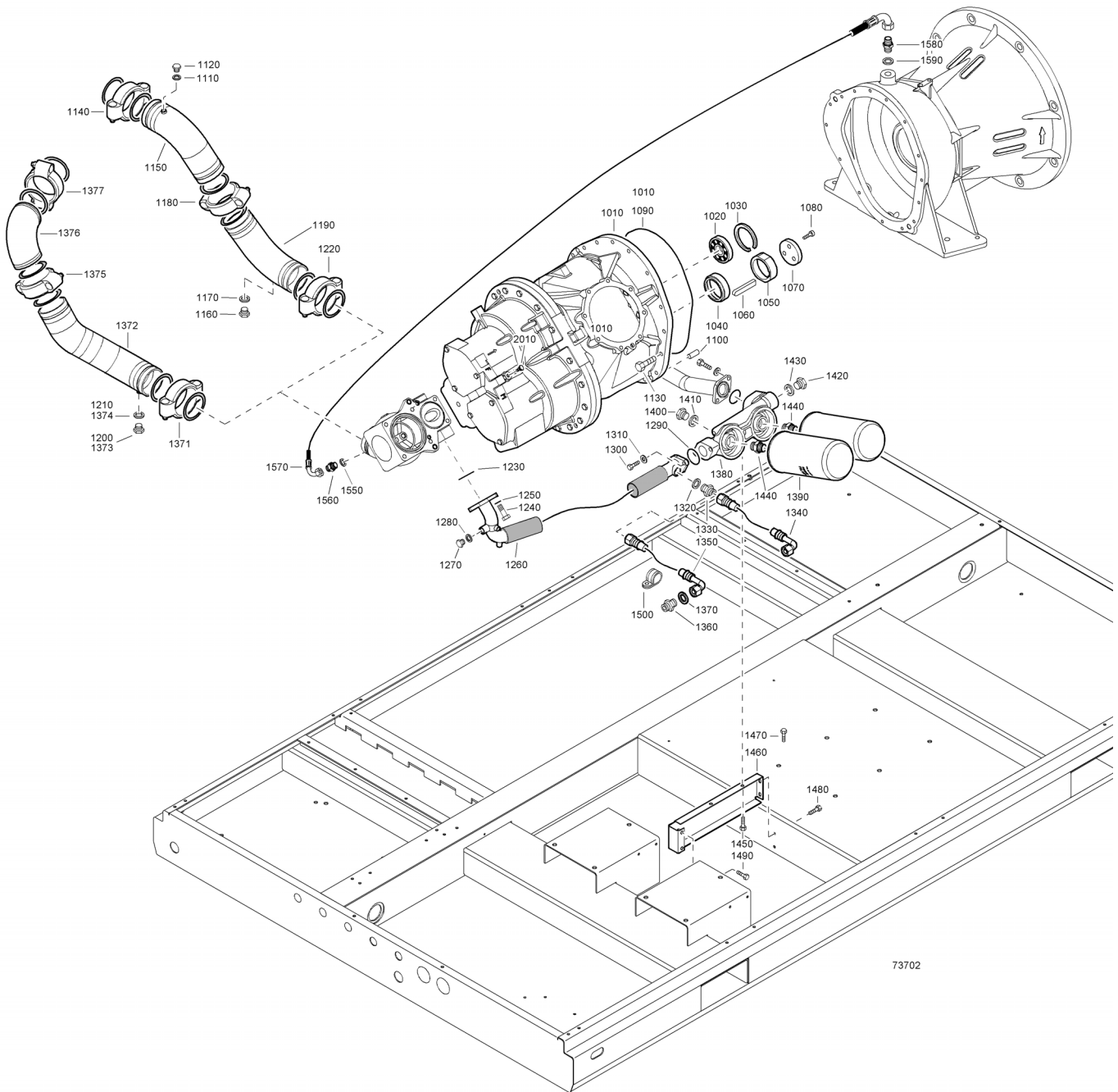


73702

## Element and connections - 5.2bar(e) to 10.4bar(e)

Ref.	Partnumber	Qty	Name	Remarks	Ref.	Partnumber	Qty	Name	Remarks
1060	0337000992	1	Key parallel		1050	1621732600	1	Bushing	
1070	2252547000	1	Washer		1060	0337000992	1	Key parallel	
1080	0211140700	3	Cap screw		1070	2252547000	1	Washer	
1090	0663211407	1	O-ring		1080	0211140700	3	Cap screw	
1100	0101162600	2	Pin		1090	0663211407	1	O-ring	
1110	0661100025	1	Seal washer		1100	0101162600	2	Pin	
1120	0686371601	1	Plug		1110	0661100025	1	Seal washer	
1130	0147140503	15	Bolt		1120	0686371601	1	Plug	
1140	0634100145	2	Coupling		1130	0147140503	15	Bolt	
1150	1623074700	1	Pipe		1140	0634100145	1	Coupling	
1160	0686371601	1	Plug		1150	1623073600	1	Pipe	
1170	0661100025	1	Seal washer		1160	0686371601	1	Plug	
1180	0634100145	1	Coupling		1170	0661100025	1	Seal washer	
1190	1623074700	1	Pipe		1180	0634100145	2	Coupling	
1200	0686371601	1	Plug		1190	1623073600	1	Pipe	
1210	0661100025	1	Seal washer		1200	0686371601	1	Plug	
1220	0634100145	1	Coupling		1210	0661100025	1	Seal washer	
1230	0663210968	1	O-ring		1220	0634100145	1	Coupling	
1240	0147136303	2	Bolt		1230	0663210968	1	O-ring	
1250	0301234400	2	Washer		1240	0147136303	2	Bolt	
1260	1623136800	1	Hose assembly		1250	0301234400	2	Washer	
1270	0686371601	1	Plug		1260	1623136700	1	Hose assembly	
1280	0661100025	1	Seal washer		1270	0686371601	1	Plug	
1290	0663210548	1	O-ring		1280	0661100025	1	Seal washer	
1300	0147136303	2	Bolt		1290	0663210548	1	O-ring	
1310	0301234400	2	Washer		1300	0147136303	2	Bolt	
1320	0661100029	3	Seal washer		1310	0301234400	2	Washer	
1330	1079584029	3	Hexagon nipple		1320	0661100029	3	Seal washer	
1340	0574987106	1	Flexible		1330	1079584029	3	Hexagon nipple	
1350	0574987109	1	Hose assembly		1340	0574987106	1	Flexible	
1360	1079584015	1	Nipple		1350	0574987109	1	Hose assembly	
1370	0661100027	1	Seal washer		1360	1079584015	1	Nipple	
1380	1623038200	1	Housing		1370	0661100027	1	Seal washer	
1390	1621737800	2	Filter		1380	1623038200	1	Housing	
1400	0686371601	1	Plug		1390	1621737800	2	Filter	
1410	0661100025	1	Seal washer		1400	0686371601	1	Plug	
1420	0686371610	1	Plug		1410	0661100025	1	Seal washer	
1430	0661100032	1	Seal washer		1420	0686371610	1	Plug	
1440	1623145100	2	Nipple		1430	0661100032	1	Seal washer	
1450	0147135903	2	Bolt		1440	1623145100	2	Nipple	
1460	1623058200	1	Support		1450	0147135903	2	Bolt	
1470	0147136203	2	Bolt		1460	1623058200	1	Support	
1480	0147196308	2	Hexagon bolt		1470	0147136203	2	Bolt	
1490	1619276600	2	Bolt		1480	0147196308	2	Hexagon bolt	
1500	0346100210	2	Pipe clamp		1490	1619276600	2	Bolt	
1550	0661100025	1	Seal washer		1500	0346100210	2	Pipe clamp	
1560	1619520500	1	Nipple		1550	0661100025	1	Seal washer	
1570	0575040139	1	Hose assembly		1560	1619520500	1	Nipple	
1580	1623308200	1	Nozzle		1570	0575040139	1	Hose assembly	
1590	0661100025	1	Seal washer		1580	1623308200	1	Nozzle	
			<b>GA 132+</b>		1590	0661100025	1	Seal washer	
			<b>GA 160</b>					<b>Water cooled</b>	
			<b>GA 160+</b>					<b>GA90+</b>	
			<b>6.9bar(e)</b>					<b>GA110+</b>	
			<b>8.5bar(e)</b>					<b>GA132+</b>	
			<b>8.5bar(e) - High ambient</b>					<b>GA160</b>	
			<b>condition</b>					<b>5.2 bar(e)</b>	
			<b>8.6bar(e)</b>					<b>5.5 bar(e)</b>	
			<b>10bar(e)</b>					<b>6.9 bar(e)</b>	
			<b>10.4bar(e) - High ambient</b>					<b>7.5 bar(e)</b>	
			<b>condition</b>					<b>8.5 bar(e)</b>	
								<b>8.6 bar(e)</b>	
1010	1616734592	1	Service stage		1010	1616734592	1	Service stage	
1020	0508115801	1	Bearing		1020	0508115801	1	Bearing	
1030	0335216000	1	Circlip						
1040	1621732400	1	Bushing						

1



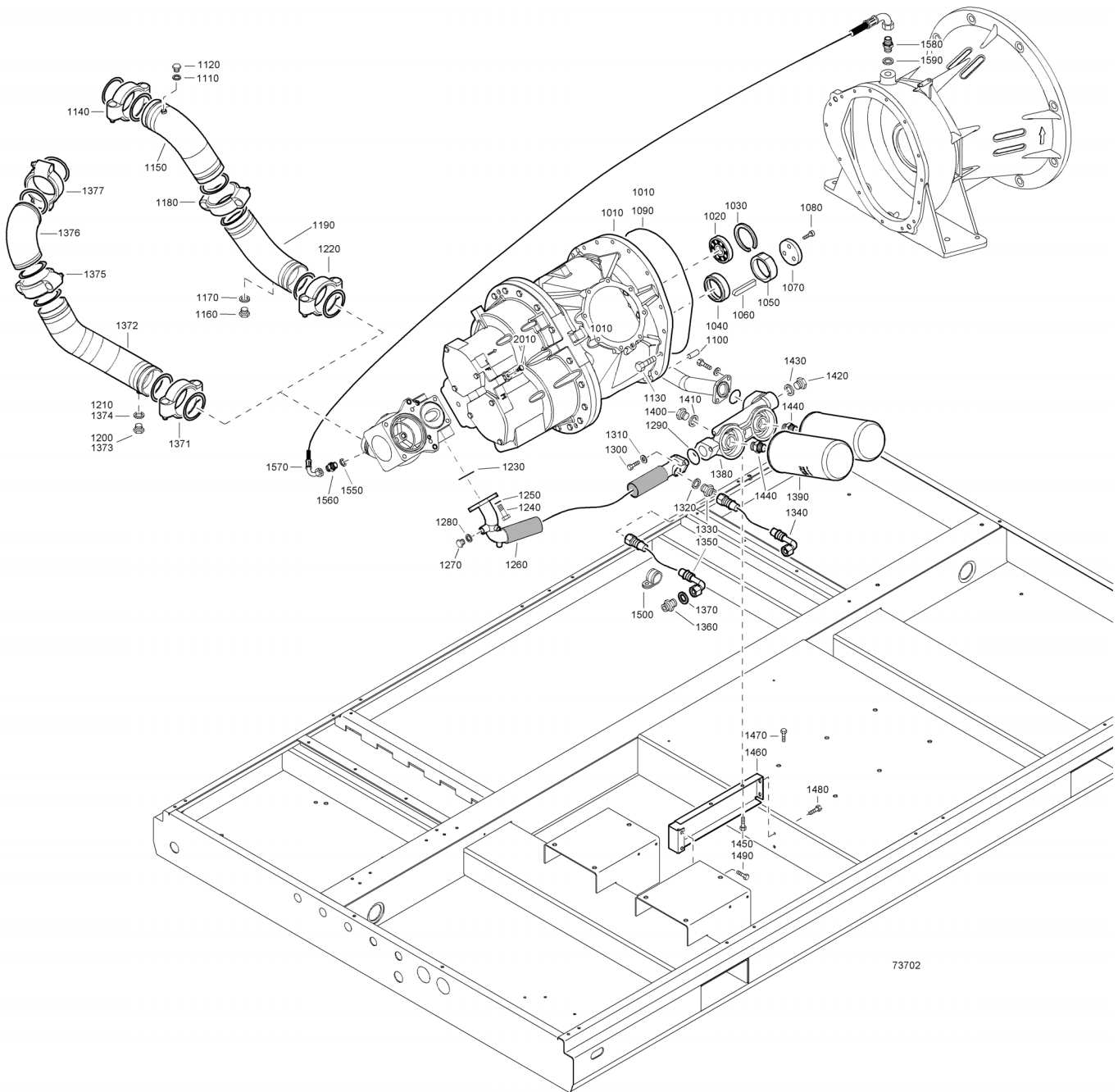
73702



## Element and connections - 5.2bar(e) to 10.4bar(e)

Ref.	Partnumber	Qty	Name	Remarks	Ref.	Partnumber	Qty	Name	Remarks
1030	0335 2160 00	1	Circlip		1090	0663 2114 07	1	O-ring	
1050	1621 7326 00	1	Bushing		1100	0101 1626 00	2	Pin	
1060	0337 0009 92	1	Key parallel		1110	0661 1000 25	1	Seal washer	
1070	2252 5470 00	1	Washer		1120	0686 3716 01	1	Plug	
1080	0211 1407 00	3	Cap screw		1130	0147 1405 03	15	Bolt	
1090	0663 2114 07	1	O-ring		1230	0663 2109 68	1	O-ring	
1100	0101 1626 00	2	Pin		1240	0147 1363 03	2	Bolt	
1110	0661 1000 25	1	Seal washer		1250	0301 2344 00	2	Washer	
1120	0686 3716 01	1	Plug		1260	1623 1368 00	1	Hose assembly	
1130	0147 1405 03	15	Bolt		1270	0686 3716 01	1	Plug	
1230	0663 2109 68	1	O-ring		1280	0661 1000 25	1	Seal washer	
1240	0147 1363 03	2	Bolt		1290	0663 2105 48	1	O-ring	
1250	0301 2344 00	2	Washer		1300	0147 1363 03	2	Bolt	
1260	1623 1367 00	1	Hose assembly		1310	0301 2344 00	2	Washer	
1270	0686 3716 01	1	Plug		1320	0661 1000 29	3	Seal washer	
1280	0661 1000 25	1	Seal washer		1322	1079 5840 29	3	Hexagon nipple	
1290	0663 2105 48	1	O-ring		1340	0574 9871 06	1	Flexible	
1300	0147 1363 03	2	Bolt		1350	0574 9871 09	1	Hose assembly	
1310	0301 2344 00	2	Washer		1360	1079 5840 15	1	Nipple	
1320	0661 1000 29	3	Seal washer		1370	0661 1000 27	1	Seal washer	
1322	1079 5840 29	3	Hexagon nipple		1371	0634 1001 45	1	Coupling	
1340	0574 9871 06	1	Flexible		1372	1623 0974 00	1	Pipe	
1350	0574 9871 09	1	Hose assembly		1373	0686 3716 01	1	Plug	
1360	1079 5840 15	1	Nipple		1374	0661 1000 25	1	Seal washer	
1370	0661 1000 27	1	Seal washer		1375	0634 1001 45	1	Coupling	
1371	0634 1001 45	1	Coupling		1376	0634 1001 48	1	Pipe bent	
1372	1623 0975 00	1	Pipe		1377	0634 1001 45	1	Coupling	
1373	0686 3716 01	1	Plug		1380	1623 0382 00	1	Housing filter casting	
1374	0661 1000 25	1	Seal washer		1390	1621 7378 00	2	Filter	
1375	0634 1001 45	1	Coupling		1400	0686 3716 01	1	Plug	
1376	0634 1001 48	1	Pipe bent		1410	0661 1000 25	1	Seal washer	
1377	0634 1001 45	1	Coupling		1420	0686 3716 10	1	Plug	
1380	1623 0382 00	1	Housing filter		1430	0661 1000 32	1	Seal washer	
1390	1621 7378 00	2	Filter		1440	1623 1451 00	2	Nipple	
1400	0686 3716 01	1	Plug		1450	0147 1359 03	2	Bolt	
1410	0661 1000 25	1	Seal washer		1460	1623 0582 00	1	Support	
1420	0686 3716 10	1	Plug		1470	0147 1362 03	2	Bolt	
1430	0661 1000 32	1	Seal washer		1480	0147 1963 08	2	Hexagon bolt	
1440	1623 1451 00	2	Nipple		1490	1619 2766 00	2	Bolt	
1450	0147 1359 03	2	Bolt		1500	0346 1002 10	2	Pipe clamp	
1460	1623 0582 00	1	Support		1510	0147 1322 03	2	Bolt	
1470	0147 1362 03	2	Bolt		1520	0301 2335 00	2	Washer	
1480	0147 1963 08	2	Hexagon bolt		1530	0266 1110 00	2	Nut	
1490	1619 2766 00	2	Bolt					<b>GA 110+</b>	
1500	0346 1002 10	2	Pipe clamp					<b>GA 132+</b>	
1510	0147 1322 03	2	Bolt					<b>GA 160</b>	
1520	0301 2335 00	2	Washer					<b>GA 160+</b>	
1530	0266 1110 00	2	Nut					<b>6.9bar(e)</b>	
			<b>GA90+</b>					<b>8.6bar(e)</b>	
			<b>GA110+</b>					<b>10bar(e)</b>	
			<b>GA132+</b>					<b>10.4bar(e)</b>	
			<b>5.2 bar(e)</b>		1010	1616 7345 92	1	Service stage	
			<b>5.5 bar(e)</b>		1020	0508 1158 01	1	Bearing	
			<b>7.5 bar(e)</b>		1030	0335 2160 00	1	Circlip	
			<b>8.5 bar(e)</b>		1040	1621 7324 00	1	Bushing	
			<b>8.6 bar(e)</b>		1050	1621 7326 00	1	Bushing	
			<b>10 bar(e)</b>		1060	0337 0009 92	1	Key parallel	
1010	1616 7345 92	1	Element compr.		1070	2252 5470 00	1	Washer	
1020	0508 1158 01	1	Bearing		1080	0211 1407 00	3	Cap screw	
1030	0335 2160 00	1	Circlip		1090	0663 2114 07	1	O-ring	
1040	1621 7324 00	1	Bushing		1100	0101 1626 00	2	Pin	
1050	1621 7326 00	1	Bushing		1110	0661 1000 25	1	Seal washer	
1060	0337 0009 92	1	Key parallel		1120	0686 3716 01	1	Plug	
1070	2252 5470 00	1	Washer		1130	0147 1405 03	15	Bolt	
1080	0211 1407 00	3	Cap screw		1230	0663 2109 68	1	O-ring	

1



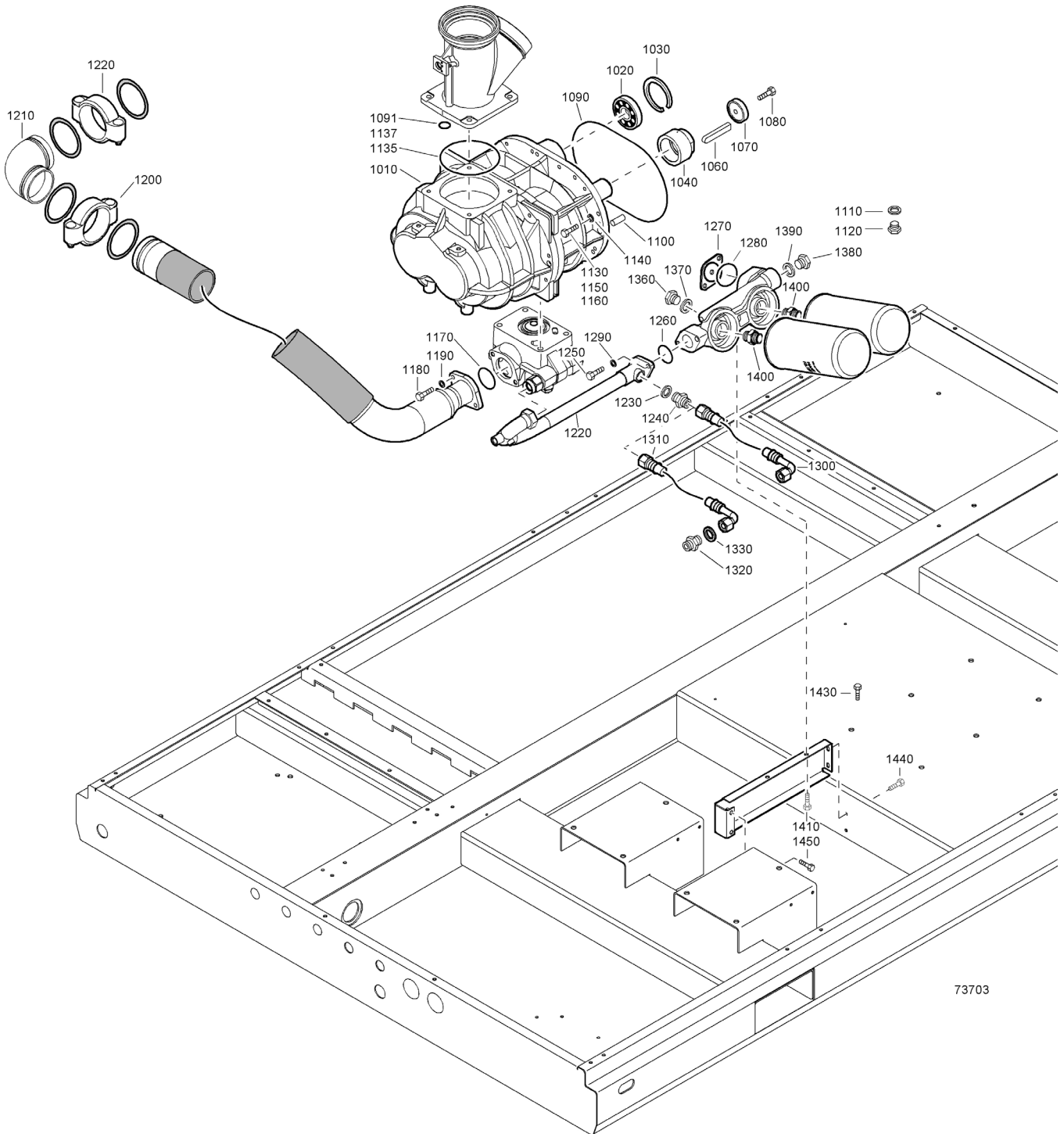
73702

## Element and connections - 5.2bar(e) to 10.4bar(e)

1

Ref.	Part number	Qty	Name	Remarks	Ref.	Part number	Qty	Name	Remarks
1240	0147 1363 03	2	Bolt		1020	0508 1158 01	1	Bearing	
1250	0301 2344 00	2	Washer		1030	0335 2160 00	1	Circlip	
1260	1623 1368 00	1	Hose assembly		1040	1621 7324 00	1	Bushing	
1270	0686 3716 01	1	Plug		1060	0337 0009 92	1	Key parallel	
1280	0661 1000 25	1	Seal washer		1070	2252 5470 00	1	Washer	
1290	0663 2105 48	1	O-ring		1080	0211 1407 00	3	Cap screw	
1300	0147 1363 03	2	Bolt		1090	0663 2114 07	1	O-ring	
1310	0301 2344 00	2	Washer		1100	0101 1626 00	2	Pin	
1320	0661 1000 29	3	Seal washer		1110	0661 1000 25	1	Seal washer	
1322	1079 5840 29	3	Hexagon nipple		1120	0686 3716 01	1	Plug	
1340	0574 9871 06	1	Flexible		1130	0147 1405 03	15	Bolt	
1350	0574 9871 09	1	Hose assembly		1230	0663 2109 68	1	O-ring	
1360	1079 5840 15	1	Nipple		1240	0147 1363 03	2	Bolt	
1370	0661 1000 27	1	Seal washer		1250	0301 2344 00	2	Washer	
1371	0634 1001 45	1	Coupling		1260	1623 1367 00	1	Hose assembly	
1372	1623 0974 00	1	Pipe		1270	0686 3716 01	1	Plug	
1373	0686 3716 01	1	Plug		1371	0634 1001 45	1	Coupling	
1374	0661 1000 25	1	Seal washer		1372	1623 0975 00	1	Pipe	
1375	0634 1001 45	1	Coupling		1373	0686 3716 01	1	Plug	
1376	0634 1001 48	1	Pipe		1374	0661 1000 25	1	Seal washer	
1377	0634 1001 45	1	Coupling		1375	0634 1001 45	1	Coupling	
1380	1623 0382 00	1	Housing		1376	0634 1001 48	1	Pipe	
1390	1621 7378 00	2	Filter		1377	0634 1001 45	1	Coupling	
1400	0686 3716 01	1	Plug		1280	0661 1000 25	1	Seal washer	
1410	0661 1000 25	1	Seal washer		1290	0663 2105 48	1	O-ring	
1420	0686 3716 10	1	Plug		1300	0147 1363 03	2	Bolt	
1430	0661 1000 32	1	Seal washer		1310	0301 2344 00	2	Washer	
1440	1623 1451 00	2	Nipple		1320	0661 1000 29	3	Seal washer	
1450	0147 1359 03	2	Bolt		1322	1079 5840 29	3	Hexagon nipple	
1460	1623 0582 00	1	Support		1340	0574 9871 06	1	Flexible	
1470	0147 1362 03	2	Bolt		1350	0574 9871 09	1	Hose assembly	
1480	0147 1963 08	2	Hexagon bolt		1360	1079 5840 15	1	Nipple	
1490	1619 2766 00	2	Bolt		1370	0661 1000 27	1	Seal washer	
1500	0346 1002 10	2	Pipe clamp		1380	1623 0382 00	1	Housing	
1510	0147 1322 03	2	Bolt		1390	1621 7378 00	2	Filter	
1520	0301 2335 00	2	Washer		1400	0686 3716 01	1	Plug	
1530	0266 1110 00	2	Nut		1410	0661 1000 25	1	Seal washer	
1550	0661 1000 25	1	Seal washer		1420	0686 3716 10	1	Plug	
1560	1619 5205 00	1	Nipple		1430	0661 1000 32	1	Seal washer	
1570	0575 0401 39	1	Hose assembly		1440	1623 1451 00	2	Nipple	
1580	1623 3082 00	1	Nozzle		1450	0147 1359 03	2	Bolt	
1590	0661 1000 25	1	Seal washer		1460	1623 0582 00	1	Support	
			<b>GA 132+</b>		1470	0147 1362 03	2	Bolt	
			<b>GA 160</b>		1480	0147 1963 08	2	Hexagon bolt	
			<b>GA 160+</b>		1490	1619 2766 00	2	Bolt	
			<b>6.9bar(e)</b>		1500	0346 1002 10	2	Pipe clamp	
			<b>8.5bar(e)</b>		1510	0147 1322 03	2	Bolt	
			<b>8.5bar(e) - High ambient condition</b>		1520	0301 2335 00	2	Washer	
			<b>8.6bar(e)</b>		1530	0266 1110 00	2	Nut	
			<b>10bar(e)</b>		1550	0661 1000 25	1	Seal washer	
			<b>10.4bar(e) - High ambient condition</b>		1560	1619 5205 00	1	Nipple	
					1570	0575 0401 39	1	Hose assembly	
1010	1616 7345 92	1	Service stage		1580	1623 3082 00	1	Nozzle	
					1590	0661 1000 25	1	Seal washer	

2



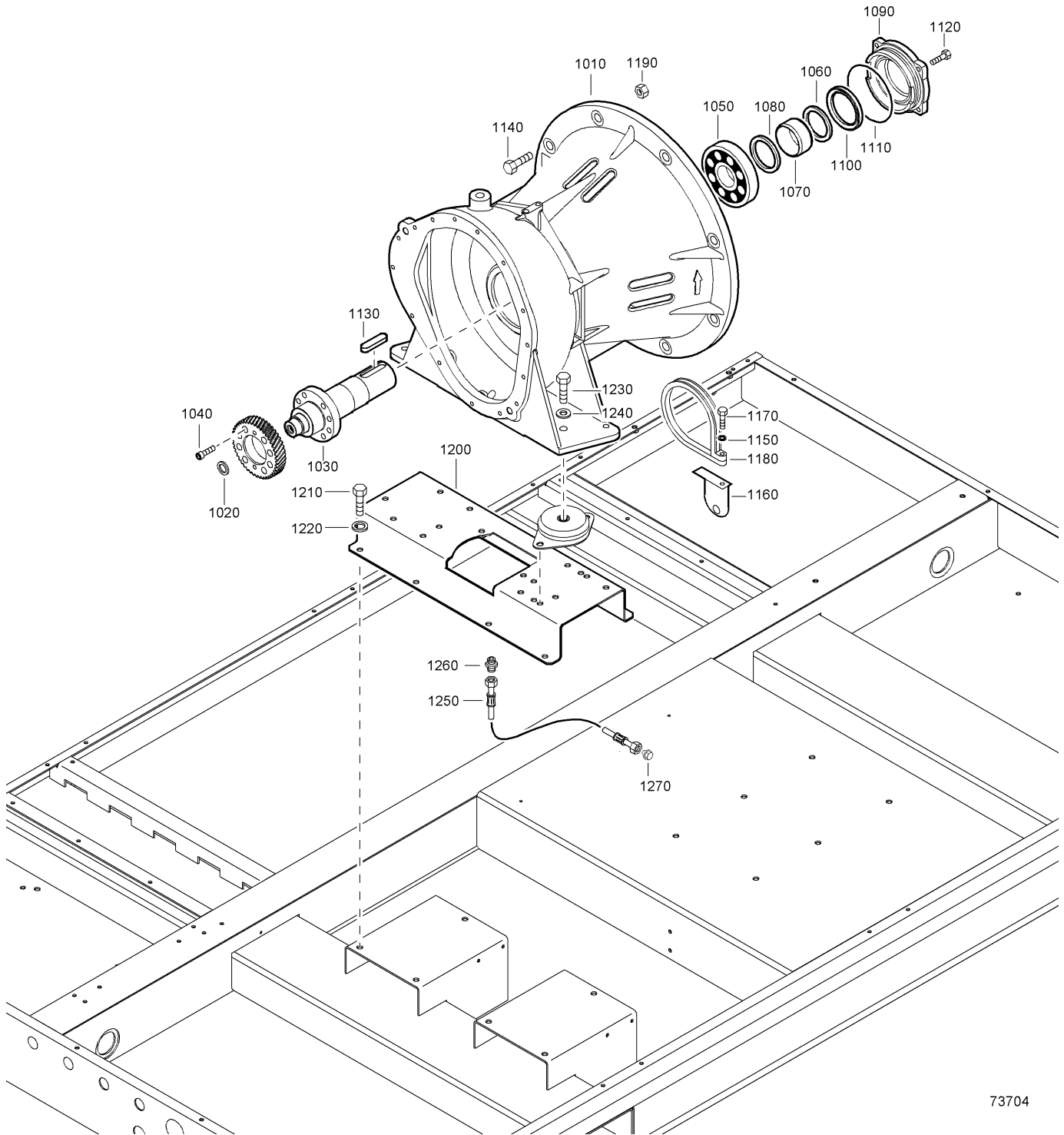
73703

## Element and connections - 10bar(e) to 14bar(e)

2

Ref.	Partnumber	Qty	Name	Remarks	Ref.	Partnumber	Qty	Name	Remarks
			<b>Air cooled</b>					<b>Water cooled</b>	
			<b>GA90+</b>					<b>GA90+</b>	
			<b>GA110</b>					<b>GA110</b>	
			<b>GA110+</b>					<b>GA110+</b>	
			<b>GA132</b>					<b>GA132</b>	
			<b>GA132+</b>					<b>GA132+</b>	
			<b>10 bar(e)</b>					<b>10 bar(e)</b>	
			<b>10.4 bar(e)</b>					<b>10.4 bar(e)</b>	
			<b>13.8 bar(e)</b>					<b>13.8 bar(e)</b>	
			<b>14 bar(e)</b>					<b>14 bar(e)</b>	
1010	1616 7409 90	1	Element		1010	1616 7409 90	1	Element	
1020	0508 1158 01	1	Bearing		1020	0508 1158 01	1	Bearing	
1030	0335 2160 00	1	Circlip		1030	0335 2160 00	1	Circlip	
1060	0337 0009 77	1	Key parallel		1040	1623 1476 00	1	Spacer	
1070	1623 0367 00	1	Washer		1060	0337 0009 77	1	Key parallel	
1080	0211 1409 00	1	Cap screw		1070	1623 0367 00	1	Washer	
1090	0663 2109 78	1	O-ring		1080	0211 1409 00	1	Cap screw	
1091	0663 2111 46	1	O-ring		1090	0663 2109 78	1	O-ring	
1100	0101 1626 00	2	Pin		1091	0663 2111 46	1	O-ring	
1110	0661 1000 25	1	Seal washer		1100	0101 1626 00	2	Pin	
1120	0686 3716 01	1	Plug		1100	0661 1000 25	1	Seal washer	
1130	0147 1365 03	3	Bolt		1120	0686 3716 01	1	Plug	
1140	0301 2344 00	3	Washer		1130	0147 1365 03	3	Bolt	
1150	0147 1366 03	3	Bolt		1140	0301 2344 00	3	Washer	
1160	0211 1366 03	2	O-ring		1150	0147 1366 03	3	Bolt	
1170	0663 7138 00	1	O-ring		1170	0663 7138 00	1	O-ring	
1180	0147 1363 03	2	Bolt		1180	0147 1363 03	2	Bolt	
1190	0301 2344 00	2	Washer		1190	0301 2344 00	2	Washer	
1200	0634 1001 45	1	Coupling		1200	0634 1001 45	1	Coupling	
1230	0661 1000 29	3	Seal washer		1210	0634 1001 48	1	Pipe bent	
1240	1079 5840 29	3	Hexagon nipple		1220	0634 1001 45	1	Coupling	
1250	0147 1962 64	2	Bolt		1230	0661 1000 29	3	Seal washer	
1260	0663 2109 68	1	O-ring		1240	1079 5840 29	3	Hexagon nipple	
1270	1623 2168 00	1	Flange		1250	0147 1962 64	2	Bolt	
1280	0663 2109 68	1	O-ring		1260	0663 2109 68	1	O-ring	
1290	0301 2344 00	2	Washer		1270	1623 2168 00	1	Flange	
1300	0574 9871 06	1	Flexible		1280	0663 2109 68	1	O-ring	
1310	0574 9871 09	1	Hose assembly		1290	0301 2344 00	2	Washer	
1320	1079 5840 15	1	Nipple		1300	0574 9871 06	1	Flexible	
1330	0661 1000 27	1	Seal washer		1310	0574 9871 09	1	Hose assembly	
1360	0686 3716 01	1	Plug		1320	1079 5840 15	1	Nipple	
1370	0661 1000 25	1	Seal washer		1330	0661 1000 27	1	Seal washer	
1380	0686 3716 10	1	Plug		1360	0686 3716 01	1	Plug	
1390	0661 1000 32	1	Seal washer		1370	0661 1000 25	1	Seal washer	
1400	1623 1451 00	2	Nipple		1380	0686 3716 10	1	Plug	
1410	0147 1359 03	2	Bolt		1390	0661 1000 32	1	Seal washer	
1430	0147 1362 03	2	Bolt		1400	1623 1451 00	2	Nipple	
1440	0147 1963 08	2	Hexagon bolt		1410	0147 1359 03	2	Bolt	
1450	1619 2766 00	2	Bolt		1430	0147 1362 03	2	Bolt	
					1440	0147 1963 08	2	Hexagon bolt	
					1450	1619 2766 00	2	Bolt	

# 3



73704

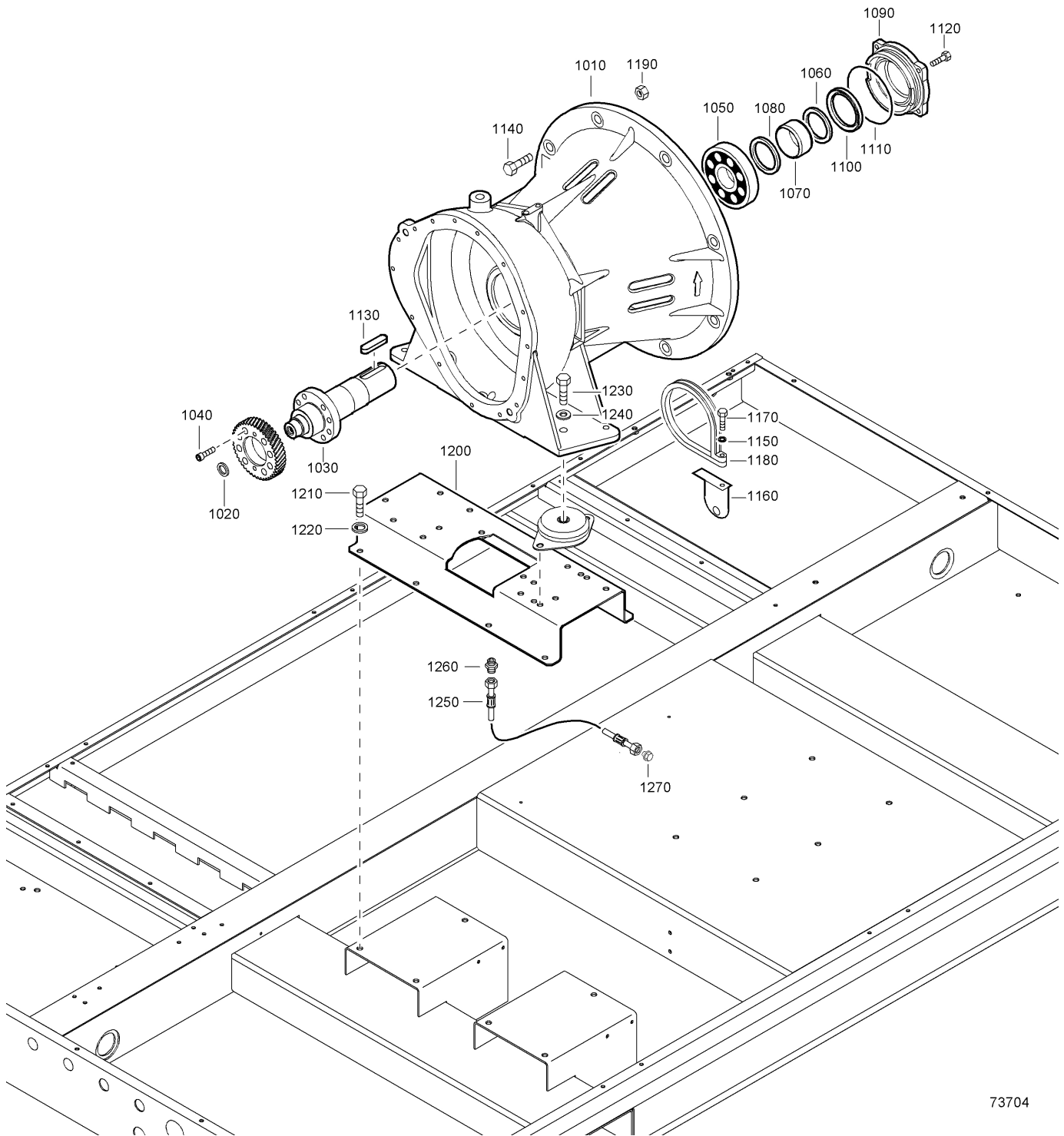
73704

## Gearbox - 5.2bar(e) to 10.4bar(e)

3

Ref.	Part number	Qty	Name	Remarks	Ref.	Part number	Qty	Name	Remarks
			<b>Air cooled</b>		1190	0266 2116 00	8	Nut	
			<b>GA90+</b>		1200	1623 0187 00	1	Plate	
			<b>GA110+</b>		1210	0147 1401 03	6	Bolt	
			<b>GA132+</b>		1220	0301 2358 00	6	Washer	
			<b>GA160</b>		1230	0147 1479 03	2	Bolt	
			<b>5.2 bar(e)</b>		1240	0333 3244 00	2	Lock washer	
			<b>5.5 bar(e)</b>		1250	0574 8066 41	1	Hose assy	
			<b>6.9 bar(e)</b>		1260	1079 5840 15	1	Nipple	
			<b>7.5 bar(e)</b>		1270	1614 9252 00	1	Plug	
			<b>8.5 bar(e)</b>					<b>GA 110+</b>	
			<b>8.6 bar(e)</b>					<b>GA 132+</b>	
			<b>10.4 bar(e)</b>					<b>GA 160</b>	
1010	1621 7335 01	1	Gearbox casting					<b>GA 160+</b>	
1020	0661 1000 27	1	Seal washer					<b>6.9bar(e)</b>	
1030	1623 3920 00	1	Shaft drive					<b>8.6bar(e)</b>	
1040	0211 1480 00	8	Cap screw					<b>10bar(e)</b>	
1050	0504 0110 01	1	Bearing ball					<b>10.4bar(e)</b>	
1060	1616 5518 00	1	Washer		1010	1621 7397 01	1	Gearbox casting	
1070	1616 5519 00	1	Bushing		1020	0661 1000 27	1	Seal washer	
1080	1623 0611 00	1	Bushing		1030	1623 3920 00	1	Shaft drive	
1090	1616 5515 00	1	Retainer		1050	0506 0100 08	1	Roller bearing	
1100	1621 4840 00	1	Seal		1060	1623 2222 00	1	Ring	
1110	0663 2107 76	1	O-ring		1070	1616 5519 00	1	Bushing	
1120	0147 1366 03	4	Bolt		1080	1623 2221 00	1	Bushing	
1130	0337 0009 91	1	Key parallel		1090	1616 5515 00	1	Retainer	
1140	0147 1557 03	8	Bolt		1100	1621 4840 00	1	Seal	
1150	0300 0274 13	1	Washer		1110	0663 2107 76	1	O-ring	
1160	1614 9772 00	1	Support		1120	0147 1366 03	4	Bolt	
1170	0147 1322 03	1	Bolt		1130	0337 0009 99	1	Key parallel	
1180	0346 1005 19	1	Pipe clamp		1140	0147 1557 03	8	Bolt	
1190	0266 2116 00	8	Nut		1150	0300 0274 13	1	Washer	
1200	1623 0187 00	1	Plate		1160	1614 9772 00	1	Support	
1210	0147 1401 03	6	Bolt		1170	0147 1322 03	1	Bolt	
1220	0301 2358 00	6	Washer		1180	0346 1005 19	1	Pipe clamp	
1230	0147 1479 03	2	Bolt		1190	0266 2116 00	8	Nut	
1240	0333 3244 00	2	Lock washer		1200	1623 0187 00	1	Plate	
1250	0574 8066 41	1	Hose assy		1210	0147 1401 03	6	Bolt	
1260	1079 5840 15	1	Nipple		1220	0301 2358 00	6	Washer	
1270	1614 9252 00	1	Plug		1230	0147 1479 03	2	Bolt	
			<b>5.5 bar(e)</b>		1240	0333 3244 00	2	Lock washer	
			<b>7.5 bar(e)</b>		1250	0574 8066 41	1	Hose assy	
			<b>8.5 bar(e)</b>		1260	1079 5840 15	1	Nipple	
			<b>8.6 bar(e)</b>		1270	1614 9252 00	1	Plug	
			<b>10 bar(e)</b>					<b>GA 132+</b>	
1010	1621 7397 01	1	Gearbox casting					<b>GA 160</b>	
1020	0661 1000 27	1	Seal washer					<b>GA 160+</b>	
1030	1623 3920 00	1	Shaft drive					<b>6.9bar(e)</b>	
1040	0211 1480 00	8	Cap screw					<b>8.5bar(e)</b>	
1050	0504 0110 01	1	Bearing ball					<b>8.5bar(e) - High ambient</b>	
1060	1616 5518 00	1	Washer					<b>condition</b>	
1070	1616 5519 00	1	Bushing					<b>8.6bar(e)</b>	
1080	1623 0611 00	1	Bushing					<b>10bar(e)</b>	
1090	1616 5515 00	1	Retainer					<b>10.4bar(e) - High ambient</b>	
1100	1621 4840 00	1	Seal					<b>condition</b>	
1110	0663 2107 76	1	O-ring		1010	1621 7335 01	1	Gearbox casting	
1120	0147 1366 03	4	Bolt		1020	0661 1000 27	1	Seal washer	
1130	0337 0009 91	1	Key parallel		1030	1623 3920 00	1	Shaft drive	
1140	0147 1557 03	8	Bolt		1050	0506 0100 08	1	Roller bearing	
1150	0300 0274 13	1	Washer		1060	1623 2222 00	1	Ring	
1160	1614 9772 00	1	Support		1070	1616 5519 00	1	Bushing	
1170	0147 1322 03	1	Bolt		1080	1623 2221 00	1	Bushing	
1180	0346 1005 19	1	Pipe clamp		1090	1616 5515 00	1	Retainer	

# 3



73704

73704

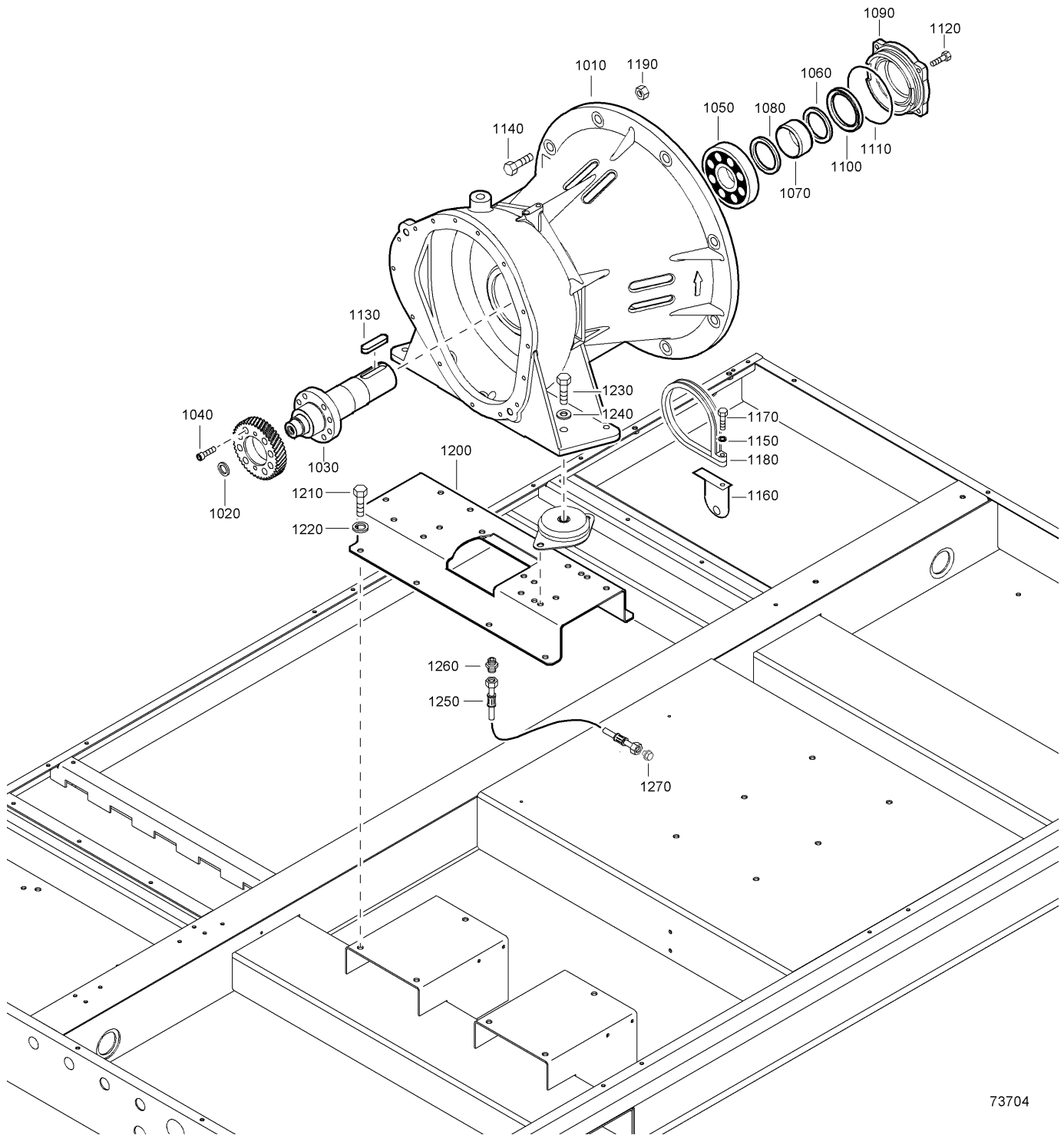


## Gearbox - 5.2bar(e) to 10.4bar(e)

3

Ref.	Partnumber	Qty	Name	Remarks	Ref.	Partnumber	Qty	Name	Remarks
1100	1621 4840 00	1	Seal					<b>10 bar(e)</b>	
1110	0663 2107 76	1	O-ring		1010	1621 7397 01	1	Gearbox casting	
1120	0147 1366 03	4	Bolt		1020	0661 1000 27	1	Seal washer	
1130	0337 0009 99	1	Key parallel		1030	1623 3920 00	1	Shaft drive	
1140	0147 1557 03	8	Bolt		1040	0211 1480 00	8	Cap screw	
1150	0300 0274 13	1	Washer		1050	0504 0110 01	1	Bearing ball	
1160	1614 9772 00	1	Support		1060	1616 5518 00	1	Washer	
1170	0147 1322 03	1	Bolt		1070	1616 5519 00	1	Bushing	
1180	0346 1005 19	1	Pipe clamp		1080	1623 0611 00	1	Bushing	
1190	0266 2116 00	8	Nut		1090	1616 5515 00	1	Retainer	
1210	0147 1401 03	6	Bolt		1100	1621 4840 00	1	Seal	
1220	0301 2358 00	6	Washer		1110	0663 2107 76	1	O-ring	
1230	0147 1479 03	2	Bolt		1120	0147 1366 03	4	Bolt	
1240	0333 3244 00	2	Lock washer		1130	0337 0009 91	1	Key parallel	
1250	0574 8066 41	1	Hose assy		1140	0147 1557 03	8	Bolt	
1260	1079 5840 15	1	Nipple		1150	0300 0274 13	1	Washer	
1270	1614 9252 00	1	Plug		1160	1614 9772 00	1	Support	
			<b>Water cooled</b>		1170	0147 1322 03	1	Bolt	
			<b>GA90+</b>		1180	0346 1005 19	1	Pipe clamp	
			<b>GA110+</b>		1190	0266 2116 00	8	Nut	
			<b>GA132+</b>		1200	1623 0187 00	1	Plate	
			<b>GA160</b>		1210	0147 1401 03	6	Bolt	
			<b>5.2 bar(e)</b>		1220	0301 2358 00	6	Washer	
			<b>5.5 bar(e)</b>		1230	0147 1479 03	2	Bolt	
			<b>6.9 bar(e)</b>		1240	0333 3244 00	2	Lock washer	
			<b>7.5 bar(e)</b>		1250	0574 8066 41	1	Hose assy	
			<b>8.5 bar(e)</b>		1260	1079 5840 15	1	Nipple	
			<b>8.6 bar(e)</b>		1270	1614 9252 00	1	Plug	
			<b>10.4 bar(e)</b>					<b>GA 110+</b>	
1010	1621 7335 01	1	Gearbox casting					<b>GA 132+</b>	
1020	0661 1000 27	1	Seal washer					<b>GA 160</b>	
1030	1623 3920 00	1	Shaft drive					<b>GA 160+</b>	
1040	0211 1480 00	8	Cap screw					<b>6.9bar(e)</b>	
1050	0504 0110 01	1	Bearing ball					<b>8.6bar(e)</b>	
1060	1616 5518 00	1	Washer					<b>10bar(e)</b>	
1070	1616 5519 00	1	Bushing					<b>10.4bar(e)</b>	
1080	1623 0611 00	1	Bushing		1010	1621 7397 01	1	Gearbox casting	
1090	1616 5515 00	1	Retainer		1020	0661 1000 27	1	Seal washer	
1100	1621 4840 00	1	Seal		1030	1623 3920 00	1	Shaft drive	
1110	0663 2107 76	1	O-ring		1050	0506 0100 08	1	Roller bearing	
1120	0147 1366 03	4	Bolt		1060	1623 2222 00	1	Ring	
1130	0337 0009 91	1	Key parallel		1070	1616 5519 00	1	Bushing	
1140	0147 1557 03	8	Bolt		1080	1623 2221 00	1	Bushing	
1150	0300 0274 13	1	Washer		1090	1616 5515 00	1	Retainer	
1160	1614 9772 00	1	Support		1100	1621 4840 00	1	Seal	
1170	0147 1322 03	1	Bolt		1110	0663 2107 76	1	O-ring	
1180	0346 1005 19	1	Pipe clamp		1120	0147 1366 03	4	Bolt	
1190	0266 2116 00	8	Nut		1130	0337 0009 99	1	Key parallel	
1200	1623 0187 00	1	Plate		1140	0147 1557 03	8	Bolt	
1210	0147 1401 03	6	Bolt		1150	0300 0274 13	1	Washer	
1220	0301 2358 00	6	Washer		1160	1614 9772 00	1	Support	
1230	0147 1479 03	2	Bolt		1170	0147 1322 03	1	Bolt	
1240	0333 3244 00	2	Lock washer		1180	0346 1005 19	1	Pipe clamp	
1250	0574 8066 41	1	Hose assy		1190	0266 2116 00	8	Nut	
1260	1079 5840 15	1	Nipple		1210	0147 1401 03	6	Bolt	
1270	1614 9252 00	1	Plug		1220	0301 2358 00	6	Washer	
			<b>GA90+</b>		1230	0147 1479 03	2	Bolt	
			<b>GA110+</b>		1240	0333 3244 00	2	Lock washer	
			<b>GA132+</b>		1250	0574 8066 41	1	Hose assy	
			<b>5.2 bar(e)</b>		1260	1079 5840 15	1	Nipple	
			<b>5.5 bar(e)</b>		1270	1614 9252 00	1	Plug	
			<b>7.5 bar(e)</b>					<b>GA 132+</b>	
			<b>8.5 bar(e)</b>					<b>GA 160</b>	
			<b>8.6 bar(e)</b>					<b>GA 160+</b>	

# 3



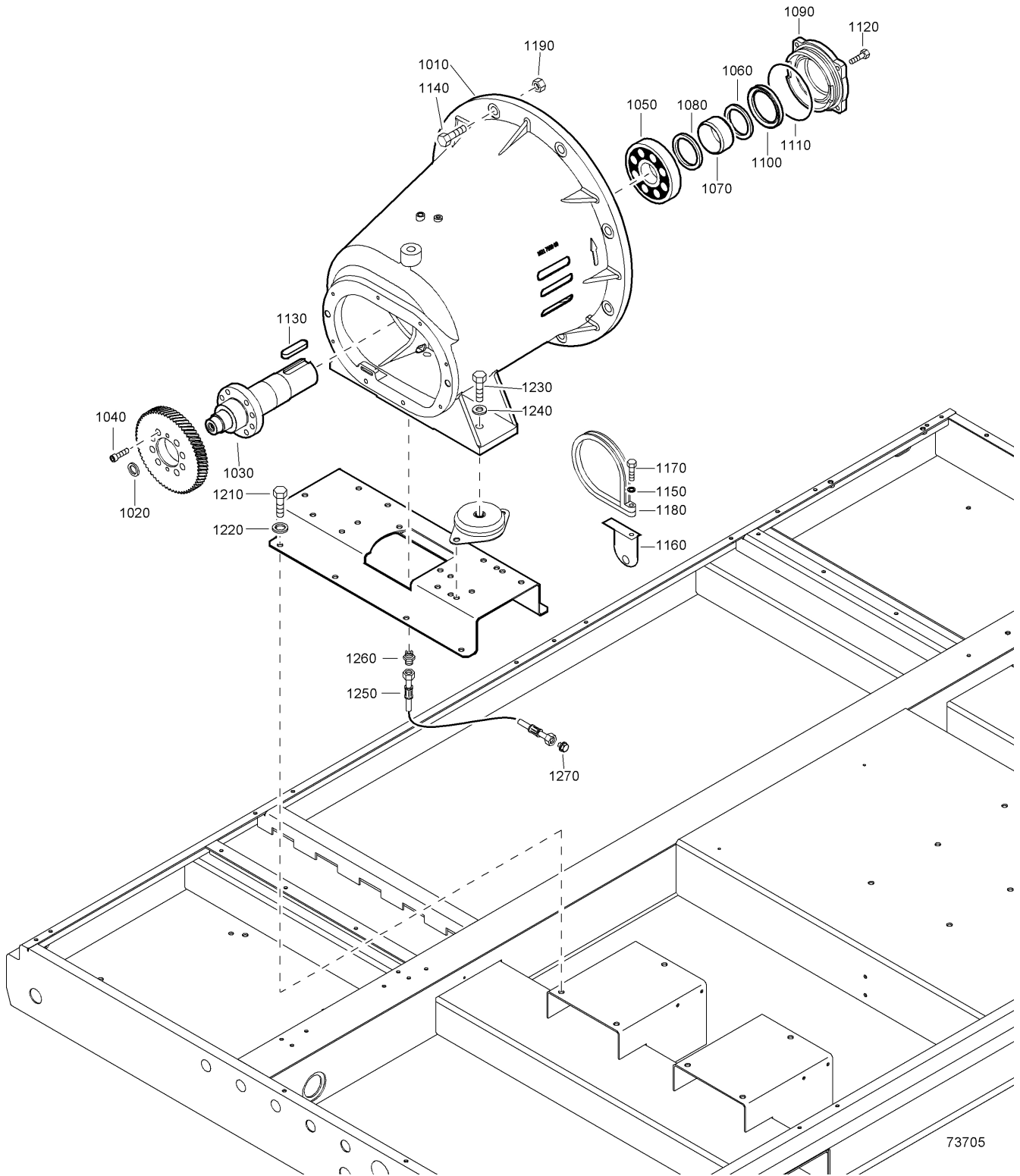
73704

73704

**Gearbox - 5.2bar(e) to 10.4bar(e)****3**

Ref.	Partnumber	Qty	Name	Remarks	Ref.	Partnumber	Qty	Name	Remarks
			<b>6.9bar(e)</b>		1110	0663 2107 76	1	O-ring	
			<b>8.5bar(e)</b>		1120	0147 1366 03	4	Bolt	
			<b>8.5bar(e) - High ambient condition</b>		1130	0337 0009 99	1	Key parallel	
			<b>8.6bar(e)</b>		1140	0147 1557 03	8	Bolt	
			<b>10bar(e)</b>		1150	0300 0274 13	1	Washer	
			<b>10.4bar(e) - High ambient condition</b>		1160	1614 9772 00	1	Support	
					1170	0147 1322 03	1	Bolt	
					1180	0346 1005 19	1	Pipe clamp	
1010	1621 7335 01	1	Gearbox casting		1190	0266 2116 00	8	Nut	
1020	0661 1000 27	1	Seal washer		1210	0147 1401 03	6	Bolt	
1030	1623 3920 00	1	Shaft drive		1220	0301 2358 00	6	Washer	
1050	0506 0100 08	1	Roller bearing		1230	0147 1479 03	2	Bolt	
1060	1623 2222 00	1	Ring		1240	0333 3244 00	2	Lock washer	
1070	1616 5519 00	1	Bushing		1250	0574 8066 41	1	Hose assy	
1080	1623 2221 00	1	Bushing		1260	1079 5840 15	1	Nipple	
1090	1616 5515 00	1	Retainer		1270	1614 9252 00	1	Plug	
1100	1621 4840 00	1	Seal						

4

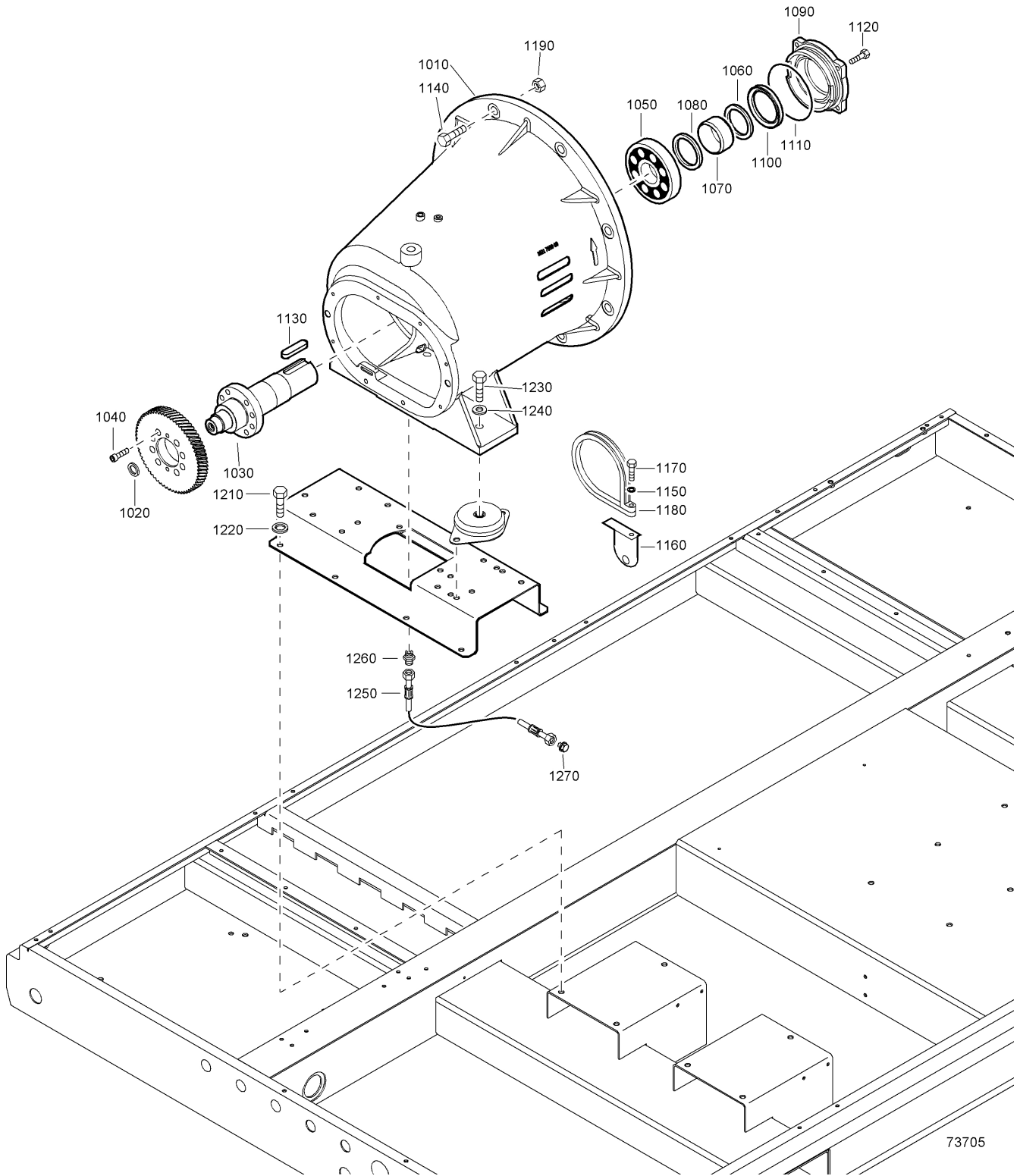


## Gearbox - 10bar(e) to 14bar(e)

4

Ref.	Partnumber	Qty	Name	Remarks	Ref.	Partnumber	Qty	Name	Remarks
			<b>Air cooled</b>		1240	0333 3244 00	2	Lock washer	
			<b>GA90+</b>		1250	0574 8066 41	1	Hose assy	
			<b>GA110</b>		1260	1079 5840 15	1	Nipple	
			<b>GA110+</b>		1270	1614 9252 00	1	Plug	
			<b>GA132</b>					<b>Water cooled</b>	
			<b>GA132+</b>					<b>GA90+</b>	
			<b>10 bar(e)</b>					<b>GA110</b>	
			<b>10.4 bar(e)</b>					<b>GA110+</b>	
			<b>13.8 bar(e)</b>					<b>GA132</b>	
			<b>14 bar(e)</b>					<b>GA132+</b>	
1010	1621 7939 00	1	Gearbox casting		1010	1621 7939 00	1	Gearbox casting	
1020	0661 1000 27	1	Seal washer		1020	0661 1000 27	1	Seal washer	
1030	1623 3946 00	1	Shaft drive		1030	1623 3946 00	1	Shaft drive	
1040	0211 1480 00	8	Cap screw		1050	0504 0110 01	1	Bearing ball	
1050	0504 0110 01	1	Bearing ball		1060	1616 5518 00	1	Washer	
1060	1616 5518 00	1	Washer		1070	1616 5519 00	1	Bushing	
1070	1616 5519 00	1	Bushing		1080	1623 0611 00	1	Bushing	
1080	1623 0611 00	1	Bushing		1090	1616 5515 00	1	Retainer	
1090	1616 5515 00	1	Retainer		1100	1621 4840 00	1	Seal	
1100	1621 4840 00	1	Seal		1110	0663 2107 76	1	O-ring	
1110	0663 2107 76	1	O-ring		1120	0147 1366 03	4	Bolt	
1120	0147 1366 03	4	Bolt		1130	0337 0009 91	1	Key parallel	
1130	0337 0009 91	1	Key parallel		1140	0147 1557 03	8	Bolt	
1140	0147 1557 03	8	Bolt		1150	0300 0274 13	1	Washer	
1150	0300 0274 13	1	Washer		1160	1614 9772 00	1	Support	
1160	1614 9772 00	1	Support		1170	0147 1322 03	1	Bolt	
1170	0147 1322 03	1	Bolt		1180	0346 1005 19	1	Pipe clamp	
1180	0346 1005 19	1	Pipe clamp		1190	0266 2116 00	8	Nut	
1190	0266 2116 00	8	Nut		1210	0147 1401 03	6	Bolt	
1210	0147 1401 03	6	Bolt		1220	0301 2358 00	6	Washer	
1220	0301 2358 00	6	Washer		1230	0147 1479 03	2	Bolt	
1230	0147 1479 03	2	Bolt		1240	0333 3244 00	2	Lock washer	
1240	0333 3244 00	2	Lock washer		1250	0574 8066 41	1	Hose assy	
1250	0574 8066 41	1	Hose assy		1260	1079 5840 15	1	Nipple	
1260	1079 5840 15	1	Nipple		1270	1614 9252 00	1	Plug	
1270	1614 9252 00	1	Plug					<b>GA 132+</b>	
			<b>GA 160</b>					<b>GA 160</b>	
			<b>GA 160+</b>					<b>GA 160+</b>	
			<b>10 bar(e)</b>					<b>10.4bar(e)</b>	
			<b>10.4bar(e)</b>					<b>13.8bar(e)</b>	
			<b>13.8bar(e)</b>					<b>13.8bar(e)</b>	
			<b>13.8bar(e)</b>					<b>14bar(e)</b>	
			<b>14bar(e)</b>					<b>10bar(e)</b>	
1010	1621 7335 01	1	Gearbox casting		1010	1621 7335 01	1	Gearbox casting	
1020	0661 1000 27	1	Seal washer		1020	0661 1000 27	1	Seal washer	
1030	1623 3920 00	1	Shaft drive		1030	1623 3920 00	1	Shaft drive	
1050	0506 0100 08	1	Roller bearing		1050	0506 0100 08	1	Roller bearing	
1060	1623 2221 00	1	Bushing		1060	1623 2221 00	1	Bushing	
1070	1616 5519 00	1	Bushing		1070	1616 5519 00	1	Bushing	
1080	1623 2222 00	1	Ring		1080	1623 2222 00	1	Ring	
1090	1616 5515 00	1	Retainer		1090	1616 5515 00	1	Retainer	
1100	1621 4840 00	1	Seal		1100	1621 4840 00	1	Seal	
1110	0663 2107 76	1	O-ring		1110	0663 2107 76	1	O-ring	
1120	0147 1366 03	4	Bolt		1120	0147 1366 03	4	Bolt	
1130	0337 0009 99	1	Key parallel		1130	0337 0009 99	1	Key parallel	
1140	0147 1557 03	8	Bolt		1140	0147 1557 03	8	Bolt	
1150	0300 0274 13	1	Washer		1150	0300 0274 13	1	Washer	
1160	1614 9772 00	1	Support		1160	1614 9772 00	1	Support	
1170	0147 1322 03	1	Bolt		1170	0147 1322 03	1	Bolt	
1180	0346 1005 19	1	Pipe clamp		1180	0346 1005 19	1	Pipe clamp	
1190	0266 2116 00	8	Nut		1190	0266 2116 00	8	Nut	
1210	0147 1401 03	6	Bolt						
1220	0301 2358 00	6	Washer						
1230	0147 1479 03	2	Bolt						

4

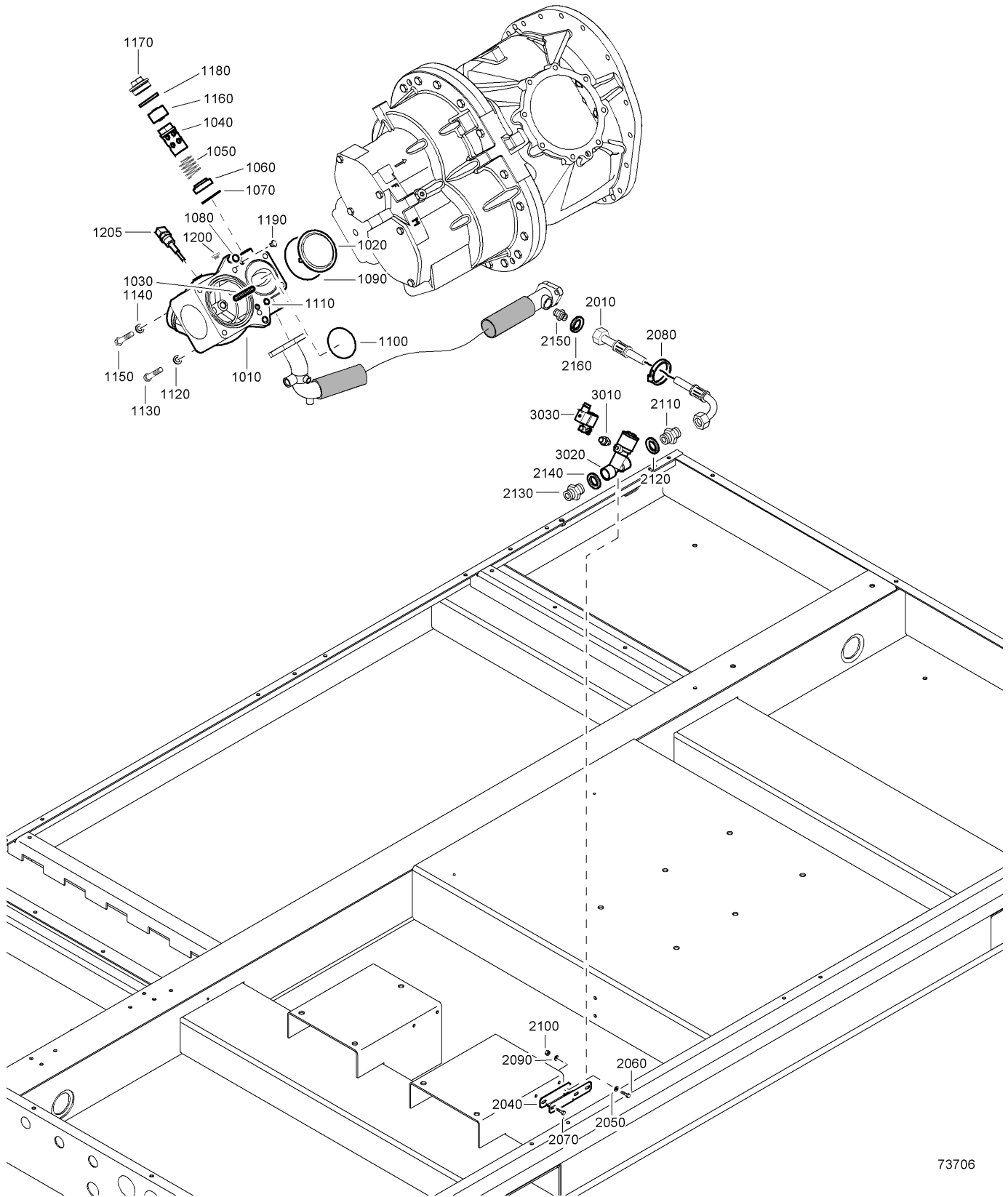


73705

**Gearbox - 10bar(e) to 14bar(e)****4**

<b>Ref.</b>	<b>Partnumber</b>	<b>Qty</b>	<b>Name</b>	<b>Remarks</b>	<b>Ref.</b>	<b>Partnumber</b>	<b>Qty</b>	<b>Name</b>	<b>Remarks</b>
1210	0147 1401 03	6	Bolt		1250	0574 8066 41	1	Hose assy	
1220	0301 2358 00	6	Washer		1260	1079 5840 15	1	Nipple	
1230	0147 1479 03	2	Bolt		1270	1614 9252 00	1	Plug	
1240	0333 3244 00	2	Lock washer						

# 5



73706

73706

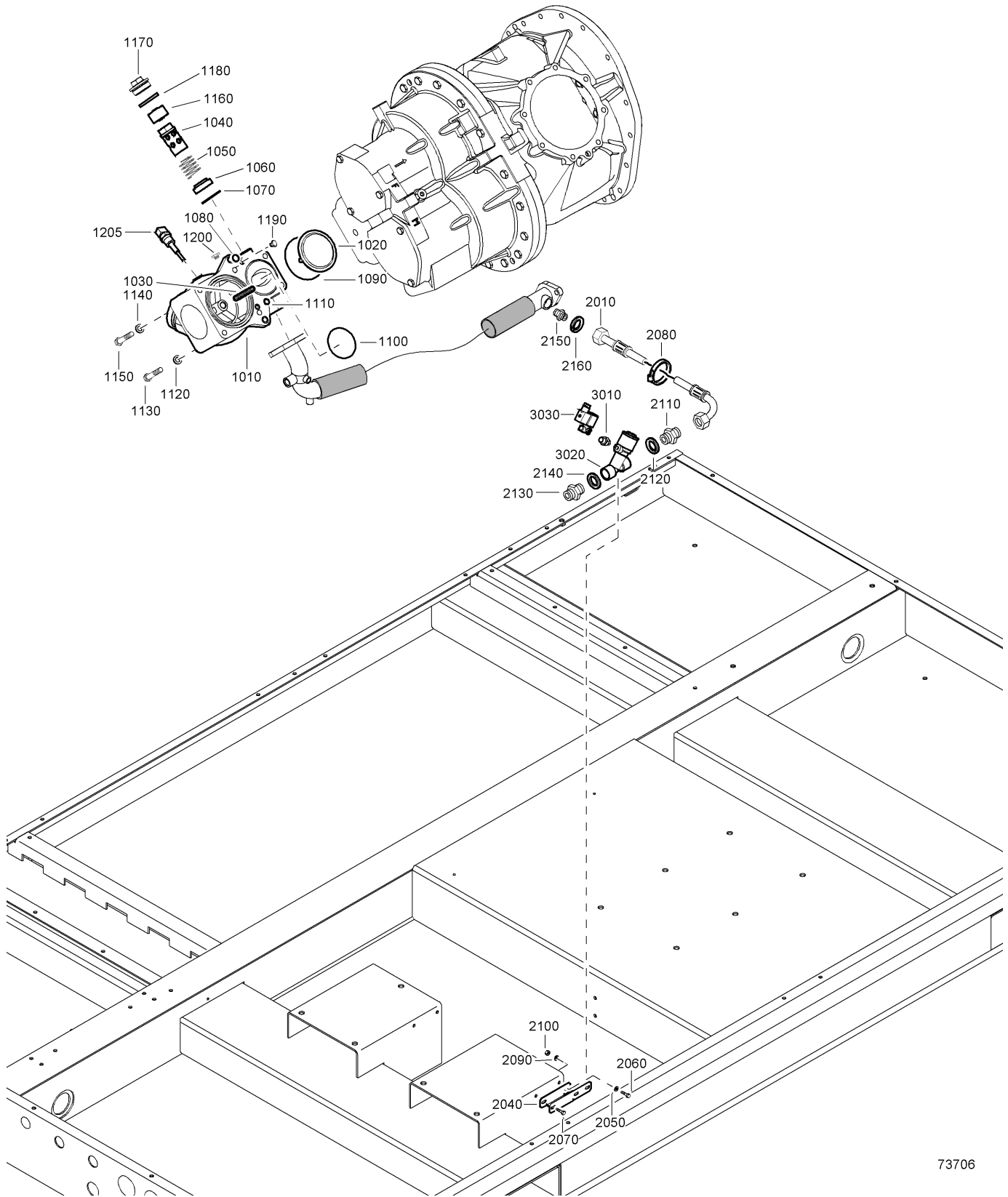


## Valves on element - 5.2bar(e) to 10.4bar(e)

5

Ref.	Part number	Qty	Name	Remarks	Ref.	Part number	Qty	Name	Remarks
			<b>Air cooled</b>					<b>6.9bar(e)</b>	
			<b>GA90+</b>					<b>8.6bar(e)</b>	
			<b>GA110+</b>					<b>10bar(e)</b>	
			<b>GA132+</b>					<b>10.4bar(e)</b>	
			<b>GA160</b>					<b>Valve</b>	
			<b>5.2 bar(e)</b>		1010	1092 0030 89	1	Valve check	
			<b>5.5 bar(e)</b>		1020	1623 0385 00	1	Valve check	
			<b>6.9 bar(e)</b>		1030	2254 8075 00	1	Compr.spring	
			<b>7.5 bar(e)</b>		1040	1623 1354 00	1	Valve oil stop	
			<b>8.5 bar(e)</b>		1050	1623 1767 00	1	Spring	
			<b>8.6 bar(e)</b>		1060	2252 6269 00	1	Spring guide	
			<b>10.4 bar(e)</b>		1070	0335 2145 00	1	Int.circlip	
		<b>1</b>	<b>Valve</b>		1080	0663 2108 12	2	O-ring	
1010	1092 0030 89	1	Valve check		1090	0663 2106 20	1	O-ring	
1020	1623 0385 00	1	Valve check		1100	0663 2106 15	1	O-ring	
1030	2254 8075 00	1	Compr.spring		1110	0663 3116 00	1	O-ring	
1040	1623 1354 00	1	Valve oil stop		1120	0301 2358 00	4	Washer	
1050	1623 1767 00	1	Spring		1130	0147 1421 03	4	Bolt	
1060	2252 6269 00	1	Spring guide		1140	0301 2358 00	2	Washer	
1070	0335 2145 00	1	Int.circlip		1150	0147 1413 03	2	Bolt	
1080	0663 2108 12	2	O-ring		1160	2255 2813 00	1	Piston	
1090	0663 2106 20	1	O-ring		1170	0686 3716 10	1	Plug	
1100	0663 2106 15	1	O-ring		1180	0661 1000 32	1	Seal washer	
1110	0663 3116 00	1	O-ring		1190	0686 6441 00	1	Plug	
1120	0301 2358 00	4	Washer		1200	0686 3101 00	1	Plug	
1130	0147 1421 03	4	Bolt		1205	1089 0574 70	1	Sensor	
1140	0301 2358 00	2	Washer					<b>GA 132+</b>	
1150	0147 1413 03	2	Bolt					<b>GA 160</b>	
1160	2255 2813 00	1	Piston					<b>GA 160+</b>	
1170	0686 3716 10	1	Plug					<b>6.9bar(e)</b>	
1180	0661 1000 32	1	Seal washer					<b>8.5bar(e)</b>	
1190	0686 6441 00	1	Plug					<b>8.5bar(e) - High ambient</b>	
1200	0686 3101 00	1	Plug					<b>condition</b>	
1205	1089 0574 70	1	Sensor					<b>8.6bar(e)</b>	
			<b>5.5 bar(e)</b>					<b>10bar(e)</b>	
			<b>7.5 bar(e)</b>					<b>10.4bar(e) - High ambient</b>	
			<b>8.5 bar(e)</b>					<b>condition</b>	
			<b>8.6 bar(e)</b>					<b>Valve</b>	
			<b>10 bar(e)</b>		1010	1092 0030 89	1	Valve check	
		<b>1</b>	<b>Valve</b>		1020	1623 0385 00	1	Valve check	
1010	1092 0030 89	1	Valve check		1030	2254 8075 00	1	Compr.spring	
1020	1623 0385 00	1	Valve check		1040	1623 1354 00	1	Valve oil stop	
1030	2254 8075 00	1	Compr.spring		1050	1623 1767 00	1	Spring	
1040	1623 1354 00	1	Valve oil stop		1060	2252 6269 00	1	Spring guide	
1050	1623 1767 00	1	Spring		1070	0335 2145 00	1	Int.circlip	
1060	2252 6269 00	1	Spring guide		1080	0663 2108 12	2	O-ring	
1070	0335 2145 00	1	Int.circlip		1090	0663 2106 20	1	O-ring	
1080	0663 2108 12	2	O-ring		1100	0663 2106 15	1	O-ring	
1090	0663 2106 20	1	O-ring		1110	0663 3116 00	1	O-ring	
1100	0663 2106 15	1	O-ring		1120	0301 2358 00	4	Washer	
1110	0663 3116 00	1	O-ring		1130	0147 1421 03	4	Bolt	
1120	0301 2358 00	4	Washer		1140	0301 2358 00	2	Washer	
1130	0147 1421 03	4	Bolt		1150	0147 1413 03	2	Bolt	
1140	0301 2358 00	2	Washer		1160	2255 2813 00	1	Piston	
1150	0147 1413 03	2	Bolt		1170	0686 3716 10	1	Plug	
1160	2255 2813 00	1	Piston		1180	0661 1000 32	1	Seal washer	
1170	0686 3716 10	1	Plug		1190	0686 6441 00	1	Plug	
1180	0661 1000 32	1	Seal washer		1200	0686 3101 00	1	Plug	
1190	0686 6441 00	1	Plug		1205	1089 0574 70	1	Sensor	
1200	0686 3101 00	1	Plug					<b>Water cooled</b>	
1205	1089 0574 70	1	Sensor					<b>GA90+</b>	
			<b>GA 110+</b>					<b>GA110+</b>	
			<b>GA 132+</b>					<b>GA132+</b>	
			<b>GA 160</b>					<b>GA160</b>	
			<b>GA 160+</b>					<b>5.2 bar(e)</b>	

# 5



73706

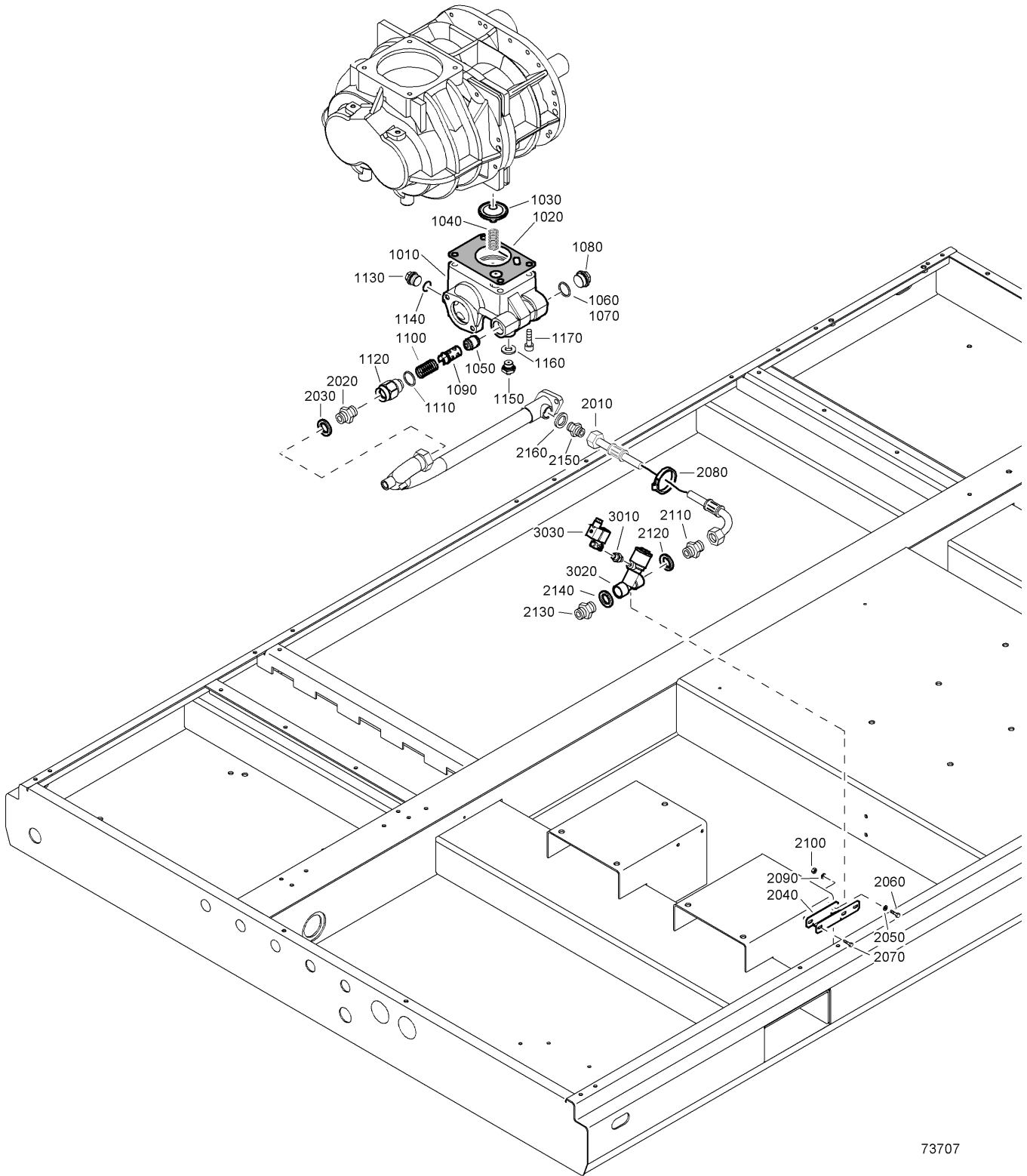
73706

## Valves on element - 5.2bar(e) to 10.4bar(e)

5

Ref.	Part number	Qty	Name	Remarks	Ref.	Part number	Qty	Name	Remarks
			<b>5.5 bar(e)</b>					<b>GA 160+</b>	
			<b>6.9 bar(e)</b>					<b>6.9bar(e)</b>	
			<b>7.5 bar(e)</b>					<b>8.6bar(e)</b>	
			<b>8.5 bar(e)</b>					<b>10bar(e)</b>	
			<b>8.6 bar(e)</b>					<b>10.4bar(e)</b>	
			<b>10.4 bar(e)</b>					<b>1</b>	
			<b>Valve</b>					<b>Valve</b>	
1010	1092 0030 89	1	Valve check		1010	1092 0030 89	1	Valve check	
1020	1623 0385 00	1	Valve check		1020	1623 0385 00	1	Valve check	
1030	2254 8075 00	1	Compr.spring		1030	2254 8075 00	1	Compr.spring	
1040	1623 1354 00	1	Valve oil stop		1040	1623 1354 00	1	Valve oil stop	
1050	1623 1767 00	1	Spring		1050	1623 1767 00	1	Spring	
1060	2252 6269 00	1	Spring guide		1060	2252 6269 00	1	Spring guide	
1070	0335 2145 00	1	Int.circlip		1070	0335 2145 00	1	Int.circlip	
1080	0663 2108 12	2	O-ring		1080	0663 2108 12	2	O-ring	
1090	0663 2106 20	1	O-ring		1090	0663 2106 20	1	O-ring	
1100	0663 2106 15	1	O-ring		1100	0663 2106 15	1	O-ring	
1110	0663 3116 00	1	O-ring		1110	0663 3116 00	1	O-ring	
1120	0301 2358 00	4	Washer		1120	0301 2358 00	4	Washer	
1130	0147 1421 03	4	Bolt		1130	0147 1421 03	4	Bolt	
1140	0301 2358 00	2	Washer		1140	0301 2358 00	2	Washer	
1150	0147 1413 03	2	Bolt		1150	0147 1413 03	2	Bolt	
1160	2255 2813 00	1	Piston		1160	2255 2813 00	1	Piston	
1170	0686 3716 10	1	Plug		1170	0686 3716 10	1	Plug	
1180	0661 1000 32	1	Seal washer		1180	0661 1000 32	1	Seal washer	
1190	0686 6441 00	1	Plug		1190	0686 6441 00	1	Plug	
1200	0686 3101 00	1	Plug		1200	0686 3101 00	1	Plug	
1205	1089 0574 70	1	Sensor		1205	1089 0574 70	1	Sensor	
			<b>GA 90+</b>					<b>GA 132+</b>	
			<b>GA 110+</b>					<b>GA 160</b>	
			<b>GA 132+</b>					<b>GA 160+</b>	
			<b>5.2 bar(e)</b>					<b>6.9bar(e)</b>	
			<b>5.5 bar(e)</b>					<b>8.5bar(e)</b>	
			<b>7.5 bar(e)</b>					<b>8.5bar(e) - High ambient</b>	
			<b>8.5 bar(e)</b>					<b>condition</b>	
			<b>8.6 bar(e)</b>					<b>8.6bar(e)</b>	
			<b>10 bar(e)</b>					<b>10bar(e)</b>	
			<b>10.4 bar(e)</b>					<b>10.4bar(e) - High ambient</b>	
			<b>1</b>					<b>condition</b>	
			<b>Valve</b>					<b>1</b>	
1010	1092 0030 89	1	Valve check		1010	1092 0030 89	1	Valve check	
1020	1623 0385 00	1	Valve check		1020	1623 0385 00	1	Valve check	
1030	2254 8075 00	1	Compr.spring		1030	2254 8075 00	1	Compr.spring	
1040	1623 1354 00	1	Valve oil stop		1040	1623 1354 00	1	Valve oil stop	
1050	1623 1767 00	1	Spring		1050	1623 1767 00	1	Spring	
1060	2252 6269 00	1	Spring guide		1060	2252 6269 00	1	Spring guide	
1070	0335 2145 00	1	Int.circlip		1070	0335 2145 00	1	Int.circlip	
1080	0663 2108 12	2	O-ring		1080	0663 2108 12	2	O-ring	
1090	0663 2106 20	1	O-ring		1090	0663 2106 20	1	O-ring	
1100	0663 2106 15	1	O-ring		1100	0663 2106 15	1	O-ring	
1110	0663 3116 00	1	O-ring		1110	0663 3116 00	1	O-ring	
1120	0301 2358 00	4	Washer		1120	0301 2358 00	4	Washer	
1130	0147 1421 03	4	Bolt		1130	0147 1421 03	4	Bolt	
1140	0301 2358 00	2	Washer		1140	0301 2358 00	2	Washer	
1150	0147 1413 03	2	Bolt		1150	0147 1413 03	2	Bolt	
1160	2255 2813 00	1	Piston		1160	2255 2813 00	1	Piston	
1170	0686 3716 10	1	Plug		1170	0686 3716 10	1	Plug	
1180	0661 1000 32	1	Seal washer		1180	0661 1000 32	1	Seal washer	
1190	0686 6441 00	1	Plug		1190	0686 6441 00	1	Plug	
1200	0686 3101 00	1	Plug		1200	0686 3101 00	1	Plug	
1205	1089 0574 70	1	Sensor		1205	1089 0574 70	1	Sensor	
			<b>GA 110+</b>						
			<b>GA 132+</b>						
			<b>GA 160</b>						

# 6



73707

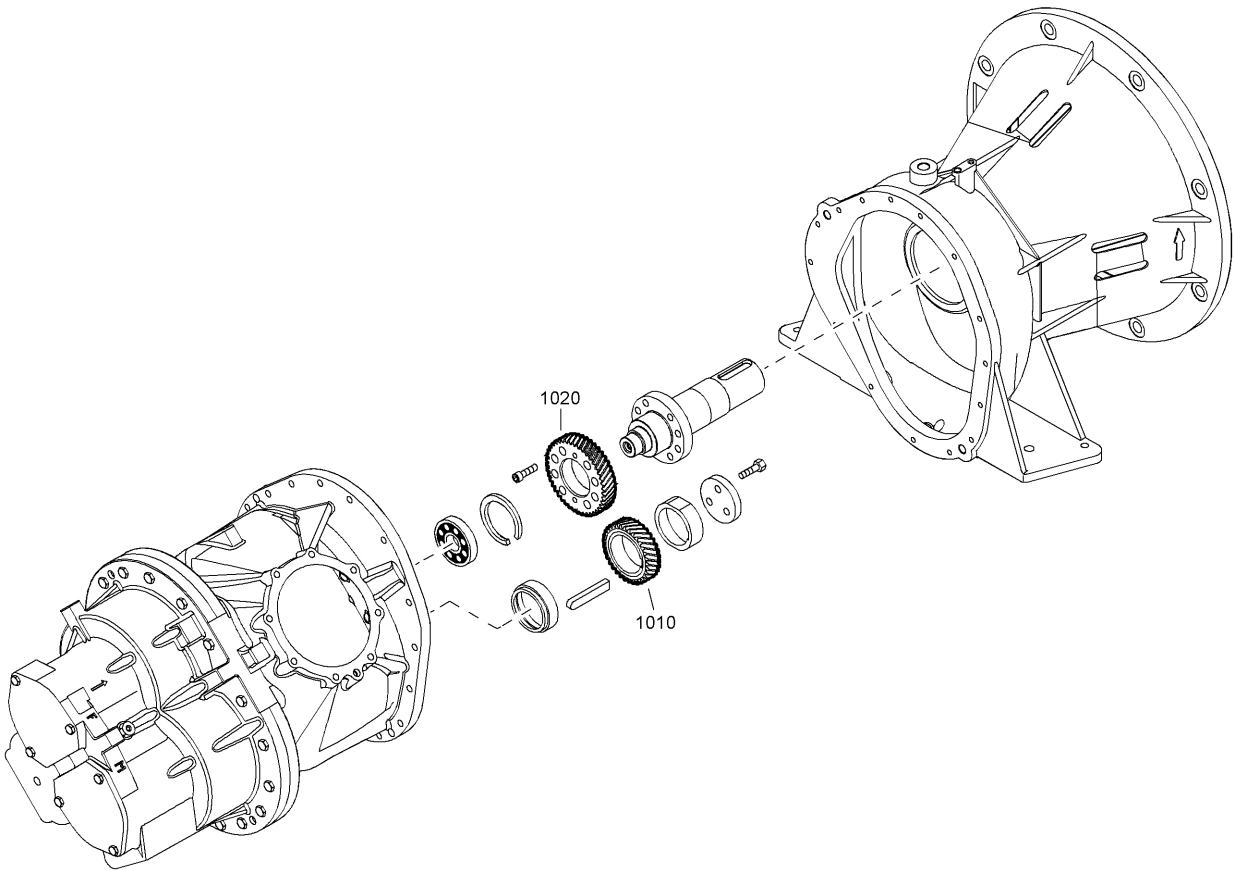
73707

## Valves on element - 10bar(e) to 14bar

6

Ref.	Partnumber	Qty	Name	Remarks	Ref.	Partnumber	Qty	Name	Remarks
			<b>Air cooled</b>					<b>Water cooled</b>	
			<b>GA90+</b>					<b>GA90+</b>	
			<b>GA110</b>					<b>GA110</b>	
			<b>GA110+</b>					<b>GA110+</b>	
			<b>GA132</b>					<b>GA132</b>	
			<b>GA132+</b>					<b>GA132+</b>	
			<b>10 bar(e)</b>					<b>10 bar(e)</b>	
			<b>10.4 bar(e)</b>					<b>10.4 bar(e)</b>	
			<b>13.8 bar(e)</b>					<b>13.8 bar(e)</b>	
			<b>14 bar(e)</b>					<b>14 bar(e)</b>	
		<b>1</b>	<b>Valve</b>				<b>1</b>	<b>Valve</b>	
1010	1622 0795 00	1	Valve housing		1010	1622 0795 00	1	Valve housing	
1020	1622 0977 00	1	Gasket		1020	1623 7407 00	1	Gasket	
1030	1622 9639 00	1	Check valve		1030	1622 9639 00	1	Check valve	
1040	1622 0796 00	1	Spring		1040	1622 0796 00	1	Spring	
1050	1622 1041 00	1	Piston		1050	1622 1041 00	1	Piston	
1060	0661 1000 44	1	Seal washer		1060	0661 1000 44	1	Seal washer	
1070	0661 1000 60	1	Seal		1070	0661 1000 60	1	Seal	
1080	0686 3716 07	1	Plug		1080	0686 3716 07	1	Plug	
1090	1623 1362 00	1	Valve oil stop		1090	1623 1362 00	1	Valve oil stop	
1100	1622 5662 00	1	Spring		1100	1622 5662 00	1	Spring	
1110	0661 1000 60	1	Seal		1110	0661 1000 60	1	Seal	
1120	1623 0798 00	1	Nipple		1120	1623 0798 00	1	Nipple	
1130	0686 3716 01	1	Plug		1130	0686 3716 01	1	Plug	
1140	0661 1000 25	1	Seal washer		1140	0661 1000 25	1	Seal washer	
1150	1079 5840 19	1	Nipple		1150	1079 5840 19	1	Nipple	
1160	0661 1000 27	1	Seal washer		1160	0661 1000 27	1	Seal washer	
1170	0211 1964 75	4	Cap screw		1170	0211 1964 75	4	Cap screw	
		<b>1</b>	<b>Valve</b>				<b>1</b>	<b>Valve</b>	
2010	0575 0121 85	1	Hose assembly		2010	0575 0121 85	1	Hose assembly	
2040	1623 0793 00	1	Support		2040	1623 0793 00	1	Support	
2050	0301 2321 00	2	Washer		2050	0301 2321 00	2	Washer	
2060	0147 1244 03	2	Bolt		2060	0147 1244 03	2	Bolt	
2070	0147 1246 03	2	Bolt		2070	0147 1246 03	2	Bolt	
2080	0346 1000 15	2	Pipe clamp		2080	0346 1000 15	2	Pipe clamp	
2090	0301 2321 00	2	Washer		2090	0301 2321 00	2	Washer	
2100	0266 2108 00	2	Nut		2100	0266 2108 00	2	Nut	
2110	1079 5840 29	1	Hexagon nipple		2110	1079 5840 29	1	Hexagon nipple	
2120	0661 1000 29	1	Seal washer		2120	0661 1000 29	1	Seal washer	
2130	1079 5840 29	1	Hexagon nipple		2130	1079 5840 29	1	Hexagon nipple	
2140	0661 1000 29	1	Seal washer		2140	0661 1000 29	1	Seal washer	
2150	1079 5840 01	1	Nipple		2150	1079 5840 01	1	Nipple	
2160	0661 1000 24	1	Seal washer		2160	0661 1000 24	1	Seal washer	
	<b>1623 1567 80</b>	<b>1</b>	<b>Valve assembly</b>			<b>1623 1567 80</b>	<b>1</b>	<b>Valve assembly</b>	
3010		• 1	Restrictor		3010		• 1	Restrictor	
3020	1089 0380 35	• 1	Solenoid valve		3020	1089 0380 35	• 1	Solenoid valve	
3030	1089 0668 20	• 1	Solenoid valve		3030	1089 0668 20	• 1	Solenoid valve	

7



73708

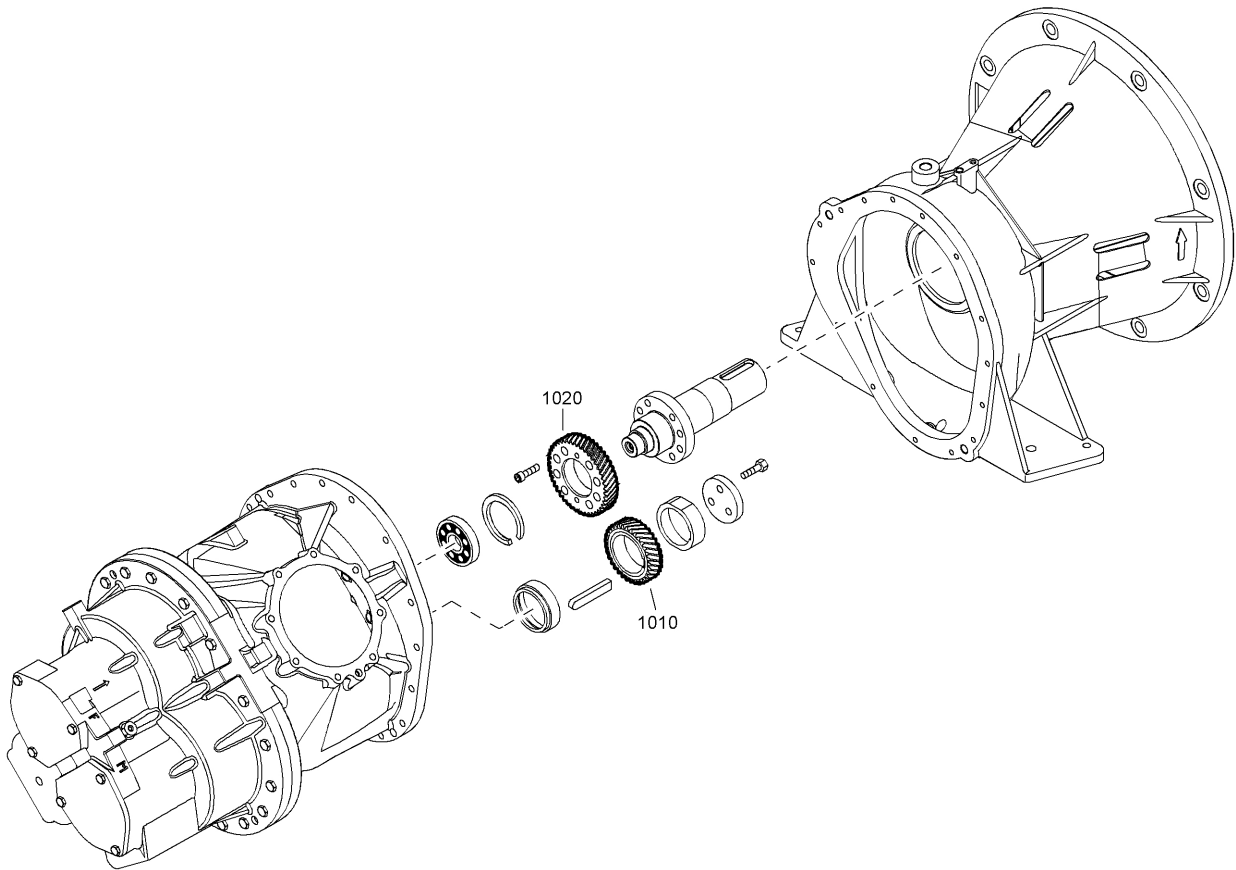
73708

## Gears - 5.2bar(e) to 8.6bar(e)

7

Ref.	Part number	Qty	Name	Remarks	Ref.	Part number	Qty	Name	Remarks
			<b>GA 90+</b>					<b>GA 132+</b>	
			<b>5.2 bar(e)</b>					<b>5.2 bar(e)</b>	
1010	1623 4087 00	1	Gear pinion		1010	1623 3980 00	1	Gear pinion	
1020	1623 4088 00	1	Gear drive		1020	1623 3981 00	1	Gear drive	
			<b>5.5 bar(e)</b>					<b>5.5 bar(e)</b>	
1010	1623 8006 00	1	Gear		1010	1623 3936 00	1	Gear pinion	
1020	1623 8005 00	1	Gear		1020	1623 3937 00	1	Gear drive	
			<b>6.9 bar(e)</b>					<b>6.9 bar(e)</b>	
1010	1623 8010 00	1	Gear		1010	1623 3983 00	1	Gear pinion	
1020	1623 8009 00	1	Gear		1020	1623 3984 00	1	Gear drive	
			<b>7.5 bar(e)</b>					<b>7.5 bar(e)</b>	
1010	1623 4079 00	1	Gear pinion		1010	1623 8002 00	1	Gear	
1020	1623 4080 00	1	Gear drive		1020	1623 8001 00	1	Gear	
			<b>8.5 bar(e)</b>					<b>8.5 bar(e)</b>	
1010	1623 4081 00	1	Gear pinion		1010	1623 8004 00	1	Gear	
1020	1623 4082 00	1	Gear drive		1020	1623 8003 00	1	Gear	
			<b>8.6 bar(e)</b>					<b>8.6 bar(e)</b>	
1010	1623 4108 00	1	Gear pinion		1010	1623 3989 00	1	Gear pinion	
1020	1623 4109 00	1	Gear drive		1020	1623 3990 00	1	Gear drive	
			<b>GA 110</b>					<b>GA 160</b>	
			<b>6.9 bar(e)</b>					<b>6.9 bar(e)</b>	
1010	1623 4059 00	1	Gear pinion		1010	1623 7629 00	1	Gear	
1020	1623 4060 00	1	Gear drive		1020	1623 7628 00	1	Gear	
			<b>7.5 bar(e)</b>					<b>7.5 bar(e)</b>	
1010	1623 3967 00	1	Gear pinion		1010	1623 7621 00	1	Gear	
1020	1623 3968 00	1	Gear drive		1020	1623 7620 00	1	Gear	
			<b>8.5 bar(e)</b>					<b>8.5 bar(e)</b>	
1010	1623 3971 00	1	Gear pinion		1010	1623 7623 00	1	Gear	
1020	1623 3972 00	1	Gear drive		1020	1623 7622 00	1	Gear	
			<b>8.6 bar(e)</b>					<b>8.6 bar(e)</b>	
1010	1623 4068 00	1	Gear pinion		1010	1623 7631 00	1	Gear	
1020	1623 4069 00	1	Gear drive		1020	1623 7630 00	1	Gear	
			<b>GA 110+</b>					<b>Pack-High ambient condition</b>	
			<b>5.2 bar(e)</b>					<b>GA 90+</b>	
1010	1623 4054 00	1	Gear pinion					<b>5.2 bar(e)</b>	
1020	1623 4055 00	1	Gear drive		1010	1623 8010 00	1	Gear	
			<b>5.5 bar(e)</b>		1020	1623 8009 00	1	Gear	
1010	1623 5171 00	1	Gear pinion					<b>5.5 bar(e)</b>	
1020	1623 5172 00	1	Gear drive		1010	1623 8008 00	1	Gear	
			<b>6.9 bar(e)</b>		1020	1623 8007 00	1	Gear	
1010	1623 8008 00	1	Gear					<b>6.9 bar(e)</b>	
1020	1623 8007 00	1	Gear		1010	1623 4118 00	1	Gear pinion	
			<b>7.5 bar(e)</b>		1020	1623 4119 00	1	Gear drive	
1010	1623 3963 00	1	Gear pinion					<b>7.5 bar(e)</b>	
1020	1623 3964 00	1	Gear drive		1010	1623 8010 00	1	Gear	
			<b>8.5 bar(e)</b>		1020	1623 8009 00	1	Gear	
1010	1623 3969 00	1	Gear pinion					<b>8.5 bar(e)</b>	
1020	1623 3970 00	1	Gear drive		1010	1623 8010 00	1	Gear	
			<b>8.6 bar(e)</b>		1020	1623 8009 00	1	Gear	
1010	1623 4064 00	1	Gear pinion					<b>8.6 bar(e)</b>	
1020	1623 4065 00	1	Gear drive		1010	1623 4123 00	1	Gear pinion	
			<b>GA 132</b>		1020	1623 4124 00	1	Gear drive	
			<b>6.9 bar(e)</b>					<b>GA 110</b>	
1010	1623 3986 00	1	Gear pinion					<b>6.9 bar(e)</b>	
1020	1623 3987 00	1	Gear drive		1010	1623 4068 00	1	Gear pinion	
			<b>7.5 bar(e)</b>		1020	1623 4069 00	1	Gear drive	
1010	1623 4096 00	1	Gear pinion					<b>7.5 bar(e)</b>	
1020	1623 4097 00	1	Gear drive		1010	1623 3992 00	1	Gear pinion	
			<b>8.5 bar(e)</b>		1020	1623 3993 00	1	Gear drive	
1010	1623 4098 00	1	Gear pinion					<b>8.5 bar(e)</b>	
1020	1623 4099 00	1	Gear drive		1010	1623 4059 00	1	Gear pinion	
			<b>8.6 bar(e)</b>		1020	1623 4060 00	1	Gear drive	
1010	1623 3992 00	1	Gear pinion					<b>8.6 bar(e)</b>	
1020	1623 3993 00	1	Gear drive		1010	1623 4071 00	1	Gear pinion	

7



73708

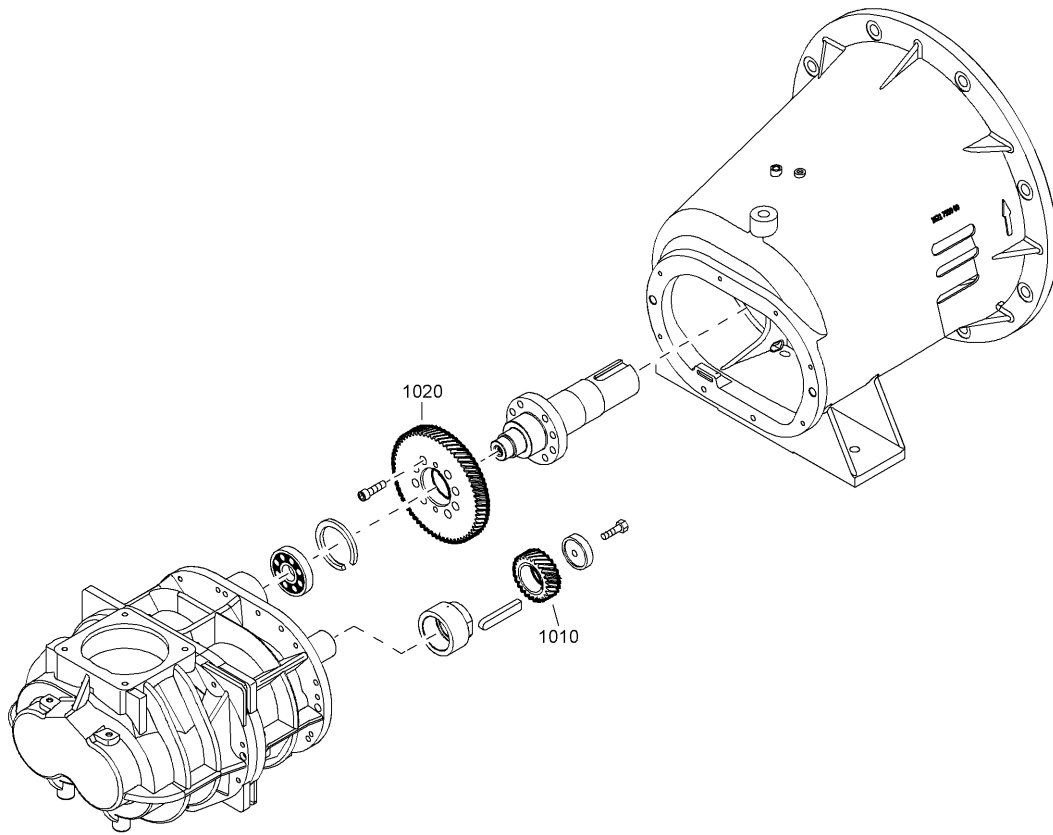


## Gears - 5.2bar(e) to 8.6bar(e)

7

Ref.	Part number	Qty	Name	Remarks	Ref.	Part number	Qty	Name	Remarks
1020	1623 4072 00	1	Gear drive					<b>GA 132+</b>	
			<b>GA 110+</b>					<b>5.2 bar(e)</b>	
1010	1623 8008 00	1	Gear		1010	1623 3963 00	1	Gear pinion	
1020	1623 8007 00	1	Gear		1020	1623 3964 00	1	Gear drive	
			<b>5.5 bar(e)</b>					<b>5.5 bar(e)</b>	
1010	1623 7631 00	1	Gear		1010	1623 8002 00	1	Gear	
1020	1623 7630 00	1	Gear		1020	1623 8001 00	1	Gear	
			<b>6.9 bar(e)</b>					<b>6.9 bar(e)</b>	
1010	1623 4064 00	1	Gear pinion		1010	1623 3989 00	1	Gear pinion	
1020	1623 4065 00	1	Gear drive		1020	1623 3990 00	1	Gear drive	
			<b>7.5 bar(e)</b>					<b>7.5 bar(e)</b>	
1010	1623 3989 00	1	Gear pinion		1010	1623 3980 00	1	Gear pinion	
1020	1623 3990 00	1	Gear drive		1020	1623 3981 00	1	Gear drive	
			<b>8.5 bar(e)</b>					<b>8.5 bar(e)</b>	
1010	1623 8008 00	1	Gear		1010	1623 7631 00	1	Gear	
1020	1623 8007 00	1	Gear		1020	1623 7630 00	1	Gear	
			<b>8.6 bar(e)</b>					<b>8.6 bar(e)</b>	
1010	1623 8010 00	1	Gear		1010	1623 7635 00	1	Gear	
1020	1623 8009 00	1	Gear		1020	1623 7634 00	1	Gear	
			<b>GA 132</b>					<b>GA 160</b>	
			<b>6.9 bar(e)</b>					<b>6.9 bar(e)</b>	
1010	1623 3992 00	1	Gear pinion		1010	1623 7631 00	1	Gear	
1020	1623 3993 00	1	Gear drive		1020	1623 7630 00	1	Gear	
			<b>7.5 bar(e)</b>					<b>7.5 bar(e)</b>	
1010	1623 4093 00	1	Gear pinion		1010	1623 7625 00	1	Gear	
1020	1623 4094 00	1	Gear drive		1020	1623 7624 00	1	Gear	
			<b>8.5 bar(e)</b>					<b>8.5 bar(e)</b>	
1010	1623 4110 00	1	Gear pinion		1010	1623 8002 00	1	Gear	
1020	1623 4111 00	1	Gear drive		1020	1623 8001 00	1	Gear	
			<b>8.6 bar(e)</b>					<b>8.6 bar(e)</b>	
1010	1623 3996 00	1	Gear pinion		1010	1623 8006 00	1	Gear	
1020	1623 3997 00	1	Gear drive		1020	1623 8005 00	1	Gear	

8



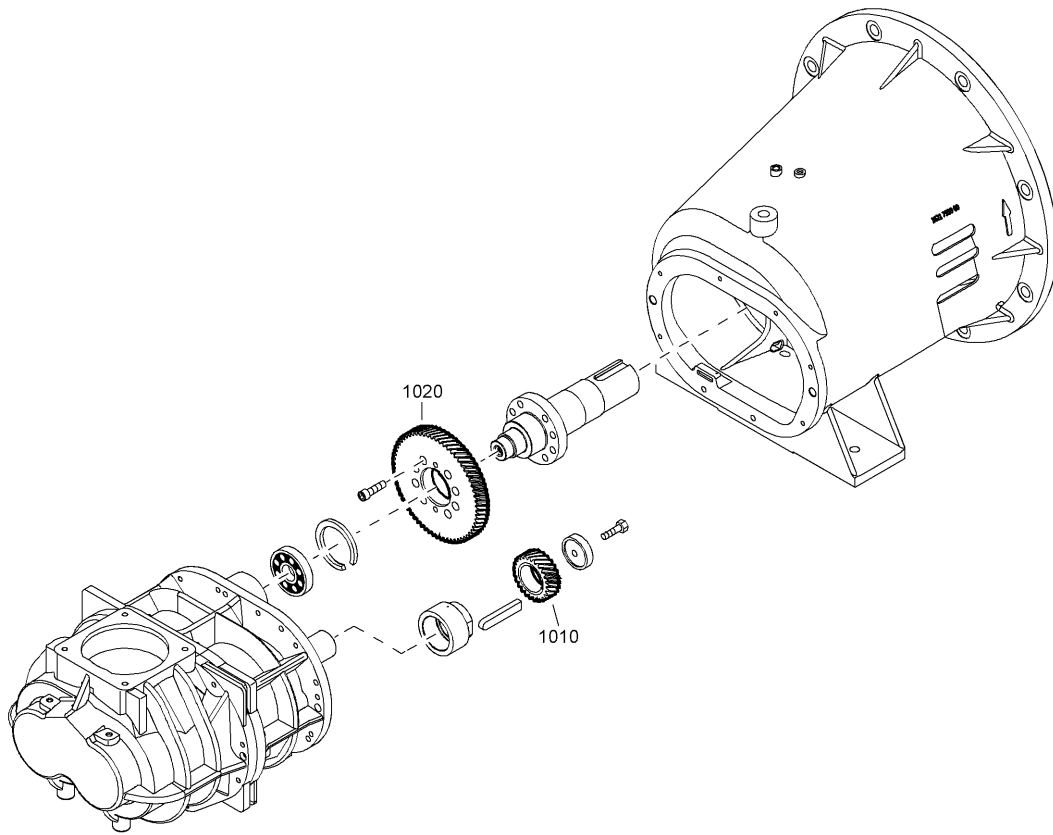
73709

## Gears - 10bar(e) to 14bar(e)

8

Ref.	Part number	Qty	Name	Remarks	Ref.	Part number	Qty	Name	Remarks
			<b>GA 90+</b>					<b>10.4 bar(e)</b>	
			<b>10 bar(e)</b>		1010	1623 7633 00	1	Gear	
1010	1623 4083 00	1	Gear pinion		1020	1623 7632 00	1	Gear	
1020	1623 4084 00	1	Gear drive					<b>13.8 bar(e)</b>	
			<b>10.4 bar(e)</b>		1010	1623 7635 00	1	Gear	
1010	1623 4090 00	1	Gear pinion		1020	1623 7634 00	1	Gear	
1020	1623 4091 00	1	Gear drive					<b>14 bar(e)</b>	
			<b>13.8 bar(e)</b>		1010	1623 7627 00	1	Gear	
1010	1623 4093 00	1	Gear pinion		1020	1623 7626 00	1	Gear	
1020	1623 4094 00	1	Gear drive					<b>Pack-High ambient condation</b>	
			<b>14 bar(e)</b>					<b>GA 90+</b>	
1010	1623 4085 00	1	Gear pinion					<b>10 bar(e)</b>	
1020	1623 4086 00	1	Gear drive		1010	1623 4073 00	1	Gear pinion	
			<b>GA 110</b>		1020	1623 4074 00	1	Gear drive	
			<b>10 bar(e)</b>					<b>10.4 bar(e)</b>	
1010	1623 3973 00	1	Gear pinion		1010	1623 4093 00	1	Gear pinion	
1020	1623 3974 00	1	Gear drive		1020	1623 4094 00	1	Gear drive	
			<b>10.4 bar(e)</b>					<b>13.8 bar(e)</b>	
1010	1623 4071 00	1	Gear pinion		1010	1623 4116 00	1	Gear pinion	
1020	1623 4072 00	1	Gear drive		1020	1623 4117 00	1	Gear drive	
			<b>GA 110+</b>					<b>14 bar(e)</b>	
			<b>10 bar(e)</b>		1010	1623 4098 00	1	Gear pinion	
1010	1623 3976 00	1	Gear pinion		1020	1623 4099 00	1	Gear drive	
1020	1623 3977 00	1	Gear drive					<b>GA 110</b>	
			<b>10.4 bar(e)</b>					<b>10 bar(e)</b>	
1010	1623 8010 00	1	Gear		1010	1623 4068 00	1	Gear pinion	
1020	1623 8009 00	1	Gear		1020	1623 4069 00	1	Gear drive	
			<b>13.8 bar(e)</b>					<b>10.4 bar(e)</b>	
1010	1623 4073 00	1	Gear pinion		1010	1623 4073 00	1	Gear pinion	
1020	1623 4074 00	1	Gear drive		1020	1623 4074 00	1	Gear drive	
			<b>14 bar(e)</b>					<b>GA 110+</b>	
1010	1623 3978 00	1	Gear pinion					<b>10.4 bar(e)</b>	
1020	1623 3979 00	1	Gear drive		1010	1623 4087 00	1	Gear pinion	
			<b>GA 132</b>		1020	1623 4088 00	1	Gear drive	
			<b>10 bar(e)</b>					<b>10.4 bar(e)</b>	
1010	1623 4100 00	1	Gear pinion		1010	1623 4118 00	1	Gear pinion	
1020	1623 4101 00	1	Gear drive		1020	1623 4119 00	1	Gear drive	
			<b>10.4 bar(e)</b>					<b>13.8 bar(e)</b>	
1010	1623 3996 00	1	Gear pinion		1010	1623 4098 00	1	Gear pinion	
1020	1623 3997 00	1	Gear drive		1020	1623 4099 00	1	Gear drive	
			<b>GA 132+</b>					<b>14 bar(e)</b>	
			<b>10 bar(e)</b>		1010	1623 4073 00	1	Gear pinion	
1010	1623 5173 00	1	Gear pinion		1020	1623 4074 00	1	Gear drive	
1020	1623 5174 00	1	Gear drive					<b>GA 132</b>	
			<b>10.4 bar(e)</b>					<b>10 bar(e)</b>	
1010	1623 3994 00	1	Gear pinion		1010	1623 4114 00	1	Gear pinion	
1020	1623 3995 00	1	Gear drive		1020	1623 4115 00	1	Gear pinion	
			<b>13.8 bar(e)</b>					<b>10.4 bar(e)</b>	
1010	1623 3998 00	1	Gear pinion		1010	1623 3978 00	1	Gear pinion	
1020	1623 3999 00	1	Gear drive		1020	1623 3979 00	1	Gear drive	
			<b>14 bar(e)</b>					<b>GA 132+</b>	
1010	1623 3944 00	1	Gear pinion					<b>10 bar(e)</b>	
1020	1623 3945 00	1	Gear drive		1010	1623 3969 00	1	Gear pinion	
			<b>GA 160</b>		1020	1623 3970 00	1	Gear drive	
			<b>10 bar(e)</b>					<b>10.4 bar(e)</b>	
1010	1623 7625 00	1	Gear		1010	1623 8010 00	1	Gear	
1020	1623 7624 00	1	Gear		1020	1623 8009 00	1	Gear	
			<b>10.4 bar(e)</b>					<b>13.8 bar(e)</b>	
1010	1623 7633 00	1	Gear		1010	1623 4073 00	1	Gear pinion	
1020	1623 7632 00	1	Gear		1020	1623 4074 00	1	Gear drive	
			<b>GA 160+</b>					<b>14 bar(e)</b>	
			<b>10 bar(e)</b>		1010	1623 4068 00	1	Gear pinion	
1010	1623 7625 00	1	Gear		1020	1623 4069 00	1	Gear drive	
1020	1623 7624 00	1	Gear						

8



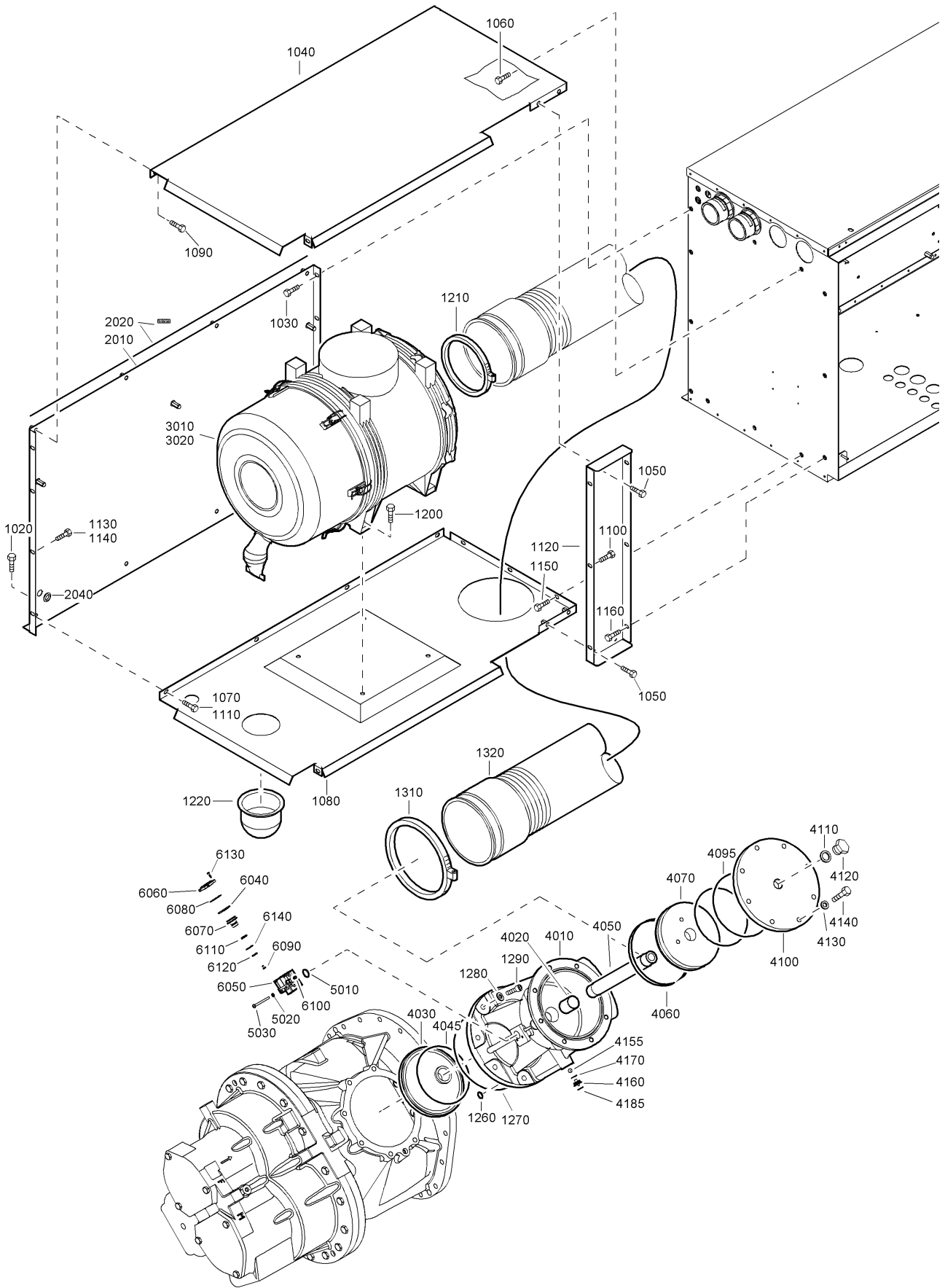
73709

**Gears - 10bar(e) to 14bar(e)**

8

Ref.	Partnumber	Qty	Name	Remarks	Ref.	Partnumber	Qty	Name	Remarks
			<b>GA 160 10 bar(e)</b>		1020	1623 8003 00	1	Gear <b>10.4 bar(e)</b>	
1010	1623 8004 00	1	Gear		1010	1623 8008 00	1	Gear	
1020	1623 8003 00	1	Gear		1020	1623 8007 00	1	Gear <b>13.8 bar(e)</b>	
			<b>10.4 bar(e)</b>						
1010	1623 8008 00	1	Gear		1010	1623 8010 00	1	Gear	
1020	1623 8007 00	1	Gear		1020	1623 8009 00	1	Gear <b>14 bar(e)</b>	
			<b>GA 160+ 10 bar(e)</b>						
1010	1623 8004 00	1	Gear		1010	1623 7633 00	1	Gear	
					1020	1623 7632 00	1	Gear	

# 9

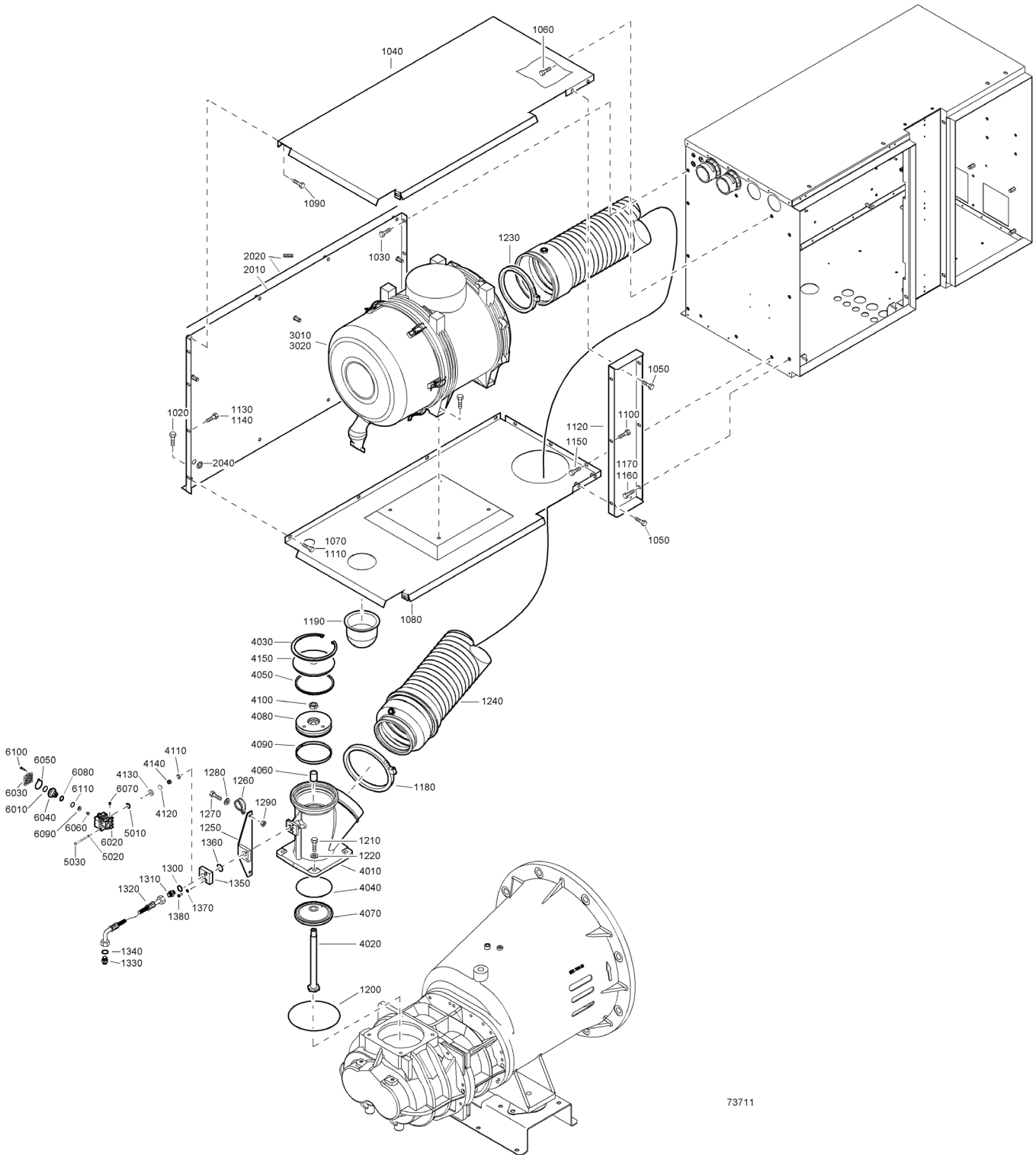


## Air inlet - Without modulating control - 5.2bar(e) to 14bar(e)

9

Ref.	Part number	Qty	Name	Remarks	Ref.	Part number	Qty	Name	Remarks
			<b>GA 90+</b>		1110	0147 1963 08	2	Hexagon bolt	
			<b>GA 110+</b>		1120	1623 0421 00	1	Beam	
			<b>GA 132+</b>		1130	0147 1963 08	2	Hexagon bolt	
			<b>GA 160</b>		1140	0147 1963 08	2	Hexagon bolt	
			<b>GA 160+</b>		1150	1079 1472 05	3	Bolt	
			<b>5.2 bar(e)</b>		1160	1079 1472 05	3	Bolt	
			<b>5.5 bar(e)</b>		1200	0147 1360 03	4	Bolt	
			<b>6.9 bar(e)</b>		1210	0347 6100 49	1	Hose clamp	
			<b>7.5 bar(e)</b>		1220	1623 1128 00	1	Cap	
			<b>8.5 bar(e)</b>		1260	0663 2114 23	1	O-ring	
			<b>8.6 bar(e)</b>		1270	0663 2108 13	1	O-ring	
			<b>10 bar(e)</b>		1280	0301 2358 00	6	Washer	
			<b>10.4 bar(e)</b>		1290	0211 1102 20	6	Screw	
1020	0147 1963 08	5	Hexagon bolt		1310	0347 6100 49	1	Hose clamp	
1030	1079 1472 05	16	Bolt		1320	1623 0917 00	1	Hose	
1040	1623 0419 00	1	Baffle			<b>1623 0319 80</b>	<b>1</b>	<b>Plate</b>	
1050	0147 1963 08	4	Hexagon bolt		2010		• 1	Baffle	
1060	1079 1472 05	3	Bolt		2020	1619 5188 00	• AR	Seal	
1070	0147 1963 08	2	Hexagon bolt		2040	0698 0153 00	• 1	Rubber ring	
1080	1623 0418 00	1	Baffle			<b>1621 7377 80</b>	<b>1</b>	<b>Filter</b>	
1090	0147 1963 08	4	Hexagon bolt		3010		• 1	Housing	
1100	1079 1472 05	3	Bolt		3020	1621 7376 00	• 1	Filter element	
1110	0147 1963 08	2	Hexagon bolt			<b>1623 0794 82</b>	<b>1</b>	<b>Valve</b>	
1120	1623 0421 00	1	Beam		4010		• 1	Housing valve	
1130	0147 1963 08	2	Hexagon bolt		4020	1623 0904 00	• 1	Bushing	
1140	0147 1963 08	2	Hexagon bolt		4030	1623 0335 00	• 1	Valve regulator	
1150	1079 1472 05	3	Bolt		4045	0663 2114 22	• 1	O-ring	
1160	1079 1472 05	3	Bolt		4050	1623 0508 00	• 1	Rod	
1200	0147 1360 03	4	Bolt		4060	1623 0540 00	• 1	Tape	
1210	0347 6100 49	1	Hose clamp		4070	1623 0334 00	• 1	Piston	
1220	1623 1128 00	1	Cap		4095	0663 2109 49	• 1	O-ring	
1260	0663 2114 23	1	O-ring		4100	1623 0796 00	• 1	Cover valve	
1270	0663 2108 13	1	O-ring		4110	0661 1000 29	• 1	Seal washer	
1280	0301 2358 00	6	Washer		4120	0686 3716 35	• 1	Plug	
1290	0211 1102 20	6	Screw		4130	0301 2358 00	• 8	Washer	
1310	0347 6100 49	1	Hose clamp		4140	0147 1403 03	• 8	Bolt	
1320	1623 0917 00	1	Hose		4155	0517 1424 00	• 1	Bearing ball	
	<b>1623 0319 80</b>	<b>1</b>	<b>Plate</b>		4160	1623 0881 00	• 1	Pin	
2010		• 1	Baffle		4170	0663 2111 66	• 1	O-ring	
2020	1619 5188 00	• AR	Seal		4185	0335 2126 00	• 1	Circlip internal	
2040	0698 0153 00	• 1	Rubber ring			<b>1623 1810 80</b>	<b>1</b>	<b>Blow off valve</b>	
	<b>1621 7377 80</b>	<b>1</b>	<b>Filter</b>		5010	0663 2111 55	• 1	O-ring	
3010		• 1	Housing		5020	0301 2318 00	• 2	Washer	
3020	1621 7376 00	• 1	Filter element		5030	0160 0996 99	• 2	Screw	
			<b>GA 160+</b>			<b>1622 3694 80</b>	<b>• 1</b>	<b>Assembly</b>	
			<b>10 bar(e)</b>		6040	1513 0477 00	•• 1	Piston ring	
			<b>13.8 bar(e)</b>		6050		•• 1	Housing	
			<b>14 bar(e)</b>		6060	1622 3694 01	•• 1	Cover	
1020	0147 1963 08	5	Hexagon bolt		6070	1622 3694 02	•• 1	Piston	
1030	1079 1472 05	16	Bolt		6080	1622 3694 04	•• 1	Seal	
1040	1623 0419 00	1	Baffle		6090	1622 3694 05	•• 1	Rivet	
1050	0147 1963 08	4	Hexagon bolt		6100	1622 3694 06	•• 1	Insert	
1060	1079 1472 05	3	Bolt		6110	0663 2112 69	•• 1	O-ring	
1070	0147 1963 08	2	Hexagon bolt		6120	1622 3694 03	•• 1	Seal	
1080	1623 0418 00	1	Baffle		6130	0226 3300 18	•• 1	Screw	
1090	0147 1963 08	4	Hexagon bolt		6140	1622 3694 07	•• 1	Glide seal	
1100	1079 1472 05	3	Bolt						

# 10



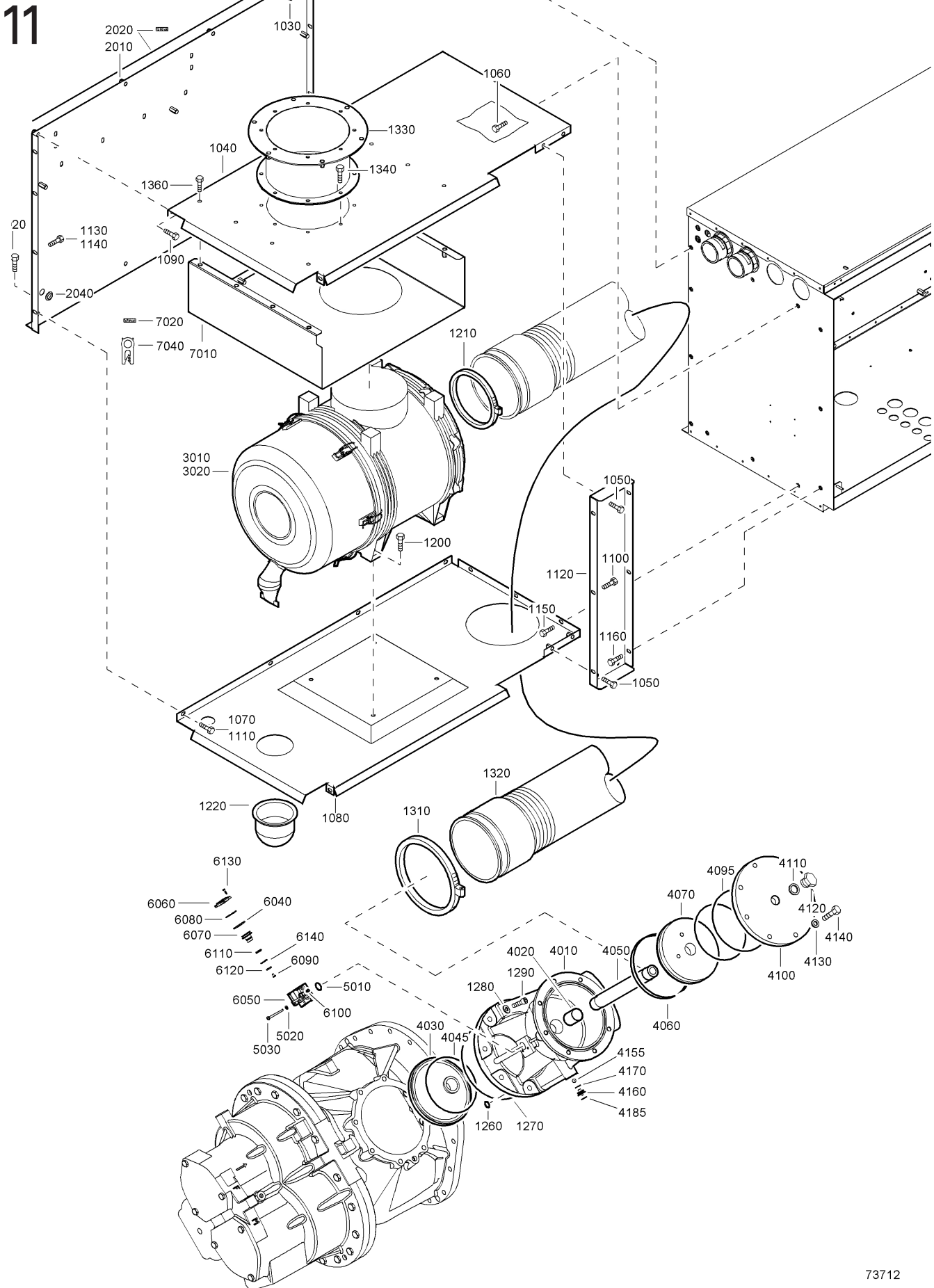
73711

73711



## Air inlet - Without modulating control - 10bar(e) to 14bar(e)

Ref.	Partnumber	Qty	Name	Remarks	Ref.	Partnumber	Qty	Name	Remarks
			<b>GA 90+</b>		1360	0663 2111 55	1	O-ring	
			<b>GA 110</b>		1370	0301 2318 00	2	Washer	
			<b>GA 110+</b>		1380	0160 6065 00	2	Screw	
			<b>GA 132</b>			<b>1623 0319 80</b>	1	<b>Plate</b>	
			<b>GA 132+</b>		2010		• 1	Baffle	
			<b>10 bar(e)</b>		2020	1619 5188 00	• 1	AR Seal	
			<b>10.4 bar(e)</b>		2040	0698 0153 00	• 1	Rubber ring	
			<b>13.8 bar(e)</b>			<b>1621 7377 80</b>	1	<b>Filter</b>	
			<b>14 bar(e)</b>		3010		• 1	Housing	
1020	0147 1963 08	5	Screw		3020	1621 7376 00	• 1	Filter element	
1030	1079 1472 05	16	Screw			<b>1623 1786 80</b>	1	<b>Assembly</b>	
1040	1623 0419 00	1	Baffle		4010	1622 3778 00	• 1	Housing	
1050	0147 1963 08	4	Hexagon bolt		4020	1622 3688 00	• 1	Rod	
1060	1079 1472 05	3	Screw		4030	0335 2182 00	• 1	Int.circlip	
1070	0147 1963 08	2	Screw		4040	0663 7151 00	• 1	O-ring	
1080	1623 0418 00	1	Baffle		4050	1622 3691 00	• 1	Quad ring	
1090	0147 1963 08	4	Screw		4060	1622 3690 00	• 1	Bushing	
1100	1079 1472 05	3	Screw		4070	1623 1785 00	• 1	Valve	
1110	0147 1963 08	2	Screw		4080	1622 3687 00	• 1	Piston	
1120	1623 0421 00	1	Beam		4090	1622 3689 00	• 1	Guidance tape	
1130	0147 1963 08	2	Screw		4100	0261 1099 32	• 1	Hexagon nut	
1140	0147 1963 08	2	Screw		4110	1622 3182 00	• 1	Guide	
1150	1079 1472 05	3	Screw		4120	1622 3183 00	• 1	Seal	
1160	1079 1472 05	3	Screw		4130	1622 3184 00	• 1	Bushing	
1170	0147 1360 03	4	Bolt		4140	1622 3185 00	• 1	Spring	
1180	0347 6100 49	1	Hose clamp		4150	1622 3649 00	• 1	Cover	
1190	1623 1128 00	1	Cap			<b>1623 1810 80</b>	1	<b>Assembly</b>	
1200	0663 2107 37	1	O-ring		5010	0663 2111 55	• 1	O-ring	
1210	0147 1363 03	4	Bolt		5020	0301 2318 00	• 2	Washer	
1220	0301 2344 00	4	Washer		5030	0160 0996 99	• 2	Screw	
1230	0347 6120 00	1	Hose clip			<b>1622 3694 80</b>	1	<b>Assembly</b>	
1240	1623 0916 00	1	Hose		6010	1513 0477 00	• 1	Piston ring	
1250	1623 2086 00	1	Support		6020		• 1	Housing	
1260	0346 1002 10	2	Pipe clamp		6030	1622 3694 01	• 1	Cover	
1270	0147 1322 03	2	Bolt		6040	1622 3694 02	• 1	Piston	
1280	0301 2335 00	2	Washer		6050	1622 3694 04	• 1	Seal	
1290	0266 1110 00	2	Nut		6060	1622 3694 05	• 1	Rivet	
1300	0661 1000 27	1	Seal washer		6070	1622 3694 06	• 1	Insert	
1310	1079 5840 15	1	Nipple		6080	0663 2112 69	• 1	O-ring	
1320	0575 0125 08	1	Hose assembly		6090	1622 3694 03	• 1	Seal	
1330	1079 5840 15	1	Nipple		6100	0226 3300 18	• 1	Screw	
1340	0661 1000 27	1	Seal washer		6110	1622 3694 07	• 1	Glide seal	
1350	1623 2085 00	1	Support						



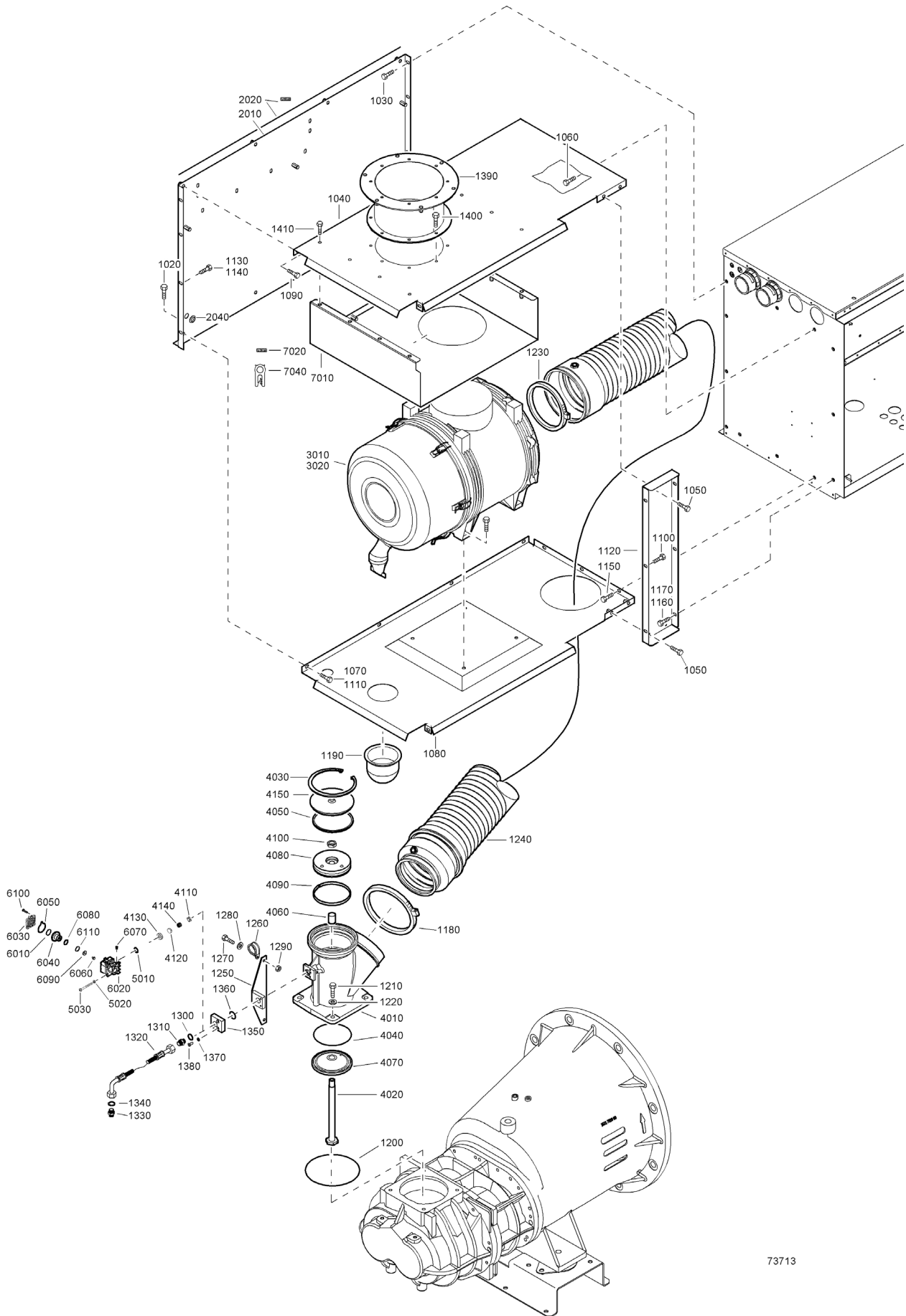
73712

73712

## Air inlet - With separate air intake - 5.2 bar(e) to 14 bar(e)

Ref.	Partnumber	Qty	Name	Remarks	Ref.	Partnumber	Qty	Name	Remarks
			<b>With Separate air intake</b>		1200	0147 1360 03	4	Bolt	
			<b>GA 90+</b>		1210	0347 6100 49	1	Hose clamp	
			<b>GA 110+</b>		1220	1623 1128 00	1	Cap	
			<b>GA 132+</b>		1260	0663 2114 23	1	O-ring	
			<b>GA 160</b>		1270	0663 2108 13	1	O-ring	
			<b>5.2 bar(e)</b>		1280	0301 2358 00	6	Washer	
			<b>5.5 bar(e)</b>		1290	0211 1102 20	6	Screw	
			<b>6.9 bar(e)</b>		1310	0347 6100 49	1	Hose clamp	
			<b>7.5 bar(e)</b>		1320	1623 0917 00	1	Hose	
			<b>8.5 bar(e)</b>		<b>1330</b>	<b>1623 1829 80</b>	<b>1</b>	<b>Pipe</b>	
			<b>8.6 bar(e)</b>			1619 5188 00	• AR	Seal	
			<b>10 bar(e)</b>		1340	0147 1963 08	8	Hexagon bolt	
			<b>10.4 bar(e)</b>		1360	1079 1472 05	16	Bolt	
1020	0147 1963 08	5	Hexagon bolt			<b>1623 2803 80</b>	<b>1</b>	<b>Baffle</b>	
1030	1079 1472 05	16	Bolt		2010		• 1	Baffle	
1040	1623 1828 00	1	Baffle		2020	1619 5188 00	• AR	Seal	
1050	0147 1963 08	4	Hexagon bolt		2040	0698 0153 00	• 1	Rubber ring	
1060	1079 1472 05	3	Bolt			<b>1621 7377 80</b>	<b>1</b>	<b>Filter</b>	
1070	0147 1963 08	2	Hexagon bolt		3010		• 1	Housing	
1080	1623 0418 00	1	Baffle		3020	1621 7376 00	• 1	Filter element	
1090	0147 1963 08	4	Hexagon bolt			<b>1623 0794 82</b>	<b>1</b>	<b>Valve</b>	
1100	1079 1472 05	3	Bolt		4010		• 1	Housing valve	
1110	0147 1963 08	2	Hexagon bolt			0259 0068 00	•• 8	Thread insert	
1120	1623 0421 00	1	Beam		4020	1623 0904 00	• 1	Bushing	
1130	0147 1963 08	2	Hexagon bolt		4030	1623 0335 00	• 1	Valve regulator	
1140	0147 1963 08	2	Hexagon bolt		4045	0663 2114 22	• 1	O-ring	
1150	1079 1472 05	3	Bolt		4050	1623 0508 00	• 1	Rod	
1160	1079 1472 05	3	Bolt		4060	1623 0540 00	• 1	Tape	
1200	0147 1360 03	4	Bolt		4070	1623 0334 00	• 1	Piston	
1210	0347 6100 49	1	Hose clamp		4095	0663 2109 49	• 1	O-ring	
1220	1623 1128 00	1	Cap		4100	1623 0796 00	• 1	Cover valve	
1260	0663 2114 23	1	O-ring		4110	0661 1000 29	• 1	Seal washer	
1270	0663 2108 13	1	O-ring		4120	0686 3716 35	• 1	Plug	
1280	0301 2358 00	6	Washer		4130	0301 2358 00	• 8	Washer	
1290	0211 1102 20	6	Screw		4140	0147 1403 03	• 8	Bolt	
1310	0347 6100 49	1	Hose clamp		4155	0517 1424 00	• 1	Bearing ball	
1320	1623 0917 00	1	Hose		4160	1623 0881 00	• 1	Pin	
<b>1330</b>	<b>1623 1829 80</b>	<b>1</b>	<b>Pipe</b>		4170	0663 2111 66	• 1	O-ring	
	1619 5188 00	• AR	Seal		4185	0335 2126 00	• 1	Circlip internal	
1340	0147 1963 08	8	Hexagon bolt			<b>1623 1810 80</b>	<b>1</b>	<b>Assembly</b>	
1360	1079 1472 05	16	Bolt		5010	0663 2111 55	• 1	O-ring	
			<b>GA 160+</b>		5020	0301 2318 00	• 2	Washer	
			<b>10.4 bar(e)</b>		5030	0160 0996 99	• 2	Screw	
			<b>13.8 bar(e)</b>			<b>1622 3694 80</b>	<b>• 1</b>	<b>Assembly</b>	
			<b>14 bar(e)</b>		6040	1513 0477 00	•• 1	Piston ring	
1020	0147 1963 08	5	Hexagon bolt		6050		•• 1	Housing	
1030	1079 1472 05	16	Bolt		6060	1622 3694 01	•• 1	Cover	
1040	1623 1828 00	1	Baffle		6070	1622 3694 02	•• 1	Piston	
1050	0147 1963 08	4	Hexagon bolt		6080	1622 3694 04	•• 1	Seal	
1060	1079 1472 05	3	Bolt		6090	1622 3694 05	•• 1	Rivet	
1070	0147 1963 08	2	Hexagon bolt		6100	1622 3694 06	•• 1	Insert	
1080	1623 0418 00	1	Baffle		6110	0663 2112 69	•• 1	O-ring	
1090	0147 1963 08	4	Hexagon bolt		6120	1622 3694 03	•• 1	Seal	
1100	1079 1472 05	3	Bolt		6130	0226 3300 18	•• 1	Screw	
1110	0147 1963 08	2	Hexagon bolt		6140	1622 3694 07	•• 1	Glide seal	
1120	1623 0421 00	1	Beam			<b>1623 1827 80</b>	<b>• 1</b>	<b>Baffle</b>	
1130	0147 1963 08	2	Hexagon bolt		7010		• 1	Baffle	
1140	0147 1963 08	2	Hexagon bolt		7020	1619 5188 00	• AR	Seal	
1150	1079 1472 05	3	Bolt		7040	1202 6584 00	• AR	Seal	
1160	1079 1472 05	3	Bolt						

# 12



73713

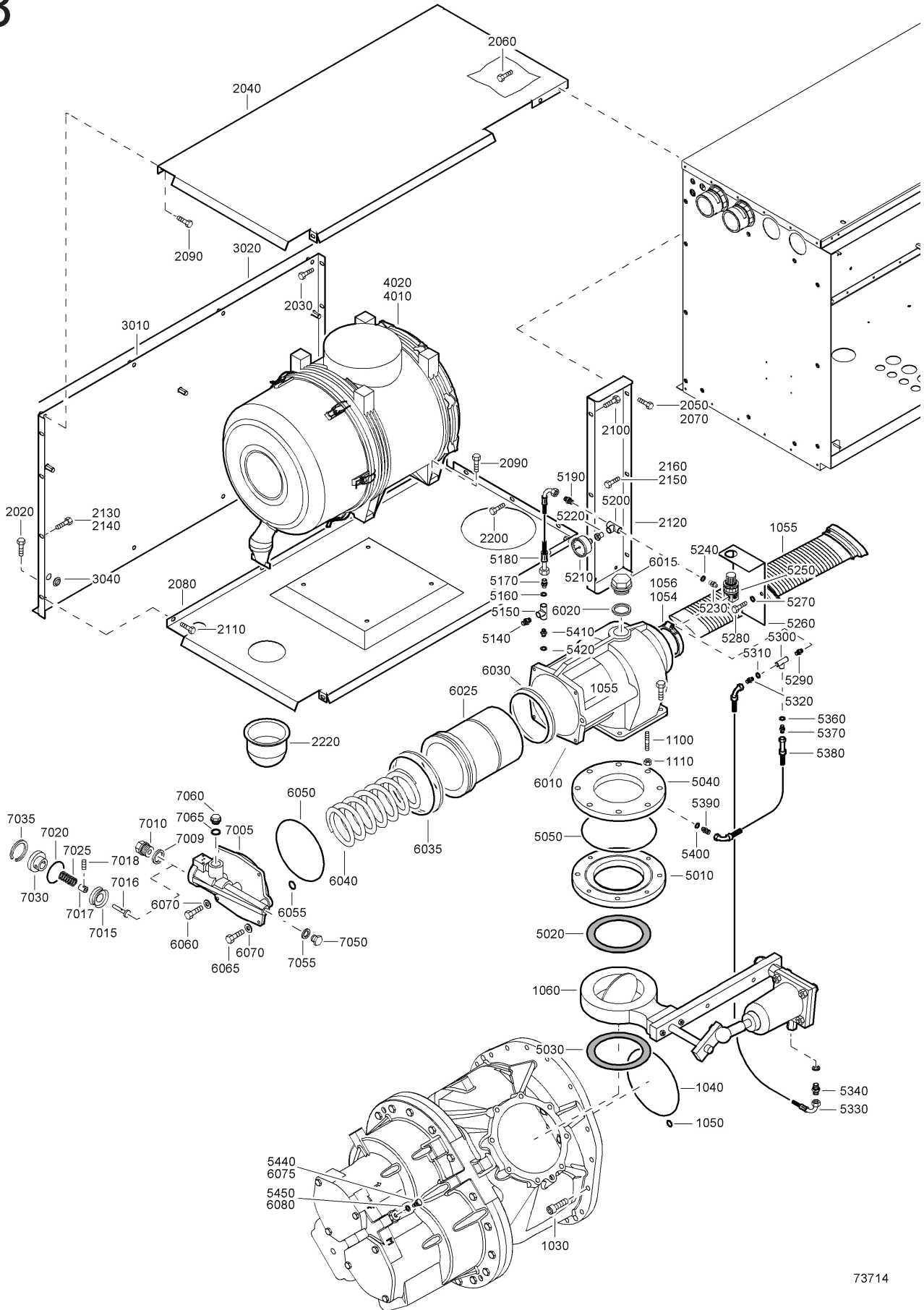
73713

## Air inlet - With separate air intake - 10 bar(e) to 14 bar(e)

12

Ref.	Partnumber	Qty	Name	Remarks	Ref.	Partnumber	Qty	Name	Remarks
			<b>GA 90+</b>		<b>1390</b>	<b>1623 1829 80</b>	<b>1</b>	<b>Pipe</b>	
			<b>GA 110</b>			1619 5188 00	• AR	Seal	
			<b>GA 110+</b>		1400	0147 1963 08	8	Hexagon bolt	
			<b>GA 132</b>		1410	1079 1472 05	16	Bolt	
			<b>GA 132+</b>			<b>1623 2803 80</b>	<b>1</b>	<b>Baffle</b>	
			<b>10 bar(e)</b>		2010		• 1	Baffle	
			<b>10.4 bar(e)</b>		2020	1619 5188 00	• AR	Seal	
			<b>13.8 bar(e)</b>		2040	0698 0153 00	• 1	Rubber ring	
			<b>14 bar(e)</b>			<b>1621 7377 80</b>	<b>1</b>	<b>Filter</b>	
1020	0147 1963 08	5	Hexagon bolt		3010		• 1	Housing	
1030	1079 1472 05	16	Bolt		3020	1621 7376 00	• 1	Filter element	
1040	1623 1828 00	1	Baffle			<b>1623 1786 80</b>	<b>1</b>	<b>Assembly</b>	
1050	0147 1963 08	4	Hexagon bolt		4010	1622 3778 00	• 1	Housing	
1060	1079 1472 05	3	Bolt		4020	1622 3688 00	• 1	Rod	
1070	0147 1963 08	2	Hexagon bolt		4030	0335 2182 00	• 1	Int.circlip	
1080	1623 0418 00	1	Baffle		4040	0663 7151 00	• 1	O-ring	
1090	0147 1963 08	4	Hexagon bolt		4050	1622 3691 00	• 1	Quad ring	
1100	1079 1472 05	3	Bolt		4060	1622 3690 00	• 1	Bushing	
1110	0147 1963 08	2	Hexagon bolt		4070	1623 1785 00	• 1	Valve	
1120	1623 0421 00	1	Beam		4080	1622 3687 00	• 1	Piston	
1130	0147 1963 08	2	Hexagon bolt		4090	1622 3689 00	• 1	Guidance tape	
1140	0147 1963 08	2	Hexagon bolt		4100	0261 1099 32	• 1	Hexagon nut	
1150	1079 1472 05	3	Bolt		4110	1622 3182 00	• 1	Guide	
1160	1079 1472 05	3	Bolt		4120	1622 3183 00	• 1	Seal	
1170	0147 1360 03	4	Bolt		4130	1622 3184 00	• 1	Bushing	
1180	0347 6100 49	1	Hose clamp		4140	1622 3185 00	• 1	Spring	
1190	1623 1128 00	1	Cap		4150	1622 3649 00	• 1	Cover	
1200	0663 2107 37	1	O-ring			<b>1623 1810 80</b>	<b>1</b>	<b>Assembly</b>	
1210	0147 1363 03	4	Bolt		5010	0663 2111 55	• 1	O-ring	
1220	0301 2344 00	4	Washer		5020	0301 2318 00	• 2	Washer	
1230	0347 6120 00	1	Hose clip		5030	0160 0996 99	• 2	Screw	
1240	1623 0916 00	1	Hose			<b>1622 3694 80</b>	<b>1</b>	<b>Assembly</b>	
1250	1623 2086 00	1	Support		6010	1513 0477 00	• 1	Piston ring	
1260	0346 1002 10	2	Pipe clamp		6020		• 1	Housing	
1270	0147 1322 03	2	Bolt		6030	1622 3694 01	• 1	Cover	
1280	0301 2335 00	2	Washer		6040	1622 3694 02	• 1	Piston	
1290	0266 1110 00	2	Nut		6050	1622 3694 04	• 1	Seal	
1300	0661 1000 27	1	Seal washer		6060	1622 3694 05	• 1	Rivet	
1310	1079 5840 15	1	Nipple		6070	1622 3694 06	• 1	Insert	
1320	0575 0125 08	1	Hose assembly		6080	0663 2112 69	• 1	O-ring	
1330	1079 5840 15	1	Nipple		6090	1622 3694 03	• 1	Seal	
1340	0661 1000 27	1	Seal washer		6100	0226 3300 18	• 1	Screw	
1350	1623 2085 00	1	Support		6110	1622 3694 07	• 1	Glide seal	
1360	0663 2111 55	1	O-ring			<b>1623 1827 80</b>	<b>1</b>	<b>Baffle</b>	
1370	0301 2318 00	1	Washer		7010		• 1	Baffle	
1380	0160 6065 00	2	Screw		7020	1619 5188 00	• AR	Seal	
					7040	1202 6584 00	• AR	Seal	

# 13



73714

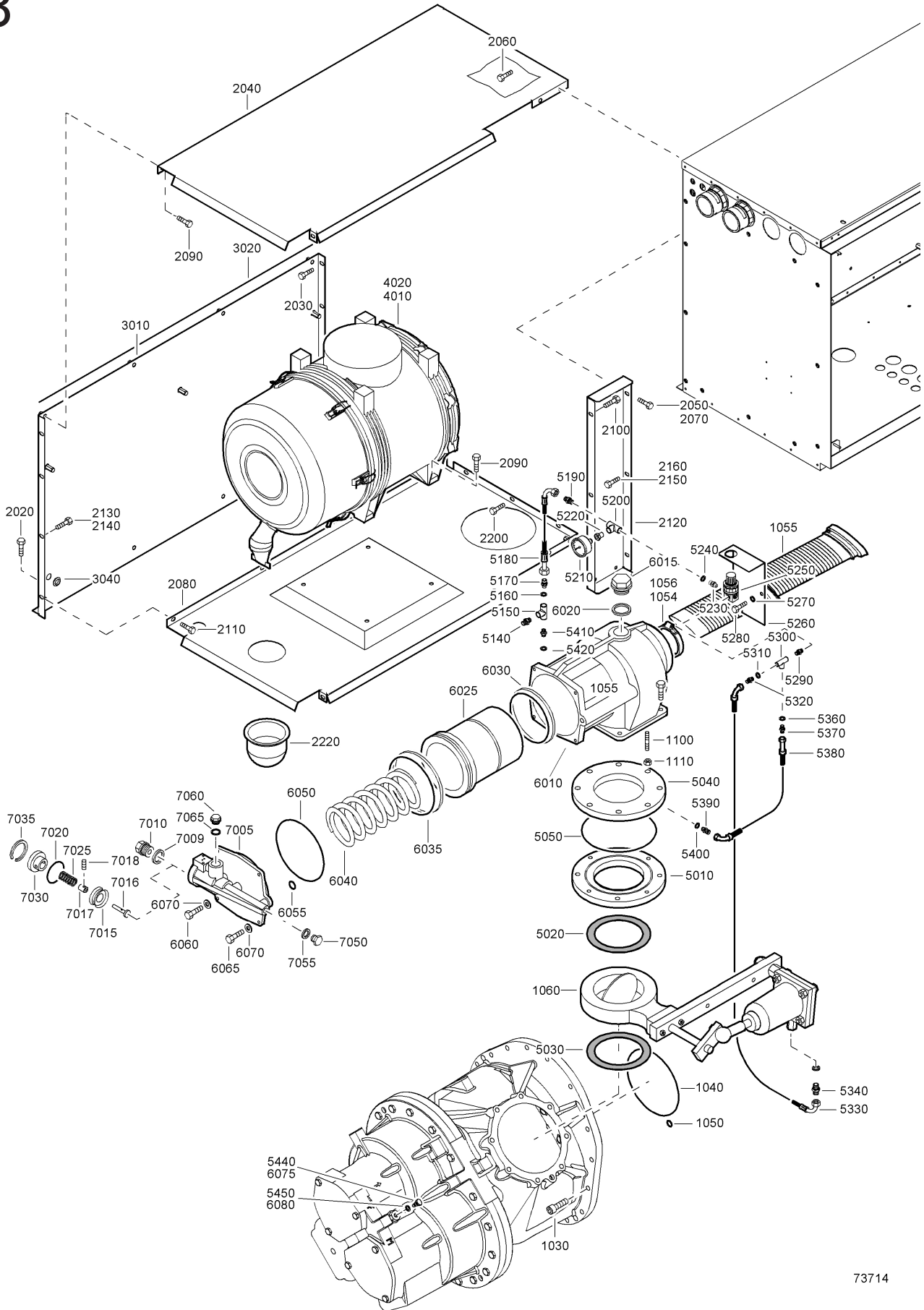
73714

## Air inlet - With modulating control - 5.2 bar(e) to 14 bar(e) - C190

13

Ref.	Partnumber	Qty	Name	Remarks	Ref.	Partnumber	Qty	Name	Remarks
			<b>With Mocon</b>		5280	0147 1325 03	1	Bolt	
			<b>GA 90+</b>		5290	1614 9475 00	1	Nipple	
			<b>GA 110+</b>		5300	0564 0000 77	1	Tee	
			<b>5.2 bar(e)</b>		5310	0653 0500 08	1	Flat gasket	
			<b>5.5 bar(e)</b>		5320	1079 5840 01	1	Nipple	
			<b>6.9 bar(e)</b>		5330	0574 8231 26	1	Hose assembly	
			<b>7.5 bar(e)</b>		5340	1079 5840 01	1	Nipple	
			<b>8.5 bar(e)</b>		5360	0653 0500 08	1	Flat gasket	
			<b>8.6 bar(e)</b>		5370	1079 5840 01	1	Nipple	
			<b>10 bar(e)</b>		5380	0574 8231 42	1	Hose assembly	
			<b>10.4 bar(e)</b>		5390	1614 8266 00	1	Nozzle	
1030	0211 1401 03	8	Cap screw		5400	0661 1000 24	1	Seal washer	
1040	0663 2103 19	1	O-ring		5410	1079 5840 29	1	Hexagon nipple	
1050	0663 2108 13	1	O-ring		5420	0661 1000 29	1	Seal washer	
1054	0347 6100 49	1	Hose clamp		5440	0686 3716 01	1	Plug	
1055	1623 5092 00	1	Hose		5450	0661 1000 25	1	Seal washer	
1056	0347 6100 47	1	Hose clamp			<b>1614 9258 80</b>	<b>1</b>	<b>Unloader assembly</b>	
1060	1614 9426 00	1	Throttle valve		6010	1614 9258 00	• 1	Valve housing	
1100	0248 9979 27	7	Threaded rod		6015	2250 2528 00	• 1	Plug screw	
1110	0266 2112 00	7	Nut		6020	0661 1000 31	• 1	Seal washer	
			<b>Filter</b>		6025	1614 9173 00	• 1	Valve	
2020	0147 1963 08	5	Hexagon bolt		6030	1619 6142 00	• 1	Sealring	
2030	1079 1472 05	16	Bolt		6035	1619 6143 00	• 1	Sealring	
2040	1623 0419 00	1	Baffle		6040	1614 9282 00	• 1	Spring	
2050	0147 1963 08	4	Hexagon bolt		6050	0663 2109 71	• 1	O-ring	
2060	1079 1472 05	3	Bolt		6055	0663 2109 73	• 2	O-ring	
2070	0147 1963 08	2	Hexagon bolt		6060	0147 1326 03	• 2	Bolt	
2080	1623 0418 00	1	Baffle		6065	0147 1958 97	• 2	Bolt	
2090	0147 1963 08	4	Hexagon bolt		6070	0301 2335 00	• 4	Washer	
2100	1079 1472 05	3	Bolt		6075	0686 3716 01	• 1	Plug	
2110	0147 1963 08	2	Hexagon bolt		6080	0653 1062 00	• 1	Flat gasket	
2120	1623 0421 00	1	Beam			<b>1614 9177 80</b>	<b>• 1</b>	<b>Cover assembly</b>	
2130	0147 1963 08	2	Hexagon bolt		7005	1614 9177 00	•• 1	Valve cover	
2140	0147 1963 08	2	Hexagon bolt		7009	0661 1000 36	•• 1	Seal washer	
2150	1079 1472 05	3	Bolt		7010	1614 9154 00	•• 1	Valve seat	
2160	1079 1472 05	3	Bolt		7015	1621 9133 00	•• 1	Piston	
2200	0147 1360 03	4	Bolt		7016	1621 9669 00	•• 1	Pin	
2220	1623 1128 00	1	Cap		7017	1621 9670 00	•• 1	Bushing	
	<b>1623 0319 80</b>	<b>1</b>	<b>Plate</b>		7018	0196 1553 13	•• 1	Set screw	
3010	1623 0319 00	• 1	Baffle		7020	0663 9868 00	•• 1	O-ring	
3020	1619 5188 00	• AR	Seal		7025	1614 9156 00	•• 1	Spring	
3040	0698 0153 00	• 1	Rubber ring		7030	1621 9136 00	•• 1	Cover	
	<b>1621 7377 80</b>	<b>1</b>	<b>Filter</b>		7035	0335 2150 00	•• 1	Circlips	
4010		• 1	Housing		7050	0686 3716 38	•• 1	Plug	
4020	1621 7376 00	• 1	Filter element		7055	0653 9078 00	•• 1	Flat gasket	
			<b>Air inlet</b>		7060	0686 4201 03	•• 1	Plug	
5010	1623 3139 01	1	Flange		7065	0653 0500 08	•• 1	Flat gasket	
5020	0650 0101 17	1	Gasket					<b>GA 132+</b>	
5030	0650 0101 17	1	Gasket					<b>GA 160</b>	
5040	1614 9254 00	1	Flange					<b>5.2 bar(e)</b>	
5050	0663 2109 71	1	O-ring					<b>5.5 bar(e)</b>	
5140	0603 4101 03	1	Hexagon nipple					<b>6.9 bar(e)</b>	
5150	0564 0000 77	1	Tee					<b>7.5 bar(e)</b>	
5160	0653 0500 08	2	Flat gasket					<b>8.5 bar(e)</b>	
5170	1079 5840 01	1	Nipple					<b>8.6 bar(e)</b>	
5180	0574 8231 05	1	Hose assembly					<b>10 bar(e)</b>	
5190	1614 9476 00	1	Nipple					<b>10.4 bar(e)</b>	
5200	0564 0000 78	1	Tee		1030	0211 1401 03	8	Cap screw	
5210	9090 1657 00	1	Gauge		1040	0663 2103 19	1	O-ring	
5220	0605 8300 35	1	Bushing		1050	0663 2108 13	1	O-ring	
5230	1619 5205 00	1	Nipple		1054	0347 6100 49	1	Hose clamp	
5240	0661 1000 25	1	Seal washer		1055	1623 5092 00	1	Hose	
5250	1615 7257 00	1	Regulating valve		1056	0347 6100 47	1	Hose clamp	
5260	1623 3142 00	1	Bracket		1060	1614 9426 01	1	Throttle valve	
5270	0301 2335 00	1	Washer		1100	0248 9979 27	7	Threaded rod	

# 13



73714

73714

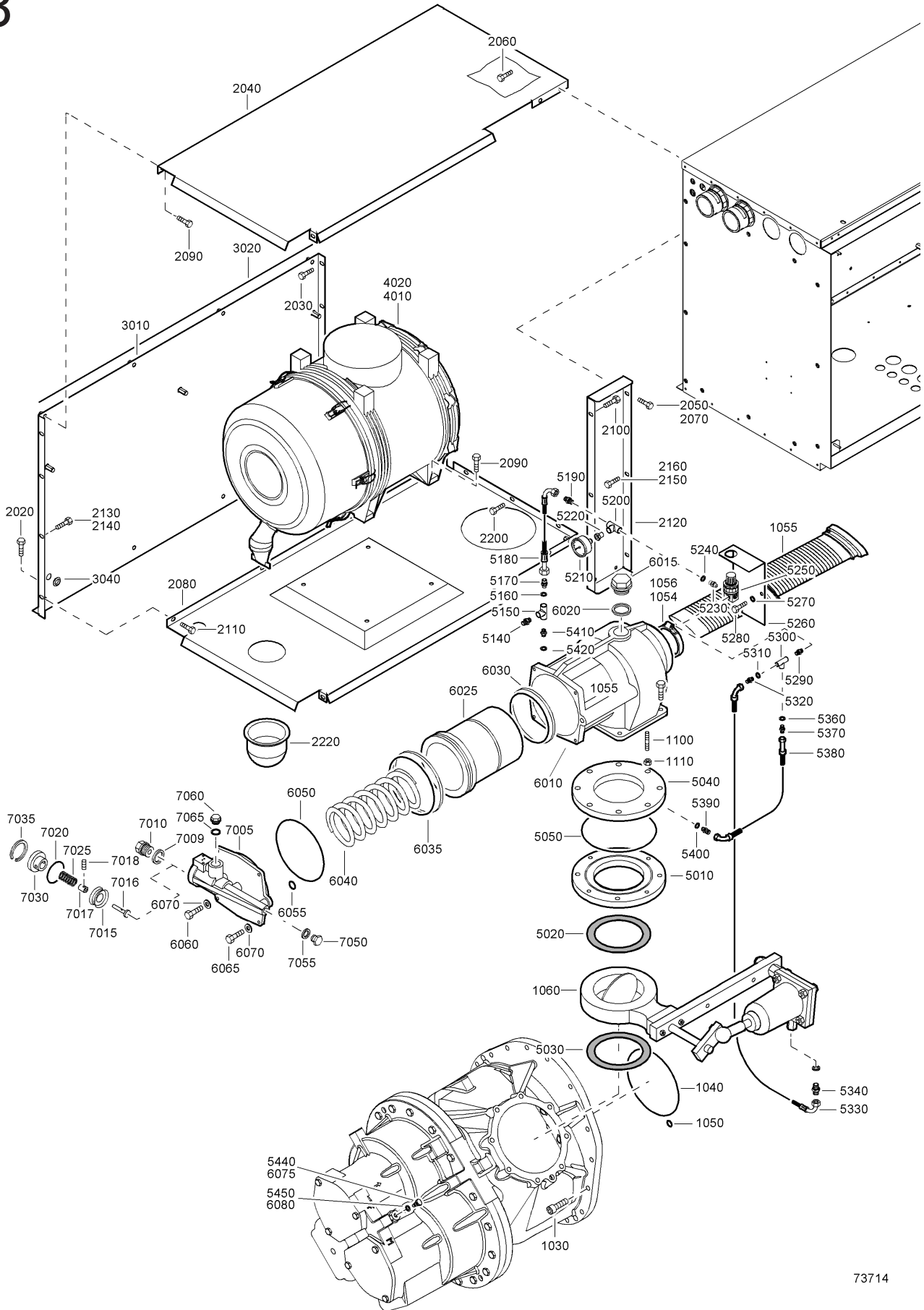


## Air inlet - With modulating control - 5.2 bar(e) to 14 bar(e) - C190

13

Ref.	Partnumber	Qty	Name	Remarks	Ref.	Partnumber	Qty	Name	Remarks
1110	0266 2112 00	7	Nut			<b>1614 9258 80</b>	1	<b>Unloader assembly</b>	
			<b>Filter</b>		6010	1614 9258 00	• 1	Valve housing	
2020	0147 1963 08	5	Hexagon bolt		6015	2250 2528 00	• 1	Plug screw	
2030	1079 1472 05	16	Bolt		6020	0661 1000 31	• 1	Seal washer	
2040	1623 0419 00	1	Baffle		6025	1614 9173 00	• 1	Valve	
2050	0147 1963 08	4	Hexagon bolt		6030	1619 6142 00	• 1	Sealring	
2060	1079 1472 05	3	Bolt		6035	1619 6143 00	• 1	Sealring	
2070	0147 1963 08	2	Hexagon bolt		6040	1614 9282 00	• 1	Spring	
2080	1623 0418 00	1	Baffle		6050	0663 2109 71	• 1	O-ring	
2090	0147 1963 08	4	Hexagon bolt		6055	0663 2109 73	• 2	O-ring	
2100	1079 1472 05	3	Bolt		6060	0147 1326 03	• 2	Bolt	
2110	0147 1963 08	2	Hexagon bolt		6065	0147 1958 97	• 2	Bolt	
2120	1623 0421 00	1	Beam		6070	0301 2335 00	• 4	Washer	
2130	0147 1963 08	2	Hexagon bolt		6075	0686 3716 01	• 1	Plug	
2140	0147 1963 08	2	Hexagon bolt		6080	0653 1062 00	• 1	Flat gasket	
2150	1079 1472 05	3	Bolt			<b>1614 9177 80</b>	• 1	<b>Cover assembly</b>	
2160	1079 1472 05	3	Bolt		7005	1614 9177 00	•• 1	Valve cover	
2200	0147 1360 03	4	Bolt		7009	0661 1000 36	•• 1	Seal washer	
2220	1623 1128 00	1	Cap		7010	1614 9154 00	•• 1	Valve seat	
	<b>1623 0319 80</b>	1	<b>Plate</b>		7015	1621 9133 00	•• 1	Piston	
3010	1623 0319 00	• 1	Baffle		7016	1621 9669 00	•• 1	Pin	
3020	1619 5188 00	• AR	Seal		7017	1621 9670 00	•• 1	Bushing	
3040	0698 0153 00	• 1	Rubber ring		7018	0196 1553 13	•• 1	Set screw	
	<b>1621 7377 80</b>	1	<b>Filter</b>		7020	0663 9868 00	•• 1	O-ring	
4010		• 1	Housing		7025	1614 9156 00	•• 1	Spring	
4020	1621 7376 00	• 1	Filter element		7030	1621 9136 00	•• 1	Cover	
			<b>Air inlet</b>		7035	0335 2150 00	•• 1	Circlips	
5010	1623 3139 01	1	Flange		7050	0686 3716 38	•• 1	Plug	
5020	0650 0101 17	1	Gasket		7055	0653 9078 00	•• 1	Flat gasket	
5030	0650 0101 17	1	Gasket		7060	0686 4201 03	•• 1	Plug	
5040	1614 9254 00	1	Flange		7065	0653 0500 08	•• 1	Flat gasket	
5050	0663 2109 71	1	O-ring					<b>GA 160+</b>	
5140	0603 4101 03	1	Hexagon nipple					<b>10.4bar(e)</b>	
5150	0564 0000 77	1	Tee					<b>10bar(e)</b>	
5160	0653 0500 08	2	Flat gasket					<b>13.8bar(e)</b>	
5170	1079 5840 01	1	Nipple					<b>14bar(e)</b>	
5180	0574 8231 05	1	Hose assembly		1030	0211 1401 03	8	Cap screw	
5190	1614 9476 00	1	Nipple		1040	0663 2103 19	1	O-ring	
5200	0564 0000 78	1	Tee		1050	0663 2108 13	1	O-ring	
5210	9090 1657 00	1	Gauge		1054	0347 6100 49	1	Hose clamp	
5220	0605 8300 35	1	Bushing		1055	1623 5092 00	1	Hose	
5230	1619 5205 00	1	Nipple		1056	0347 6100 47	1	Hose clamp	
5240	0661 1000 25	1	Seal washer		1060	1614 9426 01	1	Throttle valve	
5250	1615 7257 00	1	Regulating valve		1100	0248 9979 27	7	Threaded rod	
5260	1623 3142 00	1	Bracket		1110	0266 2112 00	7	Nut	
5270	0301 2335 00	1	Washer					<b>Filter</b>	
5280	0147 1325 03	1	Bolt		2020	0147 1963 08	5	Hexagon bolt	
5290	1614 9475 00	1	Nipple		2030	1079 1472 05	16	Bolt	
5300	0564 0000 77	1	Tee		2040	1623 0419 00	1	Baffle	
5310	0653 0500 08	1	Flat gasket		2050	0147 1963 08	4	Hexagon bolt	
5320	1079 5840 01	1	Nipple		2060	1079 1472 05	3	Bolt	
5330	0574 8231 26	1	Hose assembly		2070	0147 1963 08	2	Hexagon bolt	
5340	1079 5840 01	1	Nipple		2080	1623 0418 00	1	Baffle	
5360	0653 0500 08	1	Flat gasket		2090	0147 1963 08	4	Hexagon bolt	
5370	1079 5840 01	1	Nipple		2100	1079 1472 05	3	Bolt	
5380	0574 8231 42	1	Hose assembly		2110	0147 1963 08	2	Hexagon bolt	
5390	1614 8266 00	1	Nozzle		2120	1623 0421 00	1	Beam	
5400	0661 1000 24	1	Seal washer		2130	0147 1963 08	2	Hexagon bolt	
5410	1079 5840 29	1	Hexagon nipple		2140	0147 1963 08	2	Hexagon bolt	
5420	0661 1000 29	1	Seal washer		2150	1079 1472 05	3	Bolt	
5440	0686 3716 01	1	Plug		2160	1079 1472 05	3	Bolt	
5450	0661 1000 25	1	Seal washer		2200	0147 1360 03	4	Bolt	

# 13



73714

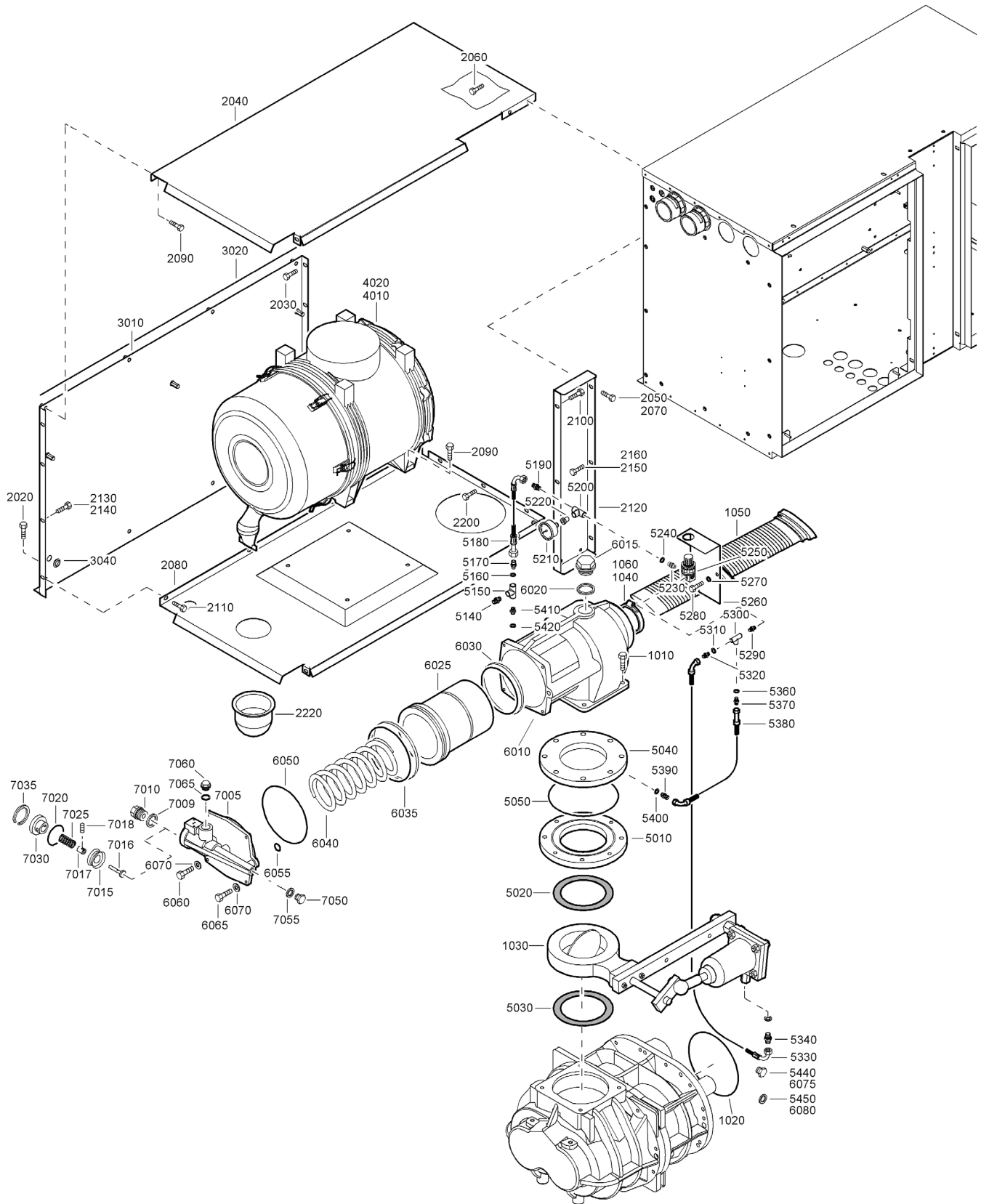
73714

## Air inlet - With modulating control - 5.2 bar(e) to 14 bar(e) - C190

13

Ref.	Partnumber	Qty	Name	Remarks	Ref.	Partnumber	Qty	Name	Remarks
2220	1623 1128 00	1	Cap		5380	0574 8231 42	1	Hose assembly	
	<b>1623 0319 80</b>	<b>1</b>	<b>Plate</b>		5390	1614 8266 00	1	Nozzle	
3010		• 1	Baffle		5400	0661 1000 24	1	Seal washer	
3020	1619 5188 00	• AR	Seal		5410	1079 5840 29	1	Hexagon nipple	
3040	0698 0153 00	• 1	Rubber ring		5420	0661 1000 29	1	Seal washer	
	<b>1621 7377 80</b>	<b>1</b>	<b>Filter</b>		5440	0686 3716 01	1	Plug	
4010		• 1	Housing		5450	0661 1000 25	1	Seal washer	
4020	1621 7376 00	• 1	Filter element			<b>1614 9258 80</b>	<b>1</b>	<b>Unloader assembly</b>	
			<b>Air inlet</b>		6010		• 1	Valve housing	
5010	1623 3139 01	1	Flange		6015	2250 2528 00	• 1	Plug screw	
5020	0650 0101 17	1	Gasket		6020	0661 1000 31	• 1	Seal washer	
5030	0650 0101 17	1	Gasket		6025	1614 9173 00	• 1	Valve	
5040	1614 9254 00	1	Flange		6030	1619 6142 00	• 1	Sealring	
5050	0663 2109 71	1	O-ring		6035	1619 6143 00	• 1	Sealring	
5140	0603 4101 03	1	Hexagon nipple		6040	1614 9282 00	• 1	Spring	
5150	0564 0000 77	1	Tee		6050	0663 2109 71	• 1	O-ring	
5160	0653 0500 08	2	Flat gasket		6055	0663 2109 73	• 2	O-ring	
5170	1079 5840 01	1	Nipple		6060	0147 1326 03	• 2	Bolt	
5180	0574 8231 05	1	Hose assembly		6065	0147 1958 97	• 2	Bolt	
5190	1614 9476 00	1	Nipple		6070	0301 2335 00	• 4	Washer	
5200	0564 0000 78	1	Tee		6075	0686 3716 01	• 1	Plug	
5210	9090 1657 00	1	Gauge		6080	0653 1062 00	• 1	Flat gasket	
5220	0605 8300 35	1	Bushing			<b>1614 9177 80</b>	<b>• 1</b>	<b>Cover assembly</b>	
5230	1619 5205 00	1	Nipple		7005		•• 1	Valve cover	
5240	0661 1000 25	1	Seal washer		7009	0661 1000 36	•• 1	Seal washer	
5250	1615 7257 00	1	Regulating valve		7015	1621 9133 00	•• 1	Piston	
5260	1623 3142 00	1	Bracket		7016	1621 9669 00	•• 1	Pin	
5270	0301 2335 00	1	Washer		7017	1621 9670 00	•• 1	Bushing	
5280	0147 1325 03	1	Bolt		7018	0196 1553 13	•• 1	Set screw	
5290	1614 9475 00	1	Nipple		7020	0663 9868 00	•• 1	O-ring	
5300	0564 0000 77	1	Tee		7025	1614 9156 00	•• 1	Spring	
5310	0653 0500 08	1	Flat gasket		7030	1621 9136 00	•• 1	Cover	
5320	1079 5840 01	1	Nipple		7035	0335 2150 00	•• 1	Circlips	
5330	0574 8231 26	1	Hose assembly		7050	0686 3716 38	•• 1	Plug	
5340	1079 5840 01	1	Nipple		7055	0653 9078 00	•• 1	Flat gasket	
5360	0653 0500 08	1	Flat gasket		7060	0686 4201 03	•• 1	Plug	
5370	1079 5840 01	1	Nipple		7065	0653 0500 08	•• 1	Flat gasket	

# 14



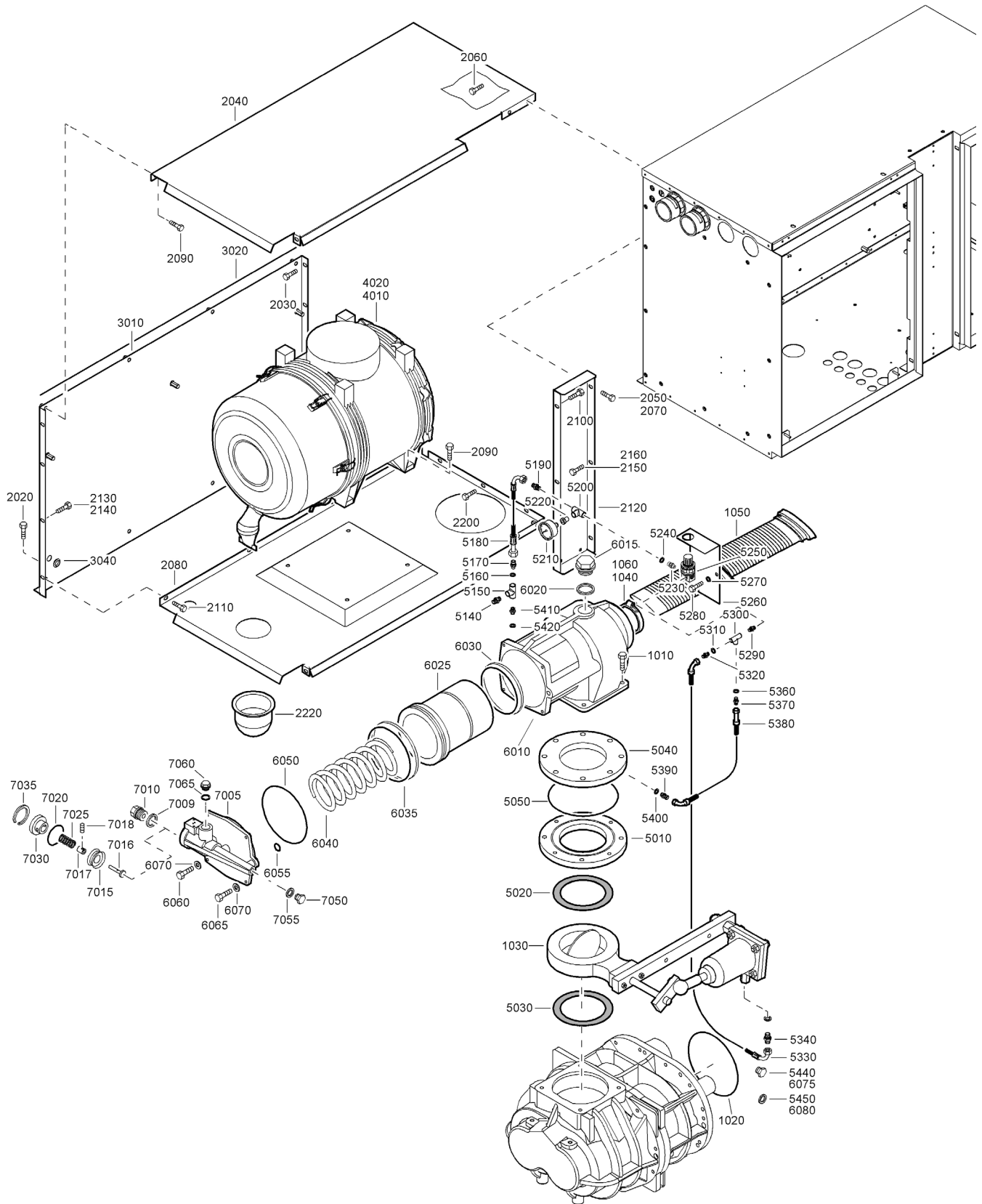
73715

## Air inlet - With modulating control - 10 bar(e) to 14 bar(e) - C146

14

Ref.	Partnumber	Qty	Name	Remarks	Ref.	Partnumber	Qty	Name	Remarks
			<b>GA 90+</b>		5360	0653 0500 08	1	Flat gasket	
			<b>GA 110</b>		5370	1079 5840 01	1	Nipple	
			<b>GA 110+</b>		5380	0574 8231 42	1	Hose assembly	
			<b>10 bar(e)</b>		5390	1614 8266 00	1	Nozzle	
			<b>10.4 bar(e)</b>		5400	0661 1000 24	1	Seal washer	
			<b>13.8 bar(e)</b>		5410	1079 5840 29	1	Hexagon nipple	
			<b>14 bar(e)</b>		5420	0661 1000 29	1	Seal washer	
1010	0147 1380 03	4	Bolt		5440	0686 3716 01	1	Plug	
1020	0663 2107 37	1	O-ring		5450	0661 1000 25	1	Seal washer	
1030	1614 9426 00	1	Throttle valve			<b>1614 9258 80</b>	1	<b>Unloader assembly</b>	
1040	0347 6100 49	1	Hose clamp		6010		• 1	Valve housing	
1050	1623 2662 00	1	Hose		6015	2250 2528 00	• 1	Plug screw	
1060	0347 6100 47	1	Hose clamp		6020	0661 1000 31	• 1	Seal washer	
		<b>1</b>	<b>Filter</b>		6025	1614 9173 00	• 1	Valve	
2020	0147 1963 08	5	Hexagon bolt		6030	1619 6142 00	• 1	Sealring	
2030	1079 1472 05	16	Bolt		6035	1619 6143 00	• 1	Sealring	
2040	1623 0419 00	1	Baffle		6040	1614 9282 00	• 1	Spring	
2050	0147 1963 08	4	Hexagon bolt		6050	0663 2109 71	• 1	O-ring	
2060	1079 1472 05	3	Bolt		6055	0663 2109 73	• 2	O-ring	
2070	0147 1963 08	2	Hexagon bolt		6060	0147 1326 03	• 2	Bolt	
2080	1623 0418 00	1	Baffle		6065	0147 1958 97	• 2	Bolt	
2090	0147 1963 08	4	Hexagon bolt		6070	0301 2335 00	• 4	Washer	
2100	1079 1472 05	3	Bolt		6075	0686 3716 01	• 1	Plug	
2110	0147 1963 08	2	Hexagon bolt		6080	0653 1062 00	• 1	Flat gasket	
2120	1623 0421 00	1	Beam			<b>1614 9177 80</b>	• 1	<b>Cover assembly</b>	
2130	0147 1963 08	2	Hexagon bolt		7005	1614 9177 00	•• 1	Valve cover	
2140	0147 1963 08	2	Hexagon bolt		7009	0661 1000 36	•• 1	Seal washer	
2150	1079 1472 05	3	Bolt		7010	1614 9154 00	•• 1	Valve seat	
2160	1079 1472 05	3	Bolt		7015	1621 9133 00	•• 1	Piston	
2200	0147 1360 03	4	Bolt		7016	1621 9669 00	•• 1	Pin	
2220	1623 1128 00	1	Cap		7017	1621 9670 00	•• 1	Bushing	
	<b>1623 0319 80</b>	<b>1</b>	<b>Plate</b>		7018	0196 1553 13	•• 1	Set screw	
3010		• 1	Baffle		7020	0663 9868 00	•• 1	O-ring	
3020	1619 5188 00	• AR	Seal		7025	1614 9156 00	•• 1	Spring	
3040	0698 0153 00	• 1	Rubber ring		7030	1621 9136 00	•• 1	Cover	
	<b>1621 7377 80</b>	<b>1</b>	<b>Filter</b>		7035	0335 2150 00	•• 1	Circlips	
4010		• 1	Housing		7050	0686 3716 38	•• 1	Plug	
4020		• 1	Filter element		7055	0653 9078 00	•• 1	Flat gasket	
			<b>Air inlet</b>		7060	0686 4201 03	•• 1	Plug	
5010	1623 3139 01	1	Flange		7065	0653 0500 08	•• 1	Flat gasket	
5020	0650 0101 17	1	Gasket					<b>GA 132</b>	
5030	0650 0101 17	1	Gasket					<b>GA 132+</b>	
5040	1614 9254 00	1	Flange					<b>13.8bar(e)</b>	
5050	0663 2109 71	1	O-ring					<b>14bar(e)</b>	
5140	0603 4101 03	1	Hexagon nipple		1010	0147 1380 03	4	Bolt	
5150	0564 0000 77	1	Tee		1020	0663 2107 37	1	O-ring	
5160	0653 0500 08	2	Flat gasket		1030	1614 9426 01	1	Throttle valve	
5170	1079 5840 01	1	Nipple		1040	0347 6100 49	1	Hose clamp	
5180	0574 8231 05	1	Hose assembly		1050	1623 2662 00	1	Hose	
5190	1614 9476 00	1	Nipple		1060	0347 6100 47	1	Hose clamp	
5200	0564 0000 78	1	Tee					<b>Filter</b>	
5210	9090 1657 00	1	Gauge		2020	0147 1963 08	5	Hexagon bolt	
5220	0605 8300 35	1	Bushing		2030	1079 1472 05	16	Bolt	
5230	1619 5205 00	1	Nipple		2040	1623 0419 00	1	Baffle	
5240	0661 1000 25	1	Seal washer		2050	0147 1963 08	4	Hexagon bolt	
5250	1615 7257 00	1	Regulating valve		2060	1079 1472 05	3	Bolt	
5260	1623 3142 00	1	Bracket		2070	0147 1963 08	2	Hexagon bolt	
5270	0301 2335 00	1	Washer		2080	1623 0418 00	1	Baffle	
5280	0147 1325 03	1	Bolt		2090	0147 1963 08	4	Hexagon bolt	
5290	1614 9475 00	1	Nipple		2100	1079 1472 05	3	Bolt	
5300	0564 0000 77	1	Tee		2110	0147 1963 08	2	Hexagon bolt	
5310	0653 0500 08	1	Flat gasket		2120	1623 0421 00	1	Beam	
5320	1079 5840 01	1	Nipple		2130	0147 1963 08	2	Hexagon bolt	
5330	0574 8231 26	1	Hose assembly		2140	0147 1963 08	2	Hexagon bolt	
5340	1079 5840 01	1	Nipple		2150	1079 1472 05	3	Bolt	

# 14

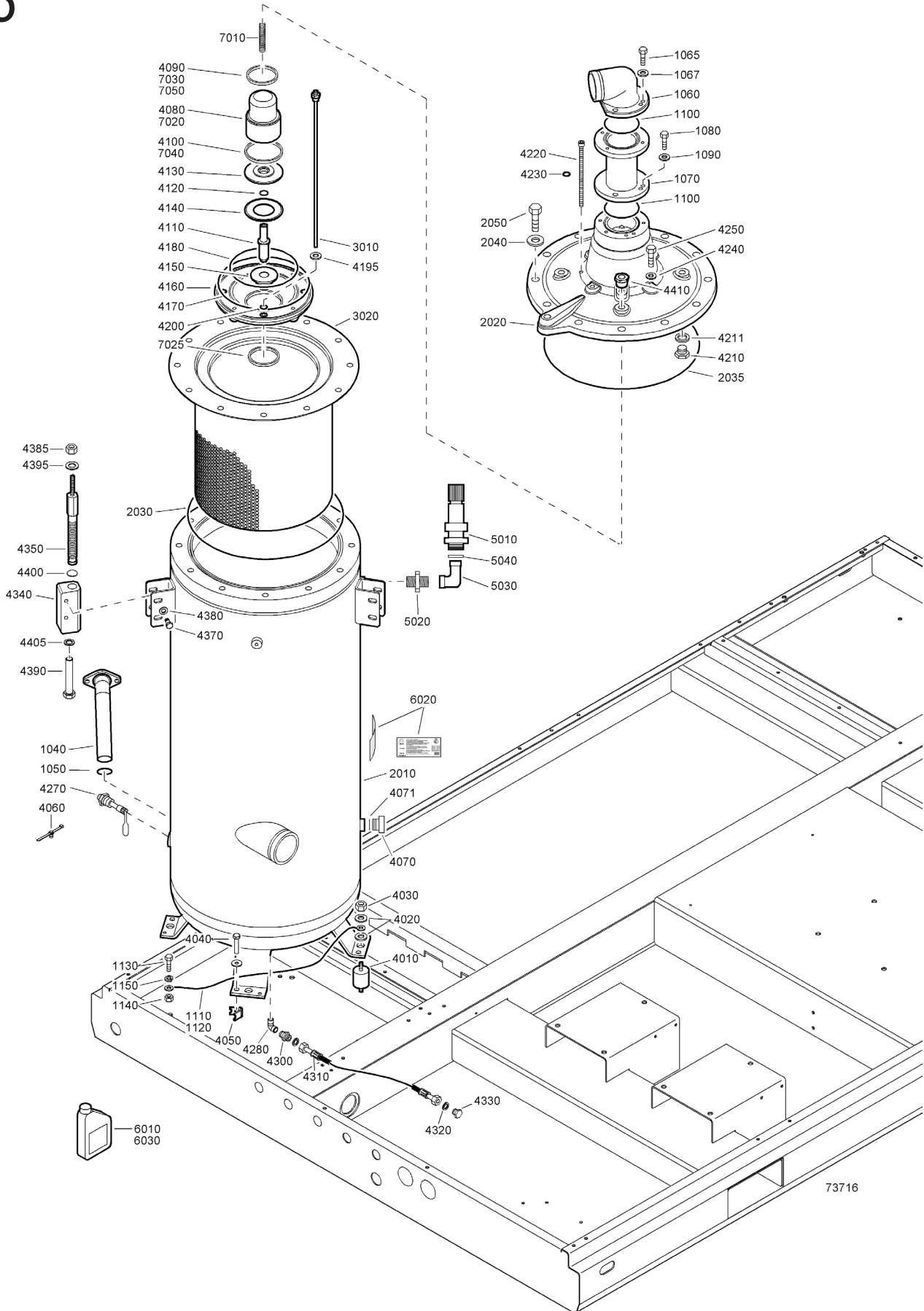


73715

## Air inlet - With modulating control - 10 bar(e) to 14 bar(e) - C146

Ref.	Part number	Qty	Name	Remarks	Ref.	Part number	Qty	Name	Remarks
2160	1079 1472 05	3	Bolt		5380	0574 8231 42	1	Hose assembly	
2200	0147 1360 03	4	Bolt		5390	1614 8266 00	1	Nozzle	
2220	1623 1128 00	1	Cap		5400	0661 1000 24	1	Seal washer	
	<b>1623 0319 80</b>	<b>1</b>	<b>Plate</b>		5410	1079 5840 29	1	Hexagon nipple	
3010		• 1	Baffle		5420	0661 1000 29	1	Seal washer	
3020	1619 5188 00	• AR	Seal		5440	0686 3716 01	1	Plug	
3040	0698 0153 00	• 1	Rubber ring		5450	0661 1000 25	1	Seal washer	
	<b>1621 7377 80</b>	<b>1</b>	<b>Filter</b>			<b>1614 9258 80</b>	<b>1</b>	<b>Unloader assembly</b>	
4010		• 1	Housing		6010		• 1	Valve housing	
4020	1621 7376 00	• 1	Filter element		6015	2250 2528 00	• 1	Plug screw	
			<b>Air inlet</b>		6020	0661 1000 31	• 1	Seal washer	
5010	1623 3139 01	1	Flange		6025	1614 9173 00	• 1	Valve	
5020	0650 0101 17	1	Gasket		6030	1619 6142 00	• 1	Sealring	
5030	0650 0101 17	1	Gasket		6035	1619 6143 00	• 1	Sealring	
5040	1614 9254 00	1	Flange		6040	1614 9282 00	• 1	Spring	
5050	0663 2109 71	1	O-ring		6050	0663 2109 71	• 1	O-ring	
5140	0603 4101 03	1	Hexagon nipple		6055	0663 2109 73	• 2	O-ring	
5150	0564 0000 77	1	Tee		6060	0147 1326 03	• 2	Bolt	
5160	0653 0500 08	2	Flat gasket		6065	0147 1958 97	• 2	Bolt	
5170	1079 5840 01	1	Nipple		6070	0301 2335 00	• 4	Washer	
5180	0574 8231 05	1	Hose assembly		6075	0686 3716 01	• 1	Plug	
5190	1614 9476 00	1	Nipple		6080	0653 1062 00	• 1	Flat gasket	
5200	0564 0000 78	1	Tee			<b>1614 9177 80</b>	<b>• 1</b>	<b>Cover assembly</b>	
5210	9090 1657 00	1	Gauge		7005		•• 1	Valve cover	
5220	0605 8300 35	1	Bushing		7009	0661 1000 36	•• 1	Seal washer	
5230	1619 5205 00	1	Nipple		7010	1614 9154 00	•• 1	Valve seat	
5240	0661 1000 25	1	Seal washer		7015	1621 9133 00	•• 1	Piston	
5250	1615 7257 00	1	Regulating valve		7016	1621 9669 00	•• 1	Pin	
5260	1623 3142 00	1	Bracket		7017	1621 9670 00	•• 1	Bushing	
5270	0301 2335 00	1	Washer		7018	0196 1553 13	•• 1	Set screw	
5280	0147 1325 03	1	Bolt		7020	0663 9868 00	•• 1	O-ring	
5290	1614 9475 00	1	Nipple		7025	1614 9156 00	•• 1	Spring	
5300	0564 0000 77	1	Tee		7030	1621 9136 00	•• 1	Cover	
5310	0653 0500 08	1	Flat gasket		7035	0335 2150 00	•• 1	Circlips	
5320	1079 5840 01	1	Nipple		7050	0686 3716 38	•• 1	Plug	
5330	0574 8231 26	1	Hose assembly		7055	0653 9078 00	•• 1	Flat gasket	
5340	1079 5840 01	1	Nipple		7060	0686 4201 03	•• 1	Plug	
5360	0653 0500 08	1	Flat gasket		7065	0653 0500 08	•• 1	Flat gasket	
5370	1079 5840 01	1	Nipple						

# 15

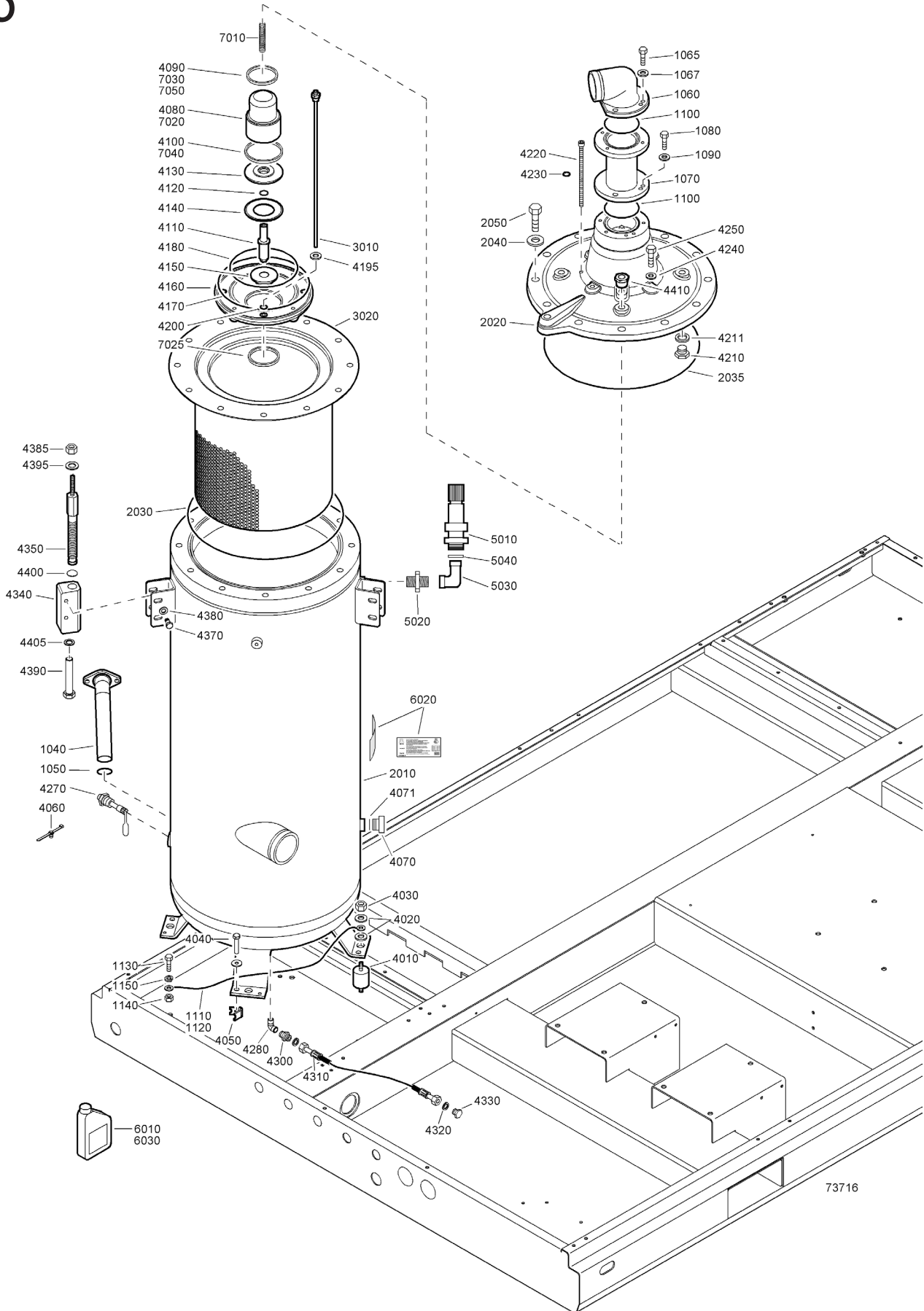




## Air receiver

Ref.	Partnumber	Qty	Name	Remarks	Ref.	Partnumber	Qty	Name	Remarks
			<b>GA 132+</b>		4300	1079 5840 29	1	Hexagon nipple	
			<b>5.2 bar(e)</b>		4310	0575 0056 35	1	Flexible	
			<b>5.5 bar(e)</b>		4320	0661 1000 29	1	Seal washer	
			<b>GA 160</b>		4330	1614 9252 00	1	Plug	
			<b>6.9 bar(e)</b>		4340	1623 6821 00	1	Bushing	
			<b>7.5 bar(e)</b>		4350	1623 6822 00	1	Screw	
1040	1623 1226 00	1	Pipe		4370	0147 1400 03	4	Bolt	
1050	0663 2109 68	1	O-ring		4380	0301 2358 00	4	Washer	
1060	1623 0492 00	1	Pipe		4385	0266 2116 00	1	Nut	
1080	0147 1363 03	4	Bolt		4390	0147 1564 12	1	Bolt	
1090	0301 2344 00	4	Washer		4395	0300 0274 13	1	Washer	
1100	0663 2106 17	1	O-ring		4400	1623 6844 00	1	Washer	
1110	0017 2071 00	5	Cable		4405	0515 8000 12	1	Cage	
1120	1088 0010 25	2	Cable lug		4410	0605 8514 07	1	Bushing	
1130	0147 1360 03	1	Bolt					<b>GA 90+</b>	
1140	0266 2111 00	1	Nut					<b>5.2 bar(e)</b>	
1150	0333 3232 00	1	Lock washer					<b>5.5 bar(e)</b>	
1155	0333 3232 00	1	Lock washer					<b>6.9 bar(e)</b>	
	<b>1623 0279 82</b>	<b>1</b>	<b>Receiver air</b>	1)				<b>7.5 bar(e)</b>	
2010	1623 0279 02	• 1	Vessel	2)				<b>GA 110</b>	
2030	0663 2107 36	• 1	O-ring					<b>6.9 bar(e)</b>	
2035	0663 2107 36	• 1	O-ring					<b>7.5 bar(e)</b>	
2040	0300 0274 13	• 12	Washer					<b>8.5 bar(e)</b>	
2050	0147 1964 85	• 12	Bolt					<b>8.6 bar(e)</b>	
	<b>1623 0279 85</b>	<b>1</b>	<b>Receiver air</b>	1)				<b>GA 110+</b>	
2010	1623 0279 05	• 1	Vessel	2)				<b>6.9 bar(e) only HAT</b>	
2030	0663 2107 36	• 1	O-ring					<b>7.5 bar(e)</b>	
2035	0663 2107 36	• 1	O-ring					<b>8.5 bar(e)</b>	
2040	0300 0274 13	• 12	Washer					<b>8.6 bar(e)</b>	
2050	0147 1964 85	• 12	Bolt					<b>GA 132</b>	
	<b>1623 0279 88</b>	<b>1</b>	<b>Receiver air</b>	1)				<b>6.9 bar(e)</b>	
2010	1623 0279 08	• 1	Vessel	2)				<b>7.5 bar(e)</b>	
2020	1623 0027 08	• 1	Cover					<b>8.5 bar(e) excl. HAT</b>	
2030	0663 2107 36	• 1	O-ring					<b>8.6 bar(e)</b>	
2035	0663 2107 36	• 1	O-ring					<b>GA 132+</b>	
2040	0300 0274 13	• 12	Washer					<b>6.9 bar(e) excl. HAT</b>	
2050	0147 1964 85	• 12	Bolt					<b>7.5 bar(e) excl. HAT</b>	
3010	1623 0519 00	1	Pipe suction					<b>8.6 bar(e) only HAT</b>	
3020	1623 0514 99	1	Filter elem.					<b>GA 160</b>	
		<b>1</b>	<b>Air receiver</b>					<b>8.5 bar(e)</b>	
4010	1623 5777 00	4	Buffer					<b>8.6 bar(e) excl. HAT</b>	
4020	0300 0274 17	8	Washer					<b>10 bar(e) excl. HAT</b>	
4030	0266 2111 00	4	Nut					<b>GA 160+</b>	
4040	0147 1406 03	4	Bolt					<b>10 bar(e) excl. HAT</b>	
4050	1623 0839 00	4	Spacer		1040	1623 1226 00	1	Pipe	
4060	0348 0101 12	4	Cable tie		1050	0663 2109 68	1	O-ring	
4070	0686 3716 02	2	Plug		1060	1623 0492 00	1	Pipe	
4071	0661 1000 27	2	Seal washer		1065	0147 1364 03	4	Bolt	
4110	1623 0345 00	1	Shaft		1067	0301 2344 00	4	Washer	
4130	1621 4326 00	1	Ring		1070	1623 0663 00	1	Pipe	
4140	1614 7279 00	1	Washer		1080	0147 1363 03	8	Bolt	
4150	1623 0344 00	1	Nut		1090	0301 2344 00	8	Washer	
4160	1623 0028 00	1	Insert		1100	0663 2106 17	2	O-ring	
4170	0663 2103 22	1	O-ring		1110	0017 2071 00	AR	Cable	
4180	0663 2109 49	1	O-ring		1120	1088 0010 25	2	Cable lug	
4195	0661 1000 26	1	Seal washer		1130	0147 1360 03	1	Bolt	
4200	0663 7126 00	1	O-ring		1140	0266 2111 00	1	Nut	
4210	0686 3716 02	2	Plug		1150	0333 3232 00	2	Lock washer	
4211	0661 1000 27	2	Seal washer		1155	0333 3232 00	1	Lock washer	
4220	0211 1102 16	2	Screw					<b>1623 0412 82</b>	
4230	0663 7126 00	2	O-ring		2010	1623 0412 02	• 1	Vessel	1)
4240	0301 2358 00	4	Washer		2020	1623 0027 02	• 1	Cover	2)
4250	0147 1406 03	4	Bolt		2030	0663 2107 36	• 1	O-ring	
4270	1614 9184 00	1	Level gauge		2035	0663 2107 36	• 1	O-ring	
4280	0560 0200 74	1	Elbow		2040	0300 0274 13	• 12	Washer	

# 15

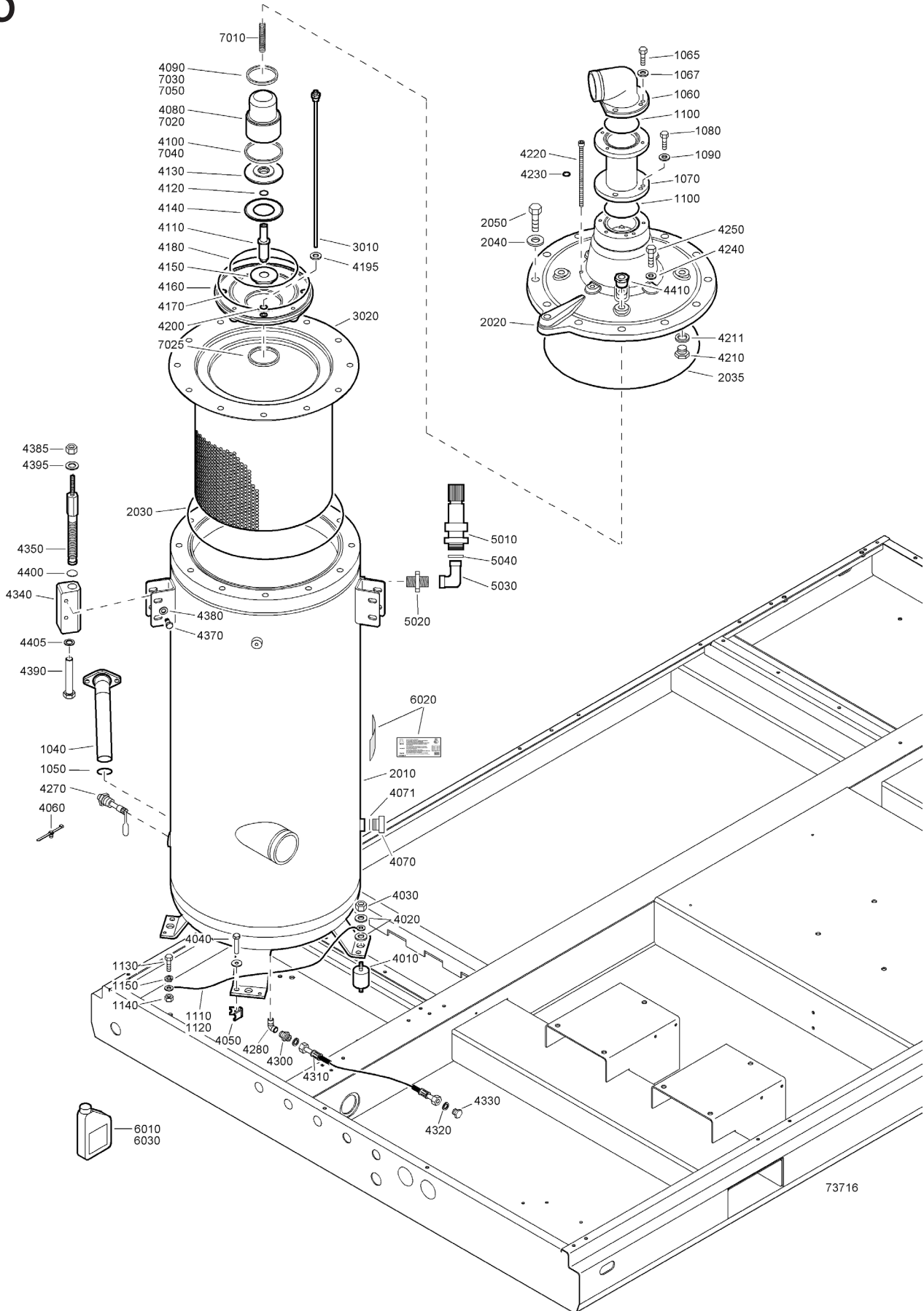


## Air receiver

15

Ref.	Part number	Qty	Name	Remarks	Ref.	Part number	Qty	Name	Remarks
2050	0147 1964 85	• 12	Bolt					10.4 bar(e)	
	<b>1623 0412 85</b>	• 1	<b>Receiver air</b>	1)				13.8 bar(e)	
2010	1623 0412 05	• 1	Vessel	2)				14 bar(e)	
2020	1623 0027 05	• 1	Cover					GA 110	
2030	0663 2107 36	• 1	O-ring					10 bar(e)	
2035	0663 2107 36	• 1	O-ring					10.4 bar(e)	
2040	0300 0274 13	• 12	Washer					GA 110+	
2050	0147 1964 85	• 12	Bolt					10 bar(e)	
	<b>1623 0412 88</b>	• 1	<b>Receiver air</b>	1)				10.4 bar(e)	
2010	1623 0412 08	• 1	Vessel	2)				13.8 bar(e)	
2020	1623 0027 08	• 1	Cover					14 bar(e)	
2030	0663 2107 36	• 1	O-ring					GA 132	
2035	0663 2107 36	• 1	O-ring					10 bar(e) only HAT	
2040	0300 0274 13	• 12	Washer					10.4 bar(e)	
2050	0147 1964 85	• 12	Bolt					GA 132+	
3010	1623 0518 00	1	Pipe suction					10 bar(e)	
3020	1623 0515 99	1	Filter elem.					10.4 bar(e)	
	<b>1</b>		<b>Air receiver</b>					13.8 bar(e)	
4010	1623 5777 00	• 4	Buffer					14 bar(e)	
4020	0300 0274 17	• 8	Washer					GA 160+	
4030	0266 2111 00	• 4	Nut					13.8 bar(e)	
4040	0147 1406 03	• 4	Bolt					14 bar(e)	
4050	1623 0839 00	• 4	Spacer		1040	1623 1226 00	1	Pipe	
4060	0348 0101 12	• 4	Cable tie		1050	0663 2109 68	1	O-ring	
4070	0686 3716 02	• 2	Plug		1060	1623 0492 00	1	Pipe	
4071	0661 1000 27	• 2	Seal washer		1065	0147 1364 03	4	Bolt	
4080	1623 4457 01	• 1	Valve press		1067	0301 2344 00	4	Washer	
4090	0665 0800 78	• 1	Seal		1070	1623 0836 00	1	Pipe	
4100	0665 0800 79	• 1	Seal		1080	0147 1363 03	4	Bolt	
4110	1623 0345 00	• 1	Shaft		1090	0301 2344 00	4	Washer	
4120	0663 2114 70	• 1	O-ring		1100	0663 2106 17	2	O-ring	
4130	1621 4326 00	• 1	Ring		1110	0017 2071 00	AR	Cable	
4140	1614 7279 00	• 1	Washer		1120	1088 0010 25	2	Cable lug	
4150	1623 0344 00	• 1	Nut		1130	0147 1360 03	1	Bolt	
4160	1623 0028 00	• 1	Insert		1140	0266 2111 00	1	Nut	
4170	0663 2103 22	• 1	O-ring		1150	0333 3232 00	2	Lock washer	
4180	0663 2109 49	• 1	O-ring		1155	0333 3232 00	1	Lock washer	
4195	0661 1000 26	• 1	Seal washer			<b>1623 0489 82</b>	• 1	<b>Receiver air</b>	1)
4200	0663 7126 00	• 1	O-ring		2010	1623 0489 02	• 1	Vessel	2)
4210	0686 3716 02	• 2	Plug		2020	1623 0027 02	• 1	Cover	
4211	0661 1000 27	• 2	Seal washer		2030	0663 2107 36	• 1	O-ring	
4220	0211 1102 16	• 2	Screw		2035	0663 2107 36	• 1	O-ring	
4230	0663 7126 00	• 2	O-ring		2040	0300 0274 13	• 12	Washer	
4240	0301 2358 00	• 4	Washer		2050	0147 1964 85	• 12	Bolt	
4250	0147 1406 03	• 4	Bolt			<b>1623 0489 85</b>	• 1	<b>Receiver air</b>	1)
4270	1614 9184 00	• 1	Level gauge		2010	1623 0489 05	• 1	Vessel	2)
4280	0560 0200 74	• 1	Elbow		2020	1623 0027 05	• 1	Cover	
4300	1079 5840 29	• 1	Hexagon nipple		2030	0663 2107 36	• 1	O-ring	
4310	0575 0056 35	• 1	Flexible		2035	0663 2107 36	• 1	O-ring	
4320	0661 1000 29	• 1	Seal washer		2040	0300 0274 13	• 12	Washer	
4330	1614 9252 00	• 1	Plug		2050	0147 1964 85	• 12	Bolt	
4340	1623 6821 00	• 1	Bushing			<b>1623 0489 88</b>	• 1	<b>Receiver air</b>	1)
4350	1623 0545 00	• 1	Screw		2010	1623 0489 08	• 1	Vessel	2)
4370	0147 1400 03	• 4	Bolt		2020	1623 0027 08	• 1	Cover	
4380	0301 2358 00	• 4	Washer		2030	0663 2107 36	• 1	O-ring	
4385	0266 2116 00	• 1	Nut		2035	0663 2107 36	• 1	O-ring	
4390	0147 1564 12	• 1	Bolt		2040	0300 0274 13	• 12	Washer	
4395	0300 0274 13	• 1	Washer		2050	0147 1964 85	• 12	Bolt	
4400	1623 6844 00	• 1	Washer		3010	1623 0517 00	1	Pipe suction	
4405	0515 8000 12	• 1	Cage		3020	1623 0516 99	1	Filter elem.	
4410	0605 8514 07	• 1	Bushing			<b>1</b>		<b>Air receiver</b>	
			<b>GA 90+</b>		4010	1623 5777 00	4	Buffer	
			<b>8.5 bar(e)</b>		4020	0300 0274 17	8	Washer	
			<b>8.6 bar(e)</b>		4030	0266 2111 00	4	Nut	
			<b>10 bar(e)</b>		4040	0147 1406 03	4	Bolt	

# 15

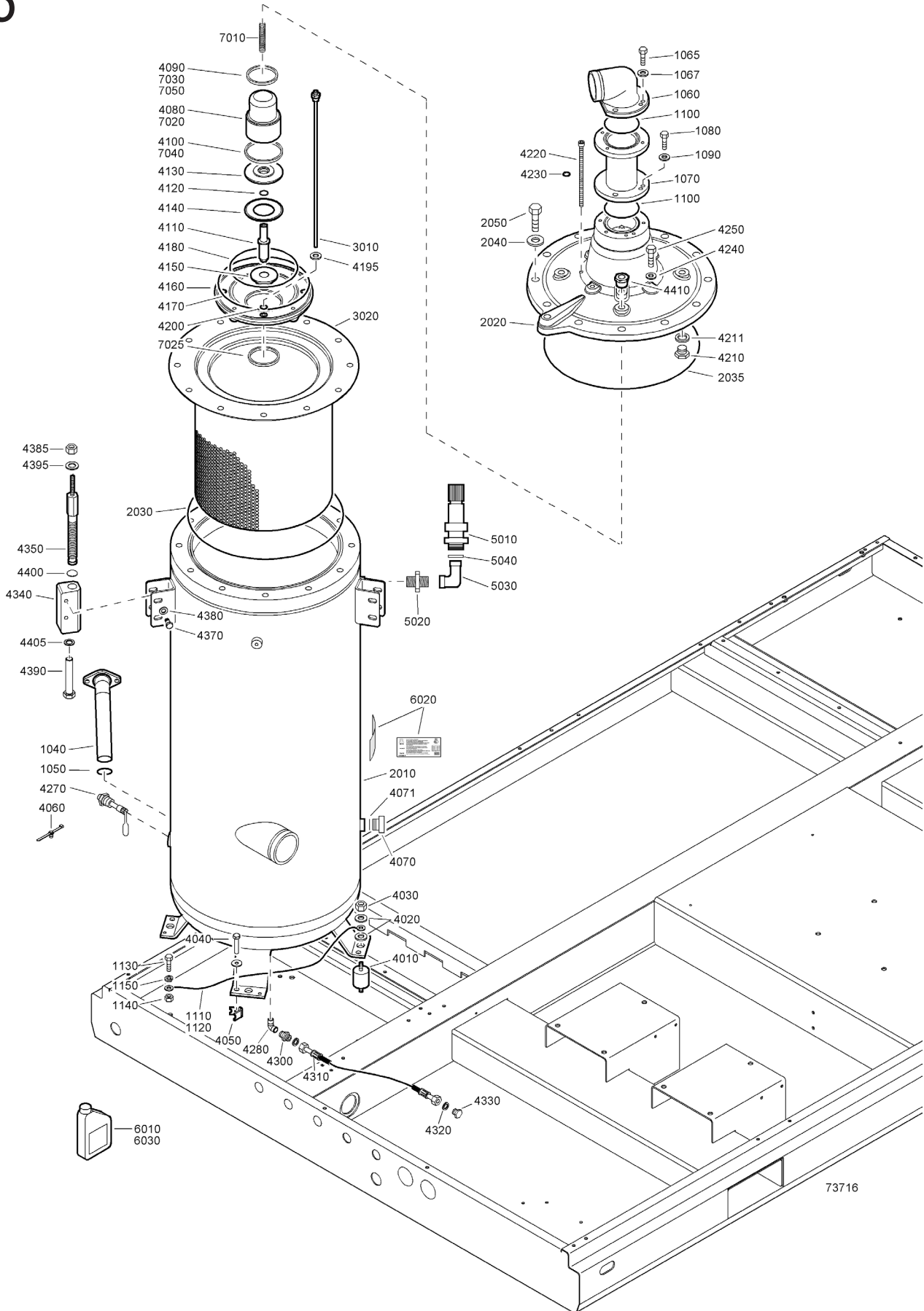


## Air receiver

15

Ref.	Partnumber	Qty	Name	Remarks	Ref.	Partnumber	Qty	Name	Remarks
4050	1623 0839 00	4	Spacer		1110	0017 2071 00	AR	Cable	
4060	0348 0101 12	4	Cable tie		1120	1088 0010 25	2	Cable lug	
4070	0686 3716 02	2	Plug		1130	0147 1360 03	1	Bolt	
4071	0661 1000 27	2	Seal washer		1140	0266 2111 00	1	Nut	
4080	1623 4457 01	1	Valve press		1150	0333 3232 00	1	Lock washer	
4090	0665 0800 78	1	Seal		1155	0333 3232 00	1	Lock washer	
4100	0665 0800 79	1	Seal			<b>1623 1765 82</b>	<b>1</b>	<b>Receiver air</b>	1)
4110	1623 0345 00	1	Shaft		2010	1623 1765 02	• 1	Vessel	2)
4120	0663 2114 70	1	O-ring		2020	1623 0027 02	• 1	Cover	
4130	1621 4326 00	1	Ring		2030	0663 2107 36	• 1	O-ring	
4140	1614 7279 00	1	Washer		2035	0663 2107 36	• 1	O-ring	
4150	1623 0344 00	1	Nut		2040	0300 0274 13	• 12	Washer	
4160	1623 0028 00	1	Insert		2050	0147 1964 85	• 12	Bolt	
4170	0663 2103 22	1	O-ring			<b>1623 1765 85</b>	<b>1</b>	<b>Receiver air</b>	1)
4180	0663 2109 49	1	O-ring		2010	1623 1765 05	• 1	Vessel	2)
4195	0661 1000 26	1	Seal washer		2020	1623 0027 05	• 1	Cover	
4200	0663 7126 00	1	O-ring		2030	0663 2107 36	• 1	O-ring	
4210	0686 3716 02	2	Plug		2035	0663 2107 36	• 1	O-ring	
4211	0661 1000 27	2	Seal washer		2040	0300 0274 13	• 12	Washer	
4220	0211 1102 16	2	Screw		2050	0147 1964 85	• 12	Bolt	
4230	0663 7126 00	2	O-ring			<b>1623 1765 88</b>	<b>1</b>	<b>Receiver air</b>	1)
4240	0301 2358 00	4	Washer		2010	1623 1765 08	• 1	Vessel	2)
4250	0147 1406 03	4	Bolt		2020	1623 0027 08	• 1	Cover	
4270	1614 9184 00	1	Level gauge		2030	0663 2107 36	• 1	O-ring	
4280	0560 0200 74	1	Elbow		2035	0663 2107 36	• 1	O-ring	
4300	1079 5840 29	1	Hexagon nipple		2040	0300 0274 13	• 12	Washer	
4310	0575 0056 35	1	Flexible		2050	0147 1964 85	• 12	Bolt	
4320	0661 1000 29	1	Seal washer		3010	1623 0518 00	1	Pipe suction	
4330	1614 9252 00	1	Plug		3020	1623 0515 99	1	Filter elem.	
4340	1623 6821 00	1	Bushing				<b>1</b>	<b>Air receiver</b>	
4350	1623 6822 00	1	Screw		4010	1623 5777 00	4	Buffer	
4370	0147 1400 03	4	Bolt		4020	0300 0274 17	8	Washer	
4380	0301 2358 00	4	Washer		4030	0266 2111 00	4	Nut	
4385	0266 2116 00	1	Nut		4040	0147 1406 03	4	Bolt	
4390	0147 1564 12	1	Bolt		4050	1623 0839 00	4	Spacer	
4395	0300 0274 13	1	Washer		4060	0348 0101 12	4	Cable tie	
4400	1623 6844 00	1	Washer		4070	0686 3716 02	2	Plug	
4405	0515 8000 12	1	Cage		4071	0661 1000 27	2	Seal washer	
4410	0605 8514 07	1	Bushing		4110	1623 0345 00	1	Shaft	
			<b>GA110+</b>		4130	1621 4326 00	1	Ring	
			<b>5.2 bar(e)</b>		4140	1614 7279 00	1	Washer	
			<b>5.5 bar(e)</b>		4150	1623 0344 00	1	Nut	
			<b>6.9 bar(e) excl. HAT</b>		4160	1623 0028 00	1	Insert	
			<b>GA132</b>		4170	0663 2103 22	1	O-ring	
			<b>8.5 bar(e) only HAT</b>		4180	0663 2109 49	1	O-ring	
			<b>GA132+</b>		4190	1623 0518 00	1	Pipe suction	
			<b>6.9 bar(e) only HAT</b>		4195	0661 1000 26	1	Seal washer	
			<b>7.5 bar(e) only HAT</b>		4200	0663 7126 00	1	O-ring	
			<b>8.5 bar(e)</b>		4210	0686 3716 02	2	Plug	
			<b>8.6 bar(e) excl. HAT</b>		4211	0661 1000 27	2	Seal washer	
			<b>GA160</b>		4220	0211 1102 16	2	Screw	
			<b>8.6 bar(e) only HAT</b>		4230	0663 7126 00	2	O-ring	
			<b>10 bar(e) only HAT</b>		4240	0301 2358 00	4	Washer	
			<b>GA160+</b>		4250	0147 1406 03	4	Bolt	
			<b>10 bar(e) only HAT</b>		4270	1614 9184 00	1	Level gauge	
			<b>10.4 bar(e)</b>		4280	0560 0200 74	1	Elbow	
			<b>A'</b>		4300	1079 5840 29	1	Hexagon nipple	
1040	1623 1226 00	1	Pipe		4310	0575 0056 35	1	Flexible	
1050	0663 2109 68	1	O-ring		4320	0661 1000 29	1	Seal washer	
1060	1623 0492 00	1	Pipe		4330	1614 9252 00	1	Plug	
1080	0147 1363 03	4	Bolt		4340	1623 6821 00	1	Bushing	
1090	0301 2344 00	4	Washer		4350	1623 6822 00	1	Screw	
1100	0663 2106 17	1	O-ring		4370	0266 2116 00	1	Nut	
					4380	0147 1400 03	4	Bolt	

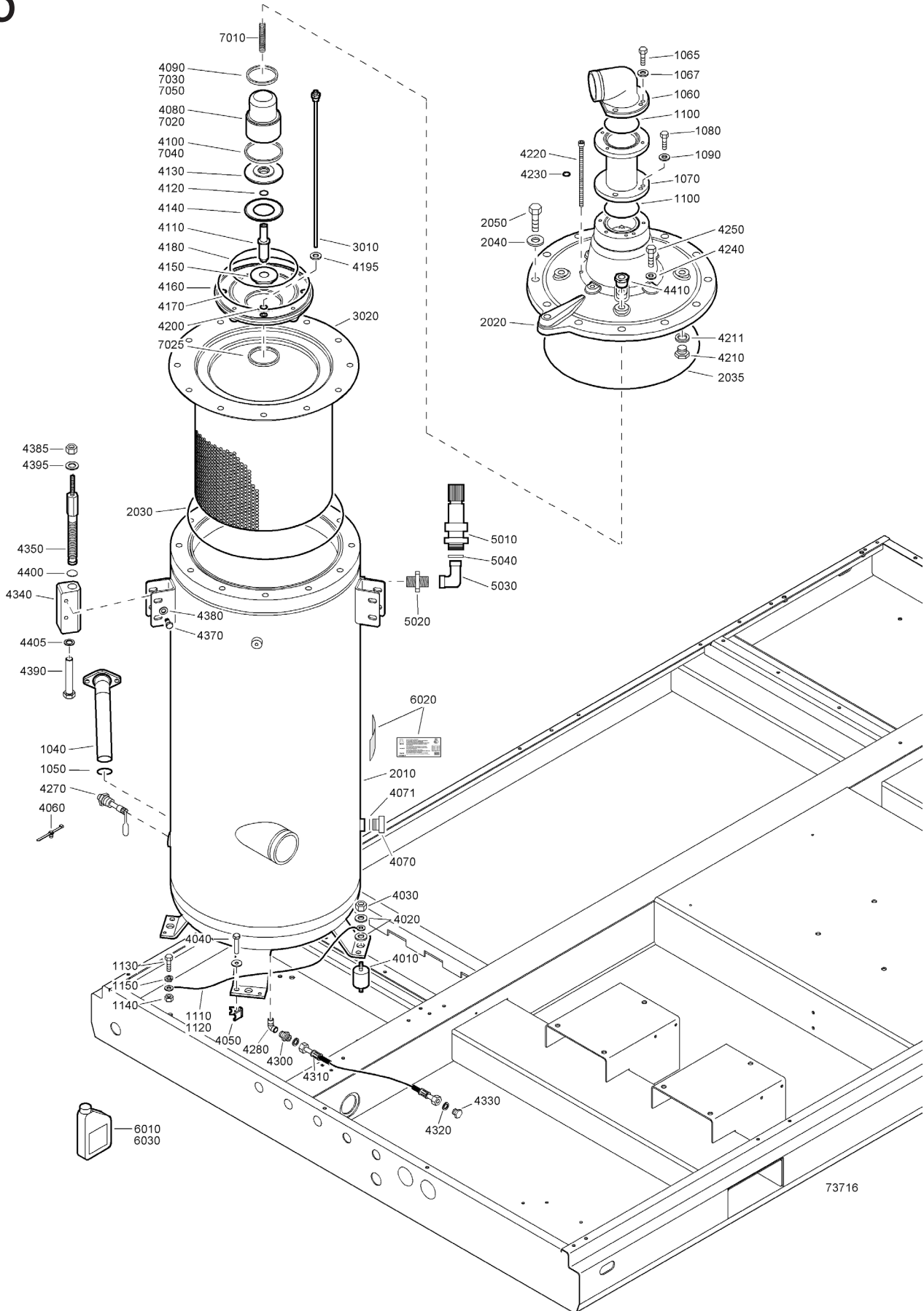
# 15



## Air receiver

Ref.	Part number	Qty	Name	Remarks	Ref.	Part number	Qty	Name	Remarks
4385	0301 2358 00	4	Washer		4270	1614 9184 00	1	Level gauge	
4390	0147 1564 12	1	Bolt		4280	0560 0200 74	1	Elbow	
4395	0300 0274 13	1	Washer		4300	1079 5840 29	1	Hexagon nipple	
4400	1623 6844 00	1	Washer		4310	0575 0056 35	1	Flexible	
4405	0515 8000 12	1	Cage		4320	0661 1000 29	1	Seal washer	
4410	0605 8514 07	1	Bushing		4330	1614 9252 00	1	Plug	
				<b>GA132-10 bar(e) excl. HAT</b>	4340	1623 6821 00	1	Bushing	
1040	1623 1226 00	1	Pipe		4350	1623 6822 00	1	Screw	
1050	0663 2109 68	1	O-ring		4370	0147 1400 03	4	Bolt	
1060	1623 0492 00	1	Pipe		4380	0301 2358 00	4	Washer	
1080	0147 1363 03	4	Bolt		4385	0266 2116 00	1	Nut	
1090	0301 2344 00	4	Washer		4390	0147 1564 12	1	Bolt	
1100	0663 2106 17	1	O-ring		4395	0300 0274 13	1	Washer	
1110	0017 2071 00	AR	Cable		4400	1623 6844 00	1	Washer	
1120	1088 0010 25	2	Cable lug		4405	0515 8000 12	1	Cage	
1130	0147 1360 03	1	Bolt		4410	0605 8514 07	1	Bushing	
1140	0266 2111 00	1	Nut					<b>Safety valve</b>	
1150	0333 3232 00	1	Lock washer					<b>GA 90+</b>	
1155	0333 3232 00	1	Lock washer					<b>5.5 bar(e)</b>	
	<b>1623 1765 82</b>	<b>1</b>	<b>Receiver air</b>	1)				<b>7.5 bar(e)</b>	
2010	1623 1765 02	• 1	Vessel	2)				<b>8.5 bar(e)</b>	
2020	1623 0027 02	• 1	Cover					<b>GA 110</b>	
2030	0663 2107 36	• 1	O-ring					<b>7.5 bar(e)</b>	
2035	0663 2107 36	• 1	O-ring					<b>8.5 bar(e)</b>	
2040	0300 0274 13	• 12	Washer					<b>GA 110+</b>	
2050	0147 1964 85	• 12	Bolt					<b>5.5 bar(e)</b>	
	<b>1623 1765 85</b>	<b>1</b>	<b>Receiver air</b>	1)				<b>7.5 bar(e)</b>	
2010	1623 1765 05	• 1	Vessel	2)				<b>8.5 bar(e)</b>	
2020	1623 0027 05	• 1	Cover					<b>GA 132</b>	
2030	0663 2107 36	• 1	O-ring					<b>7.5 bar(e)</b>	
2035	0663 2107 36	• 1	O-ring					<b>8.5 bar(e)</b>	
2040	0300 0274 13	• 12	Washer					<b>GA 132+</b>	
2050	0147 1964 85	• 12	Bolt					<b>7.5 bar(e)</b>	
	<b>1623 1765 88</b>	<b>1</b>	<b>Receiver air</b>	1)	5010	0830 1008 89	1	Valve safety	
2010	1623 1765 08	• 1	Vessel	2)	5020	0603 5120 03	1	Hexagon nipple	
2020	1623 0027 08	• 1	Cover		5030	0560 0200 24	1	Elbow	
2030	0663 2107 36	• 1	O-ring		5040	0653 1189 00	1	Flat gasket	
2035	0663 2107 36	• 1	O-ring					<b>GA 90+</b>	
2040	0300 0274 13	• 12	Washer					<b>5.2 bar(e)</b>	
2050	0147 1964 85	• 12	Bolt					<b>6.9 bar(e)</b>	
3010	1623 0517 00	1	Pipe suction					<b>8.6 bar(e)</b>	
3020	1623 0516 99	1	Filter elem.					<b>10 bar(e)</b>	
		<b>1</b>	<b>Air receiver</b>					<b>10.4 bar(e)</b>	
4010	1623 5777 00	4	Buffer					<b>13.8 bar(e)</b>	
4020	0300 0274 17	8	Washer					<b>14 bar(e)</b>	
4030	0266 2111 00	4	Nut					<b>GA 110</b>	
4060	0348 0101 12	4	Cable tie					<b>6.9 bar(e)</b>	
4070	0686 3716 02	2	Plug					<b>8.6 bar(e)</b>	
4071	0661 1000 27	2	Seal washer					<b>10 bar(e)</b>	
4110	1623 0345 00	1	Shaft					<b>10.4 bar(e)</b>	
4130	1621 4326 00	1	Ring					<b>GA 110+</b>	
4140	1614 7279 00	1	Washer					<b>6.9 bar(e)</b>	
4150	1623 0344 00	1	Nut					<b>8.6 bar(e)</b>	
4160	1623 0028 00	1	Insert					<b>10 bar(e)</b>	
4170	0663 2103 22	1	O-ring					<b>10.4 bar(e)</b>	
4180	0663 2109 49	1	O-ring					<b>13.8 bar(e)</b>	
4190	1623 0517 00	1	Pipe suction					<b>14 bar(e)</b>	
4195	0661 1000 26	1	Seal washer					<b>GA 132</b>	
4200	0663 7126 00	1	O-ring					<b>8.6 bar(e)</b>	
4210	0686 3716 02	2	Plug					<b>10 bar(e)</b>	
4211	0661 1000 27	2	Seal washer					<b>10.4 bar(e)</b>	
4220	0211 1102 16	2	Screw					<b>GA 132+</b>	
4230	0663 7126 00	2	O-ring					<b>8.6 bar(e)</b>	
4240	0301 2358 00	4	Washer					<b>10 bar(e)</b>	
4250	0147 1406 03	4	Bolt					<b>10.4 bar(e)</b>	

# 15



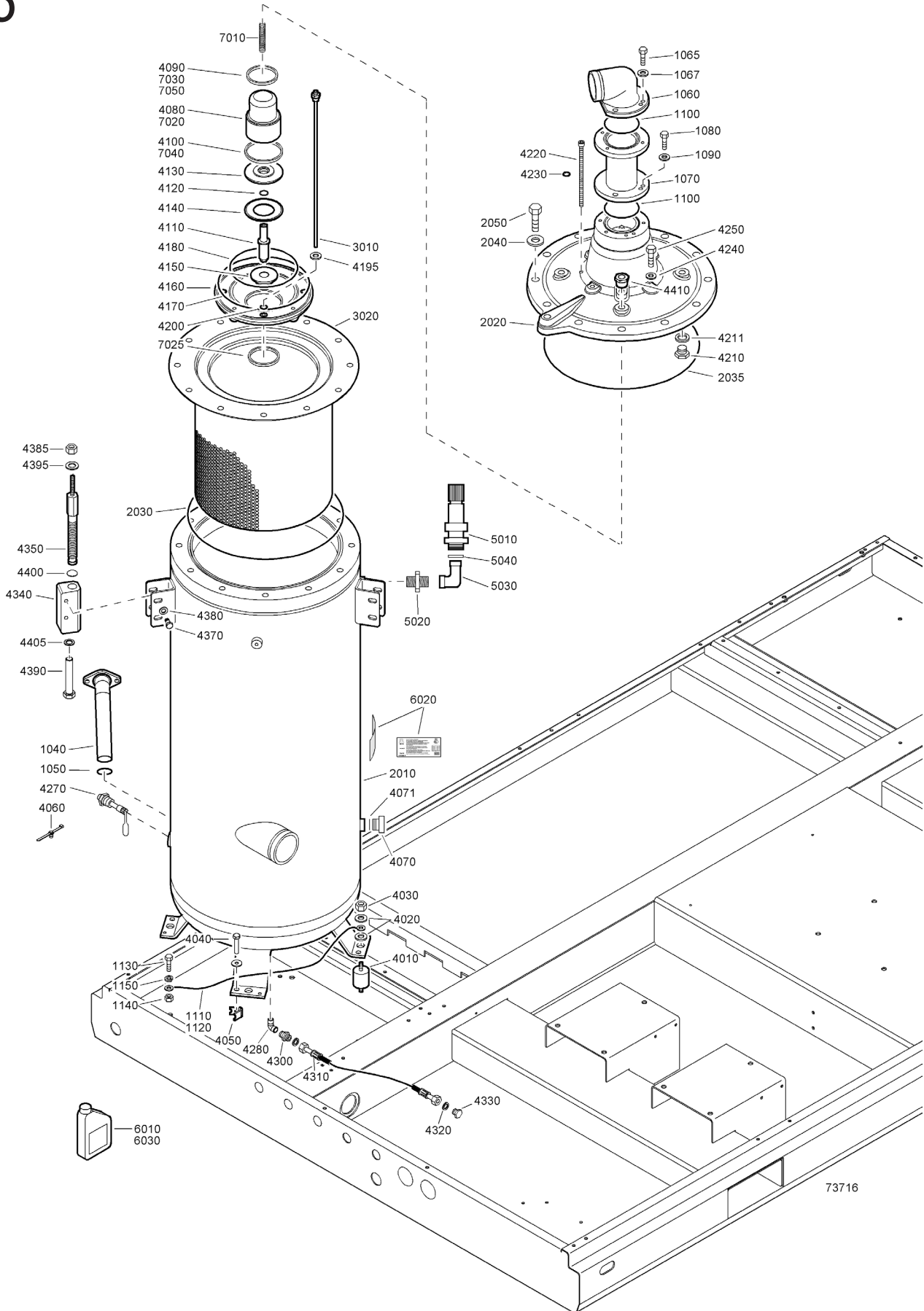
73716



## Air receiver

Ref.	Part number	Qty	Name	Remarks	Ref.	Part number	Qty	Name	Remarks
			<b>13.8 bar(e)</b>		6020	1079 9925 87	1	Label	
			<b>14 bar(e)</b>		6030	1623 0504 00	1	Can	
			<b>GA 160</b>					<b>GA 90+</b>	
			<b>10.4 bar(e)</b>					<b>5.2 bar</b>	
			<b>GA 160+</b>					<b>5.5 bar</b>	
			<b>10.4 bar(e)</b>					<b>6.9 bar</b>	
			<b>13.8 bar(e)</b>					<b>7.5 bar</b>	
			<b>14 bar(e)</b>					<b>8.6 bar</b>	
5010	0830 1008 95	1	Valve safety					<b>8.5 bar</b>	
5020	0603 5119 03	1	Nipple		6010	0017 5201 20	AR	Oil	
5030	0560 0200 57	1	Elbow		6020	1079 9925 87	1	Label	
5040	0653 1165 00	1	Flat gasket		6030	1623 0504 00	1	Can	
			<b>GA 110+</b>					<b>GA 110+</b>	
			<b>5.2bar(e)</b>					<b>5.2 bar</b>	
			<b>GA 132</b>					<b>5.5 bar</b>	
			<b>6.9bar(e)</b>					<b>6.9 bar</b>	
			<b>GA 132+</b>					<b>7.5 bar</b>	
			<b>5.2bar(e)</b>					<b>8.6 bar</b>	
			<b>6.9bar(e)</b>					<b>10 bar</b>	
			<b>GA 160</b>					<b>10.4 bar</b>	
			<b>5.2bar(e)</b>					<b>GA 132+</b>	
			<b>8.6bar(e)</b>					<b>GA 160</b>	
			<b>10bar(e)</b>					<b>GA 160+</b>	
			<b>GA 160+</b>					<b>5.2 bar</b>	
			<b>10bar(e)</b>					<b>5.5 bar</b>	
5010	0830 1008 92	1	Valve safety					<b>6.9 bar</b>	
5020	0603 5120 03	1	Hexagon nipple					<b>7.5 bar</b>	
5030	0560 0200 24	1	Elbow					<b>8.6 bar</b>	
5040	0653 1189 00	1	Flat gasket					<b>10 bar</b>	
			<b>GA 132</b>					<b>10.4 bar</b>	
			<b>5.5bar(e)</b>		6010	0017 5201 20	AR	Oil	
			<b>GA 132+</b>		6020	1079 9925 87	1	Label	
			<b>7.5bar(e)</b>		6030	1623 0504 00	1	Can	
			<b>8.5bar(e)</b>					<b>Watercooled</b>	
5010	0830 1008 90	1	Valve safety					<b>Roto-Xtend Duty Fluid</b>	
5020	0603 4107 03	1	Hexagon nipple					<b>GA 90+</b>	
5030	0560 0200 30	1	Elbow					<b>10 bar</b>	
5040	0653 1227 00	1	Flat gasket					<b>10.4 bar</b>	
			<b>Roto inject fluid oil</b>					<b>13.8 bar</b>	
			<b>GA 90+</b>					<b>14 bar</b>	
			<b>10.4 bar</b>					<b>GA 110</b>	
			<b>10 bar</b>					<b>GA 110+</b>	
			<b>13.8 bar</b>					<b>13.8 bar</b>	
			<b>14 bar</b>					<b>14 bar</b>	
6010	0017 5200 48	AR	Oil		6010	0017 5201 20	AR	Oil	
6020	1079 9909 57	1	Label		6020	1079 9925 87	1	Label	
6030	1613 6532 01	1	Oil can		6030	1623 0504 00	1	Can	
			<b>Roto-Xtend Duty Fluid</b>					<b>GA 132</b>	
			<b>GA 90+</b>					<b>GA 132+</b>	
			<b>10.4 bar</b>					<b>13.8 bar</b>	
			<b>10 bar</b>					<b>14 bar</b>	
			<b>13.8 bar</b>		6010	0017 5201 20	AR	Oil	
			<b>14 bar</b>		6020	1079 9925 87	1	Label	
6010	0017 5201 20	AR	Oil		6030	1623 0504 00	1	Can	
6020	1079 9925 87	1	Label					<b>GA 90+</b>	
6030	1623 0504 00	1	Can					<b>5.2 bar</b>	
			<b>GA 110</b>					<b>5.5 bar</b>	
			<b>GA 110+</b>					<b>6.9 bar</b>	
			<b>13.8 bar</b>					<b>7.5 bar</b>	
			<b>14 bar</b>					<b>8.6 bar</b>	
			<b>GA 132</b>					<b>GA 110+</b>	
			<b>GA 132+</b>					<b>5.2 bar</b>	
			<b>13.8 bar</b>					<b>5.5 bar</b>	
			<b>14 bar</b>					<b>6.9 bar</b>	
6010	0017 5201 20	AR	Oil					<b>7.5 bar</b>	

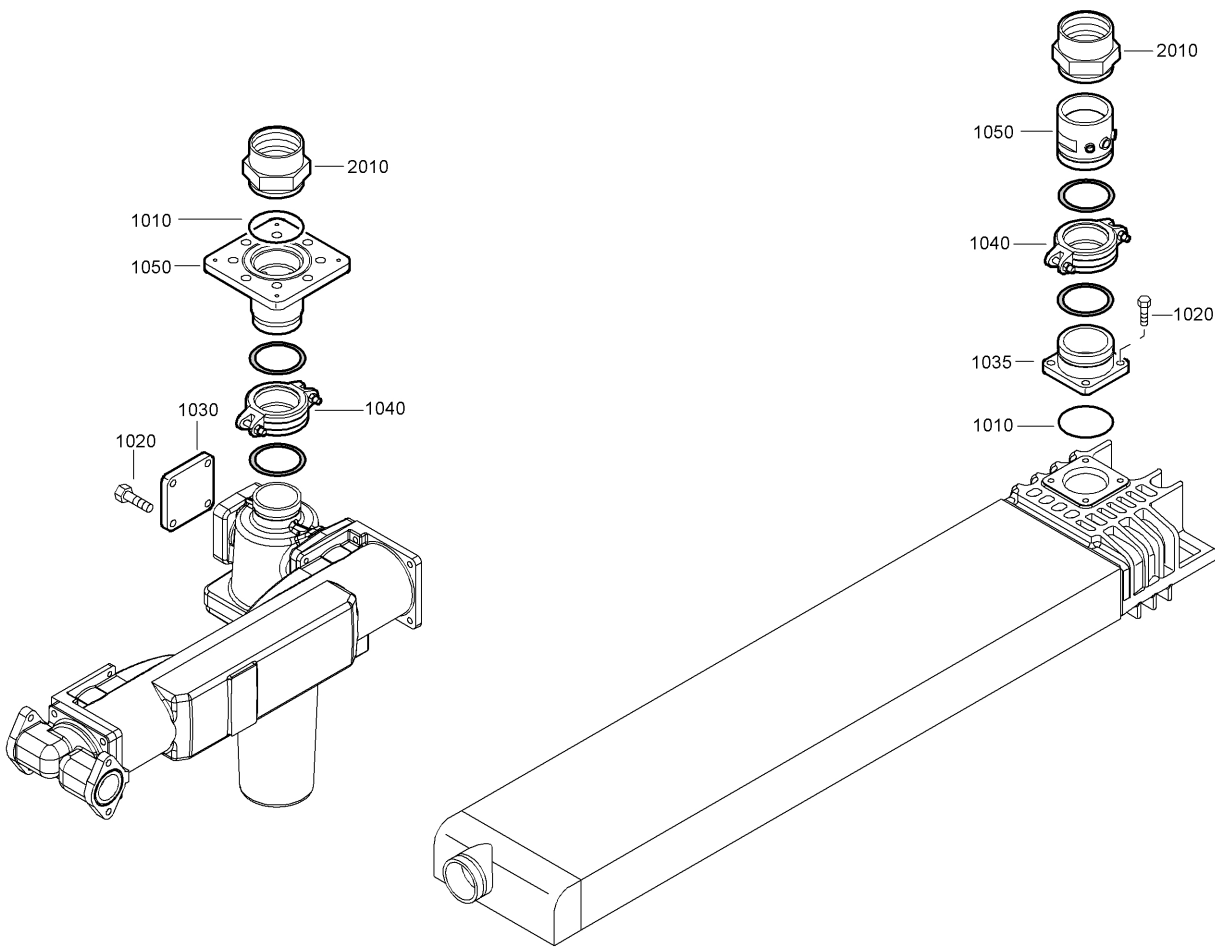
# 15



**Air receiver**

Ref.	Partnumber	Qty	Name	Remarks	Ref.	Partnumber	Qty	Name	Remarks
6010	0017 5201 20	AR	Oil		6010	0017 5201 20	AR	Oil	
6020	1079 9925 87	1	Label					Valve	
6030	1623 0504 00	1	Can					5.2 bar(e)	
			GA 132+					5.5 bar(e)	
			GA 160					6.9 bar(e)	
			GA 160+					7.5 bar(e)	
			5.2 bar					8.5 bar(e)	
			5.5 bar					8.6 bar(e)	
			6.9 bar		7010	1623 0456 02	1	Spring	
			7.5 bar		7020	1623 4457 02	1	Valve press	
			8.6 bar		7025	0665 9301 49	1	Ring	
			10 bar		7040	0665 0800 79	1	Seal	
			10.4 bar		7050	0665 0701 56	1	Seal	
6010	0017 5201 20	AR	Oil					10 bar(e)	
6020	1079 9925 87	1	Label					10.4 bar(e)	
6030	1623 0504 00	1	Can		7010	1623 0456 01	1	Spring	
			GA 90+		7020	1623 4457 03	1	Valve press	
			GA 110		7030	0665 0701 56	1	Seal	
			GA 110+		7040	0665 0800 78	1	Seal	
			GA 132		7050	0665 0800 79	1	Seal	
			GA 132+					13.8 bar(e)	
			Roto inject fluid oil - ENergy					14 bar(e)	
			RECOVERY		7010	1623 0456 02	1	Spring	
6010	0017 5200 48	AR	Oil		7020	1623 4457 03	1	Valve press	
			GA 160		7030	0665 0701 56	1	Seal	
			GA 160+		7040	0665 0800 78	1	Seal	
			Roto inject fluid oil - ENergy		7050	0665 0800 79	1	Seal	
			RECOVERY						
6010	0017 5200 48	AR	Oil						
			GA 90+					1)	
			GA 110					<b>82 for ASME,CRN &amp; MOM</b>	
			GA 110+					<b>85 FOR ML,AS1210, &amp; MOL</b>	
			GA 132					<b>88 for CE</b>	
			GA 132+					2)	
			Roto inject fluid oil - ENergy					<b>02 for ASME,CRN &amp; MOM</b>	
			RECOVERY					<b>05 FOR ML,AS1210, &amp; MOL</b>	
6010	0017 5201 20	AR	Oil					<b>08 for CE</b>	
			GA 160						

# 16

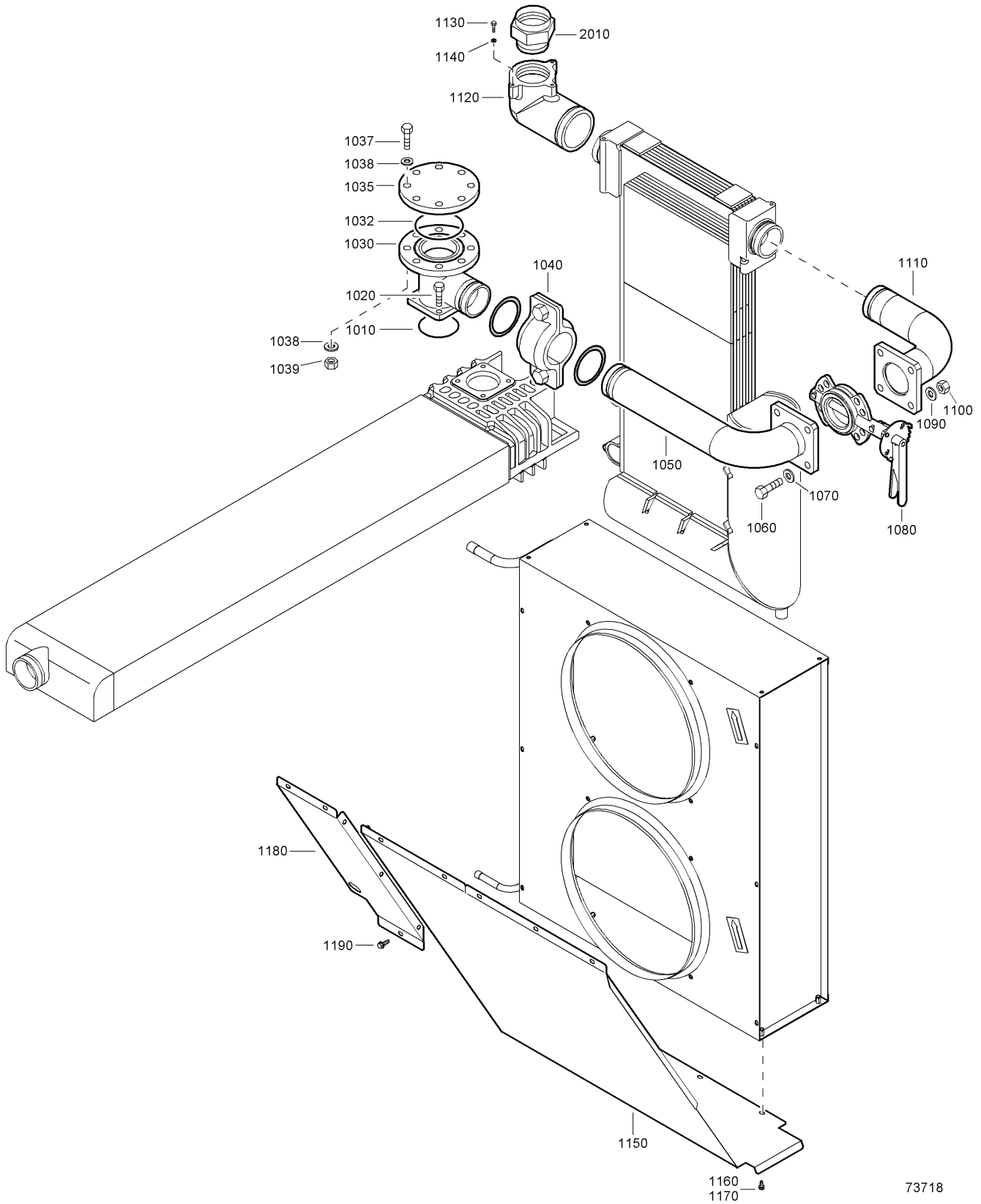


73717

**Air outlet - Pack**

Ref.	Partnumber	Qty	Name	Remarks	Ref.	Partnumber	Qty	Name	Remarks
			<b>Air outlet</b>		1020	0147 1402 03	4	Bolt	
			<b>Aircooled</b>		1035	1623 0791 00	1	Flange	
1010	0663 2106 17	1	O-ring		1040	0634 1000 29	1	Victaulic coupling	
1020	0211 1402 03	4	Cap screw		1050	1623 0792 00	1	Pipe	
1030	1623 0559 00	1	Pipe					<b>Adaptor</b>	
1040	0634 1001 45	1	Coupling					<b>Aircooled</b>	
1050	1623 0558 00	1	Pipe		2010	1614 7202 00	1	Adaptor	
			<b>Watercooled</b>					<b>Watercooled</b>	
1010	0663 2107 50	1	O-ring		2010	1614 7202 00	1	Adaptor	

# 17



73718

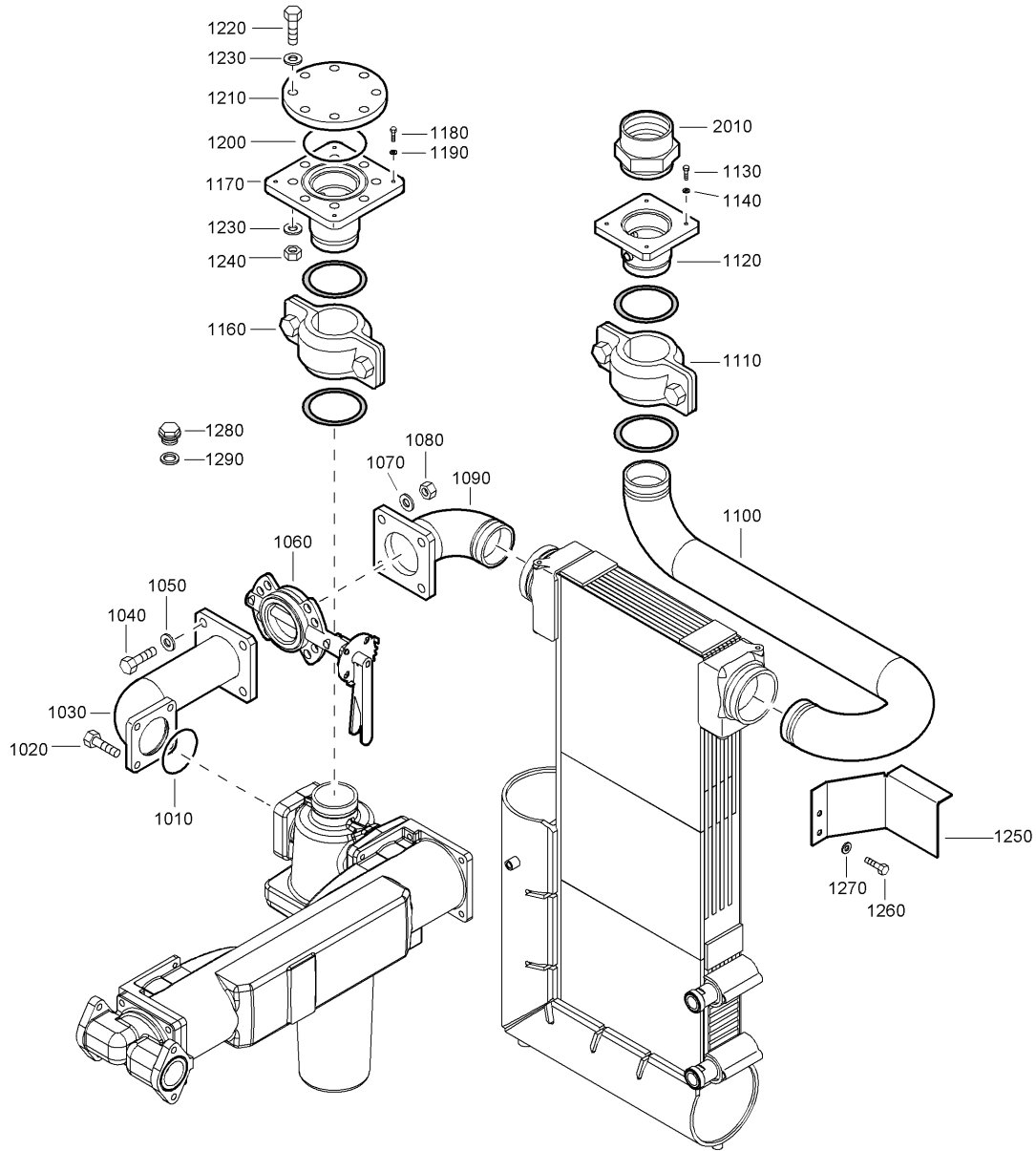
73718

## Air outlet - Full Feature - Aircooled

17

Ref.	Partnumber	Qty	Name	Remarks	Ref.	Partnumber	Qty	Name	Remarks
1010	0663 2106 17	1	O-ring		1130	0147 1322 03	3	Bolt	
1020	0211 1402 03	4	Cap screw		1140	0301 2335 00	3	Washer	
1030	1623 0557 00	1	Pipe		<b>1150</b>	<b>1623 1519 80</b>	<b>1</b>	<b>Baffle</b>	
1032	0663 2108 23	1	O-ring				• 1	Baffle	
1035	0632 1101 93	1	Flange blind			1619 5188 00	• AR	Seal	
1037	0147 1481 03	8	Bolt			1202 6584 00	• AR	Seal	
1038	0301 2378 00	16	Washer			1503 1056 00	• AR	Seal	
1039	0266 2114 00	8	Nut		1160	0147 1963 08	10	Hexagon bolt	
1040	0634 1000 29	1	Victaulic coupling		1170	1079 1472 05	4	Bolt	
1050	1623 0622 00	1	Pipe		<b>1180</b>	<b>1623 1517 80</b>	<b>1</b>	<b>Baffle</b>	
1060	0147 1489 03	4	Bolt				• 1	Baffle	
1070	0301 2378 00	4	Washer			1619 5188 00	• AR	Seal	
1080	1614 9212 01	1	Valve butterfly			1088 0803 08	• 1	Grommet	
1090	0301 2378 00	4	Washer		1190	0147 1963 08	5	Hexagon bolt	
1100	0266 2114 00	4	Nut					<b>Adaptor</b>	
1110	1623 0624 00	1	Pipe		2010	1614 7202 00	1	Adaptor	
1120	1623 0708 00	1	Pipe						

# 18



73719

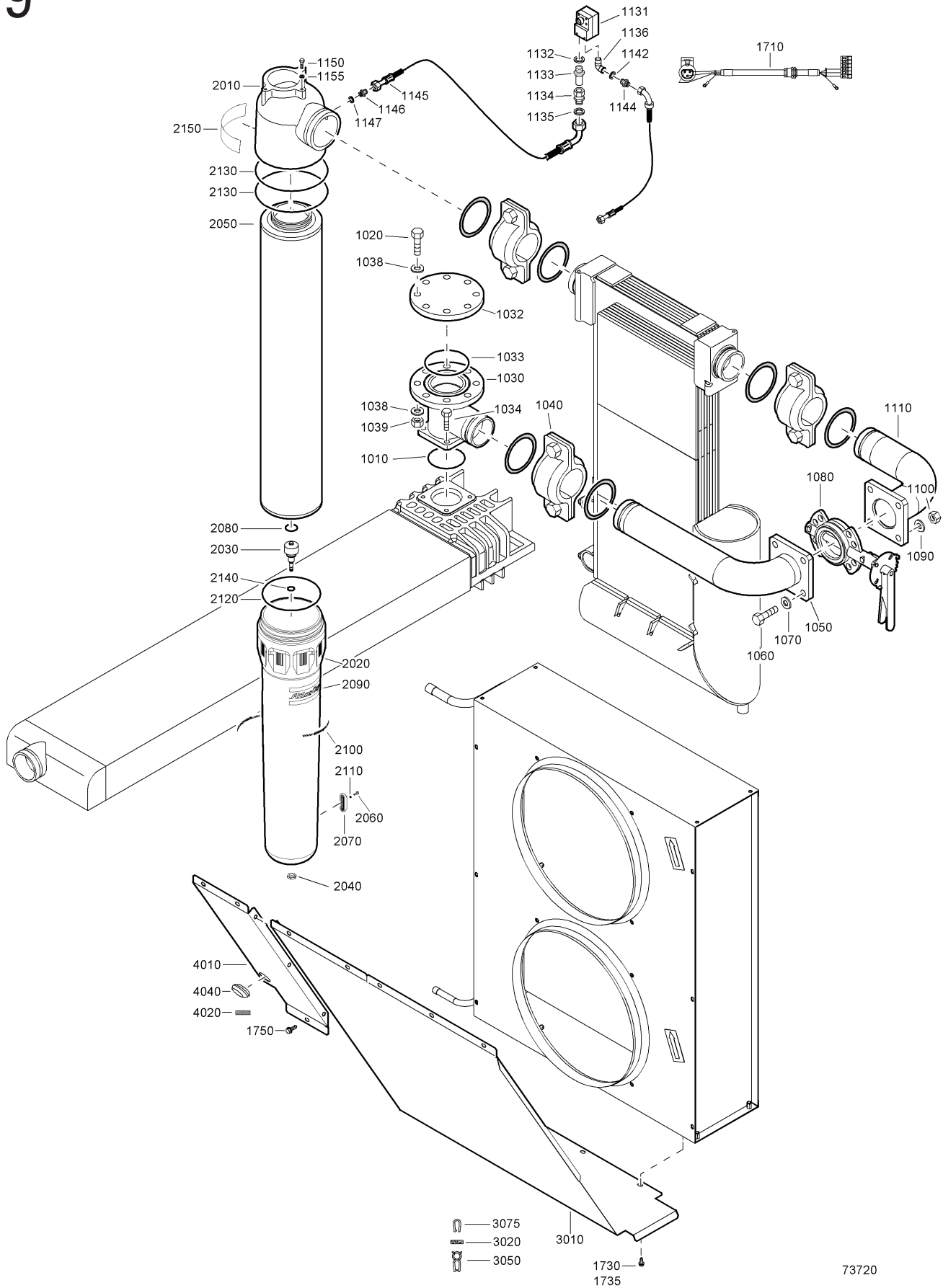


**Air outlet - Full Feature - Watercooled**

18

Ref.	Partnumber	Qty	Name	Remarks	Ref.	Partnumber	Qty	Name	Remarks
1010	0663 2107 50	1	O-ring		1170	1623 0792 00	1	Pipe	
1020	0147 1402 03	4	Bolt		1180	0147 1323 03	4	Hex. head screw	
1030	1623 0332 00	1	Pipe		1190	0301 2335 00	4	Washer	
1040	0147 1489 03	4	Bolt		1200	0663 2108 23	1	O-ring	
1050	0301 2378 00	4	Washer		1210	0632 1101 93	1	Flange	
1060	1614 9212 01	1	Valve butterfly		1220	0147 1481 03	8	Bolt	
1070	0301 2378 00	4	Washer		1230	0301 2378 00	16	Washer	
1080	0266 2114 00	4	Nut		1240	0266 2114 00	8	Nut	
1090	1621 7462 00	1	Pipe		1250	1623 1528 00	1	Support	
1100	1623 1539 00	1	Pipe		1260	0147 1362 03	2	Bolt	
1110	0634 1000 29	1	Victaulic coupling		1270	0301 2344 00	2	Washer	
1120	1623 0690 00	1	Pipe		1280	0686 3716 01	1	Plug	
1130	0147 1323 03	4	Hex. head screw		1290	0661 1000 25	1	Seal washer	
1140	0301 2335 00	4	Washer					<b>Adaptor</b>	
1160	0634 1000 29	1	Victaulic coupling		2010	1614 7202 00	1	Adaptor	

# 19

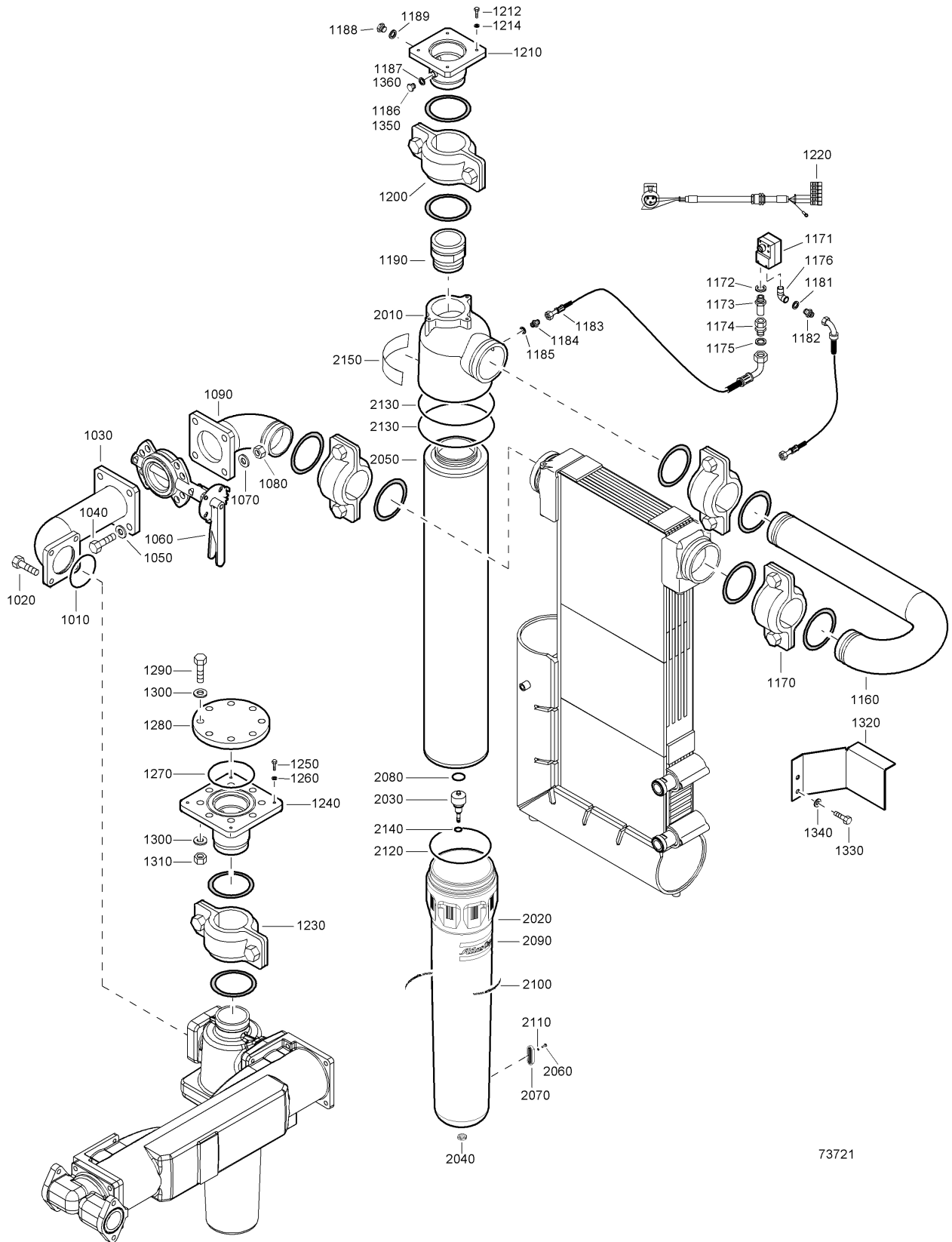


## Air outlet - Full Feature + DD Filter - Aircooled

19

Ref.	Partnumber	Qty	Name	Remarks	Ref.	Partnumber	Qty	Name	Remarks
			<b>6.9 bar(e)</b>					<b>6.9 bar(e)</b>	
			<b>7.5 bar(e)</b>					<b>7.5 bar(e)</b>	
			<b>8.5 bar(e)</b>					<b>8.5 bar(e)</b>	
			<b>8.6 bar(e)</b>					<b>8.6 bar(e)</b>	
			<b>10 bar(e)</b>		1010	0663 2106 17	1	O-ring	
			<b>10.4 bar(e)</b>		1020	0211 1402 03	4	Cap screw	
			<b>13.8 bar(e)</b>		1030	1623 0557 00	1	Pipe	
			<b>14 bar(e)</b>		1032	0632 1101 93	1	Flange blind	
1010	0663 2106 17	1	O-ring		1033	0663 2108 23	1	O-ring	
1020	0211 1402 03	4	Cap screw		1034	0147 1481 03	8	Bolt	
1030	1623 0557 00	1	Pipe		1038	0301 2378 00	16	Washer	
1032	0632 1101 93	1	Flange blind		1039	0266 2114 00	8	Nut	
1033	0663 2108 23	1	O-ring		1040	0634 1000 29	1	Victaulic coupling	
1034	0147 1481 03	8	Bolt		1050	1623 0622 00	1	Pipe	
1038	0301 2378 00	16	Washer		1060	0147 1489 03	4	Bolt	
1039	0266 2114 00	8	Nut		1070	0301 2378 00	4	Washer	
1040	0634 1000 29	1	Victaulic coupling		1080	1614 9212 02	1	Valve butterfly	
1050	1623 0622 00	1	Pipe		1090	0301 2378 00	4	Washer	
1060	0147 1489 03	4	Bolt		1100	0266 2114 00	4	Nut	
1070	0301 2378 00	4	Washer		1110	1623 0624 00	1	Pipe	
1080	1614 9212 02	1	Valve butterfly		1131	1089 9625 01	1	Dp transducer	
1090	0301 2378 00	4	Washer		1132	0661 1000 24	1	Seal washer	
1100	0266 2114 00	4	Nut		1133	1615 3624 00	1	Nozzle	
1110	1623 0624 00	1	Pipe		1134	0580 0400 03	1	Str.coupling	
1131	1089 9625 01	1	Dp transducer		1135	0661 1000 25	1	Seal washer	
1132	0661 1000 24	1	Seal washer		1136	0560 0200 61	1	Elbow	
1133	1615 3624 00	1	Nozzle		1142	0661 1000 24	1	Seal washer	
1134	0580 0400 03	1	Str.coupling		1144	1079 5840 01	1	Nipple	
1135	0661 1000 25	1	Seal washer		1145	0574 8231 11	1	Hose assy	
1136	0560 0200 61	1	Elbow		1146	1619 5205 00	1	Nipple	
1142	0661 1000 24	1	Seal washer		1147	0661 1000 25	1	Seal washer	
1144	1079 5840 01	1	Nipple		1150	0147 1322 03	3	Bolt	
1145	0574 8231 11	1	Hose assy		1155	0301 2335 00	3	Washer	
1146	1619 5205 00	1	Nipple		1710	1623 1160 00	1	Wiring	
1147	0661 1000 25	1	Seal washer		1730	0147 1963 08	10	Hexagon bolt	
1150	0147 1322 03	3	Bolt		1735	1079 1472 05	4	Bolt	
1155	0301 2335 00	3	Washer		1750	0147 1963 08	5	Hexagon bolt	
1710	1623 1160 00	1	Wiring			<b>1624 1605 80</b>	<b>1</b>	<b>Filter DD520</b>	
1730	0147 1963 08	10	Hexagon bolt		2010	1623 0581 00	• 1	Head	
1735	1079 1472 05	4	Bolt		2020	1617 7017 00	• 1	Bowl	
1750	0147 1963 08	5	Hexagon bolt		2030	1617 7047 00	• 1	Drain	
	<b>1624 1604 80</b>	<b>1</b>	<b>Filter DD390</b>		2040	1617 7046 00	• 1	Nut	
2010	1623 0581 00	• 1	Head		2050	1617 7043 07	• 1	Element	
2020	1617 7016 00	• 1	Bowl		2060	0160 0996 06	• 2	Bolt	
2030	1617 7047 00	• 1	Drain		2070	1617 7114 00	• 1	Sight glass	
2040	1617 7046 00	• 1	Nut		2080	0663 9095 00	• 1	O-ring	
2050	1617 7043 03	• 1	Element		2090	0690 1112 01	• 2	House mark	
2060	0160 0996 06	• 2	Bolt		2100	1079 9921 13	• 2	Decal	
2070	1617 7114 00	• 1	Sight glass		2110	0661 1010 00	• 2	Washer	
2080	0663 9095 00	• 1	O-ring		2120	0663 2112 11	• 1	O-ring	
2090	0690 1112 01	• 2	House mark		2130	0663 2111 71	• 2	O-ring	
2100	1079 9921 13	• 2	Decal		2140	0663 2111 29	• 1	O-ring	
2110	0661 1010 00	• 2	Washer		2150	1624 1606 02	• 1	Label	
2120	0663 2112 11	• 1	O-ring			<b>1623 1519 80</b>	<b>1</b>	<b>Baffle</b>	
2130	0663 2111 71	• 2	O-ring		3010		• 1	Baffle	
2140	0663 2111 29	• 1	O-ring		3020	1619 5188 00	• AR	Seal	
2150	1624 1606 01	• 1	Label		3050	1202 6584 00	• AR	Seal	
			<b>GA 110+</b>		3075	1503 1056 00	• AR	Seal	
			<b>GA 132+</b>			<b>1623 1517 80</b>	<b>1</b>	<b>Baffle</b>	
			<b>GA 160</b>		4010		• 1	Baffle	
			<b>5.2 bar(e)</b>		4020	1619 5188 00	• 2	Seal	
			<b>5.5 bar(e)</b>		4040	1088 0803 08	• 1	Grommet	

# 20

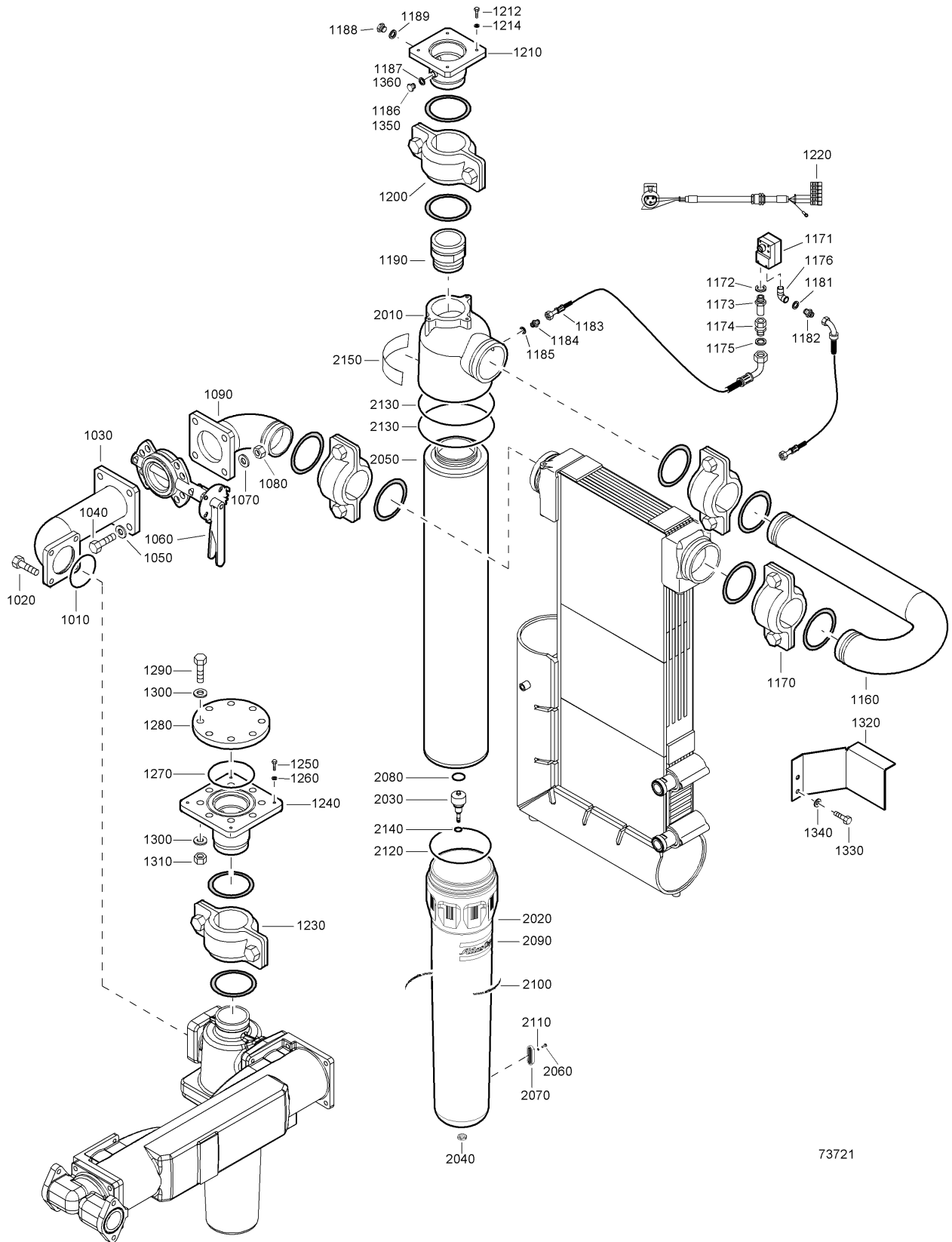


73721

## Air outlet - Full Feature + DD Filter - Watercooled

Ref.	Partnumber	Qty	Name	Remarks	Ref.	Partnumber	Qty	Name	Remarks
			<b>6.9 bar(e)</b>		2110	0661 101000	• 2	Washer	
			<b>7.5 bar(e)</b>		2120	0663 2112 11	• 1	O-ring	
			<b>8.5 bar(e)</b>		2130	0663 2111 71	• 2	O-ring	
			<b>8.6 bar(e)</b>		2140	0663 2111 29	• 1	O-ring	
			<b>10 bar(e)</b>		2150	1624 160601	• 1	Label	
			<b>10.4 bar(e)</b>		2160	1617 7081 06	• 1	Plug	
			<b>13.8 bar(e)</b>					<b>GA 110+</b>	
			<b>14 bar(e)</b>					<b>GA 132+</b>	
1010	0663 2107 50	1	O-ring					<b>GA 160</b>	
1020	0147 1402 03	4	Bolt					<b>5.2 bar(e)</b>	
1030	1623 0332 00	1	Pipe					<b>5.5 bar(e)</b>	
1040	0147 1489 03	4	Bolt					<b>6.9 bar(e)</b>	
1050	0301 2378 00	4	Washer					<b>7.5 bar(e)</b>	
1060	1614 9212 02	1	Valve butterfly					<b>8.5 bar(e)</b>	
1070	0301 2378 00	4	Washer					<b>8.6 bar(e)</b>	
1080	0266 2114 00	4	Nut	1010	0663 2107 50	1	O-ring		
1090	1621 7462 00	1	Pipe	1020	0147 1402 03	4	Bolt		
1160	1623 1538 00	1	Pipe	1030	1623 0332 00	1	Pipe		
1170	0634 1001 52	1	Victaulic coupling	1040	0147 1489 03	4	Bolt		
1171	1089 9625 01	1	Dp transducer	1050	0301 2378 00	4	Washer		
1172	0661 1000 24	1	Seal washer	1060	1614 9212 02	1	Valve butterfly		
1173	1615 3624 00	1	Nozzle	1070	0301 2378 00	4	Washer		
1174	0580 0400 03	1	Str.coupling	1080	0266 2114 00	4	Nut		
1175	0661 1000 25	1	Seal washer	1090	1621 7462 00	1	Pipe		
1176	0560 0200 61	1	Elbow	1160	1623 1538 00	1	Pipe		
1181	0661 1000 24	1	Seal washer	1170	0634 1001 52	1	Victaulic coupling		
1182	1079 5840 01	1	Nipple	1171	1089 9625 01	1	Dp transducer		
1183	0574 8231 11	1	Hose assy	1172	0661 1000 24	1	Seal washer		
1184	1619 5205 00	1	Nipple	1173	1615 3624 00	1	Nozzle		
1185	0661 1000 25	1	Seal washer	1174	0580 0400 03	1	Str.coupling		
1186	0686 3716 01	1	Plug	1175	0661 1000 25	1	Seal washer		
1187	0661 1000 25	1	Seal washer	1176	0560 0200 61	1	Elbow		
1188	0686 3716 30	1	Plug	1181	0661 1000 24	1	Seal washer		
1189	0661 1000 26	1	Seal washer	1182	1079 5840 01	1	Nipple		
1190	1623 0706 00	1	Pipe	1183	0574 8231 11	1	Hose assy		
1200	0634 1000 29	1	Victaulic coupling	1184	1619 5205 00	1	Nipple		
1220	1623 1160 00	1	Wiring	1185	0661 1000 25	1	Seal washer		
1210	1623 0690 00	1	Pipe	1186	0686 3716 01	1	Plug		
1212	0147 1323 03	4	Hex. head screw	1187	0661 1000 25	1	Seal washer		
1214	0301 2335 00	4	Washer	1188	0686 3716 30	1	Plug		
1230	0634 1000 29	1	Victaulic coupling	1189	0661 1000 26	1	Seal washer		
1240	1623 0792 00	1	Pipe	1190	1623 0706 00	1	Pipe		
1250	0147 1323 03	4	Hex. head screw	1200	0634 1000 29	1	Victaulic coupling		
1260	0301 2335 00	4	Washer	1210	1623 0690 00	1	Pipe		
1270	0663 2108 23	1	O-ring	1212	0147 1323 03	4	Hex. head screw		
1280	0632 1101 93	1	Flange blind	1214	0301 2335 00	4	Washer		
1290	0147 1481 03	8	Bolt	1220	1623 1160 00	1	Wiring		
1300	0301 2378 00	16	Washer	1230	0634 1000 29	1	Victaulic coupling		
1310	0266 2114 00	8	Nut	1240	1623 0792 00	1	Pipe		
1320	1623 1528 00	1	Support	1250	0147 1323 03	4	Hex. head screw		
1330	0147 1362 03	2	Bolt	1260	0301 2335 00	4	Washer		
1340	0301 2344 00	2	Washer	1270	0663 2108 23	1	O-ring		
1350	0686 3716 01	1	Plug	1280	0632 1101 93	1	Flange blind		
1360	0661 1000 25	1	Seal washer	1290	0147 1481 03	8	Bolt		
	<b>1624 1604 80</b>	<b>1</b>	<b>Filter DD390</b>	1300	0301 2378 00	16	Washer		
2010	1623 0581 00	• 1	Head	1310	0266 2114 00	8	Nut		
2020	1617 7016 00	• 1	Bowl	1320	1623 1528 00	1	Support		
2030	1617 7047 00	• 1	Drain	1330	0147 1362 03	2	Bolt		
2040	1617 7046 00	• 1	Nut	1340	0301 2344 00	2	Washer		
2050	1617 7043 03	• 1	Element	1350	0686 3716 01	1	Plug		
2060	0160 0996 06	• 2	Bolt	1360	0661 1000 25	1	Seal washer		
2070	1617 7114 00	• 1	Sight glass		<b>1624 1605 80</b>	<b>1</b>	<b>Filter DD520</b>		
2080	0663 9095 00	• 1	O-ring	2010	1623 0581 00	• 1	Head		
2090	0690 1112 01	• 2	House mark	2020	1617 7017 00	• 1	Bowl		
2100	1079 9921 13	• 2	Decal	2030	1617 7047 00	• 1	Drain		

# 20



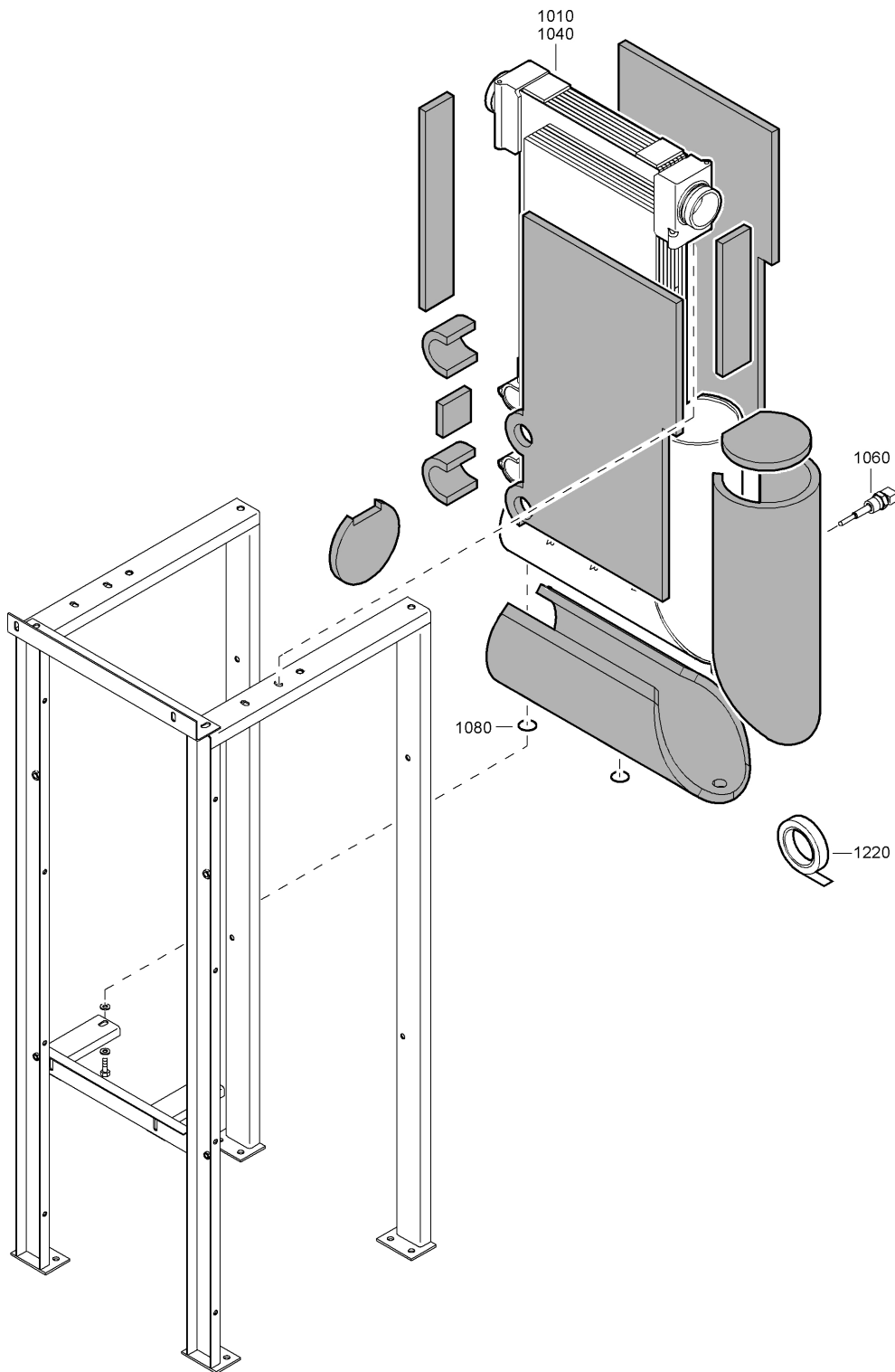
73721

**Air outlet - Full Feature + DD Filter - Watercooled**

20

Ref.	Partnumber	Qty	Name	Remarks	Ref.	Partnumber	Qty	Name	Remarks
2040	1617 7046 00	• 1	Nut		2110	0661 1010 00	• 2	Washer	
2050	1617 7043 07	• 1	Element		2120	0663 2112 11	• 1	O-ring	
2060	0160 0996 06	• 2	Bolt		2130	0663 2111 71	• 2	O-ring	
2070	1617 7114 00	• 1	Sight glass		2140	0663 2111 29	• 1	O-ring	
2080	0663 9095 00	• 1	O-ring		2150	1624 1606 02	• 1	Label	
2090	0690 1112 01	• 2	House mark		2160	1617 7081 06	• 1	Plug	
2100	1079 9921 13	• 2	Decal						

# 21



73722

73722

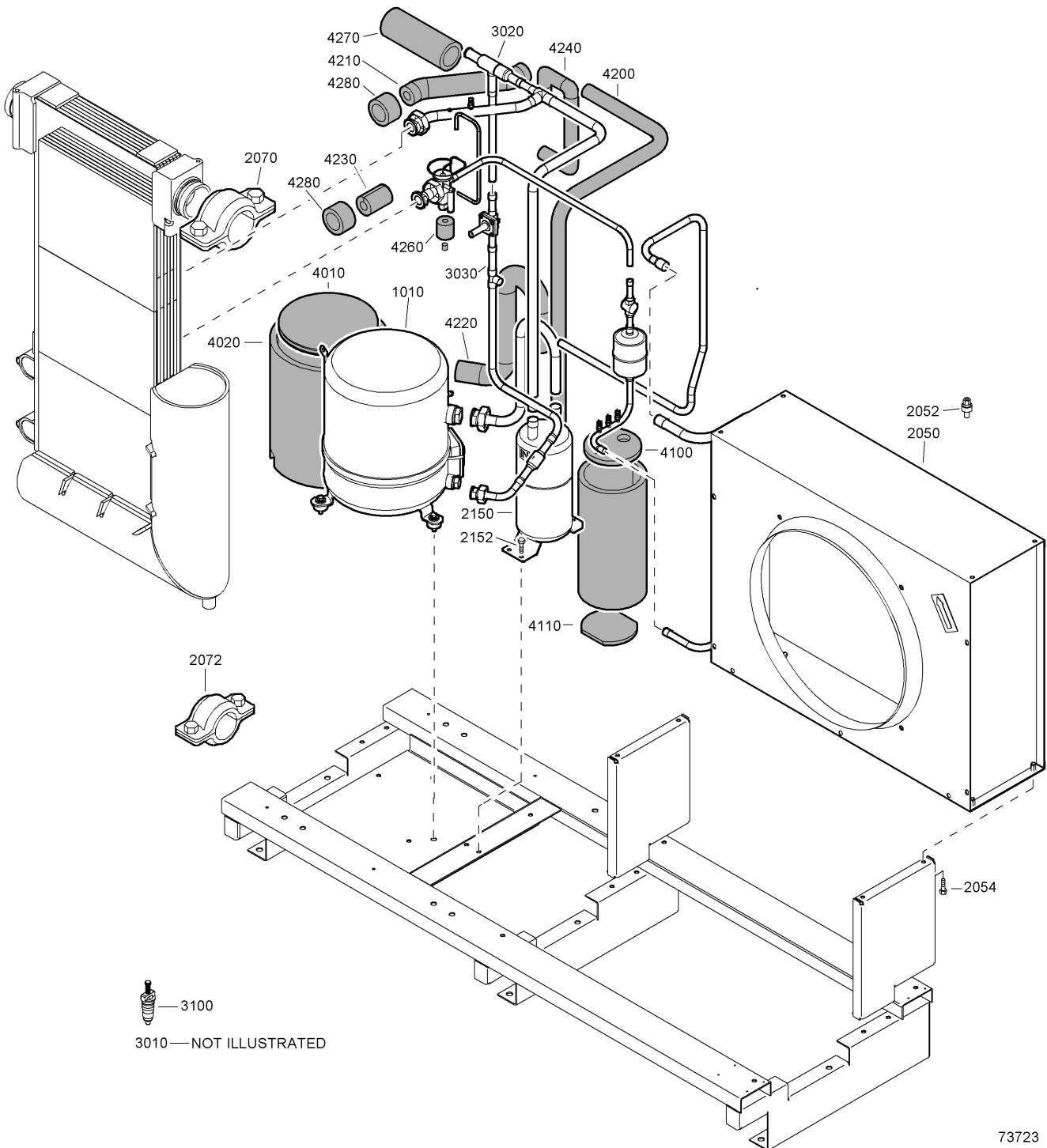


## Air dryer - Heat exchanger

21

Ref.	Partnumber	Qty	Name	Remarks	Ref.	Partnumber	Qty	Name	Remarks
			GA90+ 6.9 bar(e)-CE					GA160+ 14 bar(e)-CE	
			GA110 6.9 bar(e)-CE				1	Basic parts	
			GA110+ 6.9 bar(e)-CE	1010	16174222 00	1	Heat exchanger		
			GA110 7.5 bar(e)-CE	1040	16170128 00	AR	Heat conducting pasta		
			GA90+ 7.5 bar(e)-CE	1060	10890574 14	1	Sensor temp.		
			GA110+ 7.5 bar(e)-CE	1080	16172008 00	2	Ring		
			GA110 8.5 bar(e)-CE	1220	0395 1010 05	AR	Insul. Tape		
			GA90+8.5 bar(e)-CE				GA90+ 5.2 bar(e)-CE		
			GA110+ 8.5 bar(e)-CE				GA90+ 5.5 bar(e)-CE		
			GA132 8.5 bar(e)-CE				GA132 6.9 bar(e)-CE		
			GA132+ 8.5 bar(e)-CE				GA132+ 6.9 bar(e)-CE		
			GA110 8.6 bar(e)-CE				GA132 7.5 bar(e)-CE		
			GA132 8.6 bar(e)-CE				GA132+ 7.5 bar(e)-CE		
			GA90+ 8.6 bar(e)-CE				GA160 8.5 bar(e)-CE		
			GA110+ 8.6 bar(e)-CE				GA160 8.6 bar(e)-CE		
			GA132+ 8.6 bar(e)-CE				1	Basic parts	
			GA110 10 bar(e)-CE	1010	16174217 00	1	Heat exchanger		
			GA132 10 bar(e)-CE	1040	16170128 00	AR	Heat conducting pasta		
			GA90+ 10 bar(e)-CE	1060	10890574 14	1	Sensor temp.		
			GA110+ 10 bar(e)-CE	1080	16172008 00	2	Ring		
			GA132+ 10 bar(e)-CE	1220	0395 1010 05	AR	Insul. Tape		
			GA160+ 10 bar(e)-CE				GA132 / 175 VSD		
			GA160 10 bar(e)-CE				GA160 / 200 VSD		
			GA110 10.4 bar(e)-CE				GA110+ 5.2 bar(e)-CE		
			GA132 10.4 bar(e)-CE				GA132+ 5.2 bar(e)-CE		
			GA90+ 10.4 bar(e)-CE				GA110+ 5.5 bar(e)-CE		
			GA110+ 10.4 bar(e)-CE				GA132+ 5.5 bar(e)-CE		
			GA132+ 10.4 bar(e)-CE				GA160 6.9 bar(e)-CE		
			GA160+ 10.4 bar(e)-CE				GA160 7.5 bar(e)-CE		
			GA160 10.4 bar(e)-CE				GA160+ 7.5 bar(e)-CE		
			GA90+ 13.8 bar(e)-CE				1	Basic parts	
			GA110+ 13.8 bar(e)-CE	1010	16174221 00	1	Heat exchanger		
			GA132+ 13.8 bar(e)-CE	1040	16170128 00	AR	Heat conducting pasta		
			GA160+ 13.8 bar(e)-CE	1060	10890574 14	1	Sensor temp.		
			GA90+ 14 bar(e)-CE	1080	16172008 00	2	Ring		
			GA110+ 14 bar(e)-CE	1220	0395 1010 05	AR	Insul. Tape		
			GA132+ 14 bar(e)-CE						

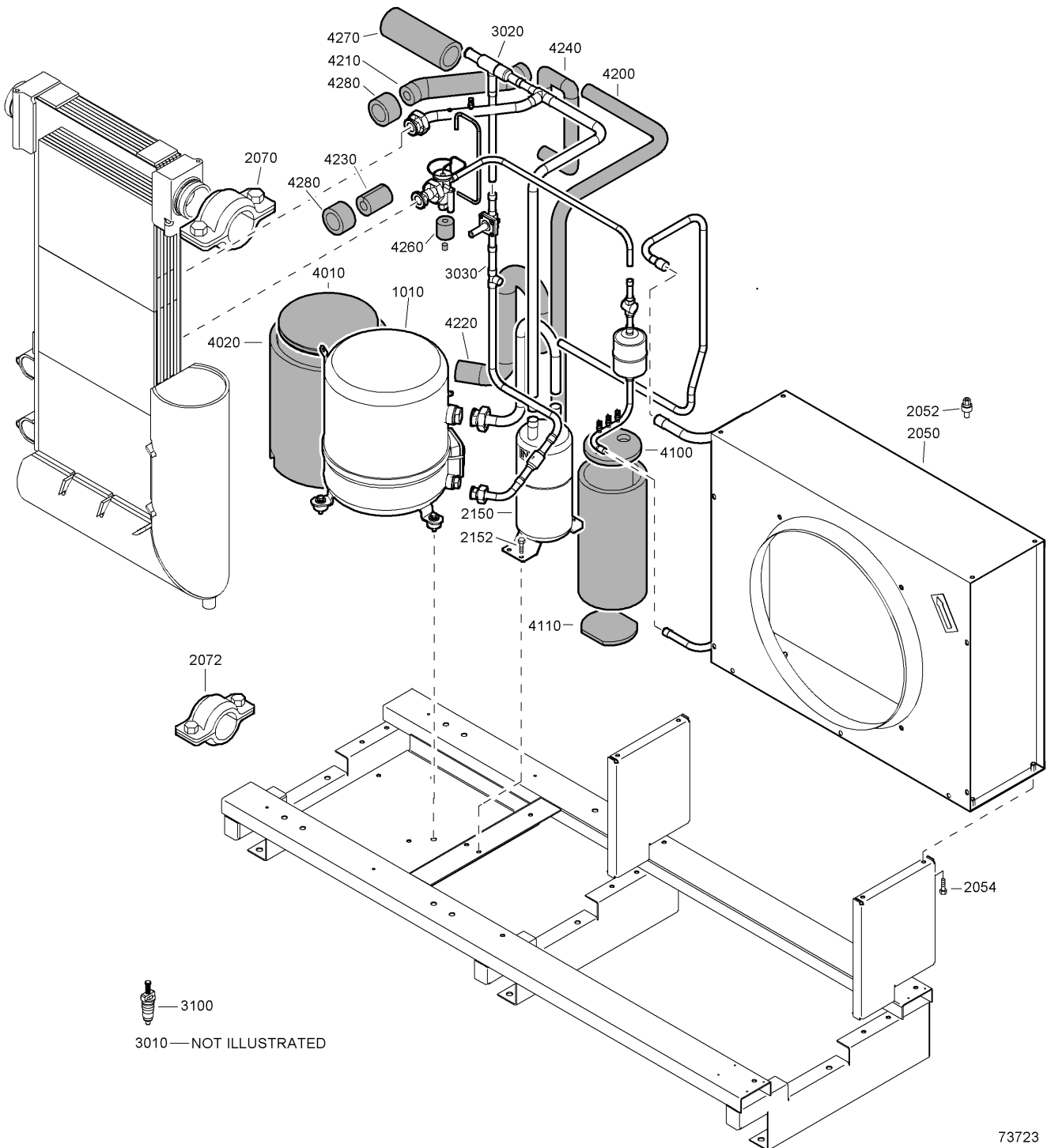
# 22



## Air dryer - Mechanical components - Air cooled

Ref.	Partnumber	Qty	Name	Remarks	Ref.	Partnumber	Qty	Name	Remarks
			440V 60Hz IEC					GA110+ 13.8 bar(e)	
			GA110 6.9 bar(e)					GA132+ 13.8 bar(e)	
			GA110 8.6 bar(e)					GA160+ 13.8 bar(e)	
			GA132 8.6 bar(e)					460V 60Hz CSA-UL	
			GA110 10.4 bar(e)					GA90+ 5.2 bar(e)	
			GA132 10.4 bar(e)					GA160 6.9 bar(e)	
			GA160 10.4 bar(e)					GA90+ 6.9 bar(e)	
			460V 60Hz CSA-UL					GA110+ 6.9 bar(e)	
			GA110 6.9 bar(e)					GA132+ 6.9 bar(e)	
			GA110 8.6 bar(e)					GA90+ 8.6 bar(e)	
			GA132 8.6 bar(e)					GA110+ 8.6 bar(e)	
			GA110 10.4 bar(e)					GA132+ 8.6 bar(e)	
			GA132 10.4 bar(e)					GA90+ 10.4 bar(e)	
			GA160 10.4 bar(e)					GA110+ 10.4 bar(e)	
1010	1614 7168 08	1	Compressor					GA132+ 10.4 bar(e)	
			380V 50Hz IEC					GA160+ 10.4 bar(e)	
			GA110 7.5 bar(e)					GA90+ 13.8 bar(e)	
			GA110 8.5 bar(e)					GA110+ 13.8 bar(e)	
			GA132 8.5 bar(e)					GA132+ 13.8 bar(e)	
			GA110 10 bar(e)					GA160+ 13.8 bar(e)	
			GA132 10 bar(e)					575V 60Hz CSA-UL	
			GA160 10 bar(e)					GA90+ 6.9 bar(e)	
			400V 50Hz IEC					GA110+ 6.9 bar(e)	
			GA110 7.5 bar(e)					GA90+ 8.6 bar(e)	
			GA110 8.5 bar(e)					GA110+ 8.6 bar(e)	
			GA132 8.5 bar(e)					GA132+ 8.6 bar(e)	
			GA110 10 bar(e)					GA90+ 10.4 bar(e)	
			GA132 10 bar(e)					GA110+ 10.4 bar(e)	
			GA160 10 bar(e)					GA132+ 10.4 bar(e)	
			525V 50Hz IEC					GA160+ 10.4 bar(e)	
			GA110 7.5 bar(e)					GA90+ 13.8 bar(e)	
			GA110 8.5 bar(e)					GA110+ 13.8 bar(e)	
			GA132 8.5 bar(e)					GA132+ 13.8 bar(e)	
			GA110 10 bar(e)					GA160+ 13.8 bar(e)	
			GA132 10 bar(e)		1010	1614 7168 13	1	Refrig.compressor	
			GA160 10 bar(e)					380V 50Hz IEC	
			550V 50Hz IEC					GA132 7.5 bar(e)	
			GA110 7.5 bar(e)					GA90+ 7.5 bar(e)	
			GA110 8.5 bar(e)					GA110+ 7.5 bar(e)	
			GA132 8.5 bar(e)					GA90+ 8.5 bar(e)	
			GA110 10 bar(e)					GA110+ 8.5 bar(e)	
			GA132 10 bar(e)					GA132+ 8.5 bar(e)	
			GA160 10 bar(e)					GA160 8.5 bar(e)	
			440V 60Hz IEC					GA90+ 10 bar(e)	
			GA132 7.5 bar(e)					GA110+ 10 bar(e)	
			GA160 8.6 bar(e)					GA132+ 10 bar(e)	
			440V 60Hz CSA-UL					GA160+ 10 bar(e)	
			GA 7.5 bar(e)					GA90+ 14 bar(e)	
			460V 60Hz CSA-UL					GA110+ 14 bar(e)	
			GA160 8.6 bar(e)					GA132+ 14 bar(e)	
1010	1614 7168 12	1	Refrig.compressor					GA160+ 14 bar(e)	
			440V 60Hz IEC					400V 50Hz IEC	
			GA90+ 5.2 bar(e)					GA132 7.5 bar(e)	
			GA160 6.9 bar(e)					GA90+ 7.5 bar(e)	
			GA90+ 6.9 bar(e)					GA110+ 7.5 bar(e)	
			GA110+ 6.9 bar(e)					GA90+ 8.5 bar(e)	
			GA132+ 6.9 bar(e)					GA110+ 8.5 bar(e)	
			GA90+ 8.6 bar(e)					GA132+ 8.5 bar(e)	
			GA110+ 8.6 bar(e)					GA160 / 200	
			GA132+ 8.6 bar(e)					GA90+ 10 bar(e)	
			GA90+ 10.4 bar(e)					GA110+ 10 bar(e)	
			GA110+ 10.4 bar(e)					GA132+ 10 bar(e)	
			GA132+ 10.4 bar(e)					GA160+ 10 bar(e)	
			GA160+ 10.4 bar(e)					GA90+ 14 bar(e)	
			GA90+ 13.8 bar(e)					GA110+ 14 bar(e)	

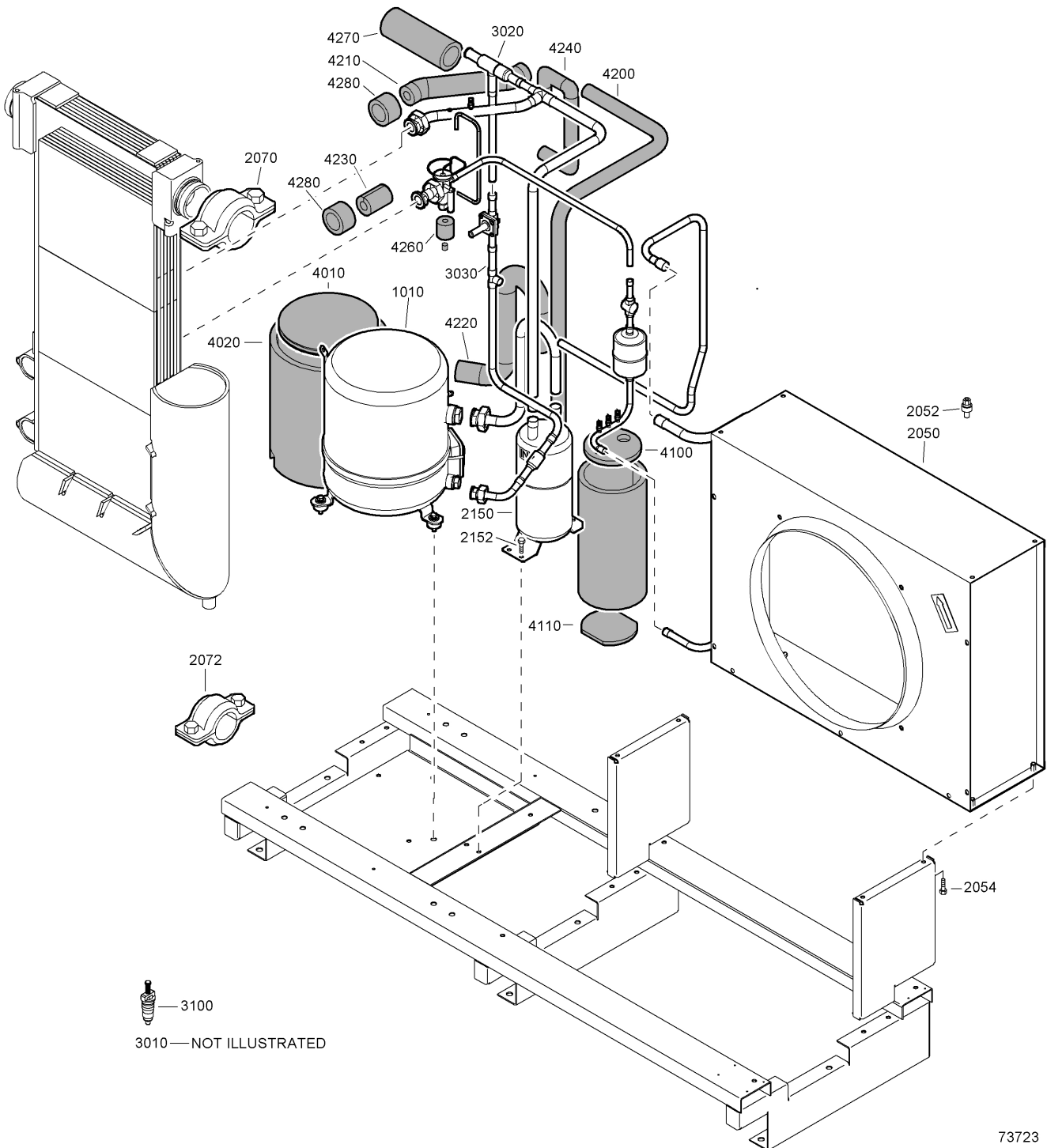
# 22



## Air dryer - Mechanical components - Air cooled

Ref.	Partnumber	Qty	Name	Remarks	Ref.	Partnumber	Qty	Name	Remarks
			GA132+ 14 bar(e)					GA160 7.5 bar(e)	
			GA160+ 14 bar(e)					GA132+ 7.5 bar(e)	
			500V 50Hz IEC					525V 50Hz IEC	
			GA132 7.5 bar(e)					GA90+ 5.5 bar(e)	
			GA90+ 7.5 bar(e)					GA160 7.5 bar(e)	
			GA110+ 7.5 bar(e)					GA132+ 7.5 bar(e)	
			GA90+ 8.5 bar(e)					550V 50Hz IEC	
			GA110+ 8.5 bar(e)					GA90+ 5.5 bar(e)	
			GA132+ 8.5 bar(e)					GA160 7.5 bar(e)	
			GA160 8.5 bar(e)					GA132+ 7.5 bar(e)	
			GA90+ 10 bar(e)		1010	1619 7674 19	1	Refrig.compressor	
			GA110+ 10 bar(e)					380V 50Hz IEC	
			GA132+ 10 bar(e)					GA110+ 5.5 bar(e)	
			GA160+ 10 bar(e)					GA160+ 7.5 bar(e)	
			GA90+ 14 bar(e)					400V 50Hz IEC	
			GA110+ 14 bar(e)					GA110+ 5.5 bar(e)	
			GA132+ 14 bar(e)					GA160+ 7.5 bar(e)	
			GA160+ 14 bar(e)					500V 50Hz IEC	
			525V 50Hz IEC					GA110+ 5.5 bar(e)	
			GA132 7.5 bar(e)					GA160+ 7.5 bar(e)	
			GA90+ 7.5 bar(e)					525V 50Hz IEC	
			GA110+ 7.5 bar(e)					GA110+ 5.5 bar(e)	
			GA90+ 8.5 bar(e)					GA160+ 7.5 bar(e)	
			GA110+ 8.5 bar(e)					550V 50Hz IEC	
			GA132+ 8.5 bar(e)					GA110+ 5.5 bar(e)	
			GA160 8.5 bar(e)					GA160+ 7.5 bar(e)	
			GA90+ 10 bar(e)					440V 60Hz IEC	
			GA110+ 10 bar(e)					GA110+ 5.2 bar(e)	
			GA132+ 10 bar(e)					GA132+ 5.2 bar(e)	
			GA160+ 10 bar(e)					460V 60Hz CSA-UL	
			GA90+ 14 bar(e)					GA132+ 5.2 bar(e)	
			GA110+ 14 bar(e)		1010	1617 3856 00	1	GA110+ 5.2 bar(e)	
			GA132+ 14 bar(e)					Compressor	
			GA160+ 14 bar(e)					575V 60Hz CSA-UL	
			550V 50Hz IEC					GA160 5.2 bar(e)	
			GA132 7.5 bar(e)					GA110 6.9 bar(e)	
			GA90+ 7.5 bar(e)					GA110 8.6 bar(e)	
			GA110+ 7.5 bar(e)					GA132 8.6 bar(e)	
			GA90+ 8.5 bar(e)					GA110 10.4 bar(e)	
			GA110+ 8.5 bar(e)					GA132 10.4 bar(e)	
			GA132+ 8.5 bar(e)		1010	1614 7168 22	1	Compressor	
			GA160 8.5 bar(e)					500V 50Hz IEC	
			GA90+ 10 bar(e)					GA110 7.5 bar(e)	
			GA110+ 10 bar(e)					GA110 8.5 bar(e)	
			GA132+ 10 bar(e)					GA132 8.5 bar(e)	
			GA160+ 10 bar(e)					GA110 10 bar(e)	
			GA90+ 14 bar(e)					GA132 10 bar(e)	
			GA110+ 14 bar(e)					GA160 10 bar(e)	
			GA132+ 14 bar(e)					575V 60Hz CSA-UL	
			GA160+ 14 bar(e)					GA132 6.9 bar(e)	
			440V 60Hz IEC					GA160 8.6 bar(e)	
			GA160+ 6.9 bar(e)		1010	1614 7168 19	1	Refrigerant compressor	
			460V 60Hz CSA-UL					575V 60Hz CSA-UL	
			GA160+ 6.9 bar(e)					GA90+ 5.2 bar(e)	
1010	1619 7674 15	1	Refrig.compressor					GA160 6.9 bar(e)	
			380V 50Hz IEC					GA132+ 6.9 bar(e)	
			GA90+ 5.5 bar(e)		1010	1614 7168 20	1	Refrig.compressor	
			GA160 7.5 bar(e)					380V 50Hz IEC	
			GA132+ 7.5 bar(e)					GA110 6.9 bar(e)	
			400V 50Hz IEC					GA110 8.6 bar(e)	
			GA90+ 5.5 bar(e)					GA132 8.6 bar(e)	
			GA160 7.5 bar(e)					GA110 10.4 bar(e)	
			GA132+ 7.5 bar(e)					GA132 10.4 bar(e)	
			500V 50Hz IEC					380V 60Hz IEC	
			GA90+ 5.5 bar(e)					GA160 10.4 bar(e)	

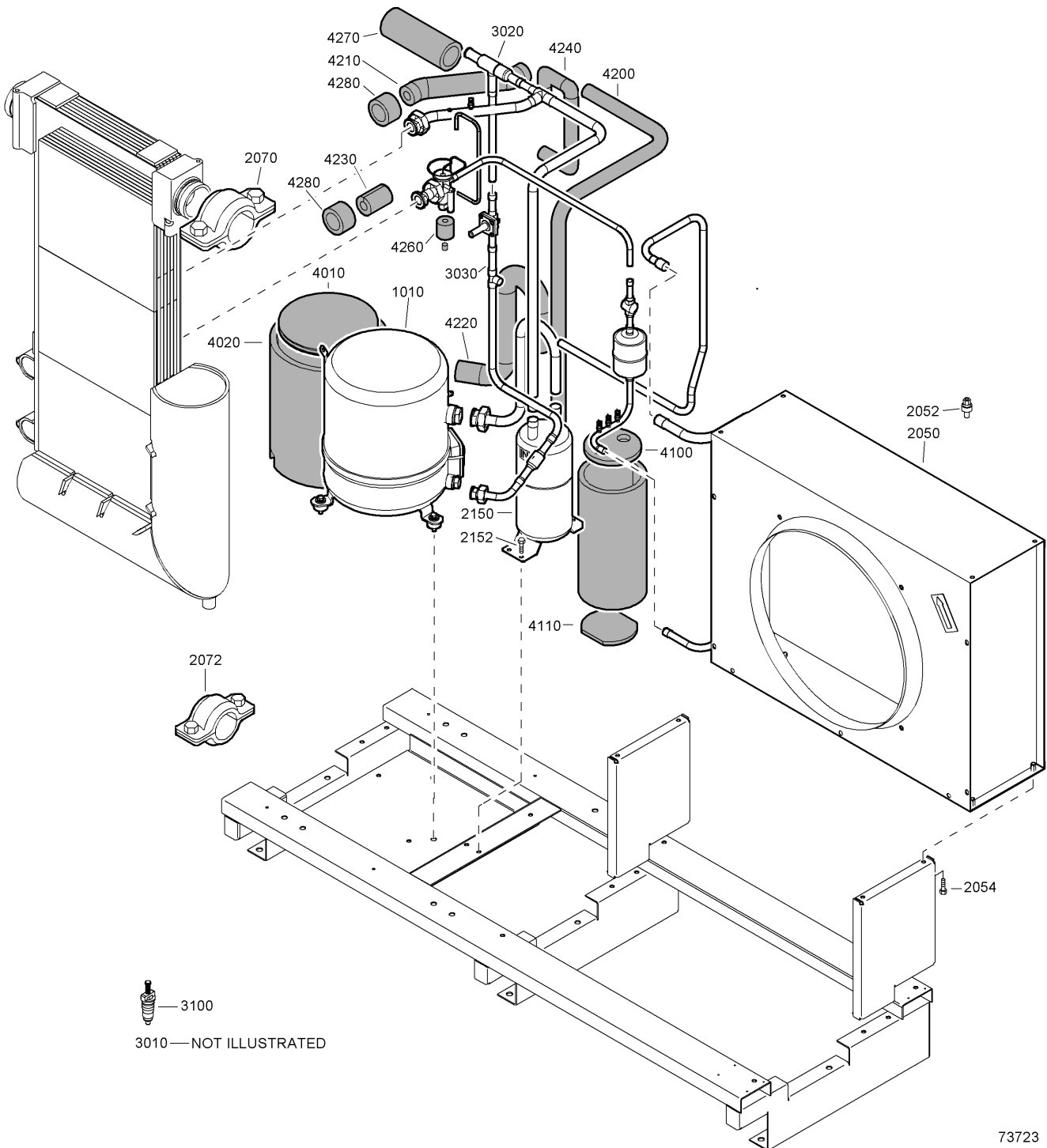
# 22



## Air dryer - Mechanical components - Air cooled

Ref.	Partnumber	Qty	Name	Remarks	Ref.	Partnumber	Qty	Name	Remarks	
1010	1614716821	1	Compressor 380V 60Hz IEC GA132 6.9 bar(e) GA160 8.6 bar(e)					<b>GA160</b>		
					2050	1617421400	1	Condenser		
					2052	1089071701	1	Sensor press		
					2054	1619276600	4	Bolt		
1010	1614716817	1	Refrig.compressor 380V 60Hz IEC GA90+ 5.2 bar(e) GA160 6.9 bar(e) GA90+ 6.9 bar(e) GA110+ 6.9 bar(e) GA132+ 6.9 bar(e) GA90+ 8.6 bar(e) GA110+ 8.6 bar(e) GA132+ 8.6 bar(e) GA90+ 10.4 bar(e) GA110+ 10.4 bar(e) GA132+ 10.4 bar(e) GA160+ 10.4 bar(e) GA90+ 13.8 bar(e) GA110+ 13.8 bar(e) GA132+ 13.8 bar(e) GA160+ 13.8 bar(e)						Victaulic coupling Victaulic coupling Separator Bolt <b>460V 60Hz CSA-UL</b> <b>GA132</b> <b>GA160</b>	
					2050	1617421400	1	Condenser		
					2052	1089071701	1	Sensor press		
					2054	1619276600	4	Bolt		
					2070	0634100152	1	Victaulic coupling		
					2072	0634100056	1	Victaulic coupling		
					2150	1617388700	1	Separator		
					2152	1619276600	3	Bolt		
								<b>GA132</b>		
								<b>GA160</b>		
1010	1614716818	1	Refrig.compressor 380V 60Hz IEC GA160+ 6.9 bar(e)		2050	1617421400	1	Condenser		
					2052	1089071701	1	Sensor press		
					2054	1619276600	4	Bolt		
					2070	0634100152	1	Victaulic coupling		
					2072	0634100056	1	Victaulic coupling		
1010	1619767417	1	Refrig.compressor 380V 60Hz IEC GA132+ 5.5 bar(e) 400V 50Hz IEC GA132+ 5.5 bar(e) 525V 50Hz IEC GA132+ 5.5 bar(e) 550V 50Hz IEC GA132+ 5.5 bar(e)		2150	1617388700	1	Separator		
					2152	1619276600	3	Bolt		
								<b>GA110 6.9 bar(e)</b>		
								<b>GA110 7.5 bar(e)</b>		
								<b>GA110 8.5 bar(e)</b>		
								<b>GA132 8.5 bar(e)</b>		
								<b>GA110 8.6 bar(e)</b>		
								<b>GA132 8.6 bar(e)</b>		
								<b>GA110 10 bar(e)</b>		
								<b>GA132 10 bar(e)</b>		
								<b>GA160 10 bar(e)</b>		
								<b>GA110 10.4 bar(e)</b>		
								<b>GA132 10.4 bar(e)</b>		
								<b>GA160 10.4 bar(e)</b>		
1010	1617091905	1	Refrig.compressor 380V 60Hz IEC GA110+ 5.2 bar(e) GA132+ 5.2 bar(e)		2050	1617422700	1	Condenser		
					2052	1089071701	1	Sensor press		
					2054	1619276600	4	Bolt		
					2070	0634100154	1	Coupling		
					2072	0634100152	1	Victaulic coupling		
1010	1617091908	1	Refrig.compressor GA110+ 5.2 bar(e) GA132+ 5.2 bar(e) GA132+ 5.5 bar(e)		2150	1617388700	1	Separator		
					2152	1619276600	3	Bolt		
								<b>GA132 6.9 bar(e)</b>		
								<b>GA160 8.5 bar(e)</b>		
								<b>GA160 8.6 bar(e)</b>		
2050	1617421400	1	Condenser		2050	1617422700	1	Condenser		
2052	1089071701	1	Sensor press		2052	1089071701	1	Sensor press		
2054	1619276600	4	Bolt		2054	1619276600	4	Bolt		
2070	0634100152	1	Victaulic coupling		2070	0634100152	1	Victaulic coupling		
2072	0634100056	1	Victaulic coupling		2072	0634100056	1	Victaulic coupling		
2150	1617388700	1	Separator		2150	1617388700	1	Separator		
2152	1619276600	3	Bolt		2152	1619276600	3	Bolt		
			<b>380V 60Hz IEC</b>					<b>GA160 6.9 bar(e)</b>		
			<b>GA132</b>					<b>GA160 8.5 bar(e)</b>		
2050	1617421400	1	Condenser		2050	1617422800	1	Condenser		
2052	1089071701	1	Sensor press		2052	1089071701	1	Sensor press		
2054	1619276600	4	Bolt		2054	1619276600	4	Bolt		
2070	0634100152	1	Victaulic coupling		2070	0634100152	1	Victaulic coupling		
2072	0634100056	1	Victaulic coupling		2072	0634100056	1	Victaulic coupling		
2150	1617388700	1	Separator		2150	1617388700	1	Separator		
2152	1619276600	3	Bolt		2152	1619276600	3	Bolt		
			<b>GA132</b>					<b>GA90+</b>		

# 22



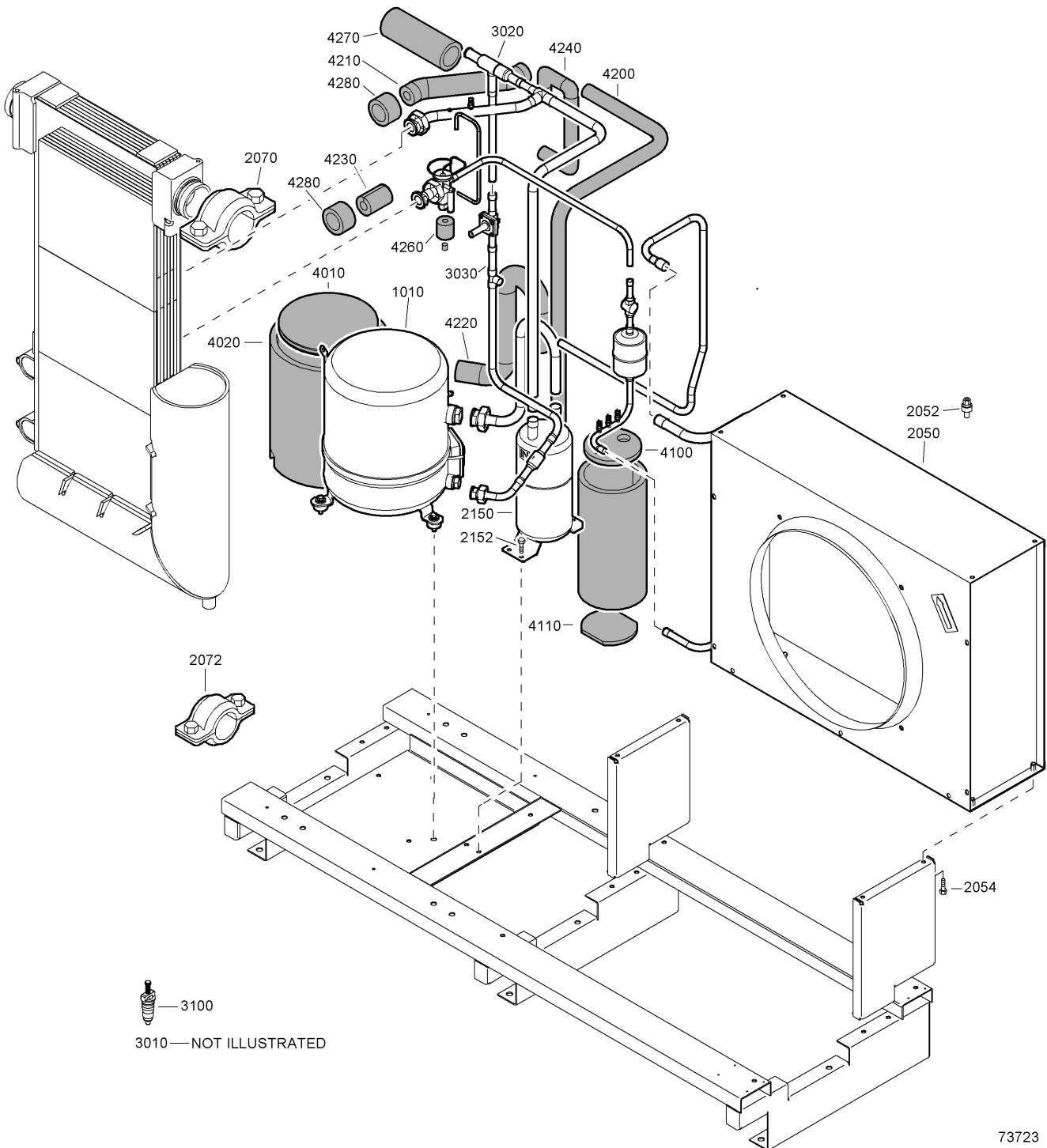


## Air dryer - Mechanical components - Air cooled

22

Ref.	Partnumber	Qty	Name	Remarks	Ref.	Partnumber	Qty	Name	Remarks
			<b>GA110+</b>		2050	1617421400	1	Condenser	
			<b>GA90+ 6.9 bar(e)</b>		2052	1089071701	1	Sensor press	
			<b>GA110+ 6.9 bar(e)</b>		2054	1619276600	4	Bolt	
			<b>GA90+ 8.5 bar(e)</b>		2070	0634100152	1	Victaulic coupling	
			<b>GA110+ 8.5 bar(e)</b>		2072	0634100056	1	Victaulic coupling	
			<b>GA132+ 8.5 bar(e)</b>		2150	1617388700	1	Separator	
			<b>GA90+ 8.6 bar(e)</b>		2152	1619276600	3	Bolt	
			<b>GA110+ 8.6 bar(e)</b>					<b>GA132</b>	
			<b>GA132+ 8.6 bar(e)</b>					<b>GA160</b>	
			<b>GA90+ 10 bar(e)</b>					<b>525V 50 Hz IEC</b>	
			<b>GA110+ 10 bar(e)</b>					<b>GA132</b>	
			<b>GA132+ 10 bar(e)</b>					<b>GA160</b>	
			<b>GA160+ 10 bar(e)</b>					<b>550V 50 Hz IEC</b>	
			<b>GA90+ 10.4 bar(e)</b>					<b>GA132</b>	
			<b>GA110+ 10.4 bar(e)</b>					<b>GA160</b>	
			<b>GA132+ 10.4 bar(e)</b>		2050	1617421400	1	Condenser	
			<b>GA160+ 10.4 bar(e)</b>		2052	1089071701	1	Sensor press	
			<b>GA90+ 13.8 bar(e)</b>		2054	1619276600	4	Bolt	
			<b>GA110+ 13.8 bar(e)</b>		2070	0634100152	1	Victaulic coupling	
			<b>GA132+ 13.8 bar(e)</b>		2072	0634100056	1	Victaulic coupling	
			<b>GA160+ 13.8 bar(e)</b>		2150	1617388700	1	Separator	
			<b>GA90+ 14 bar(e)</b>		2152	1619276600	3	Bolt	
			<b>GA110+ 14 bar(e)</b>					<b>GA110 6.9 bar(e)</b>	
			<b>GA132+ 14 bar(e)</b>					<b>GA110 7.5 bar(e)</b>	
			<b>GA160+ 14 bar(e)</b>					<b>GA110 8.5 bar(e)</b>	
2050	1617422900	1	Condenser					<b>GA132 8.5 bar(e)</b>	
2052	1089071701	1	Sensor press					<b>GA110 8.6 bar(e)</b>	
2054	1619276600	4	Bolt					<b>GA132 8.6 bar(e)</b>	
2070	0634100154	1	Coupling					<b>GA110 10 bar(e)</b>	
2072	0634100152	1	Victaulic coupling					<b>GA132 10 bar(e)</b>	
2150	1617388700	1	Separator					<b>GA110 10.4 bar(e)</b>	
2152	1619276600	3	Bolt					<b>GA132 10.4 bar(e)</b>	
			<b>GA132+</b>					<b>GA160 10.4 bar(e)</b>	
			<b>GA90+ 5.2 bar(e)</b>					<b>GA160 10.4 bar(e)</b>	
			<b>GA90+ 5.5 bar(e)</b>		3010	1609000881	1	Pipe assy	
			<b>GA132+ 6.9 bar(e)</b>			1617424800	1	Pipe	
2050	1617437500	1	Condenser			1627759580	1	Pipe	
2052	1089071701	1	Sensor press		3020	1627759480	1	Pipe	
2054	1619276600	4	Bolt			1617047600	1	Nut	
2070	0634100152	1	Victaulic coupling			1617048800	1	Sleeve	
2072	0634100056	1	Victaulic coupling			1617152403	1	Valve	
2150	1617388700	1	Separator			1619556307	1	Valve	
2152	1619276600	3	Bolt		3030	1627758980	1	Pipe	
			<b>GA160+</b>			1617031400	1	Nut	
			<b>GA110+ 5.5 bar(e)</b>			1617038600	1	Sleeve	
2050	1617421500	1	Condenser			1617428400	1	Non return valve	
2052	1089071701	1	Sensor press			1627746800	1	Valve	
2054	1619276600	4	Bolt		3100		1	Valve check	
2070	0634100152	1	Victaulic coupling			1617468200	1	Valve core	
2072	0634100056	1	Victaulic coupling			1617468200	1	Valve core	
2150	1617388700	1	Separator			1617468200	1	Valve core	
2152	1619276600	3	Bolt			1617468200	1	Valve core	
			<b>380V 50 Hz IEC</b>					<b>GA132 / 175</b>	
			<b>GA132</b>					<b>GA132 6.9 bar(e)</b>	
			<b>GA160</b>					<b>GA160 8.5 bar(e)</b>	
2050	1617421400	1	Condenser		3010	1609000882	1	Pipe assy	
2052	1089071701	1	Sensor press			1617424800	1	Pipe	
2054	1619276600	4	Bolt			1627759580	1	Pipe	
2070	0634100152	1	Victaulic coupling		3020	1627760280	1	Pipe	
2072	0634100056	1	Victaulic coupling			1617047600	1	Nut	
2150	1617388700	1	Separator			1617048800	1	Sleeve	
2152	1619276600	3	Bolt			1617152403	1	Valve	
			<b>400V 50 Hz IEC</b>			1619556307	1	Valve	
			<b>GA132</b>						
			<b>GA160</b>						

# 22

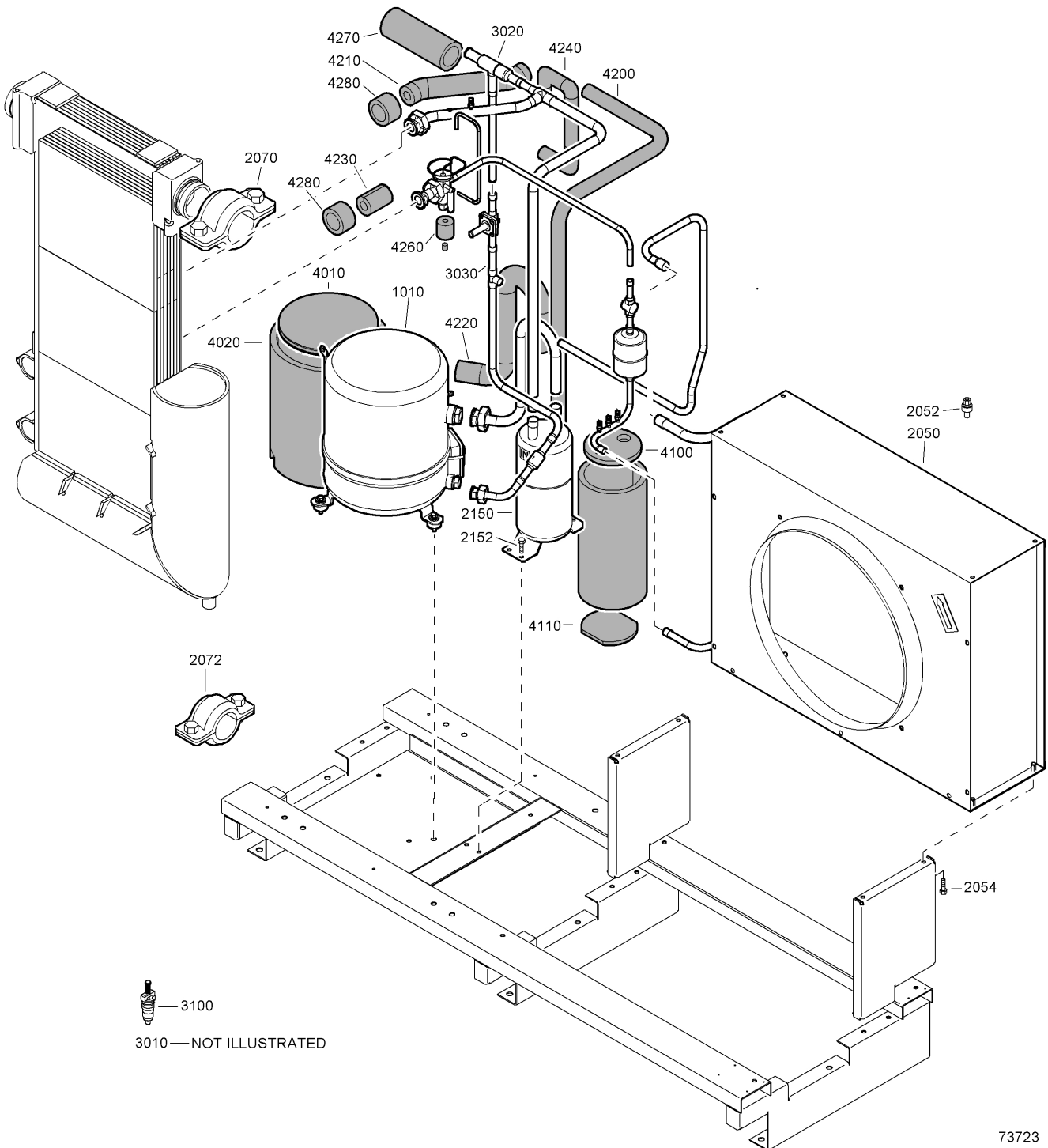


3100 — NOT ILLUSTRATED

## Air dryer - Mechanical components - Air cooled

Ref.	Part number	Qty	Name	Remarks	Ref.	Part number	Qty	Name	Remarks
3030	1627 7589 80	1	Pipe		3030	1627 7589 80	1	Pipe	
	1617031400	1	Nut			1617031400	1	Nut	
	1617038600	1	Sleeve			1617038600	1	Sleeve	
	1617428400	1	Non return valve			1617428400	1	Non return valve	
	1627746800	1	Valve			1627746800	1	Valve	
3100		1	Valve check		3100		1	Valve check	
	1617468200	1	Valve core			1617468200	1	Valve core	
	1617468200	1	Valve core			1617468200	1	Valve core	
	1617468200	1	Valve core			1617468200	1	Valve core	
	1617468200	1	Valve core			1617468200	1	Valve core	
			<b>GA160 / 200</b>					<b>GA132+</b>	
			<b>GA160 6.9 bar(e)</b>					<b>GA90+ 5.2 bar(e)</b>	
3010	1609 0008 83	1	Pipe assy					<b>GA90+ 5.5 bar(e)</b>	
	1617424800	1	Pipe					<b>GA132+ 6.9 bar(e)</b>	
	1627737180	1	Pipe		3010	1609 0008 85	1	Pipe assy	
3030	1627 7604 80	1	Pipe			1617424800	1	Pipe	
	1617047600	1	Nut			1627760180	1	Pipe	
	1617048800	1	Sleeve		3020	1627 7602 80	1	Pipe	
	1617152403	1	Valve			1617047600	1	Nut	
	1619556307	1	Valve			1617048800	1	Sleeve	
3020	1627 7589 80	1	Pipe			1617152403	1	Valve	
	1617031400	1	Nut			1619556307	1	Valve	
	1617038600	1	Sleeve		3030	1627 7589 80	1	Pipe	
	1617428400	1	Non return valve			1617031400	1	Nut	
	1627746800	1	Valve			1617038600	1	Sleeve	
3100		1	Valve check			1617428400	1	Non return valve	
	1617468200	1	Valve core			1627746800	1	Valve	
	1617468200	1	Valve core		3100		1	Valve check	
	1617468200	1	Valve core			1617468200	1	Valve core	
	1617468200	1	Valve core			1617468200	1	Valve core	
			<b>GA90+</b>			1617468200	1	Valve core	
			<b>GA110+</b>			1617468200	1	Valve core	
			<b>GA90+ 6.9 bar(e)</b>					<b>GA160+</b>	
			<b>GA110+ 6.9 bar(e)</b>					<b>GA110+ 5.5 bar(e)</b>	
			<b>GA90+ 8.5 bar(e)</b>		3010	1609 0008 86	1	Pipeassy	
			<b>GA110+ 8.5 bar(e)</b>			1617424800	1	Pipe	
			<b>GA132+ 8.5 bar(e)</b>			1627737080	1	Pipe	
			<b>GA90+ 8.6 bar(e)</b>		3020	1627 7604 80	1	Pipe	
			<b>GA110+ 8.6 bar(e)</b>			1617047600	1	Nut	
			<b>GA132+ 8.6 bar(e)</b>			1617048800	1	Sleeve	
			<b>GA90+ 10 bar(e)</b>			1617152403	1	Valve	
			<b>GA110+ 10 bar(e)</b>			1619556307	1	Valve	
			<b>GA132+ 10 bar(e)</b>		3030	1627 7589 80	1	Pipe	
			<b>GA160+ 10 bar(e)</b>			1617031400	1	Nut	
			<b>GA90+ 10.4 bar(e)</b>			1617038600	1	Sleeve	
			<b>GA110+ 10.4 bar(e)</b>			1617428400	1	Non return valve	
			<b>GA132+ 10.4 bar(e)</b>			1627746800	1	Valve	
			<b>GA160+ 10.4 bar(e)</b>		3100		1	Valve check	
			<b>GA90+ 13.8 bar(e)</b>			1617468200	1	Valve core	
			<b>GA110+ 13.8 bar(e)</b>			1617468200	1	Valve core	
			<b>GA132+ 13.8 bar(e)</b>			1617468200	1	Valve core	
			<b>GA160+ 13.8 bar(e)</b>			1617468200	1	Valve core	
			<b>GA90+ 14 bar(e)</b>					<b>GA132</b>	
			<b>GA110+ 14 bar(e)</b>					<b>GA160</b>	
			<b>GA132+ 14 bar(e)</b>		3010	1609 0008 87	1	Pipe assy	
			<b>GA160+ 14 bar(e)</b>			1617424800	1	Pipe	
3010	1609 0008 84	1	Pipe assy			1627760580	1	Pipe	
	1617424800	1	Pipe		3020	1627 7608 80	1	Pipe	
	1627759280	1	Pipe			1617047600	1	Nut	
3020	1627 7594 80	1	Pipe			1617048800	1	Sleeve	
	1617047600	1	Nut			1617152403	1	Valve	
	1617048800	1	Sleeve			1619556307	1	Valve	
	1617152403	1	Valve		3030	1627 7607 80	1	Pipe	
	1619556307	1	Valve			1617031400	1	Nut	

# 22

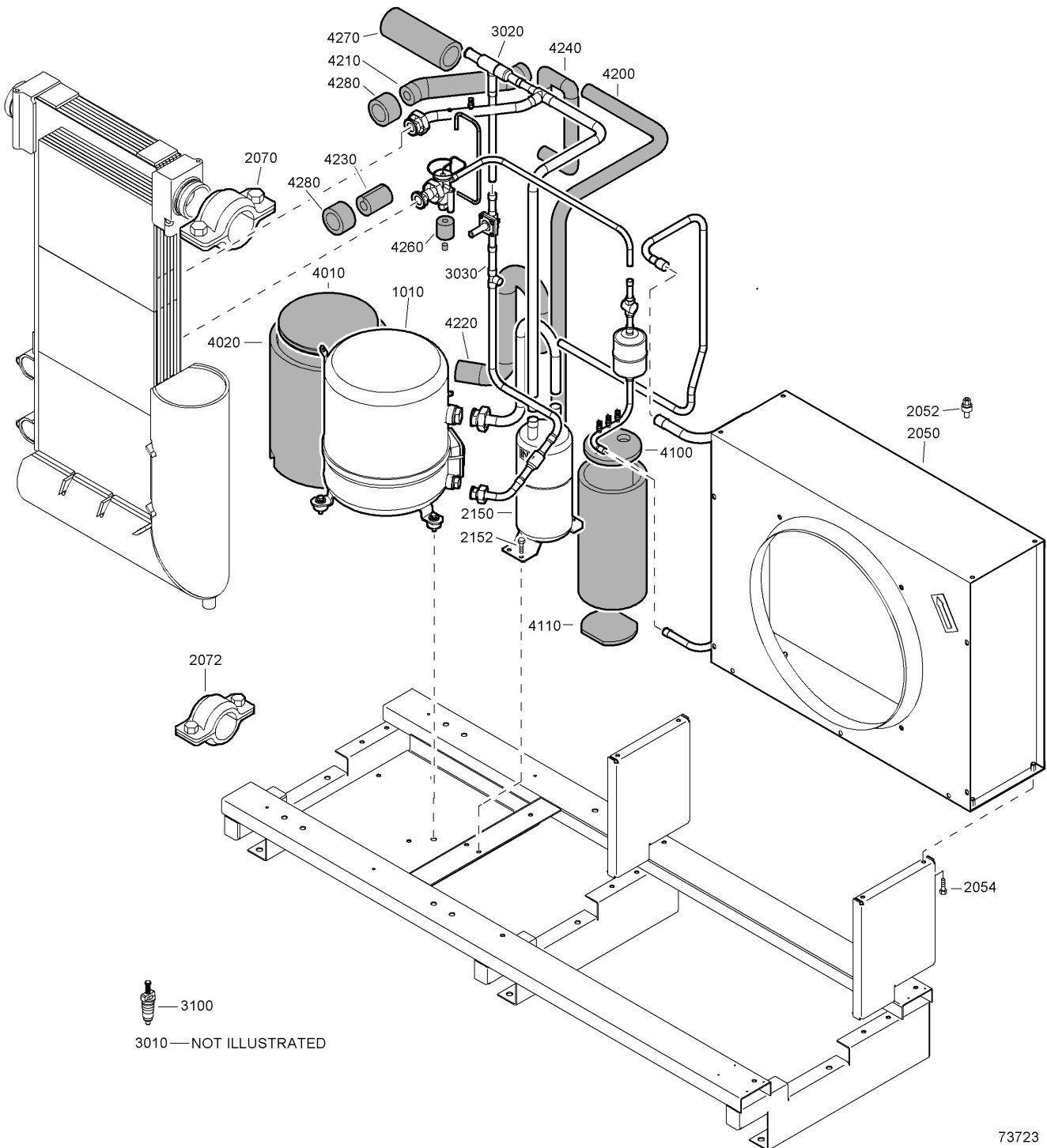


## Air dryer - Mechanical components - Air cooled

22

Ref.	Partnumber	Qty	Name	Remarks	Ref.	Partnumber	Qty	Name	Remarks
	1617 0386 00	1	Sleeve					GA110+ 7.5 bar(e)	
	1617 4284 00	1	Non return valve					GA132 7.5 bar(e)	
	1627 7468 00	1	Valve					GA132+ 7.5 bar(e)	
<b>3100</b>		<b>1</b>	<b>Valve check</b>					GA160 7.5 bar(e)	
	1617 4682 00	1	Valve core					GA90+ 8.5 bar(e)	
	1617 4682 00	1	Valve core					GA110 8.5 bar(e)	
	1617 4682 00	1	Valve core					GA110+ 8.5 bar(e)	
	1617 4682 00	1	Valve core					GA132 8.5 bar(e)	
			<b>60Hz</b>					GA132+ 8.5 bar(e)	
			<b>GA110+ 5.2 bar(e)</b>					GA132 8.5 bar(e)	
			<b>GA132+ 5.2 bar(e)</b>					GA160 8.5 bar(e)	
			<b>GA132+ 5.5 bar(e)</b>					GA160 8.5 bar(e)	
<b>3010</b>	<b>1609 0008 88</b>	<b>1</b>	<b>Pipe assy</b>					GA90+ 8.6 bar(e)	
	1617 4248 00	1	Pipe					GA110 8.6 bar(e)	
	1627 7605 80	1	Pipe					GA110+ 8.6 bar(e)	
<b>3020</b>	<b>1627 7604 80</b>	<b>1</b>	<b>Pipe</b>					GA132 8.6 bar(e)	
	1617 0476 00	1	Nut					GA132+ 8.6 bar(e)	
	1617 0488 00	1	Sleeve					GA132 8.6 bar(e)	
	1617 1524 03	1	Valve					GA160 8.6 bar(e)	
	1619 5563 07	1	Valve					GA160 8.6 bar(e)	
<b>3030</b>	<b>1627 7589 80</b>	<b>1</b>	<b>Pipe</b>					GA90+ 10 bar(e)	
	1617 0314 00	1	Nut					GA110 10 bar(e)	
	1617 0386 00	1	Sleeve					GA110+ 10 bar(e)	
	1617 4284 00	1	Non return valve					GA132 10 bar(e)	
	1627 7468 00	1	Valve					GA132+ 10 bar(e)	
<b>3100</b>		<b>1</b>	<b>Valve check</b>					GA132 10 bar(e)	
	1617 4682 00	1	Valve core					GA160 10 bar(e)	
	1617 4682 00	1	Valve core					GA160+ 10 bar(e)	
	1617 4682 00	1	Valve core					GA160 10 bar(e)	
	1617 4682 00	1	Valve core					GA90+ 10.4 bar(e)	
			<b>50Hz</b>					GA110 10.4 bar(e)	
			<b>GA110+ 5.2 bar(e)</b>					GA110+ 10.4 bar(e)	
			<b>GA132+ 5.2 bar(e)</b>					GA132 10.4 bar(e)	
			<b>GA132+ 5.5 bar(e)</b>					GA132+ 10.4 bar(e)	
<b>3010</b>	<b>1609 0009 11</b>	<b>1</b>	<b>Pipe assy</b>					GA132 10.4 bar(e)	
	1617 4248 00	1	Pipe					GA160 10.4 bar(e)	
	1627 7605 80	1	Pipe					GA160+ 10.4 bar(e)	
<b>3020</b>	<b>1627 7606 80</b>	<b>1</b>	<b>Pipe</b>					GA160 10.4 bar(e)	
	1617 0314 00	1	Nut					GA90+ 13.8 bar(e)	
	1617 0386 00	1	Sleeve					GA110+ 13.8 bar(e)	
	1617 4284 00	1	Non return valve					GA132+ 13.8 bar(e)	
	1627 7468 00	1	Valve					GA132 13.8 bar(e)	
<b>3030</b>	<b>1627 7604 80</b>	<b>1</b>	<b>Pipe</b>					GA160+ 13.8 bar(e)	
	1617 0476 00	1	Nut					GA160 13.8 bar(e)	
	1617 0488 00	1	Sleeve					GA90+ 14 bar(e)	
	1617 1524 03	1	Valve					GA110+ 14 bar(e)	
	1619 5563 07	1	Valve					GA132+ 14 bar(e)	
<b>3100</b>		<b>1</b>	<b>Valve check</b>					GA132 14 bar(e)	
	1617 4682 00	1	Valve core					GA160+ 14 bar(e)	
	1617 4682 00	1	Valve core					GA160 14 bar(e)	
	1617 4682 00	1	Valve core						
	1617 4682 00	1	Valve core						
			<b>60 Hz</b>						
			<b>50 Hz</b>						
			<b>GA90+ 5.2 bar(e)</b>						
			<b>GA90+ 5.5 bar(e)</b>						
			<b>GA110+ 5.5 bar(e)</b>						
			<b>GA90+ 6.9 bar(e)</b>						
			<b>GA110 6.9 bar(e)</b>						
			<b>GA110+ 6.9 bar(e)</b>						
			<b>GA132 6.9 bar(e)</b>						
			<b>GA132+ 6.9 bar(e)</b>						
			<b>GA160 6.9 bar(e)</b>						
			<b>GA90+ 7.5 bar(e)</b>						
			<b>GA110 7.5 bar(e)</b>						
					4010	1617 1493 00	1	Insulation	
					4020	1617 1492 00	1	Insulation	
					4100	1617 2584 80	1	Insulation	
					4110	1617 4449 00	1	Insulation	
					4200	1617 4361 00	1	Insulation	
					4210	1617 4362 00	1	Insulation	
					4220	1617 4363 00	1	Insulation	
					4230	1617 4364 00	1	Insulation	
					4240	1617 4366 00	1	Insulation	
					<b>4260</b>		<b>1</b>	<b>Insulation assy</b>	
						1617 2235 01	1	Insulation hose	
						1617 0219 00	1	Insul.plate	
					4270	1617 4788 00	1	Insulation	
					4280	1617 4458 00	2	Insulation	
						1617 8639 00	1	Insulation	

# 22

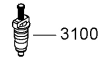


## Air dryer - Mechanical components - Air cooled

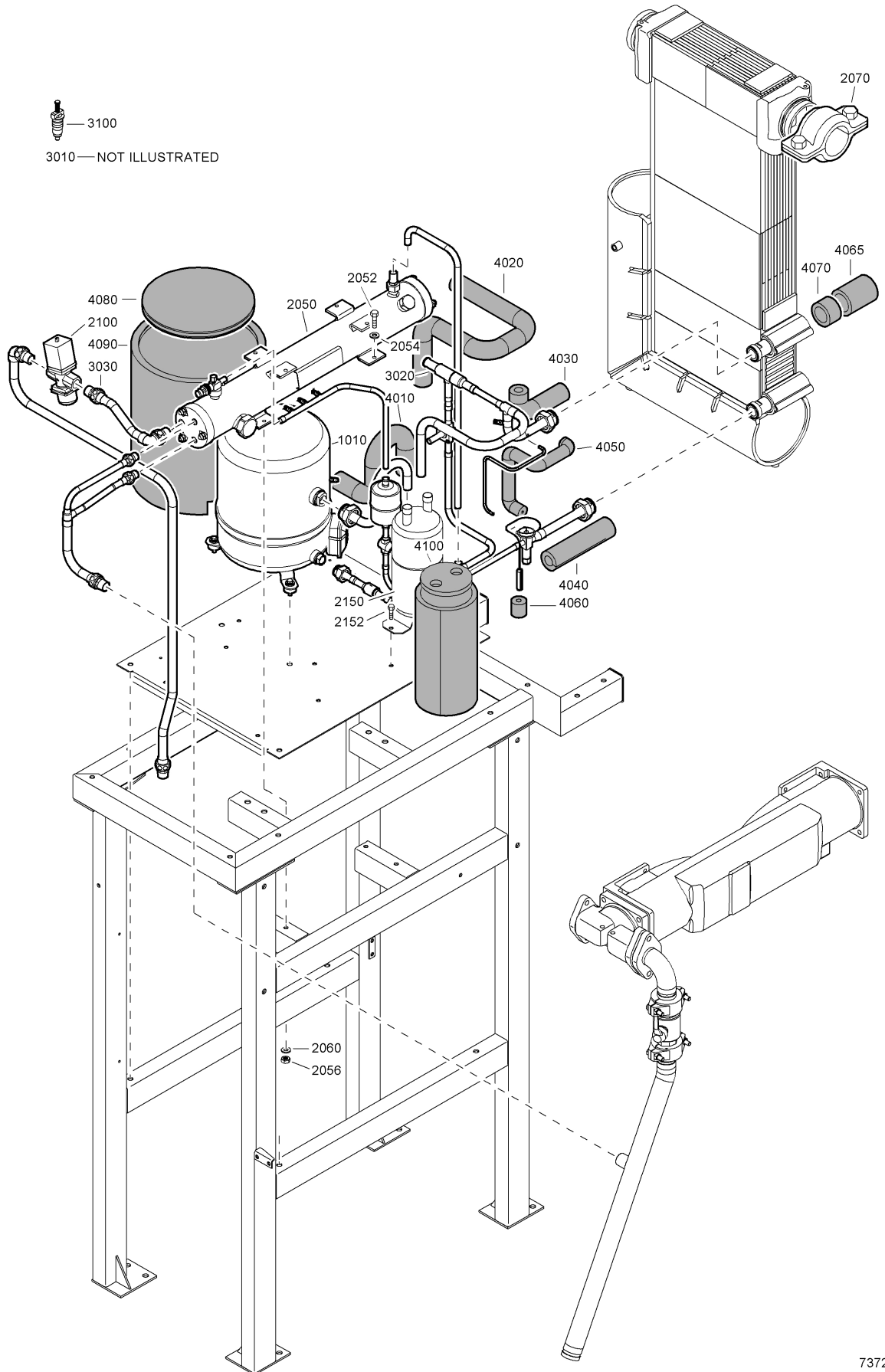
22

Ref.	Part number	Qty	Name	Remarks	Ref.	Part number	Qty	Name	Remarks
			<b>50 Hz</b>		4210	1617 4362 00	1	Insulation	
			<b>GA110+ 5.2 bar(e)</b>		4220	1617 8770 00	1	Insulation	
			<b>GA132+ 5.2 bar(e)</b>		4230	1617 4364 00	1	Insulation	
			<b>GA132+ 5.5 bar(e)</b>		4240	1617 4366 00	1	Insulation	
4010	1617 3497 00	1	Insulation		<b>4260</b>		<b>1</b>	<b>Insulation assy</b>	
4020	1617 3496 00	1	Insulation			1617 2235 01	1	Insulation hose	
4100	1617 2584 80	1	Insulation			1617 0219 00	1	Insul.plate	
4110	1617 4449 00	1	Insulation		4280	1617 4458 00	2	Insulation	
4200	1617 4361 00	1	Insulation			1617 8769 00	1	Insulation	

# 23



3010 — NOT ILLUSTRATED

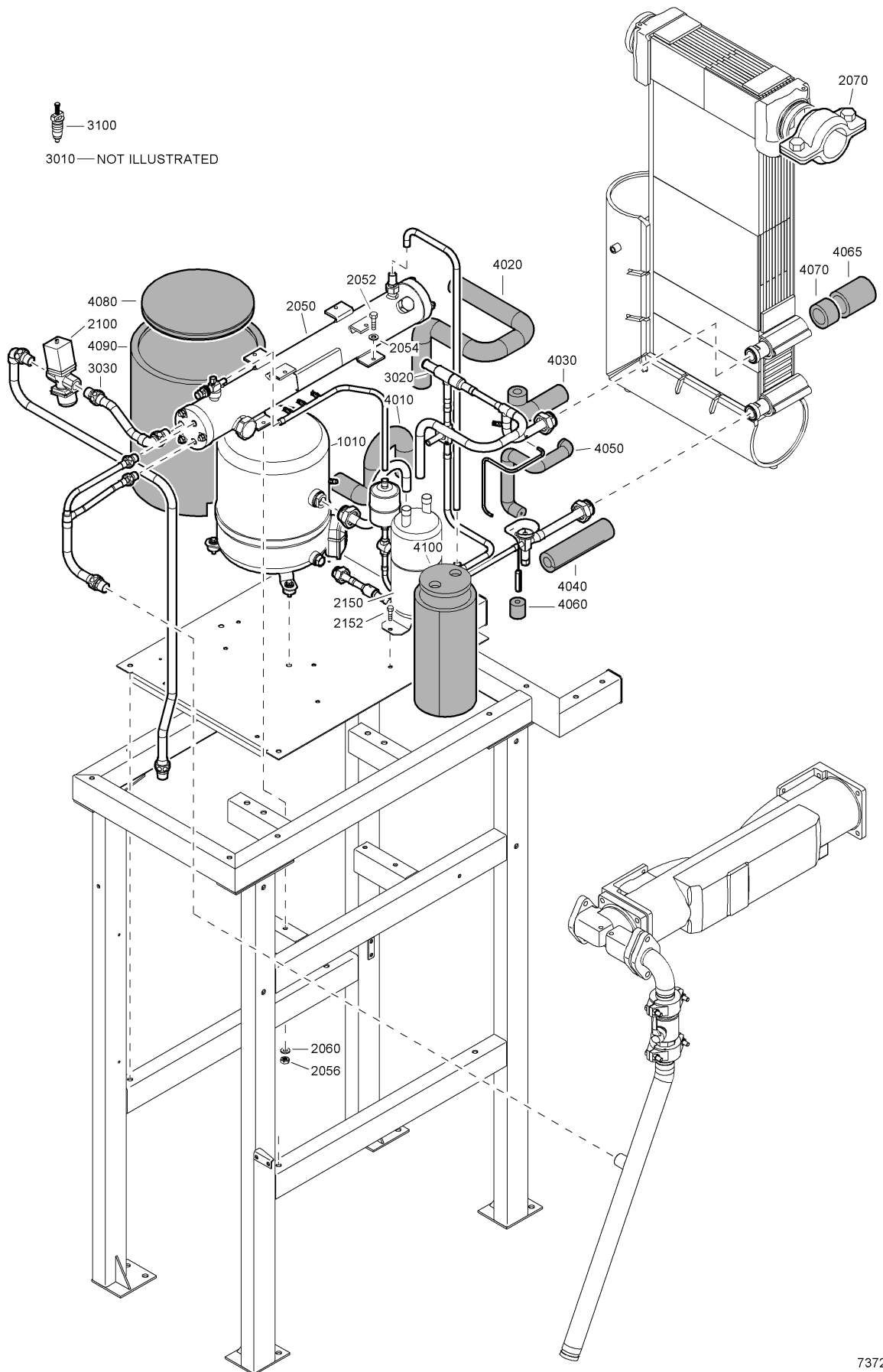




## Air dryer - Mechanical components - Water cooled

Ref.	Partnumber	Qty	Name	Remarks	Ref.	Partnumber	Qty	Name	Remarks		
1010	1614 7168 08	1	Watercooled Compressor 380V 50 Hz IEC GA110 7.5 bar(e) GA90+ 7.5 bar(e) GA132 7.5 bar(e) GA90+ 7.5 bar(e) GA110+ 7.5 bar(e) GA132+ 7.5 bar(e) GA110 8.5 bar(e) GA90+ 8.5 bar(e) GA110+ 8.5 bar(e) GA132 8.5 bar(e) GA110 10 bar(e) GA132+ 10 bar(e) GA160+ 10 bar(e) GA90+ 14 bar(e) GA110+ 14 bar(e) GA132+ 14 bar(e) GA160+ 14 bar(e) 400V 50 Hz IEC GA110 7.5 bar(e) GA90+ 7.5 bar(e) GA110 8.5 bar(e) GA90+ 8.5 bar(e) GA110+ 8.5 bar(e) GA132 8.5 bar(e) GA110 10 bar(e) GA132 10 bar(e) GA90+ 10 bar(e) GA110+ 10 bar(e) GA132+ 10 bar(e) GA90+ 14 bar(e) GA110+ 14 bar(e) GA132+ 14 bar(e) GA160+ 14 bar(e) 525V 50 Hz IEC GA110 7.5 bar(e) GA90+ 7.5 bar(e) GA110 8.5 bar(e) GA90+ 8.5 bar(e) GA110+ 8.5 bar(e) GA132 8.5 bar(e) GA132+ 8.5 bar(e) GA110 10 bar(e) GA132 10 bar(e) GA90+ 10 bar(e) GA110+ 10 bar(e) GA132+ 10 bar(e) GA160+ 10 bar(e) GA90+ 14 bar(e) GA110+ 14 bar(e) GA132+ 14 bar(e) GA160+ 14 bar(e) 550V 50 Hz IEC GA110 7.5 bar(e) GA90+ 7.5 bar(e) GA110 8.5 bar(e) GA90+ 8.5 bar(e) GA110+ 8.5 bar(e) GA132 8.5 bar(e) GA132+ 8.5 bar(e) GA110 10 bar(e) GA132 10 bar(e) GA90+ 10 bar(e)							GA110+ 10 bar(e) GA132+ 10 bar(e) GA160+ 10 bar(e) GA90+ 14 bar(e) GA110+ 14 bar(e) GA132+ 14 bar(e) GA160+ 14 bar(e) 440V 60 Hz IEC GA90+ 5.2 bar(e) GA110 6.9 bar(e) GA132 6.9 bar(e) GA90+ 6.9 bar(e) GA110+ 6.9 bar(e) GA110 8.6 bar(e) GA132 8.6 bar(e) GA90+ 8.6 bar(e) GA110+ 8.6 bar(e) GA132+ 8.6 bar(e) GA160 8.6 bar(e) GA110 10.4 bar(e) GA132 10.4 bar(e) GA90+ 10.4 bar(e) GA110+ 10.4 bar(e) GA132+ 10.4 bar(e) GA160+ 10.4 bar(e) GA90+ 13.8 bar(e) GA110+ 13.8 bar(e) GA132+ 13.8 bar(e) GA160+ 13.8 bar(e) 460V 60 Hz CSA-UL GA90+ 5.2 bar(e) GA110 6.9 bar(e) GA132 6.9 bar(e) GA90+ 6.9 bar(e) GA110+ 6.9 bar(e) GA110 8.6 bar(e) GA132 8.6 bar(e) GA90+ 8.6 bar(e) GA110+ 8.6 bar(e) GA132+ 8.6 bar(e) GA160 8.6 bar(e) GA110 10.4 bar(e) GA132 10.4 bar(e) GA90+ 10.4 bar(e) GA110+ 10.4 bar(e) GA132+ 10.4 bar(e) GA160+ 10.4 bar(e) GA90+ 13.8 bar(e) GA110+ 13.8 bar(e) GA132+ 13.8 bar(e) GA160+ 13.8 bar(e)	
					1010	1614 7168 08	1	Compressor 380V 50 Hz IEC GA132+ 8.5 bar(e) GA160+ 10 bar(e) 400V 50 Hz IEC GA110+ 8.5 bar(e) 440V 60 Hz IEC GA160 6.9 bar(e) GA132+ 6.9 bar(e) 460V 60 Hz CSA-UL GA160 6.9 bar(e) GA132+ 6.9 bar(e)			
					1010	1614 7168 12	1	Refrig.compressor 380V 50 Hz IEC			

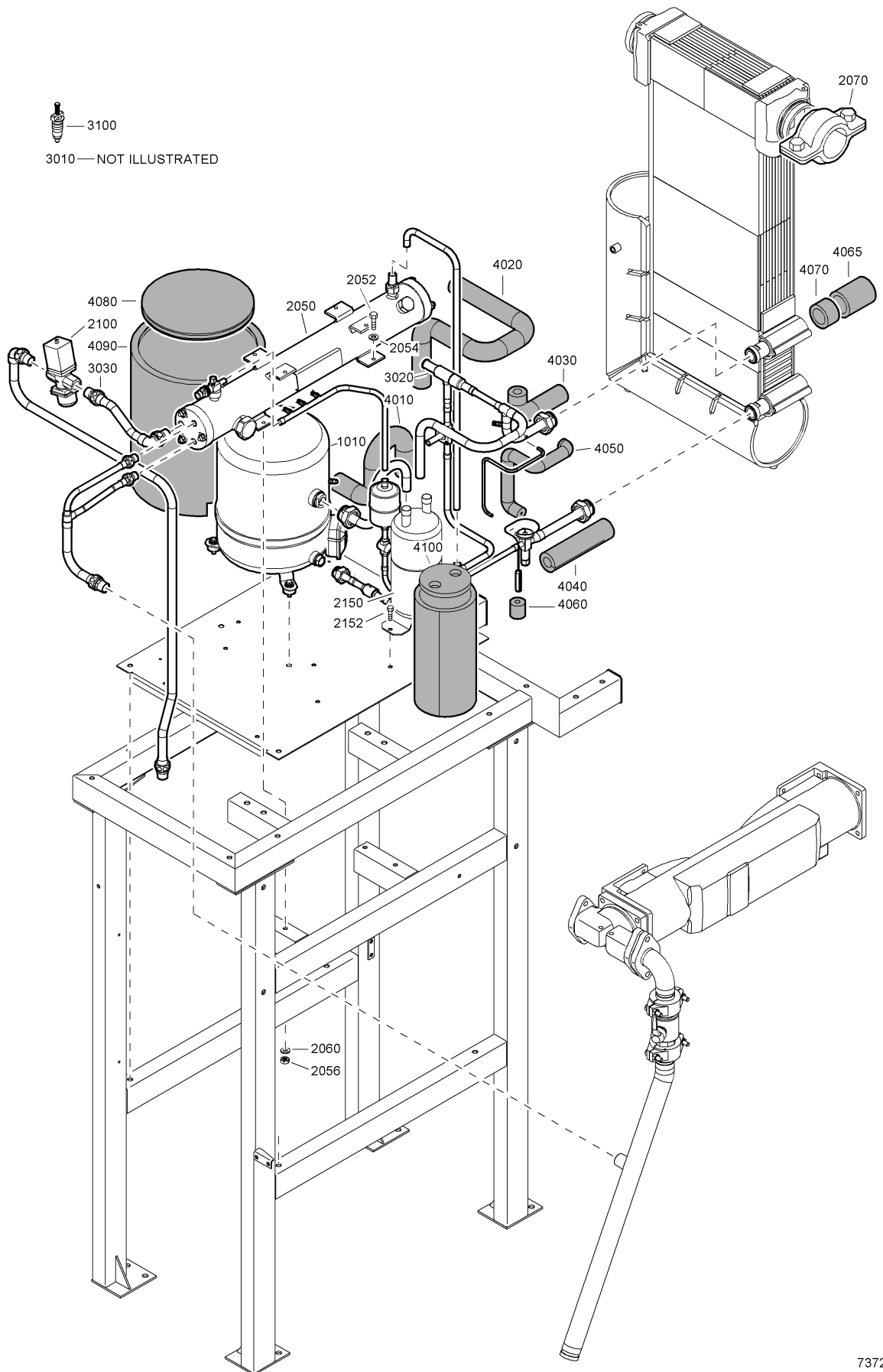
# 23



## Air dryer - Mechanical components - Water cooled

Ref.	Partnumber	Qty	Name	Remarks	Ref.	Partnumber	Qty	Name	Remarks											
1010	1614716813	1	GA132 7.5 bar(e) GA160 8.5 bar(e) 400V 50 Hz IEC GA132 GA160 525V 50 Hz IEC GA132 GA160 550V 50 Hz IEC GA132 GA160 Refrig.compressor 380V 50 Hz IEC GA90+ 5.5 bar(e) GA110+ 5.5 bar(e) GA160 7.5 bar(e) GA132+ 7.5 bar(e) 400V 50 Hz IEC GA160 GA132+ GA90+ GA110+ 500V 50 Hz IEC GA160 GA132+ GA90+ GA110+ 525V 50 Hz IEC GA160 GA132+ GA90+ GA110+ 550V 50 Hz IEC GA160 GA132+ GA90+ GA110+		1010	1614716822	1	GA110 10.4 bar(e) GA132 10.4 bar(e) GA90+ 10.4 bar(e) GA110+ 10.4 bar(e) GA132+ 10.4 bar(e) GA160+ 10.4 bar(e) GA90+ 13.8 bar(e) GA110+ 13.8 bar(e) GA132+ 13.8 bar(e) GA160+ 13.8 bar(e) Compressor 500V 50 Hz IEC GA110+ 7.5 bar(e) GA132+ 8.5 bar(e) GA160+ 10 bar(e) 575V 60 Hz CSA-UL GA90+ 5.2 bar(e) GA160 6.9 bar(e) GA132+ 6.9 bar(e) Refrigerant compressor 500V 50 Hz IEC GA132 7.5 bar(e) GA160 8.5 bar(e) 1010	1614716820	1	Refrig.compressor id340 500v50 380V 60 Hz IEC GA110 6.9 bar(e) GA132 6.9 bar(e) GA90+ 6.9 bar(e) GA110+ 6.9 bar(e) GA110 8.6 bar(e) GA132 8.6 bar(e) GA90+ 8.6 bar(e) GA110+ 8.6 bar(e) GA132+ 8.6 bar(e) GA160 8.6 bar(e) GA110 10.4 bar(e) GA132 10.4 bar(e) GA90+ 10.4 bar(e) GA110+ 10.4 bar(e) GA132+ 10.4 bar(e) GA160+ 10.4 bar(e) GA90+ 13.8 bar(e) GA110+ 13.8 bar(e) GA132+ 13.8 bar(e) GA160+ 13.8 bar(e) 1010	1614716821	1	Compressor 380V 60 Hz IEC GA90+ 5.2 bar(e) GA160 6.9 bar(e) GA132+ 6.9 bar(e) 1010	1614716817	1	Refrig.compressor GA110+ 5.2 bar(e) GA132+ 5.2 bar(e) GA132+ 5.5 bar(e) 2050	1617448200	1	Condenser
1010	1619767415	1	GA132 7.5 bar(e) GA160 8.5 bar(e) 400V 50 Hz IEC GA132 GA160 525V 50 Hz IEC GA132 GA160 550V 50 Hz IEC GA132 GA160 Refrig.compressor 500V 50 Hz IEC GA110 7.5 bar(e) GA90+ 7.5 bar(e) GA110 8.5 bar(e) GA90+ 8.5 bar(e) GA110+ 8.5 bar(e) GA132 8.5 bar(e) GA110 10 bar(e) GA132 10 bar(e) GA90+ 10 bar(e) GA110+ 10 bar(e) GA132+ 10 bar(e) GA90+ 14 bar(e) GA110+ 14 bar(e) GA132+ 14 bar(e) GA160+ 14 bar(e) 575V 60 Hz CSA-UL GA110 6.9 bar(e) GA132 6.9 bar(e) GA90+ 6.9 bar(e) GA110+ 6.9 bar(e) GA110 8.6 bar(e) GA132 8.6 bar(e) GA90+ 8.6 bar(e) GA110+ 8.6 bar(e) GA132+ 8.6 bar(e) GA160 8.6 bar(e)		2052	0147132503	4	Bolt												
					2054	0301233500	4	Plain washer												
					2056	0266211000	4	Hexagon nut												
					2060	0300027434	4	Washer												
					2070	0634100152	2	Coupling												
					2100	1617200203	1	Regulating valve												
					2150	1617388700	1	Separator												
					2152	1619276600	3	Bolt GA90+ 6.9 bar(e)												

# 23



## Air dryer - Mechanical components - Water cooled

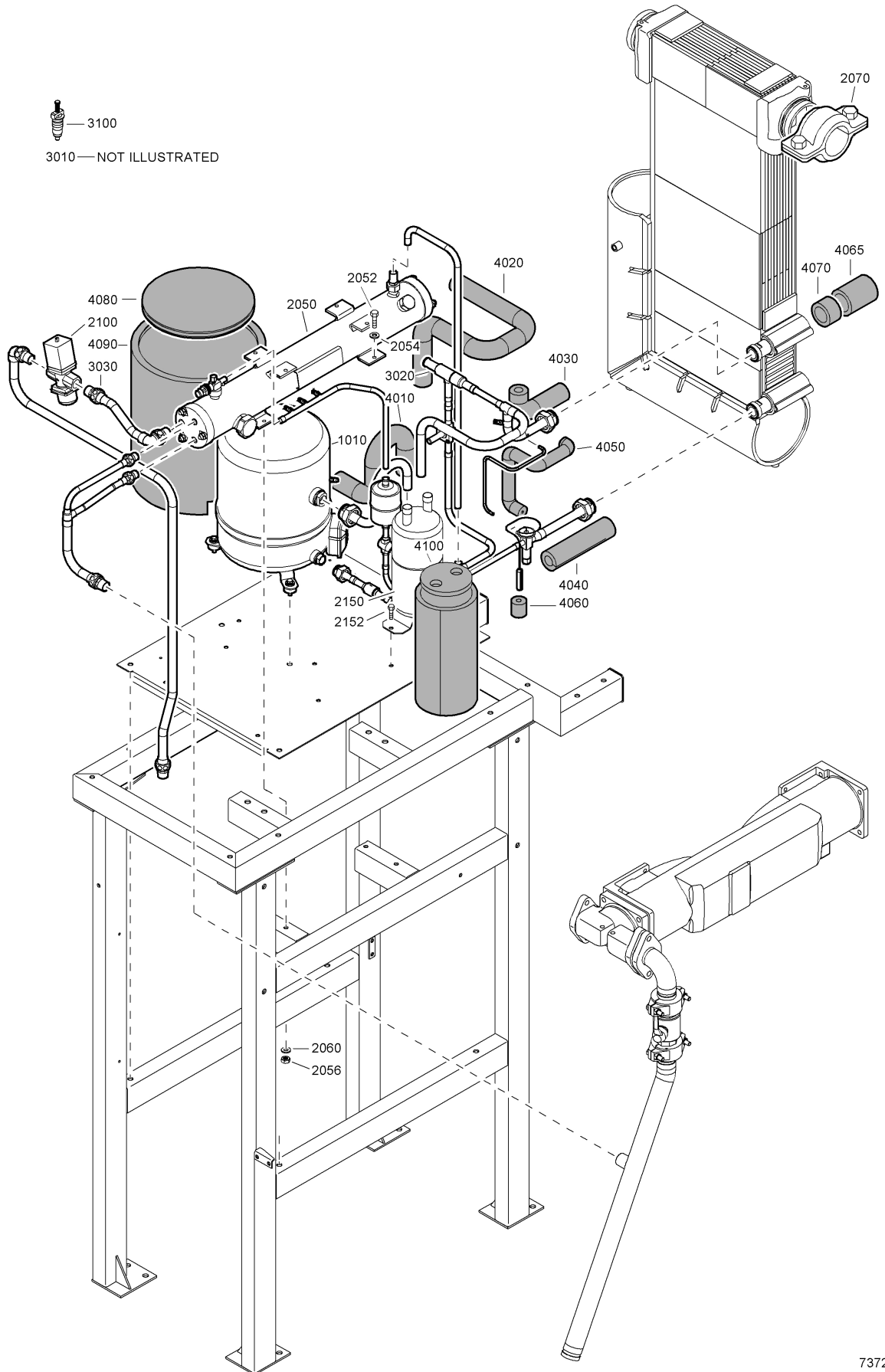
23

Ref.	Partnumber	Qty	Name	Remarks	Ref.	Partnumber	Qty	Name	Remarks
			<b>GA110 6.9 bar(e)</b>					<b>GA160 8.6 bar(e)</b>	
			<b>GA110 7.5 bar(e)</b>		2050	1617 3753 00	1	Condensor	
			<b>GA90+ 7.5 bar(e)</b>		2052	0147 1325 03	4	Bolt	
			<b>GA110 8.5 bar(e)</b>		2054	0301 2335 00	4	Plain washer	
			<b>GA90+ 8.5 bar(e)</b>		2056	0266 2110 00	4	Hexagon nut	
			<b>GA110+ 8.5 bar(e)</b>		2060	0300 0274 34	4	Washer	
			<b>GA132 8.5 bar(e)</b>		2070	0634 1001 52	2	Victaulic coupling	
			<b>GA110 8.6 bar(e)</b>		2100	1617 2002 03	1	Regulating valve	
			<b>GA132 8.6 bar(e)</b>		2150	1617 3887 00	1	Separator	
			<b>GA90+ 8.6 bar(e)</b>		2152	1619 2766 00	3	Bolt	
			<b>GA110+ 8.6 bar(e)</b>					<b>380V 50 Hz IEC</b>	
			<b>GA110 10 bar(e)</b>					<b>GA132</b>	
			<b>GA132 10 bar(e)</b>					<b>GA160</b>	
			<b>GA90+ 10 bar(e)</b>					<b>400V 50 Hz IEC</b>	
			<b>GA110+ 10 bar(e)</b>					<b>GA132</b>	
			<b>GA132+ 10 bar(e)</b>					<b>GA160</b>	
			<b>GA160 10.4 bar(e)</b>					<b>500V 50 Hz IEC</b>	
			<b>GA110 10.4 bar(e)</b>					<b>GA132</b>	
			<b>GA132 10.4 bar(e)</b>					<b>GA160</b>	
			<b>GA90+ 10.4 bar(e)</b>					<b>525V 50 Hz IEC</b>	
			<b>GA110+ 10.4 bar(e)</b>					<b>GA132</b>	
			<b>GA132+ 10.4 bar(e)</b>					<b>GA160</b>	
			<b>GA160+ 10.4 bar(e)</b>					<b>550V 50 Hz IEC</b>	
			<b>GA90+ 13.8 bar(e)</b>					<b>GA132</b>	
			<b>GA110+ 13.8 bar(e)</b>					<b>GA160</b>	
			<b>GA132+ 13.8 bar(e)</b>					<b>380V 60 Hz IEC</b>	
			<b>GA160+ 13.8 bar(e)</b>					<b>60GA132</b>	
			<b>GA90+ 14 bar(e)</b>					<b>GA160</b>	
			<b>GA110+ 14 bar(e)</b>					<b>440V 60 Hz IEC</b>	
			<b>GA132+ 14 bar(e)</b>					<b>GA132</b>	
			<b>GA160+ 14 bar(e)</b>					<b>GA160</b>	
2050	1617 2395 02	1	Condenser					<b>460V 60 Hz CSA-UL</b>	
2052	0147 1325 03	4	Bolt					<b>GA132</b>	
2054	0301 2335 00	4	Plain washer					<b>GA160</b>	
2056	0266 2110 00	4	Hexagon nut					<b>575V 60 Hz CSA-UL</b>	
2060	0300 0274 34	4	Washer					<b>GA132</b>	
2070	0634 1001 54	2	Coupling					<b>GA160</b>	
2100	1617 2002 03	1	Regulating valve		2050	1617 4482 00	1	Condenser	
2150	1617 3887 00	1	Separator		2052	0147 1325 03	4	Bolt	
2152	1619 2766 00	3	Bolt		2054	0301 2335 00	4	Plain washer	
			<b>GA110+</b>		2056	0266 2110 00	4	Hexagon nut	
			<b>GA110+ 6.9 bar(e)</b>		2060	0300 0274 34	4	Washer	
			<b>GA132+ 8.5 bar(e)</b>		2070	0634 1001 52	2	Victaulic coupling	
			<b>GA160+ 10 bar(e)</b>		2100	1617 2002 03	1	Regulating valve	
					2150	1617 3887 00	1	Separator	
					2152	1619 2766 00	3	Bolt	
2050	1617 3753 00	1	Condenser					<b>GA90+ 6.9 bar(e)</b>	
2052	0147 1325 03	4	Bolt					<b>GA110 6.9 bar(e)</b>	
2054	0301 2335 00	4	Plain washer					<b>GA110 7.5 bar(e)</b>	
2056	0266 2110 00	4	Hexagon nut					<b>GA90+ 7.5 bar(e)</b>	
2060	0300 0274 34	4	Washer					<b>GA110 8.5 bar(e)</b>	
2070	0634 1001 54	2	Coupling					<b>GA90+ 8.5 bar(e)</b>	
2100	1617 2002 03	1	Regulating valve					<b>GA110+ 8.5 bar(e)</b>	
2150	1617 3887 00	1	Separator					<b>GA132 8.5 bar(e)</b>	
2152	1619 2766 00	3	Bolt					<b>GA110 8.6 bar(e)</b>	
			<b>GA132</b>					<b>GA132 8.6 bar(e)</b>	
			<b>GA160</b>					<b>GA90+ 8.6 bar(e)</b>	
			<b>GA132+</b>					<b>GA110+ 8.6 bar(e)</b>	
			<b>GA160+</b>					<b>GA110 10 bar(e)</b>	
			<b>GA90+ 5.2 bar(e)</b>					<b>GA132 10 bar(e)</b>	
			<b>GA90+ 5.5 bar(e)</b>					<b>GA90+ 10 bar(e)</b>	
			<b>GA110+ 5.5 bar(e)</b>					<b>GA110+ 10 bar(e)</b>	
			<b>GA132 6.9 bar(e)</b>					<b>GA132+ 10 bar(e)</b>	
			<b>GA132+ 6.9 bar(e)</b>					<b>GA160 10 bar(e)</b>	
			<b>GA160 6.9 bar(e)</b>					<b>GA110 10.4 bar(e)</b>	
			<b>GA160 8.5 bar(e)</b>						

# 23



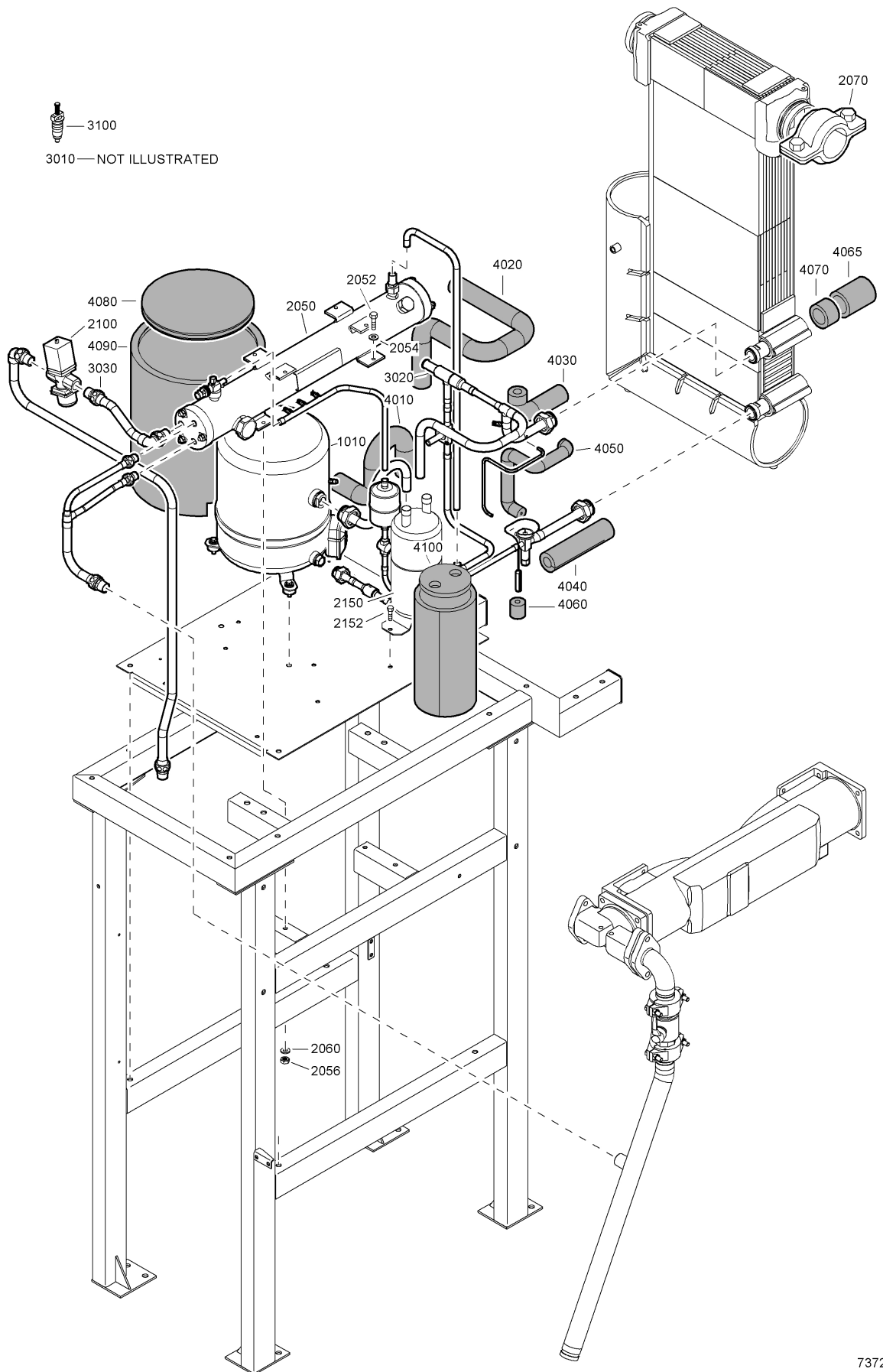
3010 — NOT ILLUSTRATED



## Air dryer - Mechanical components - Water cooled

Ref.	Partnumber	Qty	Name	Remarks	Ref.	Partnumber	Qty	Name	Remarks
			<b>GA132 10.4 bar(e)</b>					<b>GA132+ 6.9 bar(e)</b>	
			<b>GA90+ 10.4 bar(e)</b>					<b>GA160 8.5 bar(e)</b>	
			<b>GA110+ 10.4 bar(e)</b>					<b>GA160 8.6 bar(e)</b>	
			<b>GA132+ 10.4 bar(e)</b>		3010	1609 0008 92	1	Pipeassy	
			<b>GA160 10.4 bar(e)</b>			1627 7619 00	1	Pipe	
			<b>GA160+ 10.4 bar(e)</b>			1617 4259 00	1	Pipe	
			<b>GA90+ 13.8 bar(e)</b>		3020	1627 7620 80	1	<b>Pipe</b>	
			<b>GA110+ 13.8 bar(e)</b>			1617 0314 00	1	Nut	
			<b>GA132+ 13.8 bar(e)</b>			1617 0386 00	1	Sleeve	
			<b>GA160+ 13.8 bar(e)</b>			1617 0476 00	1	Nut	
			<b>GA90+ 14 bar(e)</b>			1617 0488 00	1	Sleeve	
			<b>GA110+ 14 bar(e)</b>			1617 1524 02	1	Valve	
			<b>GA132+ 14 bar(e)</b>			1617 1524 03	1	Valve	
			<b>GA160+ 14 bar(e)</b>			1617 4284 00	1	Non return valve	
3010	1609 0008 90	1	<b>Pipe assy</b>			1627 7468 00	1	Valve	
	1627 7619 00	1	Pipe		3030	1617 4279 80	1	<b>Pipe</b>	
	1617 4487 00	1	Pipe			0586 3000 08	3	Coupling	
3020	1627 7618 80	1	<b>Pipe</b>		3100		1	<b>Valve check</b>	
	1617 0314 00	1	Nut			1617 4682 00	1	Valve core	
	1617 0386 00	1	Sleeve			1617 4682 00	1	Valve core	
	1617 0476 00	1	Nut			1617 4682 00	1	Valve core	
	1617 0488 00	1	Sleeve			1617 4682 00	1	Valve core	
	1617 1524 02	1	Valve			1617 4682 00	1	Valve core	
	1617 1524 03	1	Valve					<b>GA160</b>	
	1617 4284 00	1	Non return valve					<b>GA160+</b>	
	1627 7468 00	1	Valve					<b>GA110+ 5.5 bar(e)</b>	
3030	1617 4490 80	1	<b>Pipe</b>					<b>GA160 6.9 bar(e)</b>	
	1079 5861 04	1	Coupling		3010	1609 0008 93	1	<b>Pipe assy</b>	
	0586 3000 08	1	Coupling			1627 7619 00	1	Pipe	
3100		1	<b>Valve check</b>			1617 4259 00	1	Pipe	
	1617 4682 00	1	Valve core		3020	1627 7621 80	1	<b>Pipe</b>	
	1617 4682 00	1	Valve core			1617 0314 00	1	Nut	
	1617 4682 00	1	Valve core			1617 0386 00	1	Sleeve	
	1617 4682 00	1	Valve core			1617 0476 00	1	Nut	
	1617 4682 00	1	Valve core			1617 0488 00	1	Sleeve	
			<b>GA110+</b>			1617 1524 02	1	Valve	
			<b>GA110+ 6.9 bar(e)</b>			1617 1524 03	1	Valve	
			<b>GA132+ 8.5 bar(e)</b>			1617 4284 00	1	Non return valve	
			<b>GA132+ 8.6 bar(e)</b>			1627 7468 00	1	Valve	
			<b>GA160+ 10 bar(e)</b>		3030	1617 4279 80	1	<b>Pipe</b>	
3010	1609 0008 91	1	Pipeassy			0586 3000 08	3	Coupling	
	1627 7619 00	1	Pipe		3100		1	<b>Valve check</b>	
	1617 4259 00	1	Pipe			1617 4682 00	1	Valve core	
3020	1627 7618 80	1	<b>Pipe</b>			1617 4682 00	1	Valve core	
	1617 0314 00	1	Nut			1617 4682 00	1	Valve core	
	1617 0386 00	1	Sleeve			1617 4682 00	1	Valve core	
	1617 0476 00	1	Nut			1617 4682 00	1	Valve core	
	1617 0488 00	1	Sleeve					<b>GA132</b>	
	1617 1524 02	1	Valve					<b>GA160</b>	
	1617 1524 03	1	Valve		3010	1609 0008 94	1	<b>Pipe assy</b>	
	1617 4284 00	1	Non return valve			1627 7619 00	1	Pipe	
	1627 7468 00	1	Valve			1617 4262 00	1	Pipe	
3030	1617 4279 80	1	<b>Pipe</b>		3020	1627 7645 80	1	<b>Pipe</b>	
	0586 3000 08	3	Coupling			1617 0314 00	1	Nut	
3100		1	<b>Valve check</b>			1617 0386 00	1	Sleeve	
	1617 4682 00	1	Valve core			1617 0476 00	1	Nut	
	1617 4682 00	1	Valve core			1617 0488 00	1	Sleeve	
	1617 4682 00	1	Valve core			1617 1524 03	1	Valve	
	1617 4682 00	1	Valve core			1617 4284 00	1	Non return valve	
	1617 4682 00	1	Valve core			1627 7468 00	1	Valve	
			<b>GA132</b>		3030	1617 4279 80	1	<b>Pipe</b>	
			<b>GA132+</b>			0586 3000 08	3	Coupling	
			<b>GA90+ 5.2 bar(e)</b>		3100		1	<b>Valve check</b>	
			<b>GA90+ 5.5 bar(e)</b>			1617 4682 00	1	Valve core	
			<b>GA132 6.9 bar(e)</b>			1617 4682 00	1	Valve core	

# 23



73724

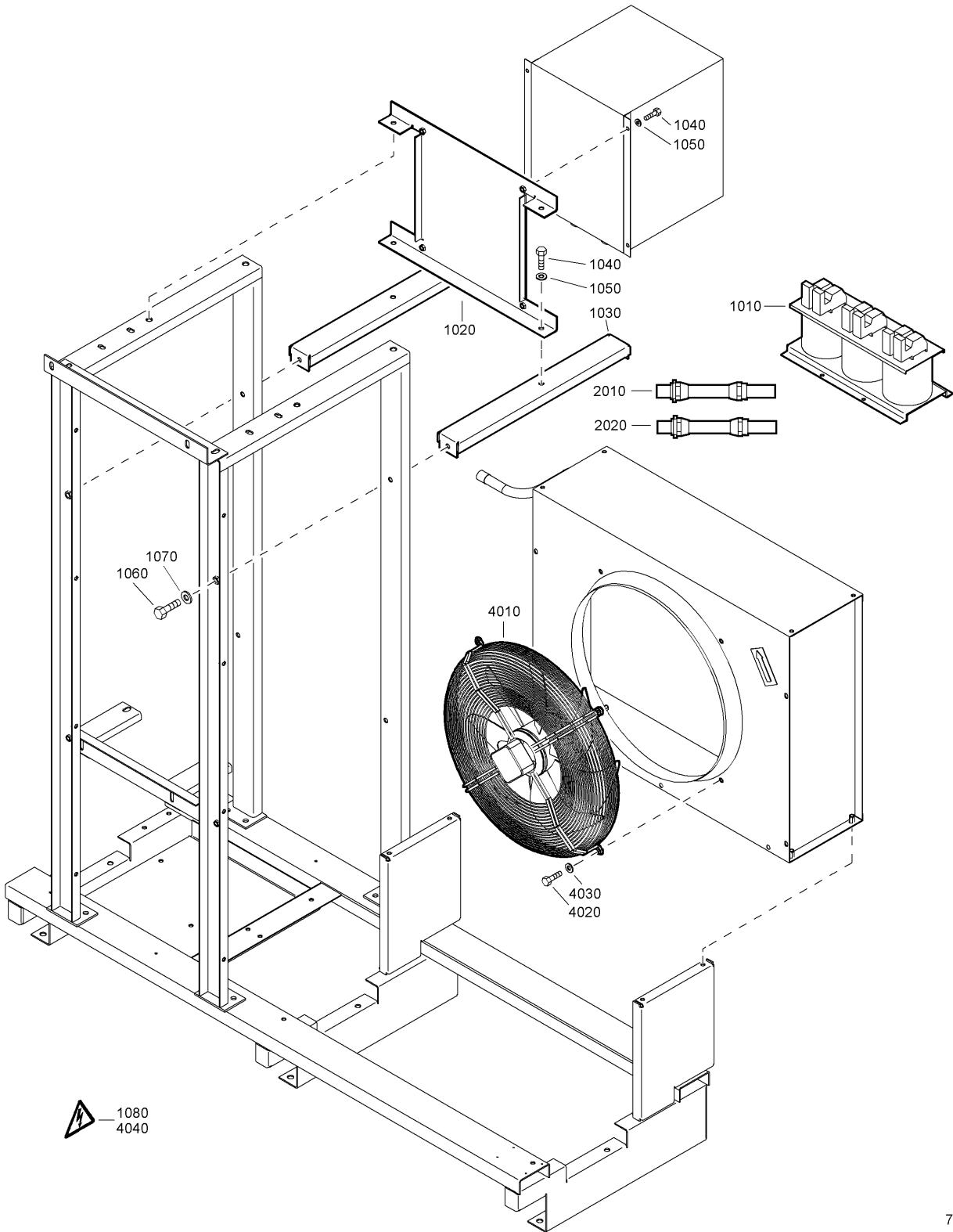


## Air dryer - Mechanical components - Water cooled

23

Ref.	Part number	Qty	Name	Remarks	Ref.	Part number	Qty	Name	Remarks
	16174682 00	1	Valve core		<b>3100</b>		<b>1</b>	<b>Valve check</b>	
	16174682 00	1	Valve core			16174682 00	1	Valve core	
	16174682 00	1	Valve core			16174682 00	1	Valve core	
			<b>GA110+ 5.2 bar(e)</b>			16174682 00	1	Valve core	
			<b>GA132+ 5.2 bar(e)</b>			16174682 00	1	Valve core	
			<b>GA132+ 5.5 bar(e)</b>			16174682 00	1	Valve core	
<b>3010</b>	<b>1609 0009 12</b>	<b>1</b>	<b>Pipe assy</b>				<b>1</b>	<b>Water cooled</b>	
	16277619 00	1	Pipe				1	Insulation	
	16174262 00	1	Pipe		4010	16174441 00	1	Insulation	
<b>3020</b>	<b>1627 7621 80</b>	<b>1</b>	<b>Pipe</b>		4020	16277624 00	1	Insulation	
	16170314 00	1	Nut		4030	16277625 00	1	Insulation	
	16170386 00	1	Sleeve		4040	16174444 00	1	Insulation	
	16170476 00	1	Nut		4050	16277626 00	1	Insulation	
	16170488 00	1	Sleeve		<b>4060</b>		<b>1</b>	<b>Insulation assy</b>	
	16171524 02	1	Valve			16172235 01	1	Insulation hose	
	16171524 03	1	Valve			16170219 00	1	Insul.plate	
	16174284 00	1	Non return valve		4065	16172863 01	1	Insulation	
	16277468 00	1	Valve		4070	16174458 00	2	Insulation	
<b>3030</b>	<b>1617 4279 80</b>	<b>1</b>	<b>Pipe</b>		4080	16171493 00	1	Insulation	
	05863000 08	3	Coupling		4090	16171492 00	1	Insulation	
					4100	16172584 80	1	Insulation	

# 24



73725

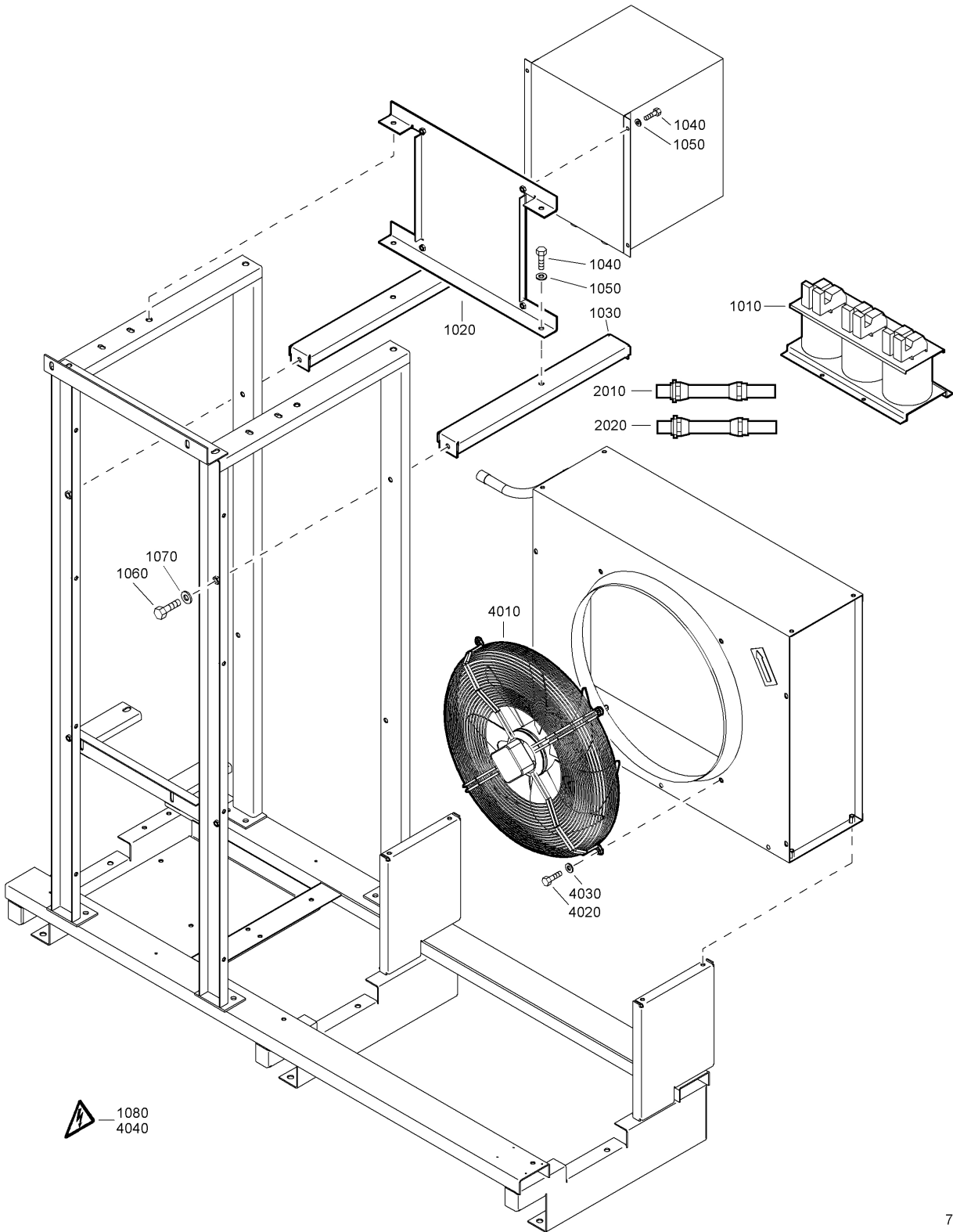
73725

## Air dryer - Electrical components - Air cooled

24

Ref.	Partnumber	Qty	Name	Remarks	Ref.	Partnumber	Qty	Name	Remarks
			380 V 50 Hz IEC					GA132 8.5 bar(e)	
			GA90+ 5.5 bar(e)					GA132+ 8.5 bar(e)	
			GA110+ 5.5 bar(e)					GA160 8.5 bar(e)	
			GA110 7.5 bar(e)					GA90+ 10 bar(e)	
			GA132 7.5 bar(e)					GA110+ 10 bar(e)	
			GA160 7.5 bar(e)					GA132+ 10 bar(e)	
			GA90+ 7.5 bar(e)					GA160+ 10 bar(e)	
			GA110+ 7.5 bar(e)					GA110 10 bar(e)	
			GA132+ 7.5 bar(e)					GA132 10 bar(e)	
			GA160+ 7.5 bar(e)					GA90+ 10 bar(e)	
			GA132					GA110+ 10 bar(e)	
			GA160					GA132+ 10 bar(e)	
			GA110 8.5 bar(e)					GA160+ 10 bar(e)	
			GA90+ 8.5 bar(e)					GA160 10 bar(e)	
			GA110+ 8.5 bar(e)					GA110 10 bar(e)	
			GA132 8.5 bar(e)					GA132 10 bar(e)	
			GA132+ 8.5 bar(e)					GA90+ 10 bar(e)	
			GA160 8.5 bar(e)					GA110+ 10 bar(e)	
			GA110 10 bar(e)					GA132+ 10 bar(e)	
			GA132 10 bar(e)					GA160+ 10 bar(e)	
			GA90+ 10 bar(e)					GA160 10 bar(e)	
			GA90+ 14 bar(e)					GA90+ 14 bar(e)	
			GA110+ 14 bar(e)					GA110+ 14 bar(e)	
			GA132+ 14 bar(e)					GA132+ 14 bar(e)	
			GA160+ 14 bar(e)					GA160+ 14 bar(e)	
			IEC GA110+					GA90+ 14 bar(e)	
			GA132+					GA110+ 14 bar(e)	
			GA160+					GA132+ 14 bar(e)	
			GA160					GA160+ 14 bar(e)	
1010	1089 9425 23	1	Transformer					GA90+ 14 bar(e)	
1020	1617 4359 80	1	Support					GA110+ 14 bar(e)	
1030	1617 4360 80	2	Support					GA132+ 14 bar(e)	
1040	0147 1360 03	8	Bolt					GA160+ 14 bar(e)	
1050	0301 2344 00	8	Washer					525 V 50 Hz IEC	
1060	0147 1325 03	4	Bolt					GA110 7.5 bar(e)	
1070	0301 2335 00	4	Plain washer					GA132 7.5 bar(e)	
1080	1088 1001 04	1	Warning mark					GA160 7.5 bar(e)	
			500 V 50 Hz IEC					GA90+ 7.5 bar(e)	
			GA90+ 5.5 bar(e)					GA110+ 7.5 bar(e)	
			GA110+ 5.5 bar(e)					GA132+ 7.5 bar(e)	
			GA90+ 5.5 bar(e)					GA160+ 7.5 bar(e)	
			GA110+ 5.5 bar(e)					GA132 7.5 bar(e)	
			GA90+ 5.5 bar(e)					GA160 7.5 bar(e)	
			GA110+ 5.5 bar(e)					550 V 50 Hz IEC	
			GA132 7.5 bar(e)					GA110 7.5 bar(e)	
			GA160 7.5 bar(e)					GA132 7.5 bar(e)	
			GA90+ 7.5 bar(e)					GA160 7.5 bar(e)	
			GA110+ 7.5 bar(e)					GA90+ 7.5 bar(e)	
			GA132+ 7.5 bar(e)					GA110+ 7.5 bar(e)	
			GA160+ 7.5 bar(e)					GA132+ 7.5 bar(e)	
			GA132 7.5 bar(e)					GA160+ 7.5 bar(e)	
			GA160 7.5 bar(e)					GA132 7.5 bar(e)	
			GA90+ 8.5 bar(e)					GA160 7.5 bar(e)	
			GA110+ 8.5 bar(e)					500 V 60 Hz IEC	
			GA132+ 8.5 bar(e)					GA132+ 5.5 bar(e)	
			GA160 8.5 bar(e)		1010	1089 9425 24	1	Transformer	
			GA110 8.5 bar(e)		1020	1617 4359 80	1	Support	
			GA90+ 8.5 bar(e)		1030	1617 4360 80	2	Support	
			GA110+ 8.5 bar(e)		1040	0147 1360 03	8	Bolt	
			GA132 8.5 bar(e)		1050	0301 2344 00	8	Washer	
			GA160 8.5 bar(e)		1060	0147 1325 03	4	Bolt	
			GA110 8.5 bar(e)		1070	0301 2335 00	4	Plain washer	
			GA90+ 8.5 bar(e)		1080	1088 1001 04	1	Warning mark	
			GA110+ 8.5 bar(e)					440 V 60 Hz IEC	
								GA132	

# 24



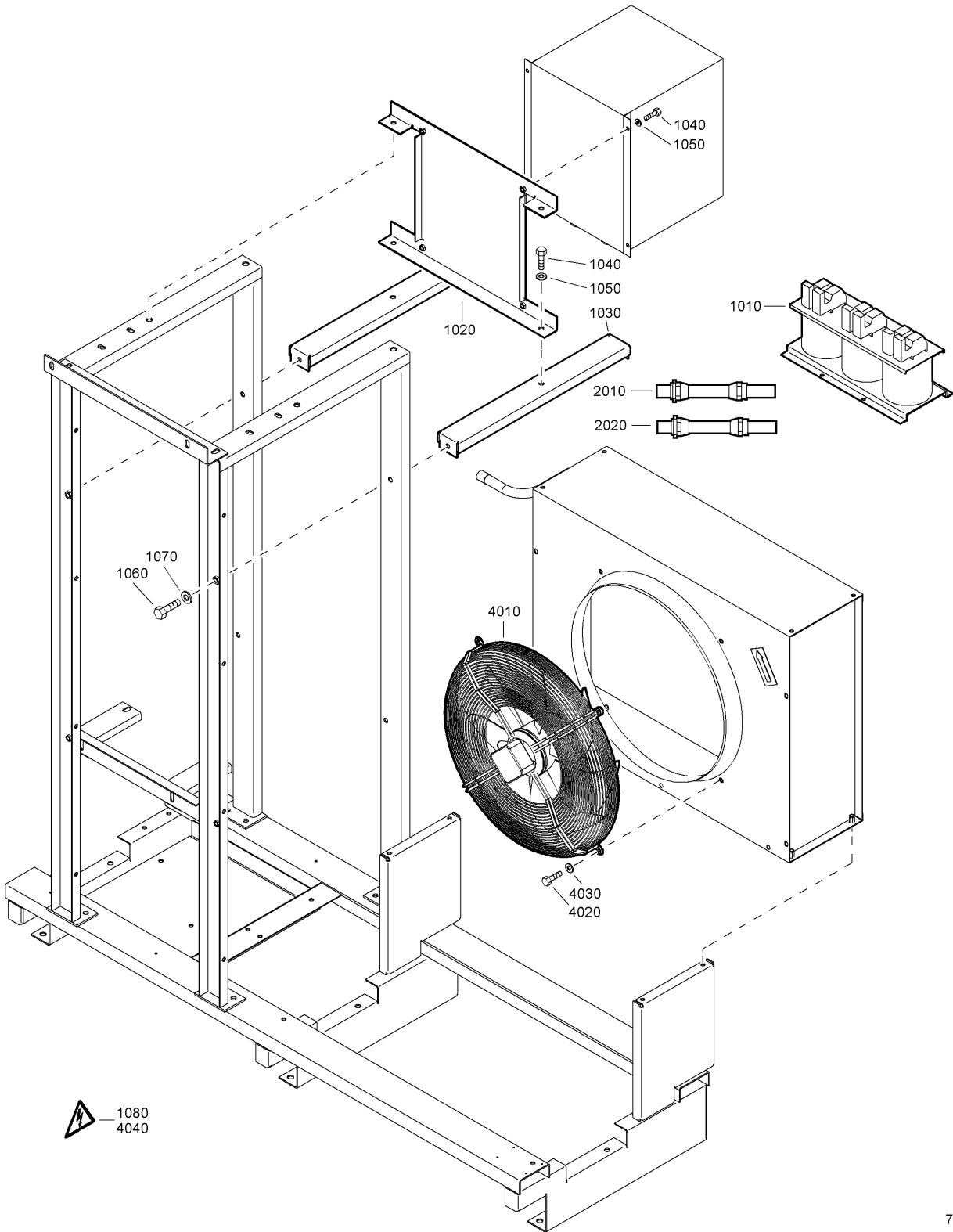
73725

73725

## Air dryer - Electrical components - Air cooled

Ref.	Partnumber	Qty	Name	Remarks	Ref.	Partnumber	Qty	Name	Remarks
			<b>GA160</b>		1050	0301 2344 00	8	Washer	
			<b>GA90+ 5.2 bar(e)</b>		1060	0147 1325 03	4	Bolt	
			<b>GA90+ 6.9 bar(e)</b>		1070	0301 2335 00	4	Plain washer	
			<b>GA110 6.9 bar(e)</b>					<b>525V 50 Hz IEC</b>	
			<b>GA110+ 6.9 bar(e)</b>					<b>GA132+ 5.5 bar(e)</b>	
			<b>GA132 6.9 bar(e)</b>		1010	1089 9426 05	1	Transformer	
			<b>GA132+ 6.9 bar(e)</b>		1020	1617 4359 80	1	Support	
			<b>GA160 6.9 bar(e)</b>		1030	1617 4360 80	2	Support	
			<b>GA110 8.6 bar(e)</b>		1040	0147 1360 03	8	Bolt	
			<b>GA132 8.6 bar(e)</b>		1050	0301 2344 00	8	Washer	
			<b>GA90+ 8.6 bar(e)</b>		1060	0147 1325 03	4	Bolt	
			<b>GA110+ 8.6 bar(e)</b>		1070	0301 2335 00	4	Plain washer	
			<b>GA132+ 8.6 bar(e)</b>		1080	1088 1001 04	1	Warning mark	
			<b>GA160 8.6 bar(e)</b>					<b>440V 60 Hz IEC</b>	
			<b>GA110 10.4 bar(e)</b>					<b>GA110+ 5.2 bar(e)</b>	
			<b>GA132 10.4 bar(e)</b>					<b>GA132+ 5.2 bar(e)</b>	
			<b>GA90+ 10.4 bar(e)</b>		1010	1089 9425 28	1	Transformer	
			<b>GA110+ 10.4 bar(e)</b>		1020	1617 4359 80	1	Support	
			<b>GA132+ 10.4 bar(e)</b>		1030	1617 4360 80	2	Support	
			<b>GA160+ 10.4 bar(e)</b>		1040	0147 1360 03	8	Bolt	
			<b>GA160 10.4 bar(e)</b>		1050	0301 2344 00	8	Washer	
			<b>GA90+ 13.8 bar(e)</b>		1060	0147 1325 03	4	Bolt	
			<b>GA110+ 13.8 bar(e)</b>		1070	0301 2335 00	4	Plain washer	
			<b>GA132+ 13.8 bar(e)</b>		1080	1088 1001 04	1	Warning mark	
			<b>GA160+ 13.8 bar(e)</b>					<b>460V 60 Hz CSA-UL</b>	
1010	1089 9425 25	1	Transformer					<b>GA110 6.9 bar(e)</b>	
1020	1617 4359 80	1	Support					<b>GA132 6.9 bar(e)</b>	
1030	1617 4360 80	2	Support					<b>GA160 6.9 bar(e)</b>	
1040	0147 1360 03	8	Bolt					<b>GA90+ 6.9 bar(e)</b>	
1050	0301 2344 00	8	Washer					<b>GA110+ 6.9 bar(e)</b>	
1060	0147 1325 03	4	Bolt					<b>GA110 8.6 bar(e)</b>	
1070	0301 2335 00	4	Plain washer					<b>GA132 8.6 bar(e)</b>	
1080	1088 1001 04	1	Warning mark					<b>GA90+ 8.6 bar(e)</b>	
			<b>575 V 60 Hz CSA-UL</b>					<b>GA110+ 8.6 bar(e)</b>	
			<b>GA132</b>					<b>GA132+ 8.6 bar(e)</b>	
			<b>GA160</b>					<b>GA160 8.6 bar(e)</b>	
			<b>GA132+ 5.2 bar(e)</b>					<b>GA110 8.6 bar(e)</b>	
			<b>GA132+ 5.2 bar(e)</b>					<b>GA132 8.6 bar(e)</b>	
			<b>GA90+ 6.9 bar(e)</b>					<b>GA160 8.6 bar(e)</b>	
			<b>GA110+ 6.9 bar(e)</b>					<b>GA110 10.4 bar(e)</b>	
			<b>GA90+ 8.6 bar(e)</b>					<b>GA132 10.4 bar(e)</b>	
			<b>GA110+ 8.6 bar(e)</b>					<b>GA90+ 10.4 bar(e)</b>	
			<b>GA132+ 8.6 bar(e)</b>					<b>GA110+ 10.4 bar(e)</b>	
			<b>GA90+ 10.4 bar(e)</b>					<b>GA132+ 10.4 bar(e)</b>	
			<b>GA110+ 10.4 bar(e)</b>					<b>GA160+ 10.4 bar(e)</b>	
			<b>GA132+ 10.4 bar(e)</b>					<b>GA110 10.4 bar(e)</b>	
			<b>GA160+ 10.4 bar(e)</b>					<b>GA132 10.4 bar(e)</b>	
			<b>GA90+ 13.8 bar(e)</b>					<b>GA160 10.4 bar(e)</b>	
			<b>GA110+ 13.8 bar(e)</b>					<b>GA90+ 13.8 bar(e)</b>	
			<b>GA132+ 13.8 bar(e)</b>					<b>GA110+ 13.8 bar(e)</b>	
			<b>GA160+ 13.8 bar(e)</b>					<b>GA132+ 13.8 bar(e)</b>	
1010	1089 9425 26	1	Transformer					<b>GA160+ 13.8 bar(e)</b>	
1020	1617 4359 80	1	Support					<b>575V 60 Hz CSA-UL</b>	
1030	1617 4360 80	2	Support					<b>GA110 6.9 bar(e)</b>	
1040	0147 1360 03	8	Bolt					<b>GA132 6.9 bar(e)</b>	
1050	0301 2344 00	8	Washer					<b>GA160 6.9 bar(e)</b>	
1060	0147 1325 03	4	Bolt					<b>GA160 10.4 bar(e)</b>	
1070	0301 2335 00	4	Plain washer		2010	1617 0167 00	1	Wiring	
1080	1088 1001 04	1	Warning mark		2020	1617 0171 00	1	Wiring	
			<b>380V 50 Hz IEC</b>					<b>460V 60 Hz CSA-UL</b>	
			<b>GA132+ 5.5 bar(e)</b>					<b>GA90+ 5.2 bar(e)</b>	
1010	1089 9425 27	1	Transformer					<b>GA110+ 5.2 bar(e)</b>	
1020	1617 4359 80	1	Support					<b>GA132+ 5.2 bar(e)</b>	
1030	1617 4360 80	2	Support					<b>GA132+ 6.9 bar(e)</b>	
1040	0147 1360 03	8	Bolt					<b>GA132+ 6.9 bar(e)</b>	

# 24



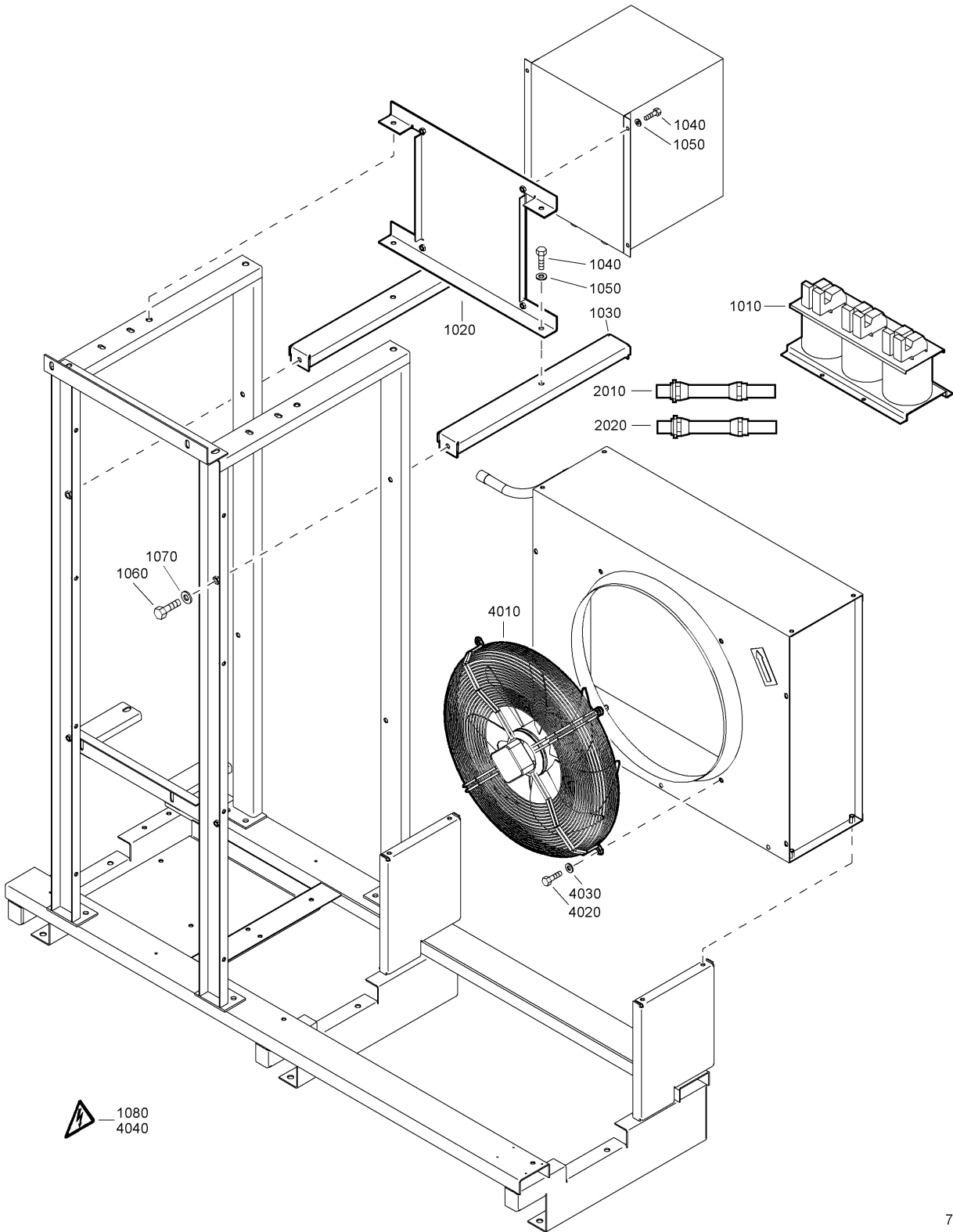
73725

73725

## Air dryer - Electrical components - Air cooled

Ref.	Partnumber	Qty	Name	Remarks	Ref.	Partnumber	Qty	Name	Remarks	
2010	1617019500	1	575V 60 Hz CSA-UL GA90+ 5.2 bar(e) Wiring					GA132+ 10 bar(e) GA160+ 10 bar(e) GA160 10 bar(e)		
2020	1617019800	1	575V 60 Hz CSA-UL GA90+ 6.9 bar(e) GA110+ 6.9 bar(e) GA90+ 8.6 bar(e) GA110+ 8.6 bar(e) GA132+ 8.6 bar(e) GA90+ 10.4 bar(e) GA110+ 10.4 bar(e) GA132+ 10.4 bar(e) GA160+ 10.4 bar(e) GA90+ 13.8 bar(e) GA110+ 13.8 bar(e) GA132+ 13.8 bar(e) GA160+ 13.8 bar(e)					GA90+ 14 bar(e) GA110+ 14 bar(e) GA132+ 14 bar(e) GA160+ 14 bar(e) 500V 50 Hz IEC GA110 7.5 bar(e) GA110 8.5 bar(e) GA132 8.5 bar(e) GA110 10 bar(e) GA132 10 bar(e) GA160 10 bar(e)		
2010	1617026200	1	380V 60 Hz IEC GA90+ 5.2 bar(e) GA110+ 5.2 bar(e) GA132+ 5.2 bar(e) GA110 6.9 bar(e) GA132 6.9 bar(e) GA160 6.9 bar(e) GA90+ 6.9 bar(e) GA110+ 6.9 bar(e) GA132+ 6.9 bar(e) GA90+ 8.6 bar(e) GA110 8.6 bar(e) GA110+ 8.6 bar(e) GA132+ 8.6 bar(e) GA160 8.6 bar(e) GA132 8.6 bar(e) GA110 10.4 bar(e) GA132 10.4 bar(e) GA90+ 10.4 bar(e) GA110+ 10.4 bar(e) GA132+ 10.4 bar(e) GA160+ 10.4 bar(e) GA160 10.4 bar(e) GA90+ 13.8 bar(e) GA110+ 13.8 bar(e) GA132+ 13.8 bar(e) GA160+ 13.8 bar(e)			2010	1617460900	1	Wiring	
2020	1617017100	1	400V 50 Hz IEC GA90+ 5.5 bar(e) GA110 7.5 bar(e) GA132 7.5 bar(e) GA160 7.5 bar(e) GA90+ 7.5 bar(e) GA110+ 7.5 bar(e) GA132+ 7.5 bar(e) GA110 8.5 bar(e) GA90+ 8.5 bar(e) GA110+ 8.5 bar(e) GA132 8.5 bar(e) GA132+ 8.5 bar(e) GA160 8.5 bar(e) GA110 10 bar(e) GA132 10 bar(e) GA90+ 10 bar(e) GA110+ 10 bar(e)			2020	1617461500	1	Wiring	
								380V 50 Hz IEC GA110 7.5 bar(e) GA132 7.5 bar(e) GA160 7.5 bar(e) GA90+ 7.5 bar(e) GA110+ 7.5 bar(e) GA110 8.5 bar(e) GA110+ 8.5 bar(e) GA132 8.5 bar(e) GA90+ 8.5 bar(e) GA132+ 8.5 bar(e) GA160 8.5 bar(e) GA110 10 bar(e) GA132 10 bar(e) GA90+ 10 bar(e) GA110+ 10 bar(e) GA132+ 10 bar(e) GA160+ 10 bar(e) GA160 10 bar(e) GA90+ 14 bar(e) GA110+ 14 bar(e) GA132+ 14 bar(e) GA160+ 14 bar(e) 500V 50 Hz IEC GA132 7.5 bar(e) GA160 7.5 bar(e) GA90+ 7.5 bar(e) GA110+ 7.5 bar(e) GA90+ 8.5 bar(e) GA110+ 8.5 bar(e) GA132+ 8.5 bar(e) GA160 8.5 bar(e) GA90+ 10 bar(e) GA110+ 10 bar(e) GA132+ 10 bar(e) GA160+ 10 bar(e) GA90+ 14 bar(e) GA110+ 14 bar(e) GA132+ 14 bar(e) GA160+ 14 bar(e) 525V 50 Hz IEC GA110 7.5 bar(e) GA132 7.5 bar(e) GA160 7.5 bar(e) GA90+ 7.5 bar(e) GA110+ 7.5 bar(e) GA110 8.5 bar(e) GA90+ 8.5 bar(e) GA110+ 8.5 bar(e)		

# 24



73725

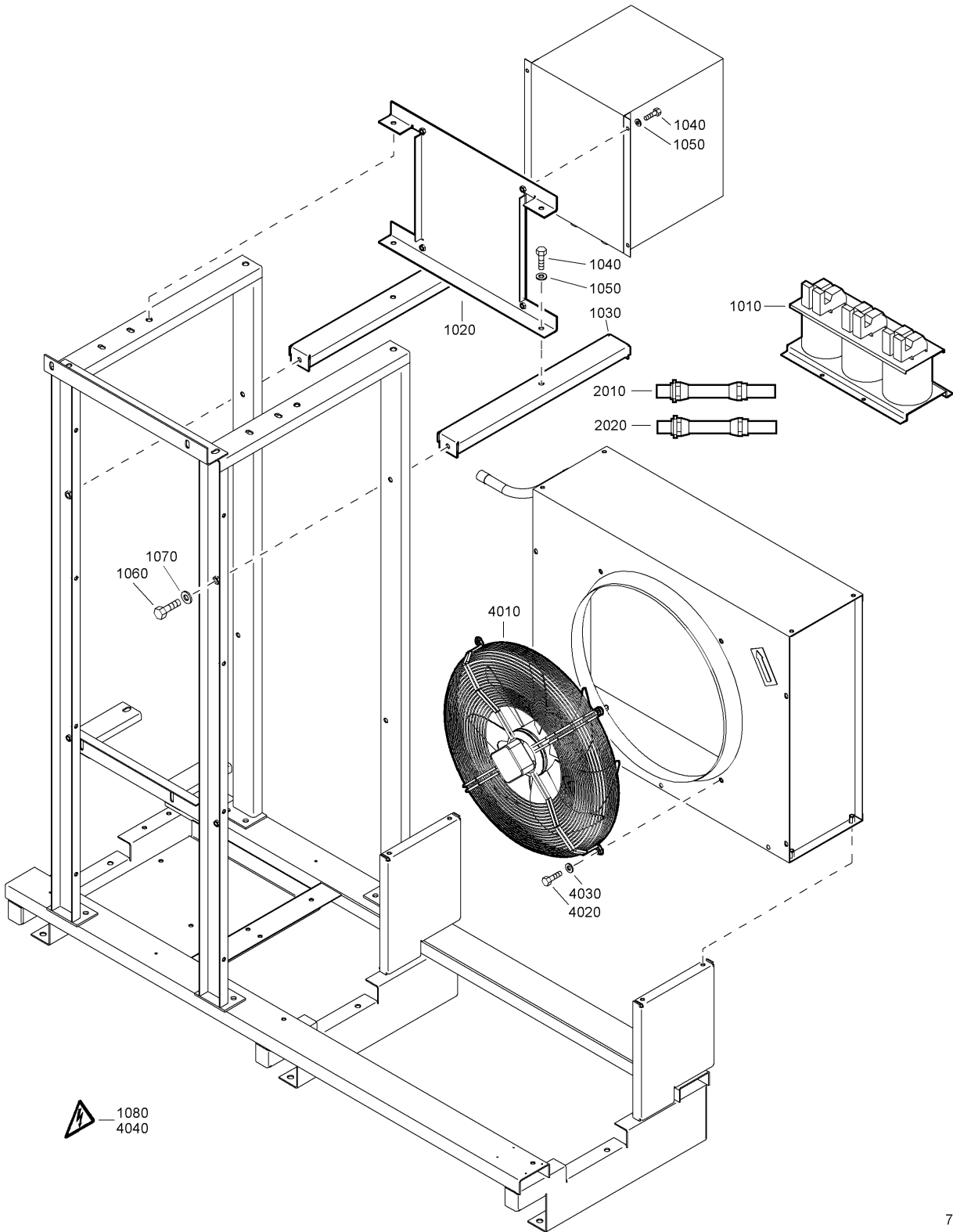
73725



## Air dryer - Electrical components - Air cooled

Ref.	Partnumber	Qty	Name	Remarks	Ref.	Partnumber	Qty	Name	Remarks
			GA132 8.5 bar(e)					500V 50 Hz IEC	
			GA132+ 8.5 bar(e)					GA90+ 5.5 bar(e)	
			GA160 8.5 bar(e)					GA132+ 7.5 bar(e)	
			GA110 10 bar(e)					525V 50 Hz IEC	
			GA132 10 bar(e)					GA90+ 5.5 bar(e)	
			GA90+ 10 bar(e)					GA132+ 7.5 bar(e)	
			GA110+ 10 bar(e)					550V 50 Hz IEC	
			GA132+ 10 bar(e)					GA90+ 5.5 bar(e)	
			GA160+ 10 bar(e)					GA132+ 7.5 bar(e)	
			GA160 10 bar(e)					440V 60 Hz IEC	
			GA90+ 14 bar(e)					GA90+ 5.2 bar(e)	
			GA110+ 14 bar(e)					GA110+ 5.2 bar(e)	
			GA132+ 14 bar(e)					GA132+ 5.2 bar(e)	
			GA160+ 14 bar(e)					GA132+ 6.9 bar(e)	
			550V 50 Hz IEC		2010	16174611 00	1	Wiring	
			GA110 7.5 bar(e)		2020	16174615 00	1	Wiring	
			GA132 7.5 bar(e)					400V 50 Hz	
			GA160 7.5 bar(e)					GA110+ 5.5 bar(e)	
			GA90+ 7.5 bar(e)					400V 50 Hz IEC	
			GA110+ 7.5 bar(e)					GA132+ 5.5 bar(e)	
			GA110 8.5 bar(e)		2010	16277684 00	1	Wiring	
			GA90+ 8.5 bar(e)		2020	16174615 00	1	Wiring	
			GA110+ 8.5 bar(e)					380V 50 Hz	
			GA132 8.5 bar(e)					GA110+ 5.5 bar(e)	
			GA132+ 8.5 bar(e)					500V 50 Hz	
			GA160 8.5 bar(e)					GA110+ 5.5 bar(e)	
			GA110 10 bar(e)					525V 50 Hz	
			GA132 10 bar(e)					GA110+ 5.5 bar(e)	
			GA90+ 10 bar(e)					550V 50 Hz	
			GA110+ 10 bar(e)					GA110+ 5.5 bar(e)	
			GA132+ 10 bar(e)					380V 50 Hz IEC	
			GA160+ 10 bar(e)					GA132+ 5.5 bar(e)	
			GA160 10 bar(e)					500V 50 Hz IEC	
			GA90+ 14 bar(e)					GA132+ 5.5 bar(e)	
			GA110+ 14 bar(e)					525V 50 Hz IEC	
			GA132+ 14 bar(e)					GA132+ 5.5 bar(e)	
			GA160+ 14 bar(e)					550V 50 Hz IEC	
			440V 60 Hz IEC					GA132+ 5.5 bar(e)	
			GA110 6.9 bar(e)		2010	16277685 00	1	Wiring	
			GA132 6.9 bar(e)		2020	16174615 00	1	Wiring	
			GA160 6.9 bar(e)					575V 60 Hz CSA-UL	
			GA90+ 6.9 bar(e)					GA110+ 5.2 bar(e)	
			GA110+ 6.9 bar(e)					GA132+ 5.2 bar(e)	
			GA110 8.6 bar(e)		2010	16277683 00	1	Wiring	
			GA132 8.6 bar(e)		2020	16170198 00	1	Wiring	
			GA90+ 8.6 bar(e)					380V 50Hz IEC	
			GA110+ 8.6 bar(e)					GA90+ 5.5 bar(e)	
			GA132+ 8.6 bar(e)					GA110 7.5 bar(e)	
			GA160 8.6 bar(e)					GA132 7.5 bar(e)	
			GA110 10.4 bar(e)					GA132+ 7.5 bar(e)	
			GA132 10.4 bar(e)					GA110 8.5 bar(e)	
			GA90+ 10.4 bar(e)					GA132 8.5 bar(e)	
			GA110+ 10.4 bar(e)					GA160 8.5 bar(e)	
			GA132+ 10.4 bar(e)					GA110 10 bar(e)	
			GA160+ 10.4 bar(e)					GA132 10 bar(e)	
			GA160 10.4 bar(e)					GA160 10 bar(e)	
			GA90+ 13.8 bar(e)					400V 50Hz IEC	
			GA110+ 13.8 bar(e)					GA90+ 5.5 bar(e)	
			GA132+ 13.8 bar(e)					GA110 7.5 bar(e)	
			GA160+ 13.8 bar(e)					GA132 7.5 bar(e)	
2010	16174612 00	1	Wiring					GA132+ 7.5 bar(e)	
2020	16174613 00	1	Wiring					GA110 8.5 bar(e)	
			380V 50 Hz IEC					GA132 8.5 bar(e)	
			GA90+ 5.5 bar(e)					GA160 8.5 bar(e)	
			GA132+ 7.5 bar(e)					GA110 10 bar(e)	

# 24



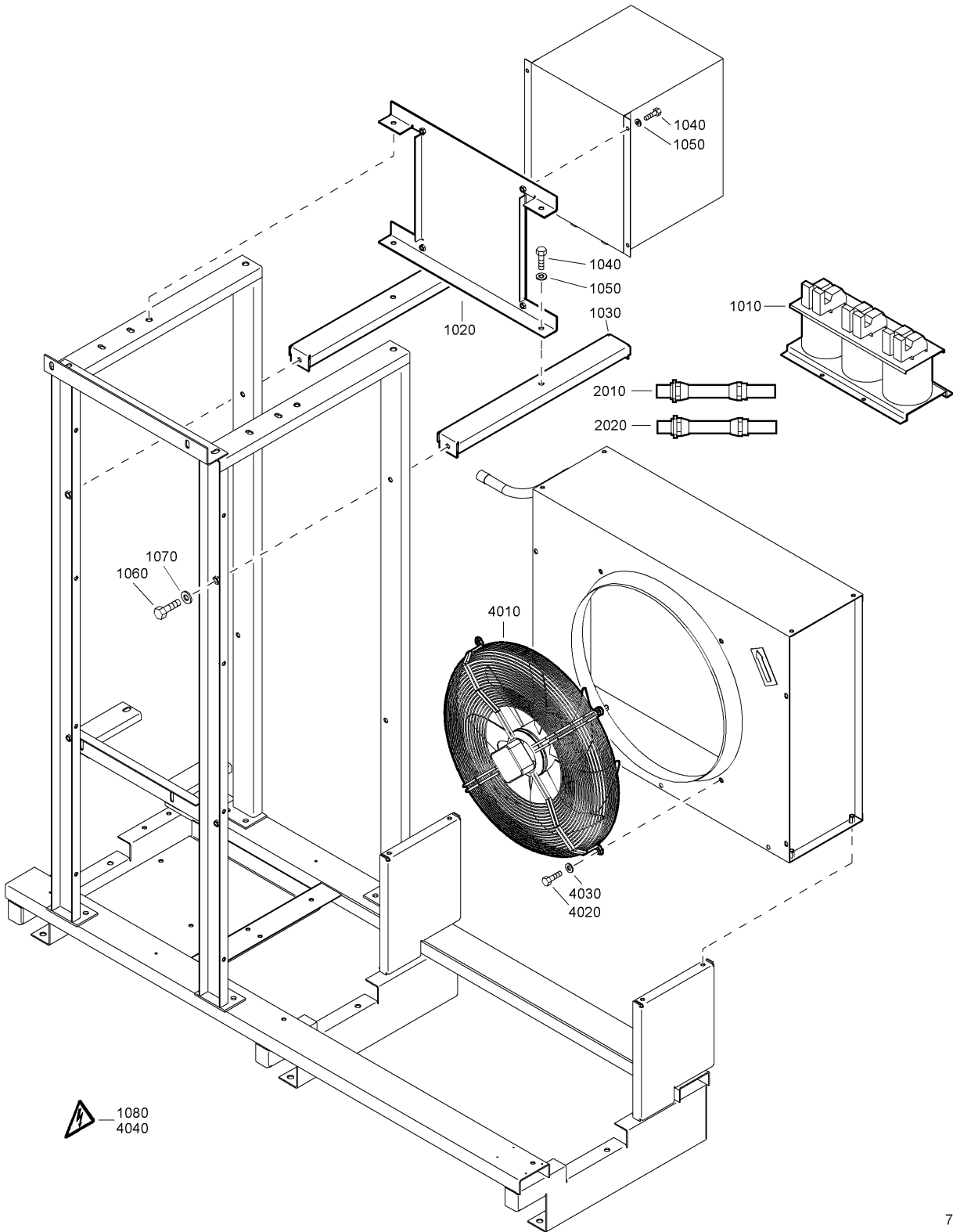
73725

73725

## Air dryer - Electrical components - Air cooled

Ref.	Part number	Qty	Name	Remarks	Ref.	Part number	Qty	Name	Remarks
			GA132 10 bar(e)					GA90+ 7.5 bar(e)	
			GA160 10 bar(e)					GA110+ 7.5 bar(e)	
			500V 50Hz IEC					GA90+ 8.5 bar(e)	
			GA90+ 5.5 bar(e)					GA110+ 8.5 bar(e)	
			GA132 7.5 bar(e)					GA132+ 8.5 bar(e)	
			GA132+ 7.5 bar(e)					GA90+ 10 bar(e)	
			GA160 8.5 bar(e)					GA110+ 10 bar(e)	
			525V 50Hz IEC					GA132+ 10 bar(e)	
			GA90+ 5.5 bar(e)					GA160+ 10 bar(e)	
			GA110 7.5 bar(e)					GA90+ 14 bar(e)	
			GA132 7.5 bar(e)					GA110+ 14 bar(e)	
			GA132+ 7.5 bar(e)					GA132+ 14 bar(e)	
			GA110 8.5 bar(e)					GA160+ 14 bar(e)	
			GA132 8.5 bar(e)					400V 50Hz IEC	
			GA160 8.5 bar(e)					GA132+ 5.5 bar(e)	
			GA110 10 bar(e)					GA90+ 7.5 bar(e)	
			GA132 10 bar(e)					GA110+ 7.5 bar(e)	
			GA160 10 bar(e)					GA90+ 8.5 bar(e)	
			550V 50Hz IEC					GA110+ 8.5 bar(e)	
			GA90+ 5.5 bar(e)					GA132+ 8.5 bar(e)	
			GA110 7.5 bar(e)					GA90+ 10 bar(e)	
			GA132 7.5 bar(e)					GA110+ 10 bar(e)	
			GA132+ 7.5 bar(e)					GA132+ 10 bar(e)	
			GA110 8.5 bar(e)					GA160+ 10 bar(e)	
			GA132 8.5 bar(e)					GA90+ 14 bar(e)	
			GA160 8.5 bar(e)					GA110+ 14 bar(e)	
			GA110 10 bar(e)					GA132+ 14 bar(e)	
			GA132 10 bar(e)					GA160+ 14 bar(e)	
			GA160 10 bar(e)					500V 50Hz IEC	
			380V 60Hz IEC					GA132+ 5.5 bar(e)	
			GA90+ 5.2 bar(e)					GA90+ 7.5 bar(e)	
			GA110 6.9 bar(e)					GA110+ 7.5 bar(e)	
			GA132 6.9 bar(e)					GA90+ 8.5 bar(e)	
			GA132+ 6.9 bar(e)					GA110+ 8.5 bar(e)	
			GA110 8.6 bar(e)					GA132+ 8.5 bar(e)	
			GA132 8.6 bar(e)					GA90+ 10 bar(e)	
			GA160 8.6 bar(e)					GA110+ 10 bar(e)	
			GA110 10.4 bar(e)					GA132+ 10 bar(e)	
			GA132 10.4 bar(e)					GA160+ 10 bar(e)	
			GA160 10.4 bar(e)					GA90+ 14 bar(e)	
4010	16174573 80	1	Fan					GA110+ 14 bar(e)	
4020	0147 1325 03	4	Bolt					GA132+ 14 bar(e)	
4030	0300 0274 34	4	Washer					GA160+ 14 bar(e)	
4040	1088 1001 01	1	Warning mark					525V 50Hz IEC	
			380V 50Hz IEC					GA132+ 5.5 bar(e)	
			GA110+ 5.5 bar(e)					GA90+ 7.5 bar(e)	
			GA160 7.5 bar(e)					GA110+ 7.5 bar(e)	
			400V 50Hz IEC					GA90+ 8.5 bar(e)	
			GA110+ 5.5 bar(e)					GA110+ 8.5 bar(e)	
			GA160 7.5 bar(e)					GA132+ 8.5 bar(e)	
			500V 50Hz IEC					GA90+ 10 bar(e)	
			GA110+ 5.5 bar(e)					GA110+ 10 bar(e)	
			GA160 7.5 bar(e)					GA132+ 10 bar(e)	
			525V 50Hz IEC					GA160+ 10 bar(e)	
			GA110+ 5.5 bar(e)					GA90+ 14 bar(e)	
			GA160 7.5 bar(e)					GA110+ 14 bar(e)	
			550V 50Hz IEC					GA132+ 14 bar(e)	
			GA110+ 5.5 bar(e)					GA160+ 14 bar(e)	
			GA160 7.5 bar(e)					550V 50Hz IEC	
4010	16174569 80	1	Fan					GA132+ 5.5 bar(e)	
4020	0147 1325 03	4	Bolt					GA90+ 7.5 bar(e)	
4030	0300 0274 34	4	Washer					GA110+ 7.5 bar(e)	
4040	1088 1001 01	1	Warning mark					GA90+ 8.5 bar(e)	
			380V 50Hz IEC					GA110+ 8.5 bar(e)	
			GA132+ 5.5 bar(e)					GA132+ 8.5 bar(e)	

# 24



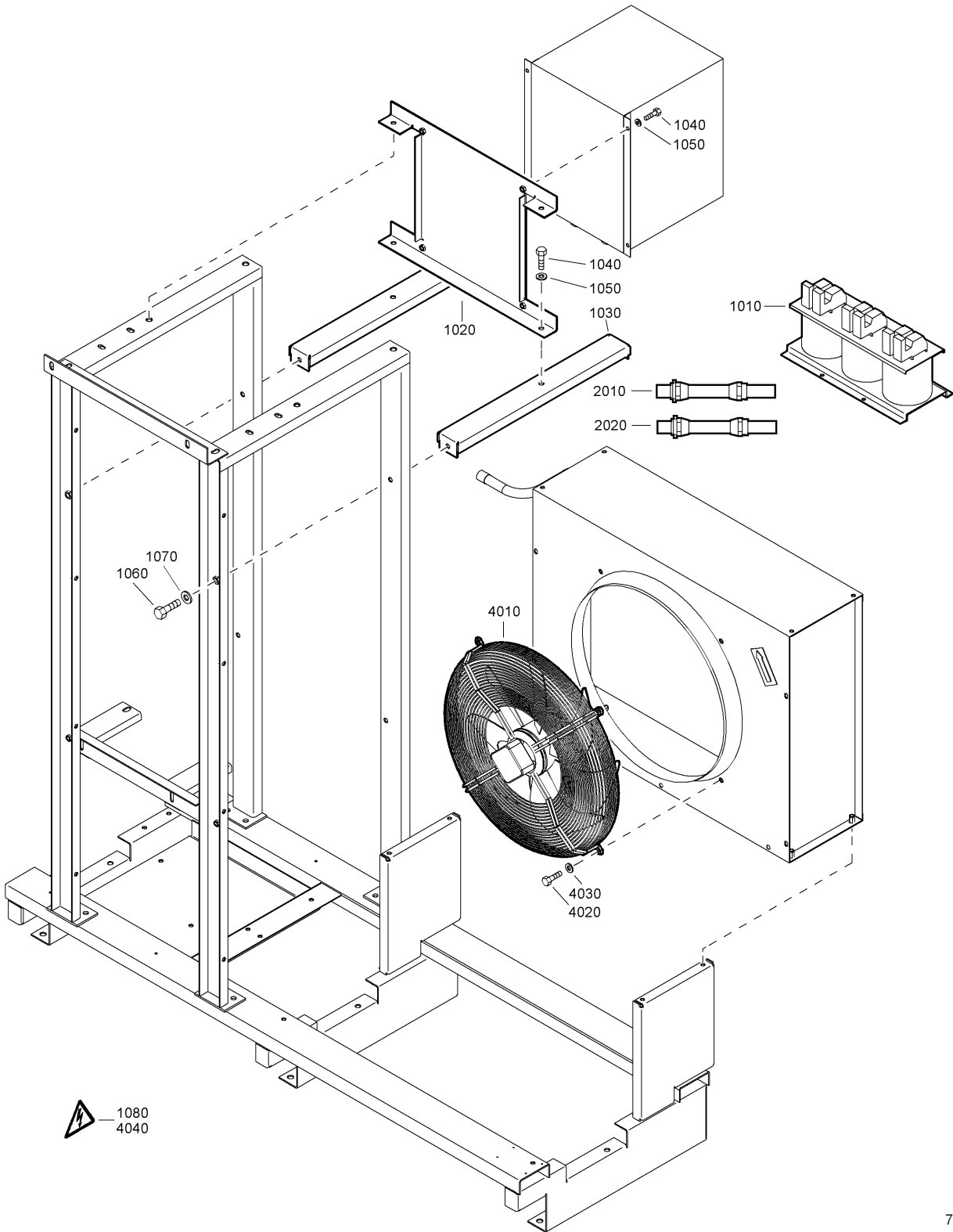
73725

73725

## Air dryer - Electrical components - Air cooled

Ref.	Partnumber	Qty	Name	Remarks	Ref.	Partnumber	Qty	Name	Remarks
			GA90+ 10 bar(e)		4010	16174576 80	1	Fan	
			GA110+ 10 bar(e)		4020	0147 1325 03	4	Bolt	
			GA132+ 10 bar(e)		4030	0300 0274 34	4	Washer	
			GA160+ 10 bar(e)		4040	1088 1001 01	1	Warning mark	
			GA90+ 14 bar(e)					380V 60Hz IEC	
			GA110+ 14 bar(e)					GA160 6.9 bar(e)	
			GA132+ 14 bar(e)					440V 60Hz IEC	
			GA160+ 14 bar(e)					GA160 6.9 bar(e)	
4010	16174233 80	1	Fan assembly					460V 60Hz CSA-UL	
4020	0147 1325 03	4	Bolt					GA160 6.9 bar(e)	
4030	0300 0274 34	4	Washer		4010	16174571 80	1	Fan	
4040	1088 1001 01	1	Warning mark		4020	0147 1325 03	4	Bolt	
			500V 50Hz IEC		4030	0300 0274 34	4	Washer	
			GA110 7.5 bar(e)		4040	1088 1001 01	1	Warning mark	
			GA110 8.5 bar(e)					440V 60Hz IEC	
			GA132 8.5 bar(e)					GA110+ 5.2 bar(e)	
			GA110 10 bar(e)					GA132+ 5.2 bar(e)	
			GA132 10 bar(e)					GA90+ 6.9 bar(e)	
			GA160 10 bar(e)					GA110+ 6.9 bar(e)	
4010	16174574 80	1	Fan					GA90+ 8.6 bar(e)	
4020	0147 1325 03	4	Bolt					GA110+ 8.6 bar(e)	
4030	0300 0274 34	4	Washer					GA132+ 8.6 bar(e)	
4040	1088 1001 01	1	Warning mark					GA90+ 10.4 bar(e)	
			380V 60Hz IEC					GA110+ 10.4 bar(e)	
			GA110+ 5.2 bar(e)					GA132+ 10.4 bar(e)	
			GA132+ 5.2 bar(e)					GA160+ 10.4 bar(e)	
			GA90+ 6.9 bar(e)					GA90+ 13.8 bar(e)	
			GA110+ 6.9 bar(e)					GA110+ 13.8 bar(e)	
			GA90+ 8.6 bar(e)					GA132+ 13.8 bar(e)	
			GA110+ 8.6 bar(e)					GA160+ 13.8 bar(e)	
			GA132+ 8.6 bar(e)					460V 60Hz CSA-UL	
			GA90+ 10.4 bar(e)					GA110+ 5.2 bar(e)	
			GA110+ 10.4 bar(e)					GA132+ 5.2 bar(e)	
			GA132+ 10.4 bar(e)					GA90+ 6.9 bar(e)	
			GA160+ 10.4 bar(e)					GA110+ 6.9 bar(e)	
			GA90+ 13.8 bar(e)					GA90+ 8.6 bar(e)	
			GA110+ 13.8 bar(e)					GA110+ 8.6 bar(e)	
			GA132+ 13.8 bar(e)					GA132+ 8.6 bar(e)	
			GA160+ 13.8 bar(e)					GA90+ 10.4 bar(e)	
4010	16174568 80	1	Fan					GA110+ 10.4 bar(e)	
4020	0147 1325 03	4	Bolt					GA132+ 10.4 bar(e)	
4030	0300 0274 34	4	Washer					GA160+ 10.4 bar(e)	
4040	1088 1001 01	1	Warning mark					GA90+ 13.8 bar(e)	
			440V 60Hz IEC					GA110+ 13.8 bar(e)	
			GA90+ 5.2 bar(e)					GA132+ 13.8 bar(e)	
			GA110 6.9 bar(e)					GA160+ 13.8 bar(e)	
			GA132 6.9 bar(e)					575V 60Hz CSA-UL	
			GA132+ 6.9 bar(e)					GA110+ 5.2 bar(e)	
			GA110 8.6 bar(e)					GA132+ 5.2 bar(e)	
			GA132 8.6 bar(e)					GA90+ 6.9 bar(e)	
			GA160 8.6 bar(e)					GA110+ 6.9 bar(e)	
			GA110 10.4 bar(e)					GA90+ 8.6 bar(e)	
			GA132 10.4 bar(e)					GA110+ 8.6 bar(e)	
			460V 60Hz CSA-UL					GA132+ 8.6 bar(e)	
			GA90+ 5.2 bar(e)					GA90+ 10.4 bar(e)	
			GA110 6.9 bar(e)					GA110+ 10.4 bar(e)	
			GA132 6.9 bar(e)					GA132+ 10.4 bar(e)	
			GA132+ 6.9 bar(e)					GA160+ 10.4 bar(e)	
			GA110 8.6 bar(e)					GA90+ 13.8 bar(e)	
			GA132 8.6 bar(e)					GA110+ 13.8 bar(e)	
			GA160 8.6 bar(e)					GA132+ 13.8 bar(e)	
			GA110 10.4 bar(e)					GA160+ 13.8 bar(e)	
			GA132 10.4 bar(e)		4010	16174568 80	1	Fan	
			GA160 10.4 bar(e)		4020	0147 1325 03	4	Bolt	
			GA160 10.4 bar(e)		4030	0300 0274 34	4	Washer	

# 24



73725

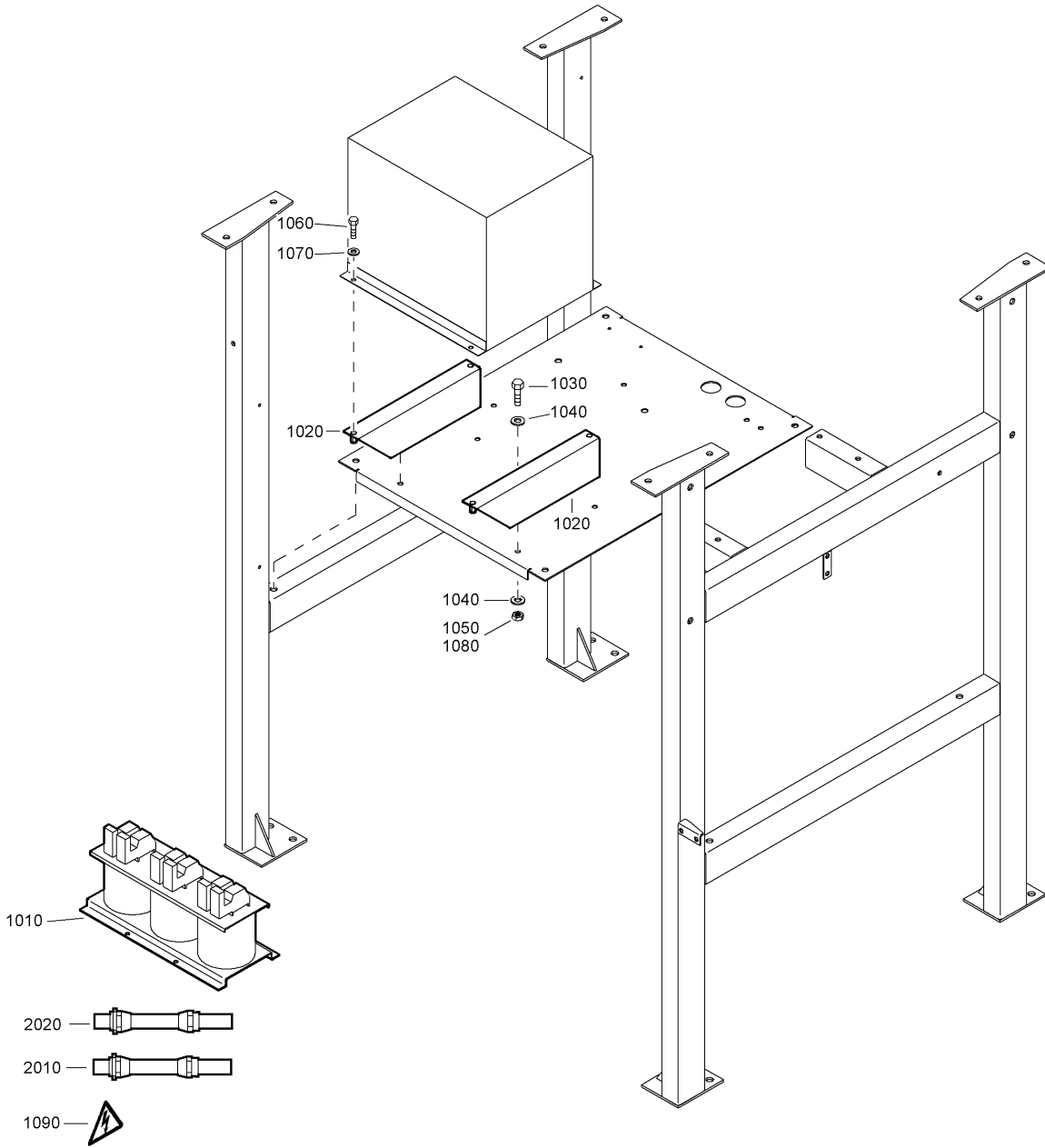
73725

## Air dryer - Electrical components - Air cooled

24

Ref.	Partnumber	Qty	Name	Remarks	Ref.	Partnumber	Qty	Name	Remarks
4040	1088 1001 01	1	Warning mark <b>575V 60Hz CSA-UL</b> <b>GA90+ 5.2 bar(e)</b> <b>GA110 6.9 bar(e)</b> <b>GA132 6.9 bar(e)</b> <b>GA132+ 6.9 bar(e)</b> <b>GA110 8.6 bar(e)</b> <b>GA132 8.6 bar(e)</b> <b>GA160 8.6 bar(e)</b> <b>GA110 10.4 bar(e)</b> <b>GA132 10.4 bar(e)</b>		4010	1617 2582 80	1	<b>GA160 10.4 bar(e)</b> Fan assembly	
					4020	0147 1325 03	4	Bolt	
					4030	0300 0274 34	4	Washer	
					4040	1088 1001 01	1	Warning mark <b>575V 60Hz CSA-UL</b> <b>GA160 6.9 bar(e)</b>	
					4010	1617 3898 80	1	Fan assembly	
					4020	0147 1325 03	4	Bolt	
					4030	0300 0274 34	4	Washer	
					4040	1088 1001 01	1	Warning mark	

# 25



73726

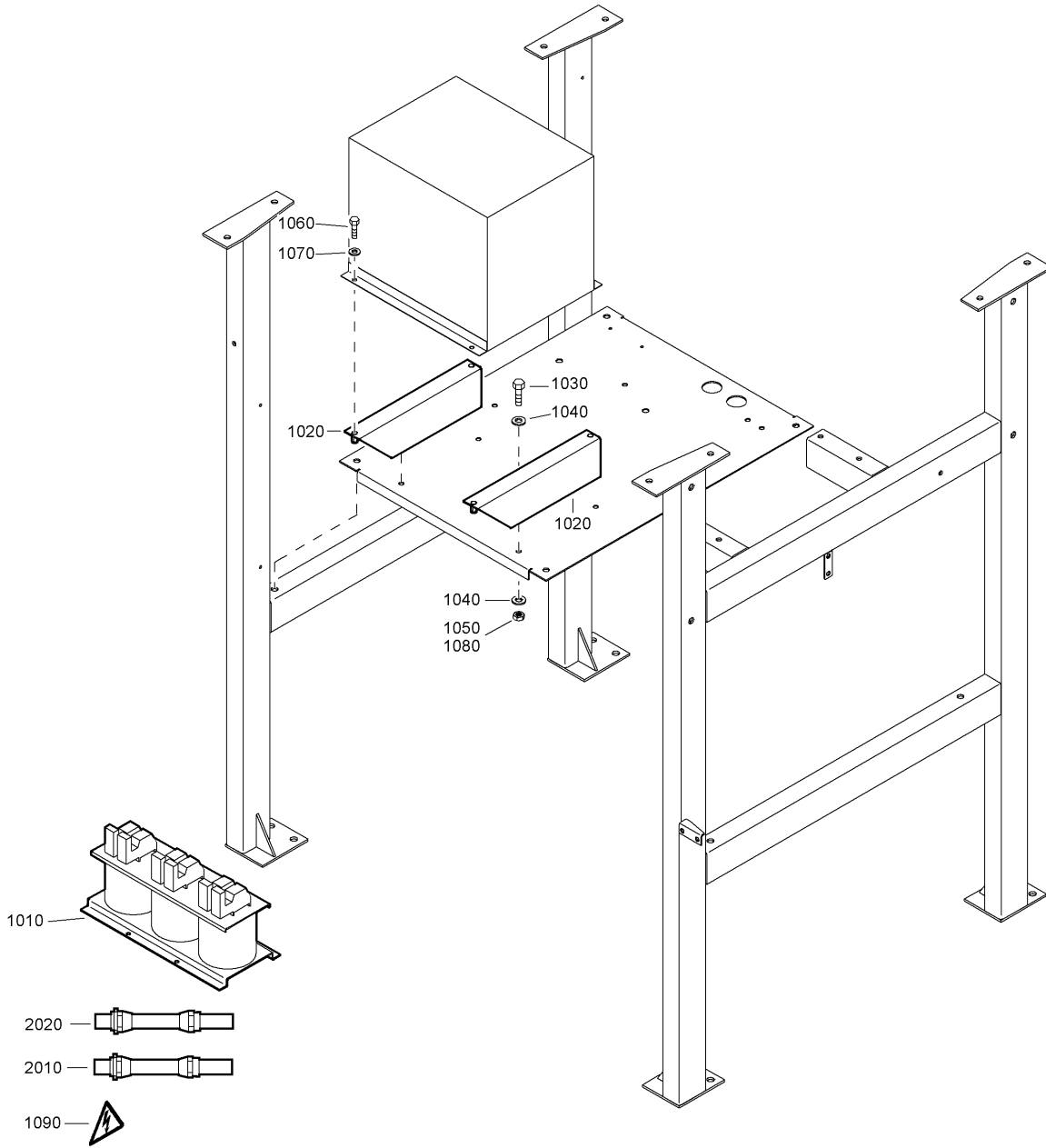
73726



## Air dryer - Electrical components - Water cooled

Ref.	Partnumber	Qty	Name	Remarks	Ref.	Partnumber	Qty	Name	Remarks
			<b>380V 50 Hz IEC</b>					<b>GA90+ 6.9 bar(e)</b>	
			<b>GA90+ 5.5 bar(e)</b>					<b>GA110+ 6.9 bar(e)</b>	
			<b>GA110+ 5.5 bar(e)</b>					<b>GA132+ 6.9 bar(e)</b>	
			<b>GA132+ 5.5 bar(e)</b>		1010	1089 9425 25	1	Transformer	
			<b>GA110 7.5 bar(e)</b>		1020	1617 4367 80	2	Support	
			<b>GA132 7.5 bar(e)</b>		1030	0147 1340 03	4	Bolt	
			<b>GA160 7.5 bar(e)</b>		1040	0301 2335 00	8	Plain washer	
			<b>GA90+ 7.5 bar(e)</b>		1050	0266 2110 00	4	Hexagon nut	
			<b>GA110+ 7.5 bar(e)</b>		1060	0147 1325 03	4	Bolt	
			<b>GA132+ 7.5 bar(e)</b>		1070	0301 2335 00	4	Plain washer	
			<b>GA110 8.5 bar(e)</b>		1080	0266 2110 00	4	Hexagon nut	
			<b>GA90+ 8.5 bar(e)</b>		1090	1088 1001 04	1	Warning mark	
			<b>GA110+ 8.5 bar(e)</b>					<b>575V 60 Hz CSA-UL</b>	
			<b>GA132 8.5 bar(e)</b>					<b>GA110+ 5.2 bar(e)</b>	
			<b>GA132+ 8.5 bar(e)</b>					<b>GA132+ 5.2 bar(e)</b>	
			<b>GA160 8.5 bar(e)</b>		1010	1089 9425 26	1	Transformer	
			<b>GA110 10 bar(e)</b>		1020	1617 4367 80	2	Support	
			<b>GA132 10 bar(e)</b>		1030	0147 1340 03	4	Bolt	
			<b>GA90+ 10 bar(e)</b>		1040	0301 2335 00	8	Plain washer	
			<b>GA110+ 10 bar(e)</b>		1050	0266 2110 00	4	Hexagon nut	
			<b>GA132+ 10 bar(e)</b>		1060	0147 1325 03	4	Bolt	
			<b>GA160+ 10 bar(e)</b>		1070	0301 2335 00	4	Plain washer	
			<b>GA90+ 14 bar(e)</b>		1080	0266 2110 00	4	Hexagon nut	
			<b>GA110+ 14 bar(e)</b>		1090	1088 1001 04	1	Warning mark	
			<b>GA132+ 14 bar(e)</b>					<b>460V 60 Hz CSA-UL</b>	
			<b>GA160+ 14 bar(e)</b>					<b>GA132+ 6.9 bar(e)</b>	
1010	1089 9425 23	1	Transformer					<b>GA132+ 6.9 bar(e)</b>	
1020	1617 4367 80	2	Support		2010	1617 0195 00	1	Wiring	
1030	0147 1340 03	4	Bolt		2020	1617 0198 00	1	Wiring	
1040	0301 2335 00	8	Plain washer					<b>460V 60 Hz CSA-UL</b>	
1050	0266 2110 00	4	Hexagon nut					<b>GA90+ 5.2 bar(e)</b>	
1060	0147 1325 03	4	Bolt					<b>GA110+ 5.2 bar(e)</b>	
1070	0301 2335 00	4	Plain washer					<b>GA132+ 5.2 bar(e)</b>	
1080	0266 2110 00	4	Hexagon nut					<b>GA110 6.9 bar(e)</b>	
1090	1088 1001 04	1	Warning mark					<b>GA132 6.9 bar(e)</b>	
			<b>500V 50 Hz IEC</b>					<b>GA160 6.9 bar(e)</b>	
			<b>GA160 7.5 bar(e)</b>					<b>GA90+ 6.9 bar(e)</b>	
			<b>GA132+ 7.5 bar(e)</b>					<b>GA110+ 6.9 bar(e)</b>	
			<b>525V 50 Hz IEC</b>					<b>GA132+ 6.9 bar(e)</b>	
			<b>GA110 7.5 bar(e)</b>					<b>GA110 8.6 bar(e)</b>	
			<b>GA132 7.5 bar(e)</b>					<b>GA132 8.6 bar(e)</b>	
			<b>GA160 7.5 bar(e)</b>					<b>GA90+ 8.6 bar(e)</b>	
			<b>GA90+ 7.5 bar(e)</b>					<b>GA110+ 8.6 bar(e)</b>	
			<b>GA110+ 7.5 bar(e)</b>					<b>GA132+ 8.6 bar(e)</b>	
			<b>GA132+ 7.5 bar(e)</b>					<b>GA160 8.6 bar(e)</b>	
			<b>550V 50 Hz IEC</b>					<b>GA110 10.4 bar(e)</b>	
			<b>GA110 7.5 bar(e)</b>					<b>GA132 10.4 bar(e)</b>	
			<b>GA132 7.5 bar(e)</b>					<b>GA90+ 10.4 bar(e)</b>	
			<b>GA160 7.5 bar(e)</b>					<b>GA110+ 10.4 bar(e)</b>	
			<b>GA90+ 7.5 bar(e)</b>					<b>GA132+ 10.4 bar(e)</b>	
			<b>GA110+ 7.5 bar(e)</b>					<b>GA160+ 10.4 bar(e)</b>	
			<b>GA132+ 7.5 bar(e)</b>					<b>GA90+ 13.8 bar(e)</b>	
1010	1089 9425 24	1	Transformer					<b>GA110+ 13.8 bar(e)</b>	
1020	1617 4367 80	2	Support					<b>GA132+ 13.8 bar(e)</b>	
1030	0147 1340 03	4	Bolt					<b>GA160+ 13.8 bar(e)</b>	
1040	0301 2335 00	8	Plain washer					<b>575V 60 Hz CSA-UL</b>	
1050	0266 2110 00	4	Hexagon nut					<b>GA90+ 5.2 bar(e)</b>	
1060	0147 1325 03	4	Bolt					<b>GA110 6.9 bar(e)</b>	
1070	0301 2335 00	4	Plain washer					<b>GA132 6.9 bar(e)</b>	
1080	0266 2110 00	4	Hexagon nut					<b>GA160 6.9 bar(e)</b>	
1090	1088 1001 04	1	Warning mark					<b>GA90+ 6.9 bar(e)</b>	
			<b>440V 60 Hz IEC</b>					<b>GA110+ 6.9 bar(e)</b>	
			<b>GA110 6.9 bar(e)</b>					<b>GA132+ 6.9 bar(e)</b>	
			<b>GA132 6.9 bar(e)</b>					<b>GA110 8.6 bar(e)</b>	
			<b>GA160 6.9 bar(e)</b>					<b>GA132 8.6 bar(e)</b>	

# 25



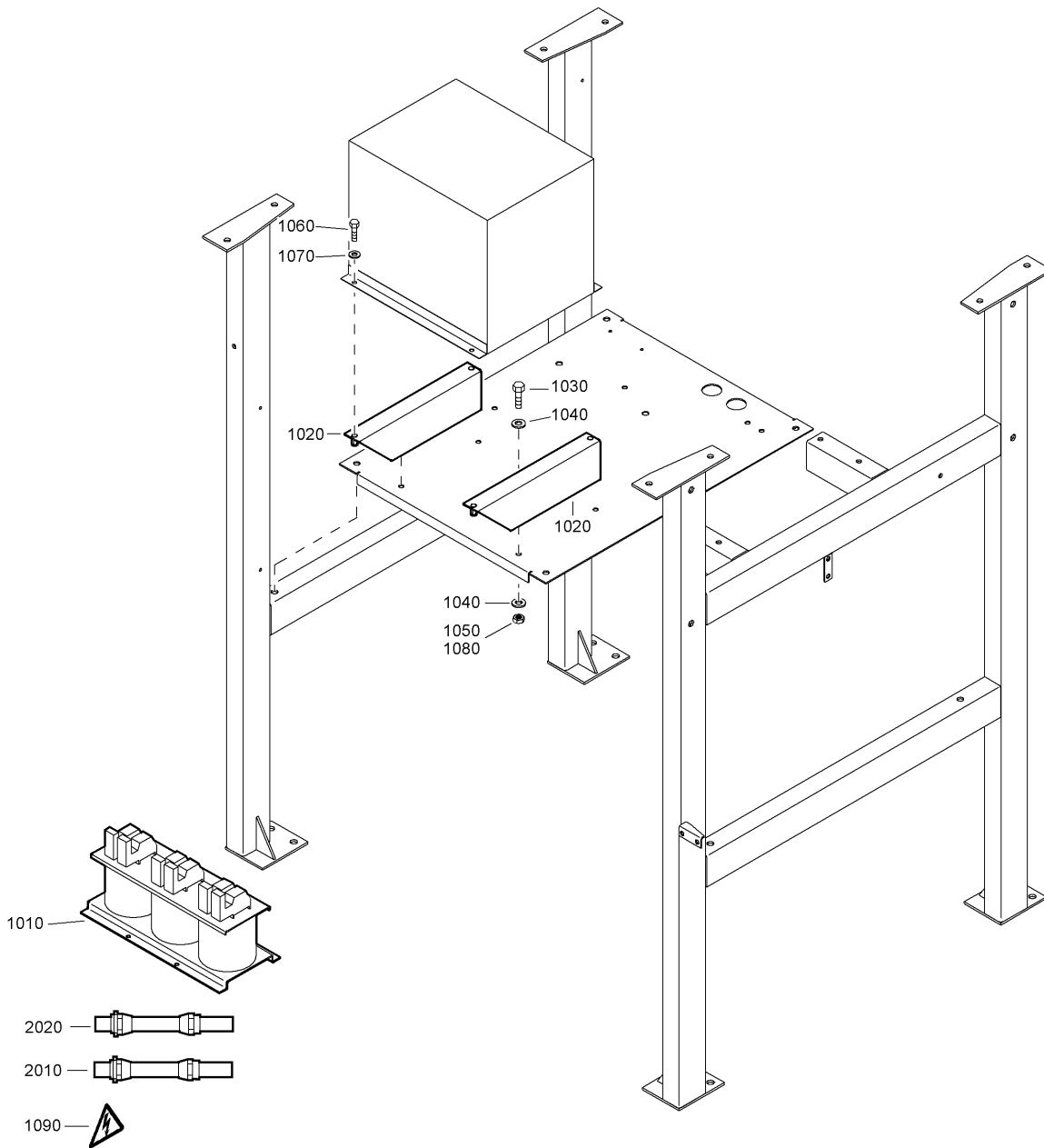
73726

73726

## Air dryer - Electrical components - Water cooled

Ref.	Partnumber	Qty	Name	Remarks	Ref.	Partnumber	Qty	Name	Remarks
			GA90+ 8.6 bar(e)					GA160+ 14 bar(e)	
			GA110+ 8.6 bar(e)					GA110+ 14 bar(e)	
			GA132+ 8.6 bar(e)					GA132+ 14 bar(e)	
			GA160 8.6 bar(e)					GA160+ 14 bar(e)	
			GA110 10.4 bar(e)					380V 60 Hz IEC	
			GA132 10.4 bar(e)					GA90+ 5.2 bar(e)	
			GA90+ 10.4 bar(e)					GA110+ 5.2 bar(e)	
			GA110+ 10.4 bar(e)					GA132+ 5.2 bar(e)	
			GA132+ 10.4 bar(e)					GA110 6.9 bar(e)	
			GA160+ 10.4 bar(e)					GA132 6.9 bar(e)	
			GA90+ 13.8 bar(e)					GA160 6.9 bar(e)	
			GA110+ 13.8 bar(e)					GA90+ 6.9 bar(e)	
			GA132+ 13.8 bar(e)					GA110+ 6.9 bar(e)	
			GA160+ 13.8 bar(e)					GA132+ 6.9 bar(e)	
2010	1617017200	1	Wiring					GA110 8.6 bar(e)	
2020	1617017800	1	Wiring					GA132 8.6 bar(e)	
			575V 60 Hz 5.2 bar CSA-UL					GA90+ 8.6 bar(e)	
			GA110+ / 150+					GA110+ 8.6 bar(e)	
			GA132+ / 175					GA132+ 8.6 bar(e)	
2010	1617026000	1	Wiring					GA160 8.6 bar(e)	
2020	1617017800	1	Wiring					GA132+ 10.4 bar(e)	
			400V 50 Hz IEC					GA110 10.4 bar(e)	
			GA90+ 5.5 bar(e)					GA132 10.4 bar(e)	
			GA110+ 5.5 bar(e)					GA90+ 10.4 bar(e)	
			GA110 7.5 bar(e)					GA110+ 10.4 bar(e)	
			GA132 7.5 bar(e)					GA160+ 10.4 bar(e)	
			GA160 7.5 bar(e)					GA90+ 13.8 bar(e)	
			GA90+ 7.5 bar(e)					GA110+ 13.8 bar(e)	
			GA110+ 7.5 bar(e)					GA132+ 13.8 bar(e)	
			GA132+ 7.5 bar(e)					GA160+ 13.8 bar(e)	
			GA110 8.5 bar(e)		2010	1617460800	1	Wiring	
			GA90+ 8.5 bar(e)		2020	1617461400	1	Wiring	
			GA110+ 8.5 bar(e)					380V 50 Hz IEC	
			GA132 8.5 bar(e)					GA90+ 5.5 bar(e)	
			GA132+ 8.5 bar(e)					GA110+ 5.5 bar(e)	
			GA160 8.5 bar(e)					GA132+ 5.5 bar(e)	
			GA110 10 bar(e)					GA110 7.5 bar(e)	
			GA132 10 bar(e)					GA132 7.5 bar(e)	
			GA90+ 10 bar(e)					GA160 7.5 bar(e)	
			GA110+ 10 bar(e)					GA90+ 7.5 bar(e)	
			GA132+ 10 bar(e)					GA110+ 7.5 bar(e)	
			GA160+ 10 bar(e)					GA132+ 7.5 bar(e)	
			GA160 10 bar(e)					GA110 8.5 bar(e)	
			GA90+ 14 bar(e)					GA90+ 8.5 bar(e)	
			GA110+ 14 bar(e)					GA110+ 8.5 bar(e)	
			GA132+ 14 bar(e)					GA132 8.5 bar(e)	
			GA160+ 14 bar(e)					GA132+ 8.5 bar(e)	
			500V 50 Hz IEC					GA160 8.5 bar(e)	
			GA110 7.5 bar(e)					GA110 10 bar(e)	
			GA132 7.5 bar(e)					GA132 10 bar(e)	
			GA90+ 7.5 bar(e)					GA90+ 10 bar(e)	
			GA110+ 7.5 bar(e)					GA110+ 10 bar(e)	
			GA110 8.5 bar(e)					GA132+ 10 bar(e)	
			GA90+ 8.5 bar(e)					GA160+ 10 bar(e)	
			GA110+ 8.5 bar(e)					GA90+ 14 bar(e)	
			GA132 8.5 bar(e)					GA110+ 14 bar(e)	
			GA132+ 8.5 bar(e)					GA132+ 14 bar(e)	
			GA160 8.5 bar(e)					GA160+ 14 bar(e)	
			GA110 10 bar(e)					500V 50 Hz IEC	
			GA132 10 bar(e)					GA90+ 5.5 bar(e)	
			GA90+ 10 bar(e)					GA110+ 5.5 bar(e)	
			GA90+ 14 bar(e)					GA132+ 5.5 bar(e)	
			GA110+ 14 bar(e)					GA160 7.5 bar(e)	
			GA132+ 14 bar(e)					GA132+ 7.5 bar(e)	

# 25



73726

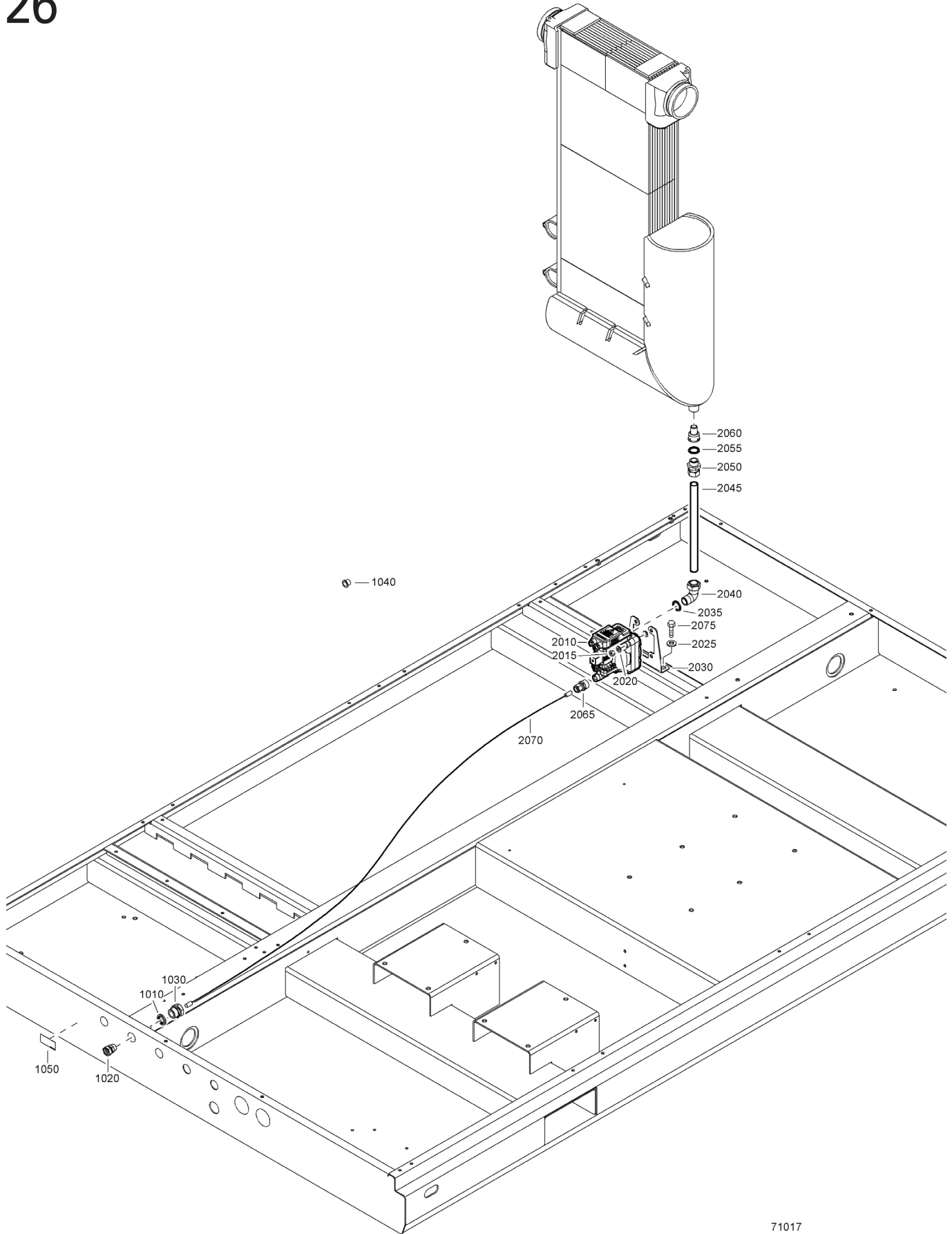
73726

## Air dryer - Electrical components - Water cooled

25

Ref.	Part number	Qty	525V 50 Hz IEC Name	Remarks	Ref.	Part number	Qty	GA132+ 8.5 bar(e) Name	Remarks
			GA110 7.5 bar(e)					GA160 8.5 bar(e)	
			GA132 7.5 bar(e)					GA110 10 bar(e)	
			GA160 7.5 bar(e)					GA132 10 bar(e)	
			GA90+ 7.5 bar(e)					GA90+ 10 bar(e)	
			GA110+ 7.5 bar(e)					GA110+ 10 bar(e)	
			GA132+ 7.5 bar(e)					GA132+ 10 bar(e)	
			GA90+ 5.5 bar(e)					GA160+ 10 bar(e)	
			GA110+ 5.5 bar(e)					GA90+ 14 bar(e)	
			GA132+ 5.5 bar(e)					GA110+ 14 bar(e)	
			GA110 8.5 bar(e)					GA132+ 14 bar(e)	
			GA90+ 8.5 bar(e)					GA160+ 14 bar(e)	
			GA110+ 8.5 bar(e)					440V 60 Hz IEC	
			GA132 8.5 bar(e)					GA90+ 5.2 bar(e)	
			GA132+ 8.5 bar(e)					GA110+ 5.2 bar(e)	
			GA160 8.5 bar(e)					GA132+ 5.2 bar(e)	
			GA110 10 bar(e)					GA110 5.2 bar(e)	
			GA132 10 bar(e)					GA132 5.2 bar(e)	
			GA90+ 10 bar(e)					GA90+ 5.2 bar(e)	
			GA110+ 10 bar(e)					GA110+ 5.2 bar(e)	
			GA132+ 10 bar(e)					GA132+ 5.2 bar(e)	
			GA160+ 10 bar(e)					GA160 5.2 bar(e)	
			GA90+ 14 bar(e)					GA110 5.2 bar(e)	
			GA110+ 14 bar(e)					GA132 5.2 bar(e)	
			GA132+ 14 bar(e)					GA90+ 5.2 bar(e)	
			GA160+ 14 bar(e)					GA110+ 5.2 bar(e)	
			550V 50 Hz IEC					GA132+ 5.2 bar(e)	
			GA110 7.5 bar(e)					GA160+ 5.2 bar(e)	
			GA132 7.5 bar(e)					GA90+ 5.2 bar(e)	
			GA160 7.5 bar(e)					GA110+ 5.2 bar(e)	
			GA90+ 7.5 bar(e)					GA132+ 5.2 bar(e)	
			GA110+ 7.5 bar(e)					GA160+ 5.2 bar(e)	
			GA132+ 7.5 bar(e)					GA110 6.9 bar(e)	
			GA90+ 5.5 bar(e)					GA132 6.9 bar(e)	
			GA110+ 5.5 bar(e)					GA160 6.9 bar(e)	
			GA132+ 5.5 bar(e)					GA90+ 6.9 bar(e)	
			GA110 8.5 bar(e)					GA110+ 6.9 bar(e)	
			GA90+ 8.5 bar(e)					GA132+ 6.9 bar(e)	
			GA110+ 8.5 bar(e)		2010	1617461000	1	Wiring	
			GA132 8.5 bar(e)		2020	1617461400	1	Wiring	

# 26



71017

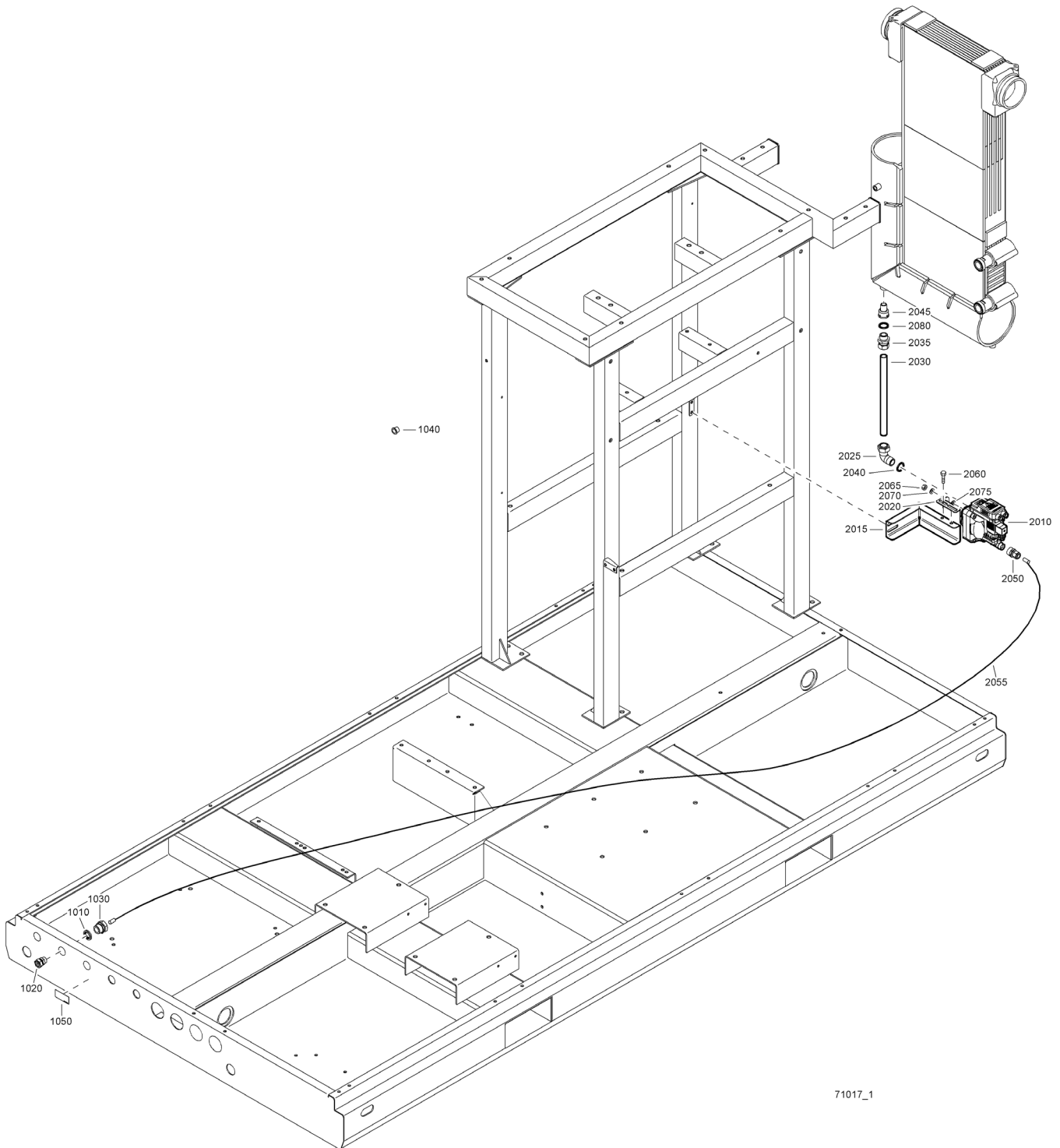
71017

## Air dryer - Water separator drain - Air cooled

26

Ref.	Partnumber	Qty	Name	Remarks	Ref.	Partnumber	Qty	Name	Remarks
1010	0661 1000 27	1	Seal washer		2030	1627 7948 00	1	Support	
1020	0581 0000 73	1	Str. coupl.		2035	0661 1000 29	1	Washer	
1030	0581 0000 86	1	Pipe coupling		2040	0580 2501 42	1	Fitting	
1040	0686 9130 00	1	Protecting plug		2045	1627 7695 00	1	Tube	
1050	1079 9910 96	1	Label		2050	0581 0001 03	1	Fitting	
			<b>Aircooled</b>		2055	0661 1000 29	1	Washer	
2010	1627 7933 00	1	Drain		2060	0607 2900 08	1	Socket	
2015	0266 2111 00	4	Nut		2065	0581 0001 60	1	Fitting	
2020	0301 2344 00	8	Washer		2070	0070 6002 06	AR	Pipe	
2025	0300 8019 00	2	Washer		2075	1619 2766 00	2	Bolt	

# 27



71017\_01

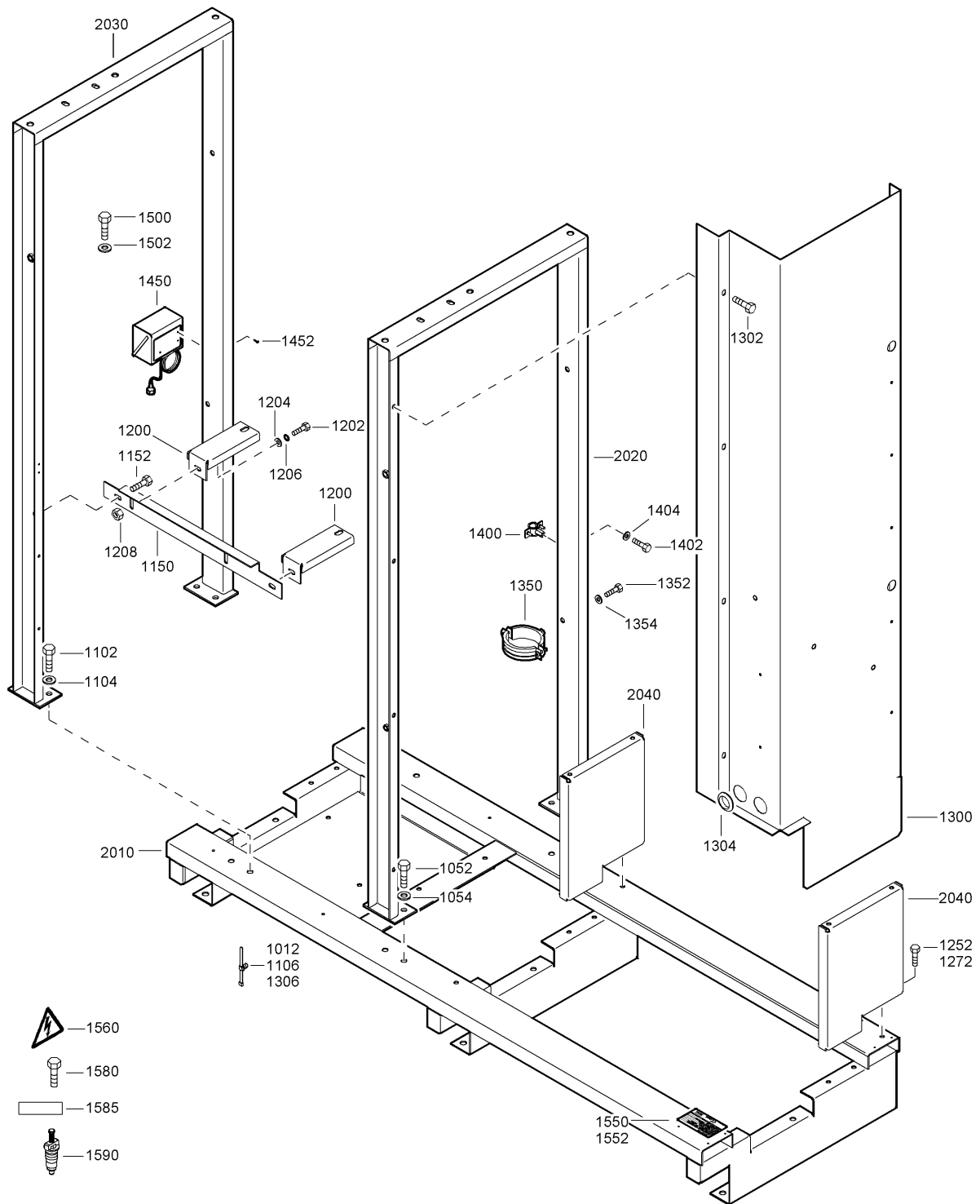


## Air dryer - Water separator drain - Water cooled

27

Ref.	Part number	Qty	Name	Remarks	Ref.	Part number	Qty	Name	Remarks
1010	0661 1000 27	1	Seal washer		2035	0581 0001 03	1	Fitting	
1020	0581 0000 73	1	Str. coupl.		2040	0661 1000 29	1	Washer	
1030	0581 0000 86	1	Pipe coupling		2045	0607 2900 08	1	Socket	
1040	0686 9130 00	1	Protecting plug		2050	0581 0001 60	1	Fitting	
1050	1079 9910 96	1	Label		2055	0070 6002 06	AR	Pipe	
			<b>Watercooled</b>		2060	0147 1333 03	2	Screw	
2010	1627 7933 00	1	Drain		2065	0266 2110 00	2	Nut	
2015	1627 7982 00	1	Support		2070	0300 8019 00	2	Washer	
2020	1627 7921 00	1	Support		2075	0301 2335 00	2	Washer	
2025	0580 2501 42	1	Fitting		2080	0661 1000 29	1	Washer	
2030	1627 7690 00	1	Tube						

# 28



73727

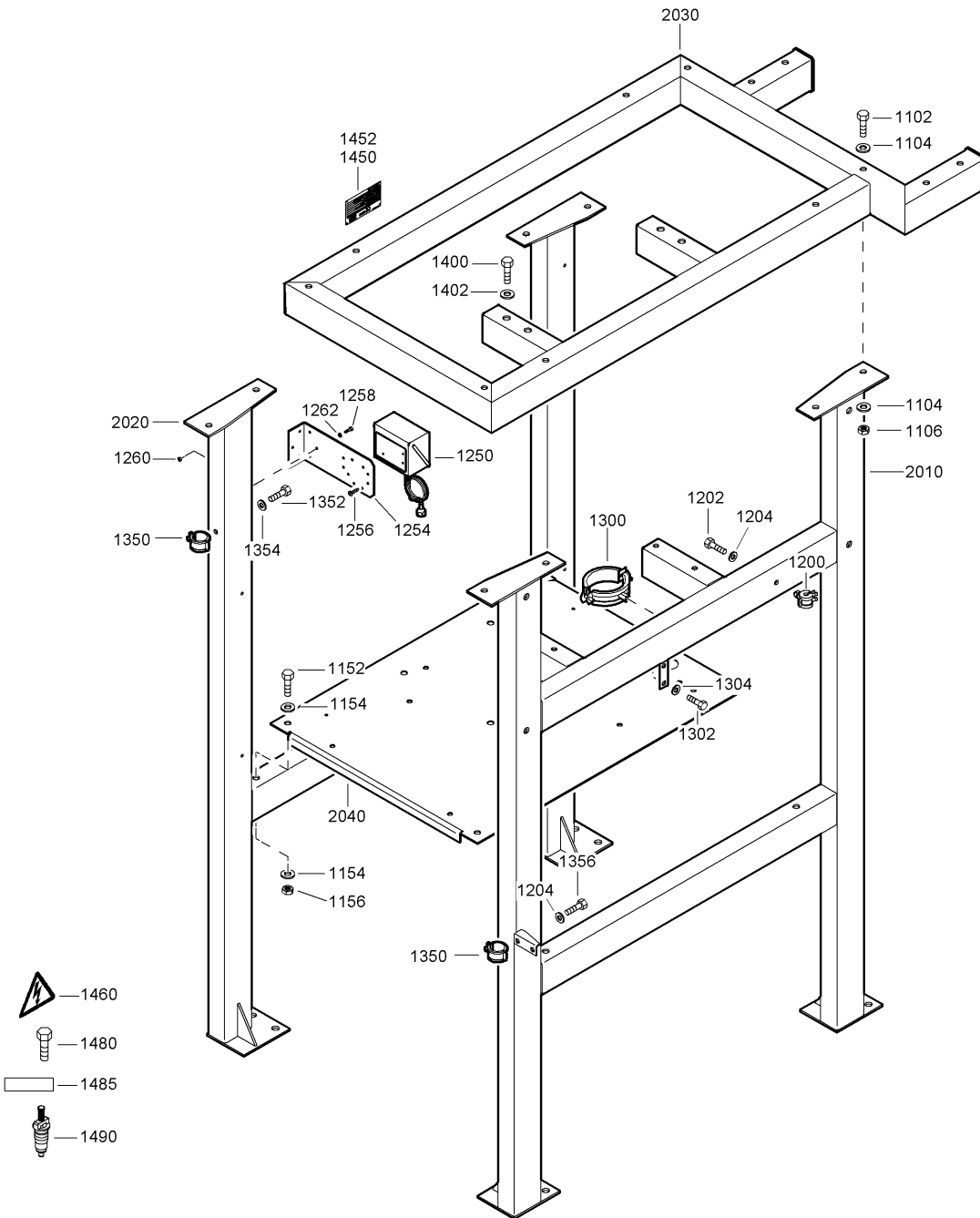
73727

## Air dryer - Supports - Air cooled

28

Ref.	Partnumber	Qty	Name	Remarks	Ref.	Partnumber	Qty	Name	Remarks
			<b>Air cooled</b>		1350	0346 1000 42	1	Pipe clamp	
			<b>ID 310-525</b>		1352	0147 1322 03	1	Bolt	
1012	0348 0102 12	9	Cable tie		1354	0301 2335 00	1	Plain washer	
1052	0147 1400 03	4	Bolt		1400	1617 3818 00	3	Clamp	
1054	0301 2358 00	4	Washer		1402	0147 1323 03	3	Hex. head screw	
1102	0147 1400 03	4	Bolt		1404	0301 2335 00	6	Plain washer	
1104	0301 2358 00	4	Washer		1450	1089 9139 62	1	Pressure switch	
1106	0348 0102 12	2	Cable tie		1452	1079 2263 01	2	Screw	
1150	1617 4261 00	1	Support		1500	0147 1362 03	4	Bolt	
1152	1619 2766 00	2	Bolt		1502	0301 2344 00	4	Washer	
1200	1617 4296 00	2	Support		1550	1617 8818 00	1	Dataplate	
1202	0147 1325 03	2	Bolt		1552	0129 3104 00	4	Rivet blind	
1204	0301 2335 00	4	Plain washer		1560	1088 1001 01	4	Warning mark	
1206	0333 3227 00	2	Lock washer		1580	1619 2766 00	2	Bolt	
1208	0266 2110 00	2	Hexagon nut		1585	1079 9930 30	1	Label	
1252	1619 2766 00	6	Bolt		1590	1617 4682 00	4	Valve core	
1272	1619 2766 00	2	Bolt				<b>1</b>	<b>Basic parts</b>	
1300	1617 4377 00	1	Baffle		2010	1617 4231 00	1	Frame	
1302	1619 2766 00	6	Bolt		2020	1617 4307 00	1	Support	
1304	1088 0801 26	2	Grommet		2030	1617 4241 00	1	Support	
1306	0348 0102 12	7	Cable tie		2040	1617 4232 00	2	Support	

# 29



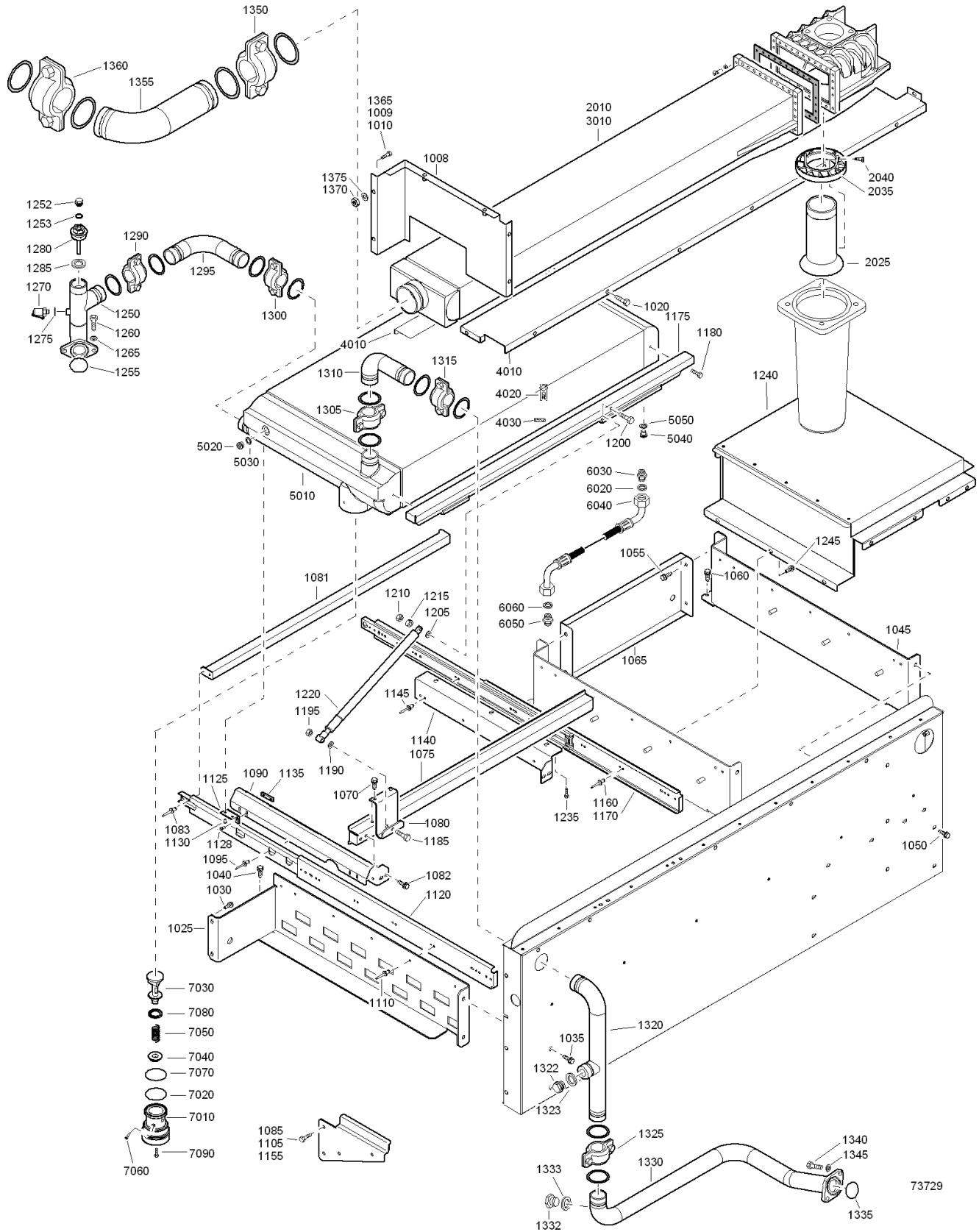
73728

## Air dryer - Supports - Water cooled

29

Ref.	Partnumber	Qty	Name	Remarks	Ref.	Partnumber	Qty	Name	Remarks
			<b>Water cooled</b>		1304	0301 2335 00	1	Plain washer	
			<b>ID 310-525</b>		1350	0346 1000 39	2	Pipe clamp	
1102	0147 1401 03	4	Bolt		1352	0147 1961 76	1	Hexagon bolt	
1104	0301 2358 00	4	Washer		1354	0301 2335 00	4	Plain washer	
1106	0266 2112 00	8	Nut		1356	0147 1322 03	1	Bolt	
1152	0147 1415 03	4	Bolt		1400	0147 1377 03	4	Hex. head screw	
1154	0301 2358 00	8	Washer		1402	0301 2344 00	4	Washer	
1156	0266 2112 00	4	Nut		1450	1617 8818 00	1	Dataplate	
1200	0346 1000 36	1	Clamp		1452	0129 3104 00	4	Rivet blind	
1202	0147 1332 03	1	Bolt		1460	1088 1001 01	3	Warning mark	
1204	0301 2335 00	2	Plain washer		1480	1619 2766 00	2	Bolt	
1250	1089 9139 62	1	Pressure switch		1485	1079 9930 30	1	Label	
1254	1617 3878 00	1	Support		1490	1617 4682 00	4	Valve core	
1256	0226 3343 17	3	Tapping screw				<b>1</b>	<b>Basic parts</b>	
1258	0147 1173 03	3	Bolt		2010	1617 4254 00	1	Support	
1260	0266 2106 00	3	Nut		2020	1617 4255 00	1	Support	
1262	0301 2315 00	3	Washer		2030	1617 4256 00	1	Support	
1300	0346 1000 42	1	Pipe clamp		2040	1617 4257 80	1	Support	
1302	0147 1322 03	1	Bolt						

# 30

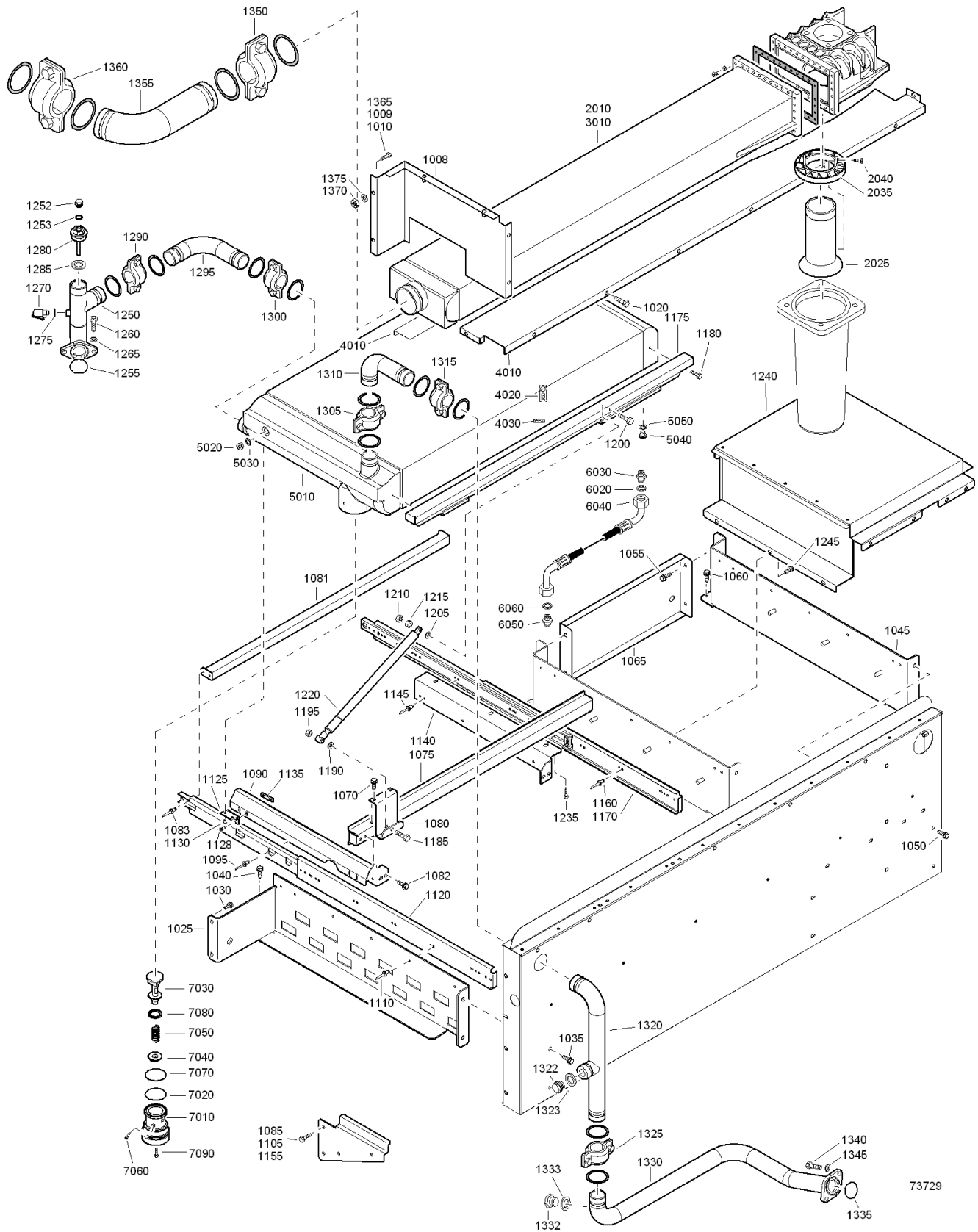


73729

## Cooling system - Cooler(s) - Aircooled

Ref.	Partnumber	Qty	Name	Remarks	Ref.	Partnumber	Qty	Name	Remarks
			<b>GA 90+</b>		1245	0147 1963 08	11	Hexagon bolt	
			<b>AS1210</b>		1250	1623 1225 00	1	Pipe	
			<b>ASME (U Stamp)</b>		1252	0686 3716 01	1	Plug	
1008	1623 1561 00	1	Baffle		1253	0661 1000 25	1	Seal washer	
1009	0147 1963 08	4	Hexagon bolt		1255	0663 2109 68	1	O-ring	
1010	0147 1322 03	6	Bolt		1260	0147 1365 03	2	Bolt	
1020	0147 1963 08	8	Hexagon bolt		1265	0301 2344 00	2	Washer	
1025	1623 3489 00	1	Support		1270	0580 8400 15	1	Connector	
1030	0147 1963 08	2	Hexagon bolt		1275	0661 1000 25	1	Seal washer	
1035	0147 1963 08	2	Hexagon bolt		1280	1623 0817 00	1	Plug hexagon	
1040	1619 5337 01	1	Bolt		1285	0661 1000 31	1	Seal washer	
1045	1623 3490 00	1	Support		1290	0634 1000 28	1	Victaulic coupling	
1050	1079 1472 05	2	Bolt		1295	1623 0563 00	1	Pipe	
1055	0147 1963 08	2	Hexagon bolt		1300	0634 1000 28	1	Victaulic coupling	
1060	1619 5337 01	1	Bolt		1305	0634 1000 28	1	Victaulic coupling	
1065	1623 0778 00	1	Support		1310	1623 0573 00	1	Pipe	
1070	0147 1963 08	2	Hexagon bolt		1315	0634 1000 28	1	Victaulic coupling	
1075	1623 0784 00	1	Support		1320	1623 0575 00	1	Pipe	
1080	1623 0359 00	1	Support		1322	0686 3716 35	1	Plug	
1081	1623 0780 00	1	Support		1323	0661 1000 29	1	Seal washer	
1082	0147 1963 08	2	Hexagon bolt		1325	0634 1000 28	1	Victaulic coupling	
1083	0129 3270 55	6	Rivet blind		1330	1623 0576 00	1	Pipe	
1085	0147 1963 08	2	Hexagon bolt		1332	0686 3716 01	1	Plug	
1090	1623 1215 00	1	Support		1333	0661 1000 25	1	Seal washer	
1095	0129 3270 55	6	Rivet blind		1335	0663 2109 68	1	O-ring	
1105	0147 1963 08	2	Hexagon bolt		1340	0147 1363 03	2	Bolt	
1110	0129 3270 55	6	Rivet blind		1345	0301 2344 00	2	Washer	
1120	1623 1117 00	1	Rail		1350	0634 1000 29	1	Victaulic coupling	
1125	1623 1958 00	2	Hinge		1355	1623 0609 00	1	Pipe	
1128	0216 1957 26	4	Hex sock. screw		1360	0634 1000 29	1	Victaulic coupling	
1130	0216 1957 26	4	Hex sock. screw			<b>1623 0553 61</b>	<b>1</b>	<b>After Cooler</b>	
1135	1623 1406 00	2	Plate		2025	1623 0506 00	• 1	Pipe	
1140	1623 0292 00	1	Plate		2035	1623 0507 00	• 1	Separator water	
1145	0129 3270 55	6	Rivet blind		2040	0147 1323 03	• 2	Hex. head screw	
1155	0147 1963 08	2	Hexagon bolt		<b>3010</b>	<b>1623 1718 80</b>	<b>• 1</b>	<b>Cooler</b>	
1160	0129 3270 55	6	Rivet blind				<b>•• 1</b>	<b>Cooler after</b>	
1170	1623 1117 00	1	Rail			1623 1717 00	<b>•• 1</b>	Gasket	
1175	1623 0786 00	1	Support			1623 1716 00	<b>•• 1</b>	Pipe bent	
1180	0147 1320 03	4	Bolt			0211 1329 03	<b>•• 36</b>	Cap screw	
1185	0147 1365 03	1	Bolt			0301 2335 00	<b>•• 36</b>	Washer	
1190	0301 2344 00	2	Washer			<b>1623 1761 80</b>	<b>1</b>	<b>Profile</b>	
1195	0291 1128 20	1	Nut		4010		<b>•• 1</b>	Profile	
1200	0147 1364 03	1	Bolt		4020	1202 6584 00	<b>•• AR</b>	Seal	
1205	0301 2344 00	1	Washer		4030	1619 5188 00	<b>•• AR</b>	Seal	
1210	0266 1111 03	1	Nut			<b>1623 0689 80</b>	<b>1</b>	<b>Oil cooler</b>	
1215	0335 7099 07	1	Ring		5010		<b>• 1</b>	Cooler oil	
1220	0384 9000 05	1	Gas spring		5020	0686 6444 03	<b>• 1</b>	Plug	
1235	0147 1320 03	3	Bolt		5030	0661 1000 27	<b>• 1</b>	Seal washer	
<b>1240</b>	<b>1623 0782 80</b>	<b>1</b>	<b>Baffle</b>		5040	0686 6442 03	<b>• 1</b>	Plug	
	1619 6449 00	• AR	Seal						

# 30



73729



## Cooling system - Cooler(s) - Aircooled

Ref.	Partnumber	Qty	Name	Remarks	Ref.	Partnumber	Qty	Name	Remarks
5050	0661 1000 25	• 1	Seal washer <b>GA 110</b> <b>GA 110+</b> <b>GA 132</b> <b>GA 132+</b> <b>GA 160</b> <b>GA 160+</b> <b>AS1210</b> <b>ASME(U Stamp)</b>		1220	0384 9000 05	1	Gas spring	
1008	1623 1560 00	1	Baffle		1235	0147 1320 03	3	Bolt	
1009	0147 1963 08	4	Hexagon bolt		1250	1623 1225 00	1	Pipe	
1010	0147 1322 03	6	Bolt		1252	0686 3716 01	1	Plug	
1020	0147 1963 08	6	Hexagon bolt		1253	0661 1000 25	1	Seal washer	
1025	1623 3489 00	1	Support		1255	0663 2109 68	1	O-ring	
1030	0147 1963 08	2	Hexagon bolt		1260	0147 1365 03	2	Bolt	
1035	0147 1963 08	2	Hexagon bolt		1265	0301 2344 00	2	Washer	
1040	1619 5337 01	1	Bolt		1270	0580 8400 15	1	Connector	
1045	1623 3490 00	1	Support		1275	0661 1000 25	1	Seal washer	
1050	1079 1472 05	2	Bolt		1280	1623 0817 00	1	Plug hexagon	
1055	0147 1963 08	2	Hexagon bolt		1285	0661 1000 31	1	Seal washer	
1060	1619 5337 01	1	Bolt		1290	0634 1000 28	1	Victaulic coupling	
1065	1623 0360 00	1	Support		1295	1623 0563 00	1	Pipe	
1070	0147 1963 08	5	Hexagon bolt		1300	0634 1000 28	1	Victaulic coupling	
1080	1623 0359 00	1	Support		1305	0634 1000 28	1	Victaulic coupling	
1081	1623 0641 00	1	Support		1310	1623 0573 00	1	Pipe	
1082	0147 1963 08	2	Hexagon bolt		1315	0634 1000 28	1	Victaulic coupling	
1083	0129 3270 55	6	Rivet blind		1320	1623 0575 00	1	Pipe	
1085	0147 1963 08	2	Hexagon bolt		1322	0686 3716 35	1	Plug	
1090	1623 1215 00	1	Support		1323	0661 1000 29	1	Seal washer	
1095	0129 3270 55	6	Rivet blind		1325	0634 1000 28	1	Victaulic coupling	
1105	0147 1963 08	2	Hexagon bolt		1330	1623 0576 00	1	Pipe	
1110	0129 3270 55	6	Rivet blind		1332	0686 3716 01	1	Plug	
1120	1623 1117 00	1	Rail		1333	0661 1000 25	1	Seal washer	
1125	1623 1958 00	2	Hinge		1335	0663 2109 68	1	O-ring	
1128	0216 1957 26	4	Hex sock. screw		1340	0147 1363 03	2	Bolt	
1130	0216 1957 26	4	Hex sock. screw		1345	0301 2344 00	2	Washer	
1135	1623 1406 00	2	Plate		1350	0634 1000 29	1	Victaulic coupling	
1140	1623 0292 00	1	Plate		1355	1623 0609 00	1	Pipe	
1145	0129 3270 55	6	Rivet blind		1360	0634 1000 29	1	Victaulic coupling	
1155	0147 1963 08	2	Hexagon bolt		1365	0147 1322 03	10	Bolt	
1160	0129 3270 55	6	Rivet blind		1370	0266 2110 00	10	Hexagon nut	
1170	1623 1117 00	1	Rail		1375	0300 0274 17	10	Washer	
1175	1623 0361 00	1	Support			<b>1623 0476 61</b>	<b>1</b>	<b>Cooler after</b>	
1180	0147 1320 03	4	Bolt		2025	1623 0506 00	• 1	Pipe	
1185	0147 1366 03	1	Bolt		2035	1623 0507 00	• 1	Separator water	
1190	0301 2344 00	2	Washer		2040	0147 1323 03	• 2	Hex. head screw	
1195	0291 1128 20	1	Nut		<b>3010</b>	<b>1623 1715 80</b>	• <b>1</b>	<b>Cooler after</b>	
1200	0147 1364 03	1	Bolt			1623 1715 00	•• 1	Cooler after	
1205	0301 2344 00	1	Washer			1623 1714 00	•• 1	Gasket	
1210	0266 1111 03	1	Nut			1623 1713 00	•• 1	Pipe bent	
1215	0335 7099 07	1	Ring			0211 1329 03	•• 30	Cap screw	
						0301 2335 00	•• 30	Washer	
						<b>1623 1760 80</b>	<b>1</b>	<b>Profile</b>	
					4010		• 1	Profile	
					4020	1202 6584 00	• AR	Seal	
					4030	1619 5188 00	• AR	Seal	
						<b>1623 0276 80</b>	<b>1</b>	<b>Cooler oil</b>	
					5010		• 1	Cooler oil	
					5020	0686 6444 03	• 1	Plug	

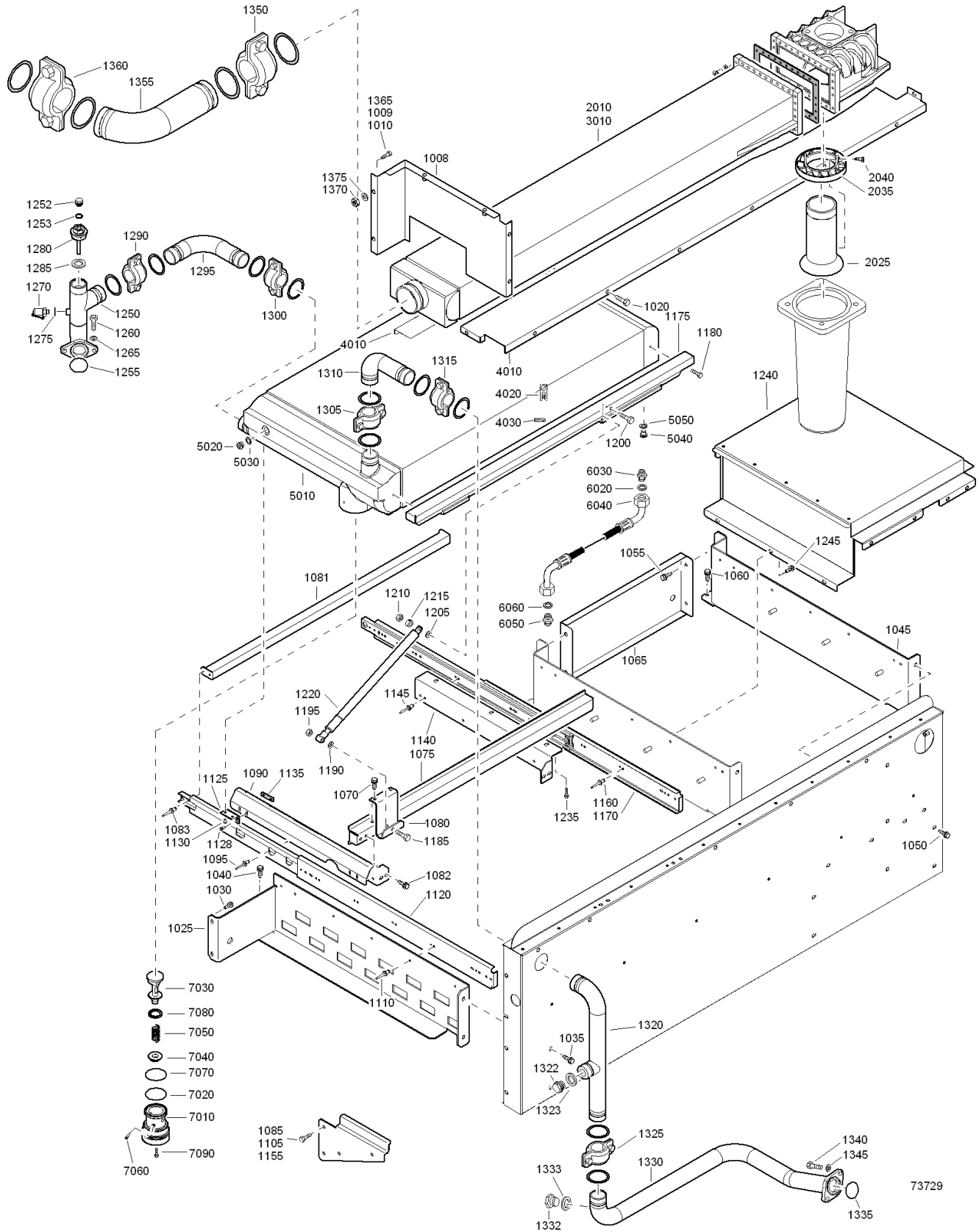


## Cooling system - Cooler(s) - Aircooled

30

Ref.	Partnumber	Qty	Name	Remarks	Ref.	Partnumber	Qty	Name	Remarks
5030	0661 1000 27	• 1	Seal washer		1215	0335 7099 07	1	Ring	
5040	0686 6442 03	• 1	Plug		1220	0384 9000 05	1	Gas spring	
5050	0661 1000 25	• 1	Seal washer		1235	0147 1320 03	3	Bolt	
			<b>GA 90+</b>		<b>1240</b>	<b>1623 0782 80</b>	<b>1</b>	<b>Baffle</b>	
			<b>CE</b>			1619 6449 00	• 5	Seal	
			<b>CHINA</b>		1245	0147 1963 08	11	Hexagon bolt	
			<b>CRN</b>		1250	1623 1225 00	1	Pipe	
			<b>MOL</b>		1252	0686 3716 01	1	Plug	
			<b>MOM</b>		1253	0661 1000 25	1	Seal washer	
1008	1623 1561 00	1	Baffle		1255	0663 2109 68	1	O-ring	
1009	0147 1963 08	4	Hexagon bolt		1260	0147 1365 03	2	Bolt	
1010	0147 1322 03	6	Bolt		1265	0301 2344 00	2	Washer	
1020	0147 1963 08	8	Hexagon bolt		1270	0580 8400 15	1	Connector	
1025	1623 3489 00	1	Support		1275	0661 1000 25	1	Seal washer	
1030	0147 1963 08	2	Hexagon bolt		1280	1623 0817 00	1	Plug hexagon	
1035	0147 1963 08	2	Hexagon bolt		1285	0661 1000 31	1	Seal washer	
1040	1619 5337 01	1	Bolt		1290	0634 1000 28	1	Victaulic	
1045	1623 3490 00	1	Support		1295	1623 0563 00	1	Pipe	
1050	1079 1472 05	2	Bolt		1300	0634 1000 28	1	Victaulic	
1055	0147 1963 08	2	Hexagon bolt		1305	0634 1000 28	1	Victaulic	
1060	1619 5337 01	1	Bolt		1310	1623 0573 00	1	Pipe	
1065	1623 0778 00	1	Support		1315	0634 1000 28	1	Victaulic	
1070	0147 1963 08	2	Hexagon bolt		1320	1623 0575 00	1	Pipe	
1075	1623 0784 00	1	Support		1322	0686 3716 35	1	Plug	
1080	1623 0359 00	1	Support		1323	0661 1000 29	1	Seal washer	
1081	0147 1963 08	2	Hexagon bolt		1325	0634 1000 28	1	Victaulic	
1082	1623 0780 00	1	Support		1330	1623 0576 00	1	Pipe	
1083	0129 3270 55	6	Rivet blind		1332	0686 3716 01	1	Plug	
1085	0147 1963 08	2	Hexagon bolt		1333	0661 1000 25	1	Seal washer	
1090	1623 1215 00	1	Support		1335	0663 2109 68	1	O-ring	
1095	0129 3270 55	6	Rivet blind		1340	0147 1363 03	2	Bolt	
1105	0147 1963 08	2	Hexagon bolt		1345	0301 2344 00	2	Washer	
1110	0129 3270 55	6	Rivet blind		1350	0634 1000 29	1	Victaulic coupl	
1120	1623 1117 00	1	Rail		1355	1623 0609 00	1	Pipe	
1125	1623 1958 00	2	Hinge		1360	0634 1000 29	1	Victaulic coupl	
1128	0216 1957 26	4	Hex sock. screw			<b>1623 0553 60</b>	<b>1</b>	<b>After cooler</b>	
1130	0216 1957 26	4	Hex sock. screw		2010	1623 0553 08	• 1	Cooler after	
1135	1623 1406 00	2	Plate		2025	1623 0506 00	• 1	Pipe	
1140	1623 0292 00	1	Plate		2035	1623 0507 00	• 1	Separator water	
1145	0129 3270 55	6	Rivet blind		2040	0147 1246 03	• 2	Bolt	
1155	0147 1963 08	2	Hexagon bolt			<b>1623 0776 80</b>	<b>1</b>	<b>Profile</b>	
1160	0129 3270 55	6	Rivet blind		4010		• 1	Profile	
1170	1623 1117 00	1	Rail		4020	1619 5188 00	• AR	Seal	
1175	1623 0786 00	1	Support		4030	1202 6584 00	• AR	Seal	
1180	0147 1320 03	4	Bolt			<b>1623 0689 80</b>	<b>1</b>	<b>Oil cooler</b>	
1185	0147 1365 03	1	Bolt		5010		• 1	Cooler oil	
1190	0301 2344 00	2	Washer		5020	0686 6444 03	• 1	Plug	
1195	0291 1128 20	1	Nut		5030	0661 1000 27	• 1	Seal washer	
1200	0147 1364 03	1	Bolt		5040	0686 6442 03	• 1	Plug	
1205	0301 2344 00	1	Washer		5050	0661 1000 25	• 1	Seal washer	
1210	0266 1111 03	1	Nut					<b>GA 110</b>	

# 30



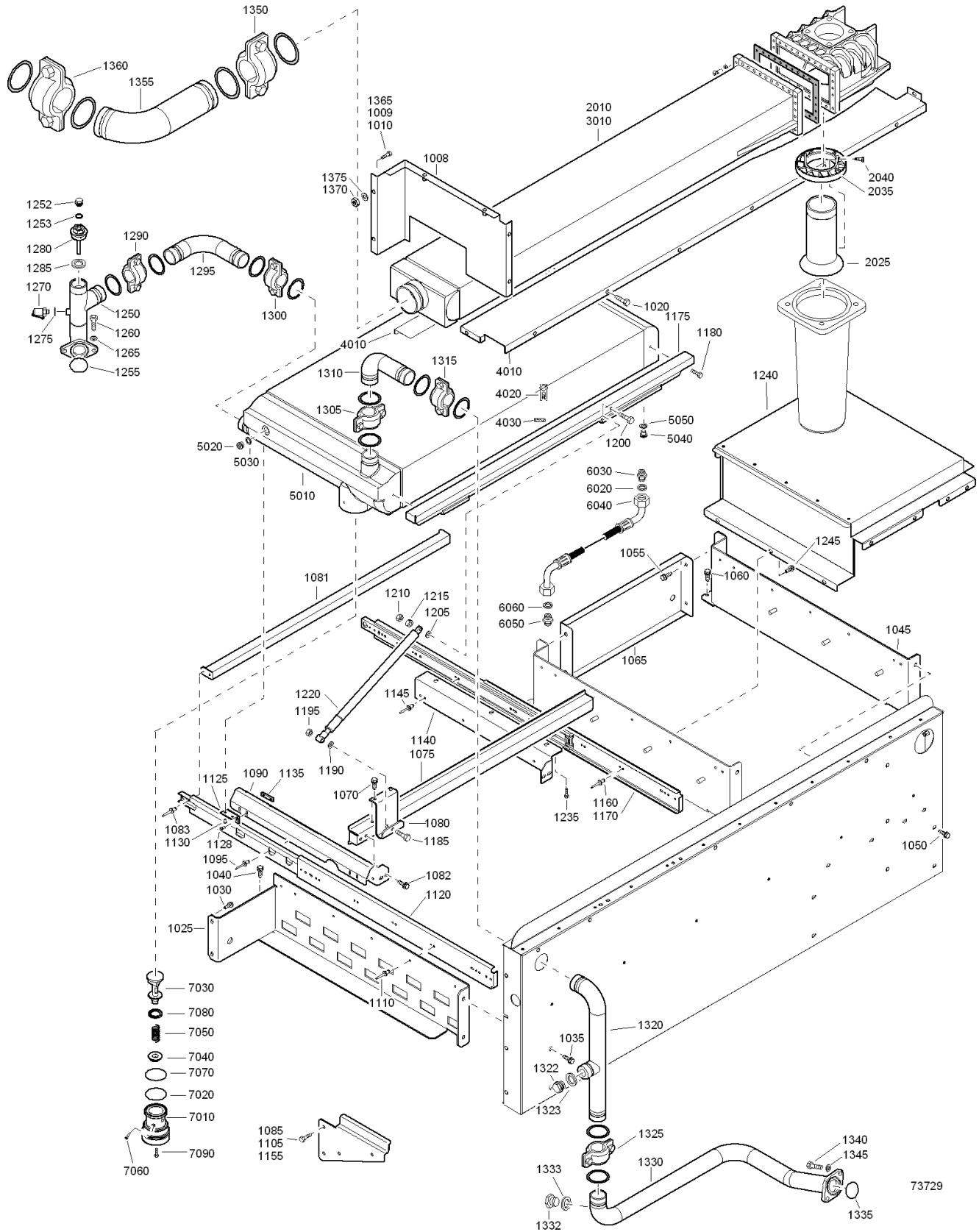
73729

## Cooling system - Cooler(s) - Aircooled

30

Ref.	Partnumber	Qty	Name	Remarks	Ref.	Partnumber	Qty	Name	Remarks
			<b>GA 110+</b>		1220	0384 9000 05	1	Gas spring	
			<b>GA 132</b>		1235	0147 1320 03	3	Bolt	
			<b>GA 132+</b>		1250	1623 1225 00	1	Pipe	
			<b>GA 160</b>		1252	0686 3716 01	1	Plug	
			<b>GA 160+</b>		1253	0661 1000 25	1	Seal washer	
			<b>CE</b>		1255	0663 2109 68	1	O-ring	
			<b>CHINA</b>		1260	0147 1365 03	2	Bolt	
			<b>CRN</b>		1265	0301 2344 00	2	Washer	
			<b>MOL</b>		1270	0580 8400 15	1	Connector	
			<b>MOM</b>		1275	0661 1000 25	1	Seal washer	
1008	1623 1560 00	1	Baffle		1280	1623 0817 00	1	Plug hexagon	
1009	0147 1963 08	4	Hexagon bolt		1285	0661 1000 31	1	Seal washer	
1010	0147 1322 03	6	Bolt		1290	0634 1000 28	1	Victaulic coupling	
1020	0147 1963 08	6	Hexagon bolt		1295	1623 0563 00	1	Pipe	
1025	1623 3489 00	1	Support		1300	0634 1000 28	1	Victaulic coupling	
1030	0147 1963 08	2	Hexagon bolt		1305	0634 1000 28	1	Victaulic coupling	
1035	0147 1963 08	2	Hexagon bolt		1310	1623 0573 00	1	Pipe	
1040	1619 5337 01	1	Bolt		1315	0634 1000 28	1	Victaulic coupling	
1045	1623 3490 00	1	Support		1320	1623 0575 00	1	Pipe	
1050	1079 1472 05	2	Bolt		1322	0686 3716 35	1	Plug	
1055	0147 1963 08	2	Hexagon bolt		1323	0661 1000 29	1	Seal washer	
1060	1619 5337 01	1	Bolt		1325	0634 1000 28	1	Victaulic coupling	
1065	1623 0360 00	1	Support		1330	1623 0576 00	1	Pipe	
1070	0147 1963 08	5	Hexagon bolt		1332	0686 3716 01	1	Plug	
1080	1623 0359 00	1	Support		1333	0661 1000 25	1	Seal washer	
1081	1623 0641 00	1	Support		1335	0663 2109 68	1	O-ring	
1082	0147 1963 08	2	Hexagon bolt		1340	0147 1363 03	2	Bolt	
1083	0129 3270 55	6	Rivet blind		1345	0301 2344 00	2	Washer	
1085	0147 1963 08	2	Hexagon bolt		1350	0634 1000 29	1	Victaulic coupling	
1090	1623 1215 00	1	Support		1355	1623 0609 00	1	Pipe	
1095	0129 3270 55	6	Rivet blind		1360	0634 1000 29	1	Victaulic coupling	
1105	0147 1963 08	2	Hexagon bolt		1365	0147 1322 03	10	Bolt	
1110	0129 3270 55	6	Rivet blind		1370	0266 2110 00	10	Hexagon nut	
1120	1623 1117 00	1	Rail		1375	0300 0274 17	10	Washer	
1125	1623 1958 00	2	Hinge			<b>1623 0476 60</b>	<b>1</b>	<b>Cooler after</b>	
1128	0216 1957 26	4	Hex sock. screw		2015	1623 0476 08	• 1	Cooler after	
1130	0216 1957 26	4	Hex sock. screw		2025	1623 0506 00	• 1	Pipe	
1135	1623 1406 00	2	Plate		2035	1623 0507 00	• 1	Separator water	
1140	1623 0292 00	1	Plate		2040	0147 1246 03	• 2	Bolt	
1145	0129 3270 55	6	Rivet blind			<b>1623 0181 80</b>	<b>1</b>	<b>Profile</b>	
1155	0147 1963 08	2	Hexagon bolt		4010		• 1	Profile	
1160	0129 3270 55	6	Rivet blind		4020	1619 5188 00	• AR	Seal	
1170	1623 1117 00	1	Rail		4030	1202 6584 00	• AR	Seal	
1175	1623 0361 00	1	Support			<b>1623 0276 80</b>	<b>1</b>	<b>Cooler oil</b>	
1180	0147 1320 03	4	Bolt		5010		• 1	Cooler oil	
1185	0147 1366 03	1	Bolt		5020	0686 6444 03	• 1	Plug	
1190	0301 2344 00	2	Washer		5030	0661 1000 27	• 1	Seal washer	
1195	0291 1128 20	1	Nut		5040	0686 6442 03	• 1	Plug	
1200	0147 1364 03	1	Bolt		5050	0661 1000 25	• 1	Seal washer	
1205	0301 2344 00	1	Washer					<b>Valve</b>	
1210	0266 1111 03	1	Nut					<b>GA90+</b>	
1215	0335 7099 07	1	Ring					<b>GA110+</b>	

# 30



73729

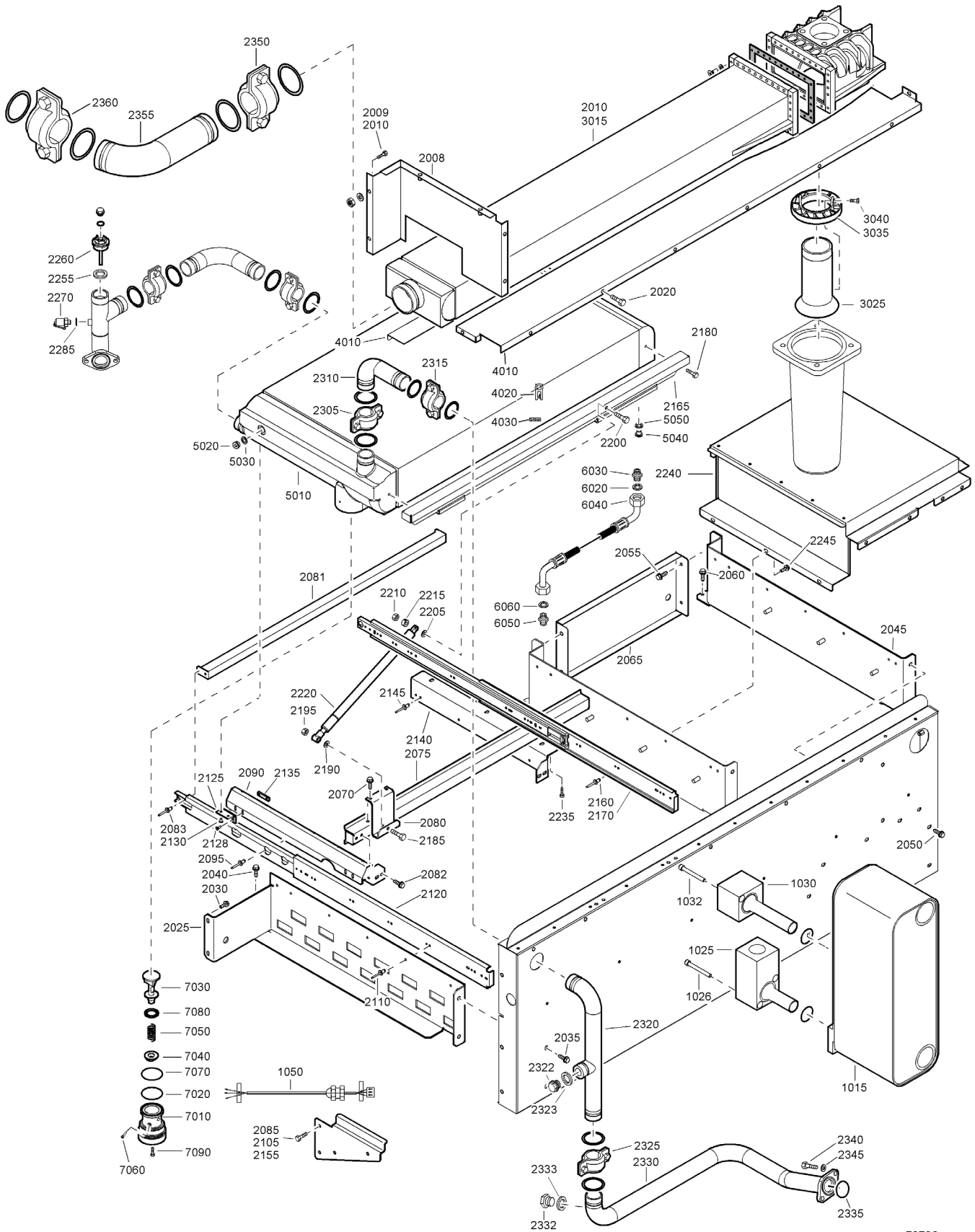
73729

## Cooling system - Cooler(s) - Aircooled

30

Ref.	Partnumber	Qty	Name	Remarks	Ref.	Partnumber	Qty	Name	Remarks
			<b>GA132+</b>					<b>GA110</b>	
			<b>GA160</b>					<b>GA110+</b>	
			<b>GA160+</b>					<b>GA132</b>	
			<b>5.2 bar(e)</b>					<b>GA132+</b>	
			<b>5.5 bar(e)</b>					<b>10 bar(e)</b>	
			<b>6.9 bar(e)</b>					<b>10.4 bar(e)</b>	
			<b>7.5 bar(e)</b>					<b>13.8 bar</b>	
			<b>8.6 bar(e)</b>					<b>14 bar(e)</b>	
			<b>8.5 bar(e)</b>						
6020	0661 1000 25	1	Seal washer		6020	0661 1000 25	1	Seal washer	
6030	1619 5205 00	1	Nipple		6030	1619 5205 00	1	Nipple	
6040	0575 0791 65	1	Hose assembly		6040	0575 0791 65	1	Hose assembly	
6050	1619 5205 00	1	Nipple		6050	1619 5205 00	1	Nipple	
6060	0661 1000 25	1	Seal washer		6060	0661 1000 25	1	Seal washer	
	<b>1623 2419 81</b>	<b>1</b>	<b>Valve</b>			<b>1623 2418 81</b>	<b>1</b>	<b>Valve</b>	
7010	1623 2419 01	• 1	Housing valve		7010	1623 2418 01	• 1	Housing valve	
7020	0663 2107 92	• 1	O-ring		7020	0663 2107 92	• 1	O-ring	
7030	1623 2409 01	• 1	Piston		7030	1623 2409 01	• 1	Piston	
7040	1623 2447 00	• 1	Nut		7040	1623 2447 00	• 1	Nut	
7050	1623 0828 00	• 1	Spring		7050	1623 0828 00	• 1	Spring	
7060	0211 1244 03	• 3	Cap screw		7060	0211 1244 03	• 3	Cap screw	
7070	0663 2108 00	• 1	O-ring		7070	0663 2108 00	• 1	O-ring	
7080	0665 0701 45	• 1	Ring seal		7080	0665 0701 45	• 1	Ring seal	
7090	0192 1204 00	• 1	Set screw		7090	0192 1204 00	• 1	Set screw	
			<b>GA90+</b>						

# 31



73730

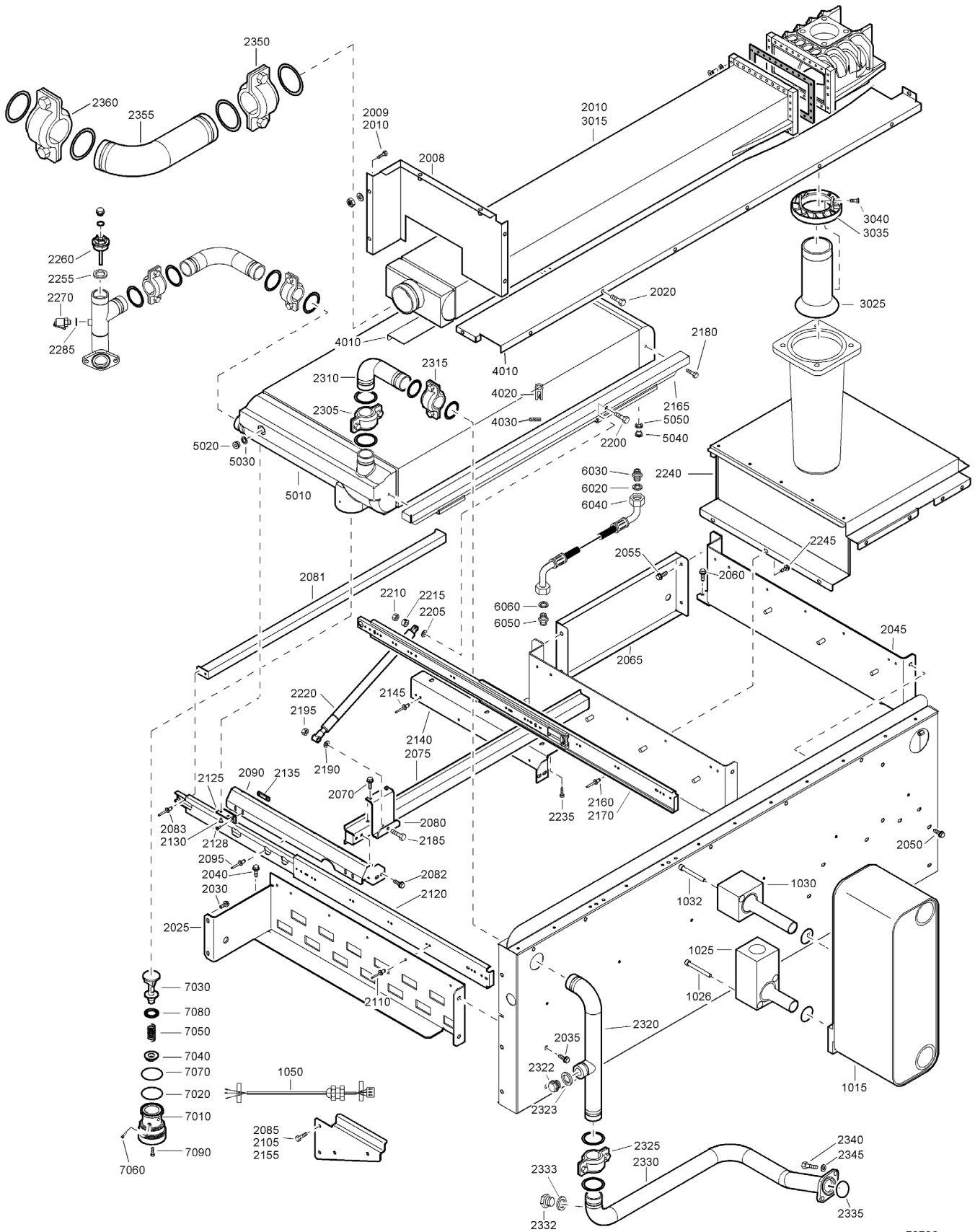


## Cooling system - Cooler(s) - Aircooled - With Energy REcovery

31

Ref.	Partnumber	Qty	Name	Remarks	Ref.	Partnumber	Qty	Name	Remarks
			<b>GA 90+</b>		2235	0147 1320 03	3	Bolt	
			<b>AS1210</b>		2240	<b>1623 0782 80</b>	<b>1</b>	<b>Baffle</b>	
			<b>ASME (U Stamp)</b>			1619 6449 00	• 5	Seal	
1015	1623 1404 00	1	Heat exchanger		2245	0147 1963 08	11	Hexagon bolt	
1025	1623 1346 00	1	Block		2255	0661 1000 25	1	Seal washer	
1030	1623 1347 00	1	Block		2260	1623 0817 00	1	Plug hexagon	
1050	1623 2791 00	1	Wire harness		2270	0580 8400 15	1	Connector	
			<b>Cooler</b>		2285	0661 1000 31	1	Seal washer	
2008	1623 1561 00	1	Baffle		2305	0634 1000 28	1	Victaulic	
2009	0147 1963 08	4	Hexagon bolt		2310	1623 0573 00	1	Pipe	
2010	0147 1322 03	6	Bolt		2315	0634 1000 28	1	Victaulic	
2020	0147 1963 08	8	Hexagon bolt		2320	1623 0575 00	1	Pipe	
2025	1623 3489 00	1	Support		2322	0686 3716 35	1	Plug	
2030	0147 1963 08	2	Hexagon bolt		2323	0661 1000 29	1	Seal washer	
2035	0147 1963 08	2	Hexagon bolt		2325	0634 1000 28	1	Victaulic	
2040	1619 5337 01	1	Bolt		2330	1623 0576 00	1	Pipe	
2045	1623 3490 00	1	Support		2332	0686 3716 01	1	Plug	
2050	1079 1472 05	2	Bolt		2333	0661 1000 25	1	Seal washer	
2055	0147 1963 08	2	Hexagon bolt		2335	0663 2109 68	1	O-ring	
2060	1619 5337 01	1	Bolt		2340	0147 1363 03	2	Bolt	
2065	1623 0778 00	1	Support		2345	0301 2344 00	2	Washer	
2070	0147 1963 08	2	Hexagon bolt		2350	0634 1000 29	1	Victaulic coupl	
2075	1623 0784 00	1	Support		2355	1623 0609 00	1	Pipe	
2080	1623 0359 00	1	Support		2360	0634 1000 29	1	Victaulic coupl	
2081	1623 0780 00	1	Support		<b>3015</b>	<b>1623 1718 80</b>	<b>• 1</b>	<b>After cooler</b>	
2082	0147 1963 08	2	Hexagon bolt			1623 1718 00	•• 1	Cooler after	
2083	0129 3270 55	4	Rivet blind			1623 1717 00	•• 1	Gasket	
2085	0147 1963 08	2	Hexagon bolt			1623 1716 00	•• 1	Pipe bent	
2090	1623 1215 00	1	Support			0211 1329 03	•• 36	Cap screw	
2095	0129 3270 55	6	Rivet blind			0301 2335 00	•• 36	Washer	
2105	0147 1963 08	2	Hexagon bolt		3025	1623 0506 00	• 1	Pipe	
2110	0129 3270 55	6	Rivet blind		3035	1623 0507 00	• 1	Separator water	
2120	1623 1117 00	1	Rail		3040	0147 1323 03	• 2	Hex. head screw	
2125	1623 1958 00	2	Hinge			<b>1623 1761 80</b>	<b>1</b>	<b>Profile</b>	
2128	0216 1957 26	4	Hex sock. screw		4010		• 1	Profile	
2130	0216 1957 26	4	Hex sock. screw		4020	1202 6584 00	• AR	Seal	
2135	1623 1406 00	2	Plate		4030	1619 5188 00	• AR	Seal	
2140	1623 0292 00	1	Plate			<b>1623 0689 80</b>	<b>1</b>	<b>Oil cooler</b>	
2145	0129 3270 55	5	Rivet blind		5010	1623 0689 00	• 1	Oil cooler	
2155	0147 1963 08	2	Hexagon bolt		5020	0686 6444 03	• 1	Plug	
2160	0129 3270 55	7	Rivet blind		5030	0661 1000 27	• 1	Seal washer	
2170	1623 1117 00	1	Rail		5040	0686 6442 03	• 1	Plug	
2180	0147 1320 03	4	Bolt		5050	0661 1000 25	• 1	Seal washer	
2185	0147 1365 03	1	Bolt					<b>GA 110</b>	
2190	0301 2344 00	2	Washer					<b>GA 110+</b>	
2195	0291 1128 20	1	Nut					<b>GA 132</b>	
2200	0147 1364 03	1	Bolt					<b>GA 132+</b>	
2205	0301 2344 00	1	Washer					<b>AS1210</b>	
2210	0266 1111 03	1	Nut					<b>ASME (U Stamp)</b>	
2215	0335 7099 07	1	Ring		1015	1623 1404 00	1	Heat exchanger	
2220	0384 9000 05	1	Gas spring		1025	1623 1346 00	1	Block	

# 31



73730

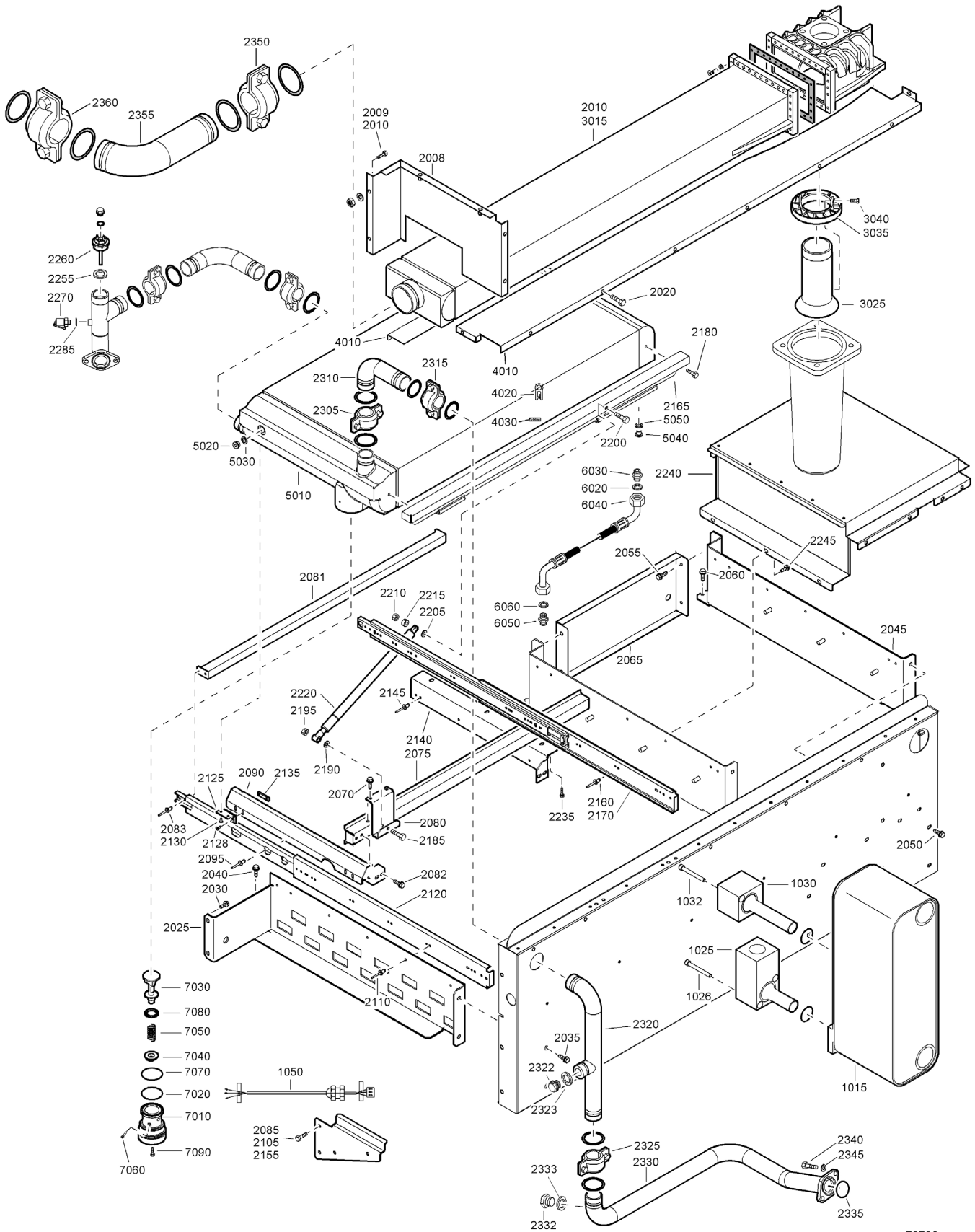
73730

## Cooling system - Cooler(s) - Aircooled - With Energy REcovery

31

Ref.	Partnumber	Qty	Name	Remarks	Ref.	Partnumber	Qty	Name	Remarks
1030	1623 1347 00	1	Block		2310	1623 0573 00	1	Pipe	
1050	1623 2791 00	1	Wire harness		2315	0634 1000 28	1	Victaulic coupling	
			<b>Cooler</b>		2320	1623 6528 00	1	Pipe	
2008	1623 1560 00	1	Baffle		2322	0686 3716 35	1	Plug	
2009	0147 1963 08	4	Hexagon bolt		2323	0661 1000 29	1	Seal washer	
2010	0147 1322 03	6	Bolt		2325	0634 1000 28	1	Victaulic coupling	
2020	0147 1963 08	6	Hexagon bolt		2330	1623 0576 00	1	Pipe	
2025	1623 3489 00	1	Support		2332	0686 3716 01	1	Plug	
2030	0147 1963 08	2	Hexagon bolt		2333	0661 1000 25	1	Seal washer	
2035	0147 1963 08	2	Hexagon bolt		2335	0663 2109 68	1	O-ring	
2040	1619 5337 01	1	Bolt		2340	0147 1363 03	2	Bolt	
2045	1623 3490 00	1	Support		2345	0301 2344 00	2	Washer	
2050	1079 1472 05	2	Bolt		2350	0634 1000 29	1	Victaulic coupling	
2055	0147 1963 08	2	Hexagon bolt		2355	1623 0609 00	1	Pipe	
2060	1619 5337 01	1	Bolt		2360	0634 1000 29	1	Victaulic coupling	
2065	1623 0360 00	1	Support		2365	0147 1322 03	10	Bolt	
2070	0147 1963 08	5	Hexagon bolt		2370	0266 2110 00	10	Hexagon nut	
2080	1623 0359 00	1	Support		2375	0300 0274 17	10	Washer	
2081	1623 0641 00	1	Support			<b>1623 0476 61</b>	<b>1</b>	<b>Cooler after</b>	
2082	0147 1963 08	2	Hexagon bolt		<b>3015</b>	<b>1623 1715 80</b>	<b>• 1</b>	<b>Cooler after</b>	
2085	0129 3270 55	6	Rivet blind			1623 1715 00	•• 1	Cooler after	
2090	1623 1215 00	1	Support			1623 1714 00	•• 1	Gasket	
2095	0129 3270 55	6	Rivet blind			1623 1713 00	•• 1	Pipe bent	
2105	0147 1963 08	2	Hexagon bolt			0211 1329 03	•• 30	Cap screw	
2110	0129 3270 55	6	Rivet blind			0301 2335 00	•• 30	Washer	
2120	1623 1117 00	1	Rail		3025	1623 0506 00	• 1	Pipe	
2125	1623 1958 00	2	Hinge		3035	1623 0507 00	• 1	Separator water	
2128	0216 1957 26	4	Hex sock. screw		3040	0147 1323 03	• 2	Hex. head screw	
2130	0216 1957 26	4	Hex sock. screw			<b>1623 1760 80</b>	<b>1</b>	<b>Profile</b>	
2135	1623 1406 00	2	Plate		4010		• 1	Profile	
2140	1623 0292 00	1	Plate		4020	1202 6584 00	• AR	Seal	
2145	0129 3270 55	6	Rivet blind		4030	1619 5188 00	• AR	Seal	
2155	0147 1963 08	2	Hexagon bolt			<b>1623 0276 80</b>	<b>1</b>	<b>Cooler oil</b>	
2160	0129 3270 55	6	Rivet blind		5010		• 1	Cooler oil	
2165	1623 0361 00	1	Support		5020	0686 6444 03	• 1	Plug	
2170	1623 1117 00	1	Rail		5030	0661 1000 27	• 1	Seal washer	
2180	0147 1320 03	4	Bolt		5040	0686 6442 03	• 1	Plug	
2185	0147 1366 03	1	Bolt		5050	0661 1000 25	• 1	Seal washer	
2190	0301 2344 00	2	Washer					<b>GA 160</b>	
2195	0291 1128 20	1	Nut					<b>GA 160+</b>	
2200	0147 1364 03	1	Bolt					<b>AS1210</b>	
2205	0301 2344 00	1	Washer					<b>ASME (U Stamp)</b>	
2210	0266 1111 03	1	Nut		1015	1623 2755 00	1	Heat exchanger	
2215	0335 7099 07	1	Ring		1025	1623 2779 00	1	Block	
2220	0384 9000 05	1	Gas spring		1030	1623 2780 00	1	Block	
2332	0686 3716 01	1	Plug		1050	1623 2791 00	1	Wire harness	
2235	0147 1320 03	3	Bolt					<b>Cooler</b>	
2255	0661 1000 25	1	Seal washer		2008	1623 1560 00	1	Baffle	
2260	1623 0817 00	1	Plug hexagon		2009	0147 1963 08	4	Hexagon bolt	
2270	0580 8400 15	1	Connector		2010	0147 1322 03	6	Bolt	
2285	0661 1000 31	1	Seal washer		2020	0147 1963 08	6	Hexagon bolt	
2305	0634 1000 28	1	Victaulic coupling		2025	1623 3489 00	1	Support	

# 31



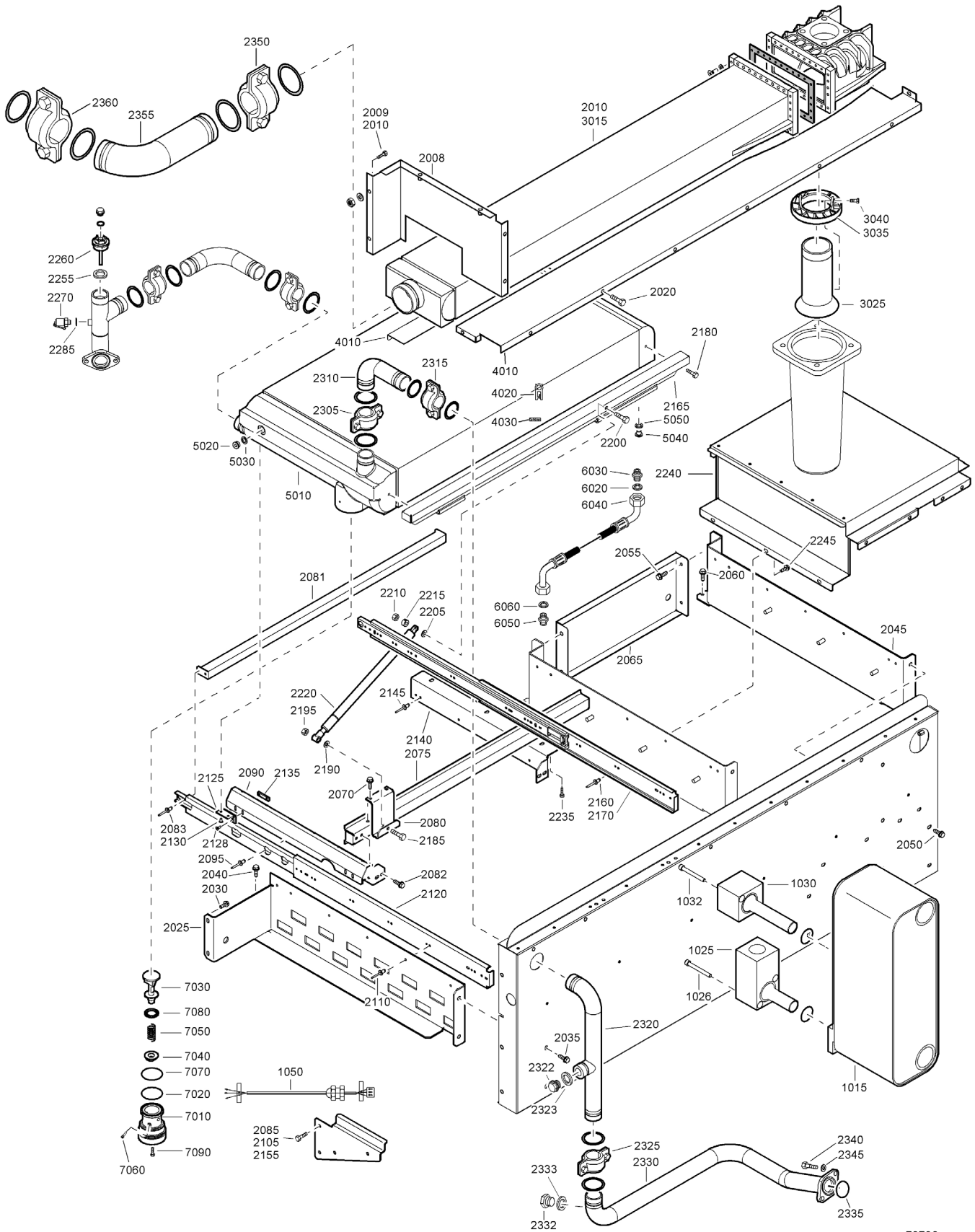
73730

## Cooling system - Cooler(s) - Aircooled - With Energy REcovery

31

Ref.	Partnumber	Qty	Name	Remarks	Ref.	Partnumber	Qty	Name	Remarks
2030	0147 1963 08	2	Hexagon bolt		2330	1623 0576 00	1	Pipe	
2035	0147 1963 08	2	Hexagon bolt		2332	0686 3716 01	1	Plug	
2040	1619 5337 01	1	Bolt		2333	0661 1000 25	1	Seal washer	
2045	1623 3490 00	1	Support		2335	0663 2109 68	1	O-ring	
2050	1079 1472 05	2	Bolt		2340	0147 1363 03	2	Bolt	
2055	0147 1963 08	2	Hexagon bolt		2345	0301 2344 00	2	Washer	
2060	1619 5337 01	1	Bolt		2350	0634 1000 29	1	Victaulic coupling	
2065	1623 0360 00	1	Support		2355	1623 0609 00	1	Pipe	
2070	0147 1963 08	5	Hexagon bolt		2360	0634 1000 29	1	Victaulic coupling	
2080	1623 0359 00	1	Support		2365	0147 1322 03	10	Bolt	
2081	1623 0641 00	1	Support		2370	0266 2110 00	10	Hexagon nut	
2082	0147 1963 08	2	Hexagon bolt		2375	0300 0274 17	10	Washer	
2083	0129 3270 55	6	Rivet blind			<b>1623 0476 61</b>	<b>1</b>	<b>Cooler after</b>	
2285	0147 1963 08	2	Hexagon bolt		<b>3015</b>	<b>1623 1715 80</b>	<b>• 1</b>	<b>Cooler after</b>	
2290	1623 1215 00	1	Support			1623 1715 00	•• 1	Cooler after	
2095	0129 3270 55	6	Rivet blind			1623 1714 00	•• 1	Gasket	
2105	0147 1963 08	2	Hexagon bolt			1623 1713 00	•• 1	Pipe bent	
2110	0129 3270 55	6	Rivet blind			0211 1329 03	•• 30	Cap screw	
2120	1623 1117 00	1	Rail			0301 2335 00	•• 30	Washer	
2125	1623 1958 00	2	Hinge		3025	1623 0506 00	• 1	Pipe	
2128	0216 1957 26	4	Hex sock. screw		3035	1623 0507 00	• 1	Separator water	
2130	0216 1957 26	4	Hex sock. screw		3040	0147 1323 03	• 2	Hex. head screw	
2135	1623 1406 00	2	Plate			<b>1623 1760 80</b>	<b>1</b>	<b>Profile</b>	
2140	1623 0292 00	1	Plate		4010		• 1	Profile	
2145	0129 3270 55	6	Rivet blind		4020	1202 6584 00	• AR	Seal	
2155	0147 1963 08	2	Hexagon bolt		4030	1619 5188 00	• AR	Seal	
2160	0129 3270 55	6	Rivet blind			<b>1623 0276 80</b>	<b>1</b>	<b>Cooler oil</b>	
2165	1623 0361 00	1	Support		5010		• 1	Cooler oil	
2170	1623 1117 00	1	Rail		5020	0686 6444 03	• 1	Plug	
2180	0147 1320 03	4	Bolt		5030	0661 1000 27	• 1	Seal washer	
2185	0147 1366 03	1	Bolt		5040	0686 6442 03	• 1	Plug	
2190	0301 2344 00	2	Washer		5050	0661 1000 25	• 1	Seal washer	
2195	0291 1128 20	1	Nut					<b>GA 90+</b>	
2200	0147 1364 03	1	Bolt					<b>CE</b>	
2205	0301 2344 00	1	Washer					<b>CHINA</b>	
2210	0266 1111 03	1	Nut					<b>CRN</b>	
2215	0335 7099 07	1	Ring					<b>MOL</b>	
2220	0384 9000 05	1	Gas spring					<b>MOM</b>	
2332	0686 3716 01	1	Plug		1015	1623 1404 00	1	Heat exchanger	
2235	0147 1320 03	3	Bolt		1025	1623 1346 00	1	Block	
2255	0661 1000 25	1	Seal washer		1030	1623 1347 00	1	Block	
2260	1623 0817 00	1	Plug hexagon		1050	1623 2791 00	1	Wire harness	
2270	0580 8400 15	1	Connector					<b>Cooler</b>	
2285	0661 1000 31	1	Seal washer		2008	1623 1561 00	1	Baffle	
2305	0634 1000 28	1	Victaulic coupling		2009	0147 1963 08	4	Hexagon bolt	
2310	1623 0573 00	1	Pipe		2010	0147 1322 03	6	Bolt	
2315	0634 1000 28	1	Victaulic coupling		2020	0147 1963 08	8	Hexagon bolt	
2320	1623 0575 00	1	Pipe		2025	1623 3489 00	1	Support	
2322	0686 3716 35	1	Plug		2030	0147 1963 08	2	Hexagon bolt	
2323	0661 1000 29	1	Seal washer		2035	0147 1963 08	2	Hexagon bolt	
2325	0634 1000 28	1	Victaulic coupling		2040	1619 5337 01	1	Bolt	

# 31



73730

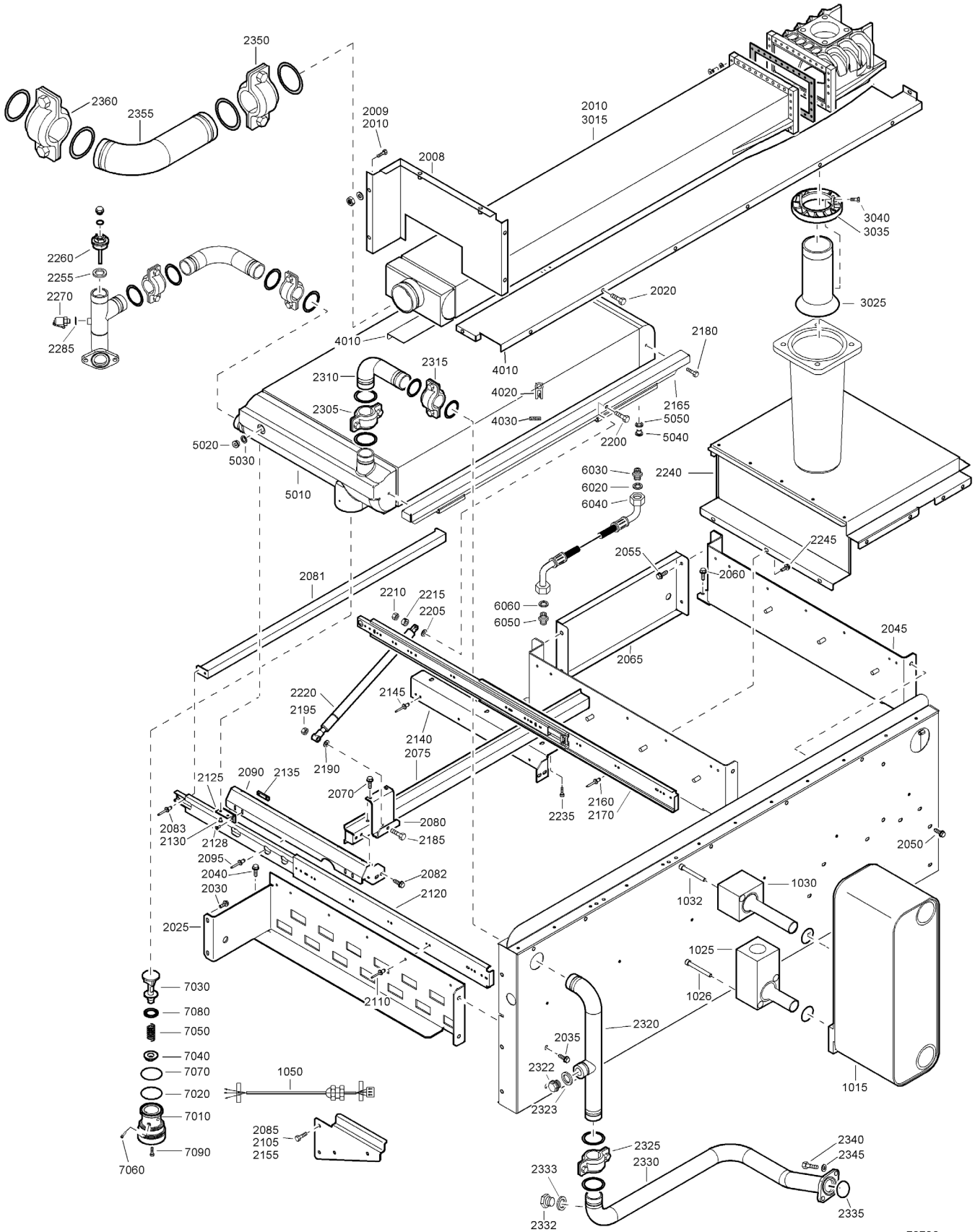
73730

## Cooling system - Cooler(s) - Aircooled - With Energy REcovery

31

Ref.	Part number	Qty	Name	Remarks	Ref.	Part number	Qty	Name	Remarks
2045	1623 3490 00	1	Support		2323	0661 1000 29	1	Seal washer	
2050	1079 1472 05	2	Bolt		2325	0634 1000 28	1	Victaulic	
2055	0147 1963 08	2	Hexagon bolt		2330	1623 0576 00	1	Pipe	
2060	1619 5337 01	1	Bolt		2332	0686 3716 01	1	Plug	
2065	1623 0778 00	1	Support		2333	0661 1000 25	1	Seal washer	
2070	0147 1963 08	2	Hexagon bolt		2335	0663 2109 68	1	O-ring	
2075	1623 0784 00	1	Support		2340	0147 1363 03	2	Bolt	
2080	1623 0359 00	1	Support		2345	0301 2344 00	2	Washer	
2081	0147 1963 08	2	Hexagon bolt		2350	0634 1000 29	1	Victaulic coupl	
2082	1623 0780 00	1	Support		2355	1623 0609 00	1	Pipe	
2083	0147 1244 03	4	Bolt		2360	0634 1000 29	1	Victaulic coupl	
2084	0266 2108 00	4	Nut			<b>1623 0553 60</b>	<b>1</b>	<b>After cooler</b>	
2085	0147 1963 08	2	Hexagon bolt		3010	1623 0553 08	• 1	After cooler	
2090	1623 1215 00	1	Support		3025	1623 0506 00	• 1	Pipe	
2095	0129 3270 55	6	Rivet blind		3035	1623 0507 00	• 1	Separator water	
2105	0147 1963 08	2	Hexagon bolt		3040	0147 1246 03	• 2	Bolt	
2110	0129 3270 55	6	Rivet blind			<b>1623 0776 80</b>	<b>1</b>	<b>Profile</b>	
2120	1623 1117 00	1	Rail		4010		• 1	Profile	
2125	1623 1958 00	2	Hinge		4020	1619 5188 00	• AR	Seal	
2128	0216 1957 26	4	Hex sock. screw		4030	1202 6584 00	• AR	Seal	
2130	0216 1957 26	4	Hex sock. screw			<b>1623 0689 80</b>	<b>1</b>	<b>Cooler oil</b>	
2135	1623 1406 00	2	Plate		5010		• 1	Cooler oil	
2140	1623 0292 00	1	Plate		5020	0686 6444 03	• 1	Plug	
2145	0129 3270 55	6	Rivet blind		5030	0661 1000 27	• 1	Seal washer	
2155	0147 1963 08	2	Hexagon bolt		5040	0686 6442 03	• 1	Plug	
2160	0129 3270 55	6	Rivet blind		5050	0661 1000 25	• 1	Seal washer	
2170	1623 1117 00	1	Rail					<b>GA 110</b>	
2180	0147 1320 03	4	Bolt					<b>GA 110+</b>	
2185	0147 1365 03	1	Bolt					<b>GA 132</b>	
2190	0301 2344 00	2	Washer					<b>GA 132+</b>	
2195	0291 1128 20	1	Nut					<b>CE</b>	
2200	0147 1364 03	1	Bolt					<b>CHINA</b>	
2205	0301 2344 00	1	Washer					<b>CRN</b>	
2210	0266 1111 03	1	Nut					<b>MOL</b>	
2215	0335 7099 07	1	Ring					<b>MOM</b>	
2220	0384 9000 05	1	Gas spring		1015	1623 1404 00	1	Heat exchanger	
2235	0147 1320 03	3	Bolt		1025	1623 1346 00	1	Block	
2240	1623 0782 80	1	Baffle		1030	1623 1347 00	1	Block	
2245	0147 1963 08	11	Hexagon bolt		1050	1623 2791 00	1	Wire harness	
2260	0686 3716 01	1	Plug					<b>Cooler</b>	
2265	0661 1000 25	1	Seal washer		2008	1623 1560 00	1	Baffle	
2270	0580 8400 15	1	Connector		2009	0147 1963 08	4	Hexagon bolt	
2275	0661 1000 25	1	Seal washer		2010	0147 1322 03	6	Bolt	
2280	1623 0817 00	1	Plug hexagon		2020	0147 1963 08	6	Hexagon bolt	
2285	0661 1000 31	1	Seal washer		2025	1623 3489 00	1	Support	
2305	0634 1000 28	1	Victaulic		2030	0147 1963 08	2	Hexagon bolt	
2310	1623 0573 00	1	Pipe		2035	0147 1963 08	2	Hexagon bolt	
2315	0634 1000 28	1	Victaulic		2040	1619 5337 01	1	Bolt	
2320	1623 0575 00	1	Pipe		2045	1623 3490 00	1	Support	
2322	0686 3716 35	1	Plug		2050	1079 1472 05	2	Bolt	

# 31



73730

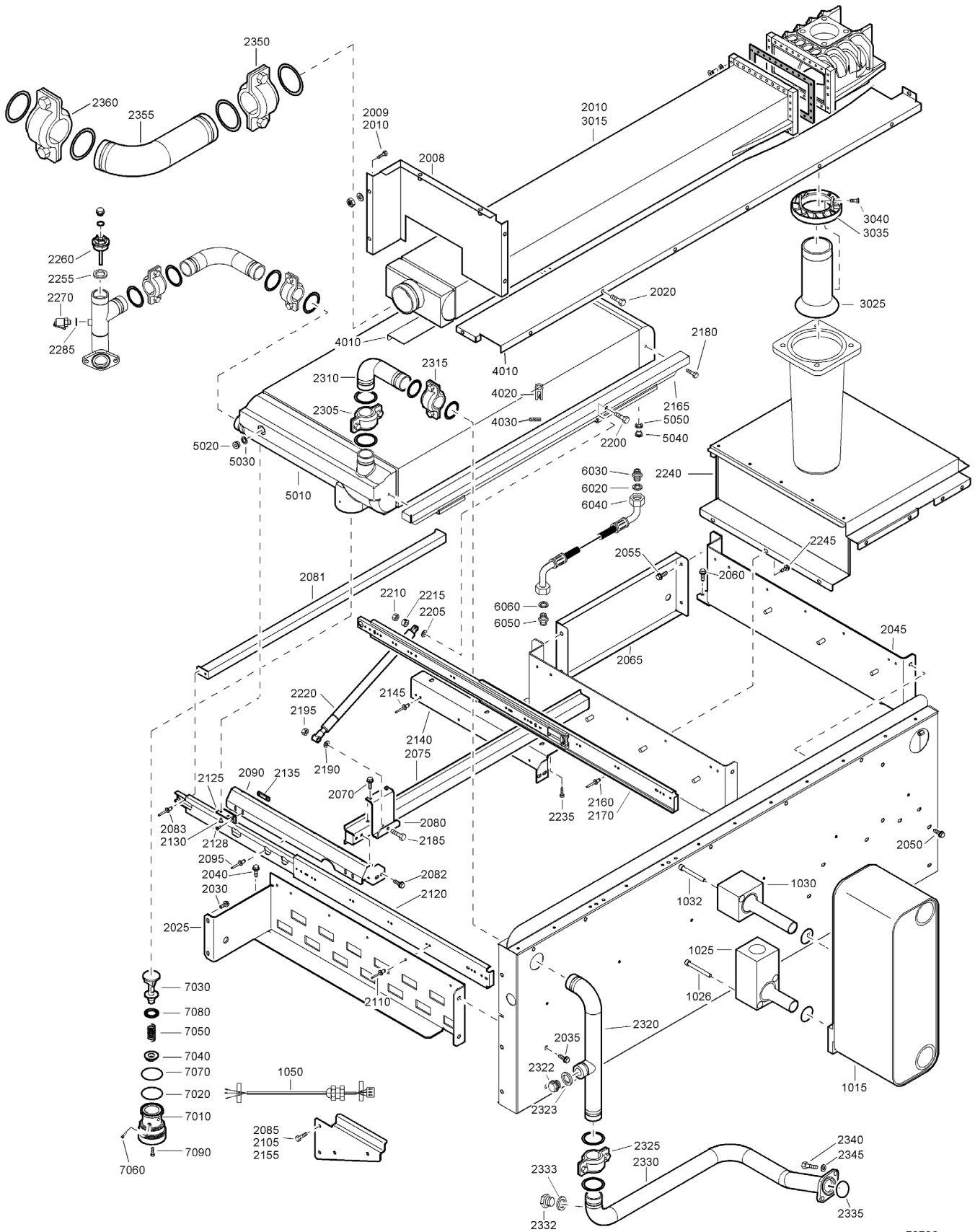


## Cooling system - Cooler(s) - Aircooled - With Energy REcovery

31

Ref.	Partnumber	Qty	Name	Remarks	Ref.	Partnumber	Qty	Name	Remarks
2055	0147 1963 08	2	Hexagon bolt		2355	1623 0609 00	1	Pipe	
2060	1619 5337 01	1	Bolt		2360	0634 1000 29	1	Victaulic coupling	
2065	1623 0360 00	1	Support		2365	0147 1322 03	10	Bolt	
2070	0147 1963 08	5	Hexagon bolt		2370	0266 2110 00	10	Hexagon nut	
2080	1623 0359 00	1	Support		2375	0300 0274 17	10	Washer	
2082	0147 1963 08	2	Hexagon bolt			<b>1623 0476 60</b>	<b>1</b>	<b>Cooler after</b>	
2081	1623 0641 00	1	Support		3015	1623 0476 08	• 1	Cooler after	
2085	0147 1963 08	2	Hexagon bolt		3025	1623 0506 00	• 1	Pipe	
2090	1623 1215 00	1	Support		3035	1623 0507 00	• 1	Separator water	
2095	0129 3270 55	6	Rivet blind		3040	0147 1246 03	• 2	Bolt	
2105	0147 1963 08	2	Hexagon bolt			<b>1623 0181 80</b>	<b>1</b>	<b>Profile</b>	
2110	0129 3270 55	6	Rivet blind		4010		• 1	Profile	
2120	1623 1117 00	1	Rail		4020	1619 5188 00	• AR	Seal	
2125	1623 1958 00	2	Hinge		4030	1202 6584 00	• AR	Seal	
2128	0216 1957 26	4	Hex sock. screw			<b>1623 0276 80</b>	<b>1</b>	<b>Cooler oil</b>	
2130	0216 1957 26	4	Hex sock. screw		5010		• 1	Cooler oil	
2135	1623 1406 00	2	Plate		5020	0686 6444 03	• 1	Plug	
2140	1623 0292 00	1	Plate		5030	0661 1000 27	• 1	Seal washer	
2145	0129 3270 55	6	Rivet blind		5040	0686 6442 03	• 1	Plug	
2155	0147 1963 08	2	Hexagon bolt		5050	0661 1000 25	• 1	Seal washer	
2160	0129 3270 55	6	Rivet blind					<b>GA 160</b>	
2165	1623 0361 00	1	Support					<b>GA 160+</b>	
2170	1623 1117 00	1	Rail					<b>CE</b>	
2180	0147 1320 03	4	Bolt					<b>CHINA</b>	
2185	0147 1366 03	1	Bolt					<b>CRN</b>	
2190	0301 2344 00	2	Washer					<b>MOL</b>	
2195	0291 1128 20	1	Nut					<b>MOM</b>	
2200	0147 1364 03	1	Bolt		1015	1623 2755 00	1	Heat exchanger	
2205	0301 2344 00	1	Washer		1025	1623 2779 00	1	Block	
2210	0266 1111 03	1	Nut		1030	1623 2780 00	1	Block	
2215	0335 7099 07	1	Ring		1050	1623 2791 00	1	Wire harness	
2220	0384 9000 05	1	Gas spring					<b>Cooler</b>	
2332	0686 3716 01	1	Plug		2008	1623 1560 00	1	Baffle	
2235	0147 1320 03	3	Bolt		2009	0147 1963 08	4	Hexagon bolt	
2270	0580 8400 15	1	Connector		2010	0147 1322 03	6	Bolt	
2255	0661 1000 25	1	Seal washer		2020	0147 1963 08	6	Hexagon bolt	
2260	1623 0817 00	1	Plug hexagon		2025	1623 3489 00	1	Support	
2285	0661 1000 31	1	Seal washer		2030	0147 1963 08	2	Hexagon bolt	
2305	0634 1000 28	1	Victaulic coupling		2035	0147 1963 08	2	Hexagon bolt	
2310	1623 0573 00	1	Pipe		2040	1619 5337 01	1	Bolt	
2315	0634 1000 28	1	Victaulic coupling		2045	1623 3490 00	1	Support	
2320	1623 6528 00	1	Pipe		2050	1079 1472 05	2	Bolt	
2322	0686 3716 35	1	Plug		2055	0147 1963 08	2	Hexagon bolt	
2323	0661 1000 29	1	Seal washer		2060	1619 5337 01	1	Bolt	
2325	0634 1000 28	1	Victaulic coupling		2065	1623 0360 00	1	Support	
2330	1623 0576 00	1	Pipe		2070	0147 1963 08	5	Hexagon bolt	
2332	0686 3716 01	1	Plug		2080	1623 0359 00	1	Support	
2333	0661 1000 25	1	Seal washer		2081	1623 0641 00	1	Support	
2335	0663 2109 68	1	O-ring		2082	0147 1963 08	2	Hexagon bolt	
2340	0147 1363 03	2	Bolt		2085	0147 1963 08	2	Hexagon bolt	
2345	0301 2344 00	2	Washer		2090	1623 1215 00	1	Support	
2350	0634 1000 29	1	Victaulic coupling		2095	0129 3270 55	6	Rivet blind	

# 31



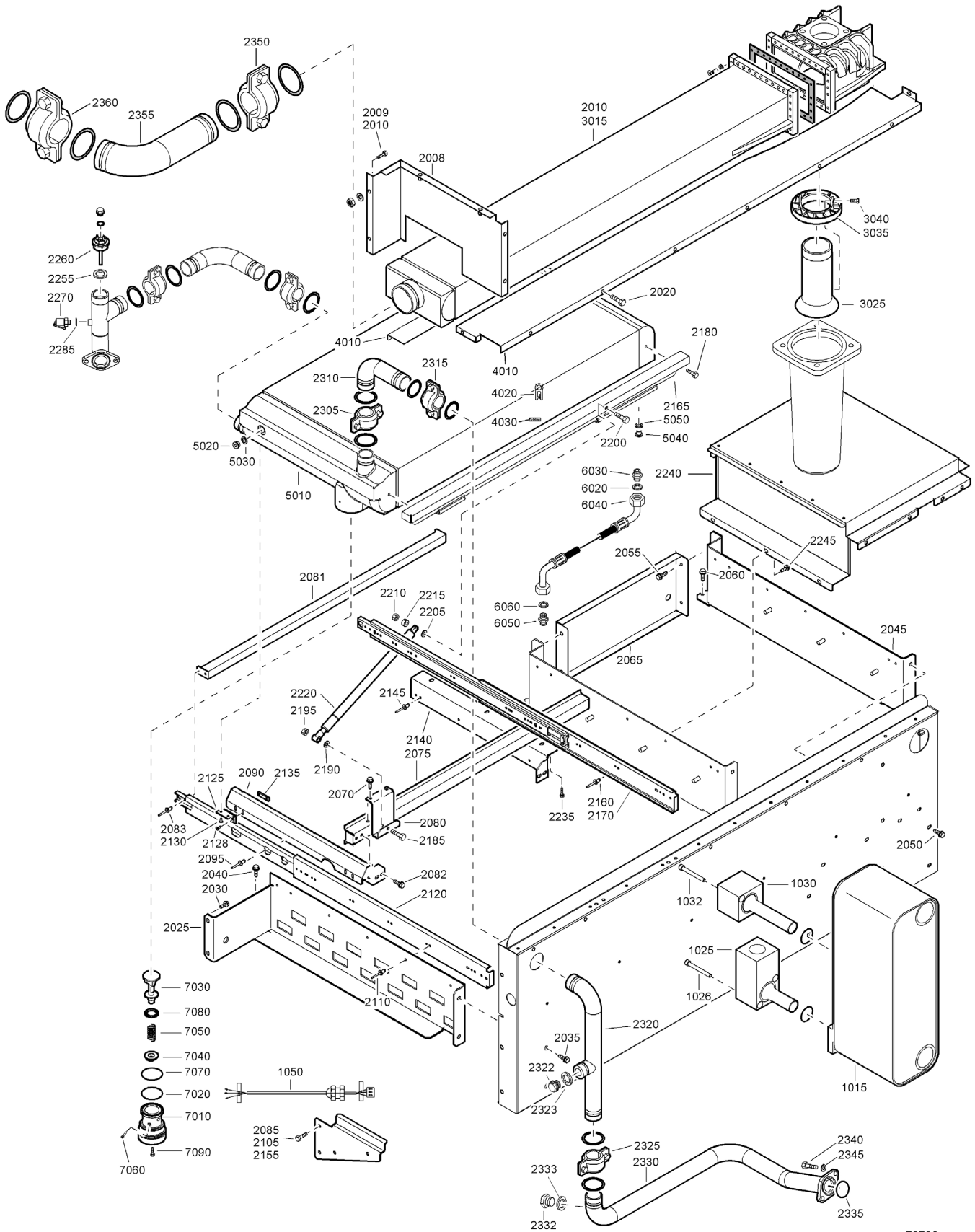
73730

## Cooling system - Cooler(s) - Aircooled - With Energy REcovery

31

Ref.	Partnumber	Qty	Name	Remarks	Ref.	Partnumber	Qty	Name	Remarks
2105	0147 1963 08	2	Hexagon bolt		3040	0147 1246 03	• 2	Bolt	
2110	0129 3270 55	6	Rivet blind			<b>1623 0181 80</b>	<b>1</b>	<b>Profile</b>	
2120	1623 1117 00	1	Rail		4010		• 1	Profile	
2125	1623 1958 00	2	Hinge		4020	1619 5188 00	• AR	Seal	
2128	0216 1957 26	4	Hex sock. screw		4030	1202 6584 00	• AR	Seal	
2130	0216 1957 26	4	Hex sock. screw			<b>1623 0276 80</b>	<b>1</b>	<b>Cooler oil</b>	
2135	1623 1406 00	2	Plate		5010		• 1	Cooler oil	
2140	1623 0292 00	1	Plate		5020	0686 6444 03	• 1	Plug	
2145	0129 3270 55	6	Rivet blind		5030	0661 1000 27	• 1	Seal washer	
2155	0147 1963 08	2	Hexagon bolt		5040	0686 6442 03	• 1	Plug	
2160	0129 3270 55	6	Rivet blind		5050	0661 1000 25	• 1	Seal washer	
2170	1623 1117 00	1	Rail					<b>Valve</b>	
2165	1623 0361 00	1	Support					<b>GA90+</b>	
2180	0147 1320 03	4	Bolt					<b>GA110+</b>	
2185	0147 1366 03	1	Bolt					<b>GA132+</b>	
2190	0301 2344 00	2	Washer					<b>GA160</b>	
2195	0291 1128 20	1	Nut					<b>GA160+</b>	
2200	0147 1364 03	1	Bolt					<b>5.2 bar(e)</b>	
2205	0301 2344 00	1	Washer					<b>5.5 bar(e)</b>	
2210	0266 1111 03	1	Nut					<b>6.9 bar(e)</b>	
2215	0335 7099 07	1	Ring					<b>7.5 bar(e)</b>	
2220	0384 9000 05	1	Gas spring					<b>8.6 bar(e)</b>	
2332	0686 3716 01	1	Plug					<b>8.5 bar(e)</b>	
2235	0147 1320 03	3	Bolt		6020	0661 1000 25	1	Seal washer	
2255	0661 1000 25	1	Seal washer		6030	1619 5205 00	1	Nipple	
2260	1623 0817 00	1	Plug hexagon		6040	0575 0791 65	1	Hose assembly	
2270	0580 8400 15	1	Connector		6050	1619 5205 00	1	Nipple	
2285	0661 1000 31	1	Seal washer		6060	0661 1000 25	1	Seal washer	
2305	0634 1000 28	1	Victaulic coupling			<b>1623 2419 81</b>	<b>1</b>	<b>Valve</b>	
2310	1623 0573 00	1	Pipe		7010	1623 2419 01	• 1	Housing valve	
2315	0634 1000 28	1	Victaulic coupling		7020	0663 2107 92	• 1	O-ring	
2320	1623 0575 00	1	Pipe		7030	1623 2409 01	• 1	Piston	
2322	0686 3716 35	1	Plug		7040	1623 2447 00	• 1	Nut	
2323	0661 1000 29	1	Seal washer		7050	1623 0828 00	• 1	Spring	
2325	0634 1000 28	1	Victaulic coupling		7060	0211 1244 03	• 3	Cap screw	
2330	1623 0576 00	1	Pipe		7070	0663 2108 00	• 1	O-ring	
2332	0686 3716 01	1	Plug		7080	0665 0701 45	• 1	Ring seal	
2333	0661 1000 25	1	Seal washer		7090	0192 1204 00	• 1	Set screw	
2335	0663 2109 68	1	O-ring					<b>GA90+</b>	
2340	0147 1363 03	2	Bolt					<b>GA110</b>	
2345	0301 2344 00	2	Washer					<b>GA110+</b>	
2350	0634 1000 29	1	Victaulic coupling					<b>GA132</b>	
2355	1623 0609 00	1	Pipe					<b>GA132+</b>	
2360	0634 1000 29	1	Victaulic coupling					<b>10 bar(e)</b>	
2365	0147 1322 03	10	Bolt					<b>10.4 bar(e)</b>	
2370	0266 2110 00	10	Hexagon nut					<b>13.8 bar</b>	
2375	0300 0274 17	10	Washer					<b>14 bar(e)</b>	
	<b>1623 0476 60</b>	<b>1</b>	<b>Cooler after</b>		6020	0661 1000 25	1	Seal washer	
3015	1623 0476 08	• 1	Cooler after		6030	1619 5205 00	1	Nipple	
3025	1623 0506 00	• 1	Pipe		6040	0575 0791 65	1	Hose assembly	
3035	1623 0507 00	• 1	Separator water		6050	1619 5205 00	1	Nipple	
					6060	0661 1000 25	1	Seal washer	

# 31

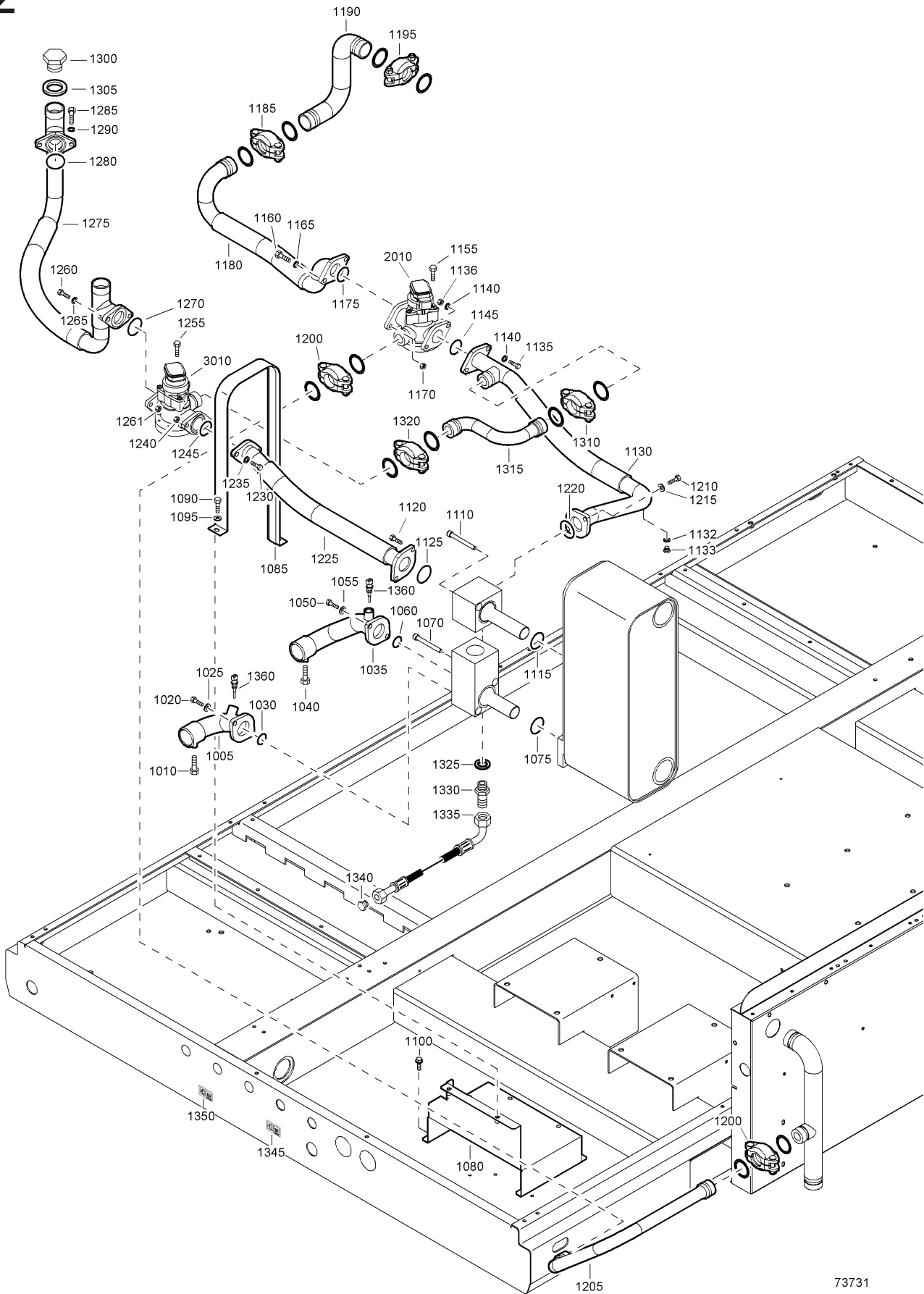


73730

**Cooling system - Cooler(s) - Aircooled - With Energy REcovery****31**

<b>Ref.</b>	<b>Partnumber</b>	<b>Qty</b>	<b>Name</b>	<b>Remarks</b>	<b>Ref.</b>	<b>Partnumber</b>	<b>Qty</b>	<b>Name</b>	<b>Remarks</b>
	<b>1623 2418 81</b>	<b>1</b>	<b>Valve</b>		7050	1623 0828 00 •	1	Spring	
7010	1623 2418 01 •	1	Housing valve		7060	0211 1244 03 •	3	Cap screw	
7020	0663 2107 92 •	1	O-ring		7070	0663 2108 00 •	1	O-ring	
7030	1623 2409 01 •	1	Piston		7080	0665 0701 45 •	1	Ring seal	
7040	1623 2447 00 •	1	Nut		7090	0192 1204 00 •	1	Set screw	

# 32



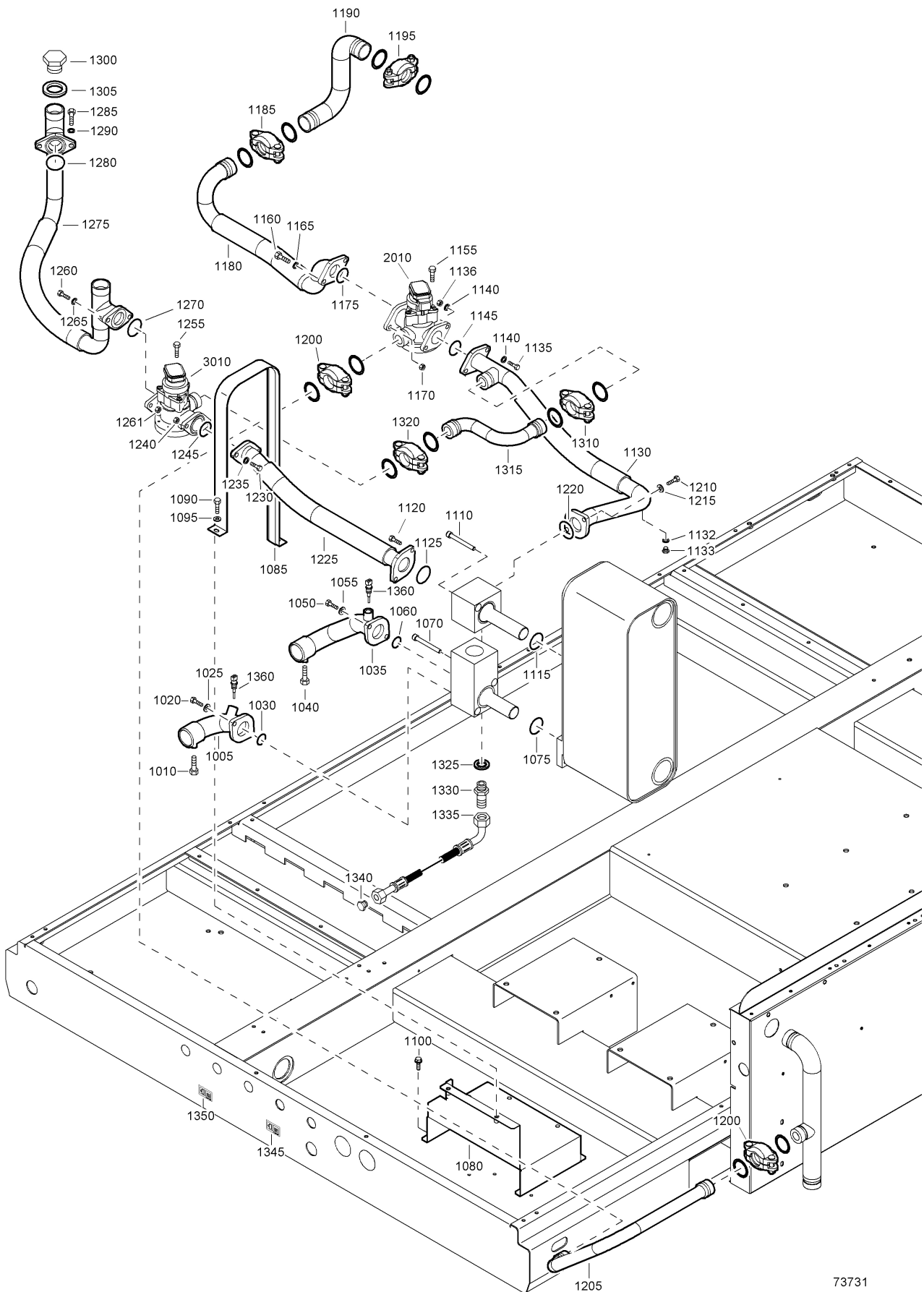
73731

73731

## Cooling system - Piping - Aircooled - With Energy REcovery

Ref.	Partnumber	Qty	Name	Remarks	Ref.	Partnumber	Qty	Name	Remarks
			<b>GA 90+</b>		1315	1623 2825 00	1	Pipe	
			<b>CE</b>		1320	0634 1001 51	1	Coupling	
			<b>CHINA</b>		1325	0661 1000 27	1	Seal washer	
			<b>CRN</b>		1330	1079 5840 15	1	Nipple	
			<b>MOL</b>		1335	0574 8235 11	1	Hose assembly	
			<b>MOM</b>		1340	1614 9252 00	1	Plug	
1005	1623 2823 00	1	Pipe		1345	1079 9913 69	1	Inform.label	
1010	0147 1322 03	1	Bolt		1350	1079 9913 79	1	Inform.label	
1020	0147 1362 03	2	Bolt		1360	1089 0574 70	2	Sensor	
1025	0301 2344 00	2	Washer					<b>GA 110</b>	
1030	0663 2107 77	1	O-ring					<b>GA 110+</b>	
1035	1623 2824 00	1	Pipe					<b>GA 132</b>	
1040	0147 1322 03	1	Bolt					<b>GA 132+</b>	
1050	0147 1362 03	2	Bolt					<b>CE</b>	
1055	0301 2344 00	2	Washer					<b>CHINA</b>	
1060	0663 2107 77	1	O-ring					<b>CRN</b>	
1070	0211 1375 03	2	Screw					<b>MOL</b>	
1075	0663 2107 77	1	O-ring					<b>MOM</b>	
1080	1623 1245 00	1	Support		1005	1623 2823 00	1	Pipe	
1085	1623 1774 00	2	Bracket		1010	0147 1322 03	1	Bolt	
1090	0147 1326 03	4	Bolt		1020	0147 1362 03	2	Bolt	
1095	0301 2335 00	4	Washer		1025	0301 2344 00	2	Washer	
1100	1619 2766 00	5	Bolt		1030	0663 2107 77	1	O-ring	
1110	0211 1375 03	2	Screw		1035	1623 2824 00	1	Pipe	
1115	0663 2107 77	1	O-ring		1040	0147 1322 03	1	Bolt	
1120	0147 1362 03	2	Bolt		1050	0147 1362 03	2	Bolt	
1125	0663 2107 77	1	O-ring		1055	0301 2344 00	2	Washer	
1130	1623 1248 00	1	Hose assembly		1060	0663 2107 77	1	O-ring	
1132	0661 1000 25	1	Seal washer		1070	0211 1375 03	2	Screw	
1133	0686 3716 01	1	Plug		1075	0663 2107 77	1	O-ring	
1135	0147 1364 03	2	Bolt		1080	1623 1245 00	1	Support	
1136	0266 2111 00	2	Nut		1085	1623 1774 00	2	Bracket	
1140	0301 2344 00	4	Washer		1090	0147 1326 03	4	Bolt	
1145	0663 2109 68	1	O-ring		1095	0301 2335 00	4	Washer	
1155	0147 1322 03	3	Bolt		1100	1619 2766 00	5	Bolt	
1160	0147 1364 03	2	Bolt		1110	0211 1375 03	2	Screw	
1165	0301 2344 00	2	Washer		1115	0663 2107 77	1	O-ring	
1170	0266 2111 00	2	Nut		1120	0147 1362 03	2	Bolt	
1175	0663 2109 68	1	O-ring		1125	0663 2107 77	1	O-ring	
1180	1623 1285 00	1	Hose assembly		1130	1623 1248 00	1	Hose assembly	
1185	0634 1000 28	1	Victaulic coupling		1132	0661 1000 25	1	Seal washer	
1190	1623 1288 00	1	Pipe		1133	0686 3716 01	1	Plug	
1195	0634 1000 28	1	Victaulic coupling		1135	0147 1364 03	2	Bolt	
1200	0634 1001 51	2	Coupling		1136	0266 2111 00	2	Nut	
1205	1623 1317 00	1	Pipe		1140	0301 2344 00	4	Washer	
1210	0147 1362 03	2	Bolt		1145	0663 2109 68	1	O-ring	
1215	0301 2344 00	2	Washer		1155	0147 1322 03	3	Bolt	
1220	0663 2107 77	1	O-ring		1160	0147 1364 03	2	Bolt	
1225	1623 1247 00	1	Hose assembly		1165	0301 2344 00	2	Washer	
1230	0147 1364 03	2	Bolt		1170	0266 2111 00	2	Nut	
1235	0301 2344 00	2	Washer		1175	0663 2109 68	1	O-ring	
1240	0266 2111 00	2	Nut		1180	1623 1285 00	1	Hose assembly	
1245	0663 2109 68	1	O-ring		1185	0634 1000 28	1	Victaulic coupling	
1255	0147 1322 03	3	Bolt		1190	1623 1288 00	1	Pipe	
1260	0147 1364 03	2	Bolt		1195	0634 1000 28	1	Victaulic coupling	
1261	0266 2111 00	2	Nut		1200	0634 1001 51	2	Coupling	
1265	0301 2344 00	2	Washer		1205	1623 1317 00	1	Pipe	
1270	0663 2109 68	1	O-ring		1210	0147 1362 03	2	Bolt	
1275	1623 1255 00	1	Hose assembly		1215	0301 2344 00	2	Washer	
1280	0663 2109 68	1	O-ring		1220	0663 2107 77	1	O-ring	
1285	0147 1365 03	2	Bolt		1225	1623 1247 00	1	Hose assembly	
1290	0301 2344 00	2	Washer		1230	0147 1364 03	2	Bolt	
1300	2250 2528 00	1	Plug screw		1235	0301 2344 00	2	Washer	
1305	0661 1000 31	1	Seal washer		1240	0266 2111 00	2	Nut	
1310	0634 1001 51	1	Coupling		1245	0663 2109 68	1	O-ring	

3?



73731

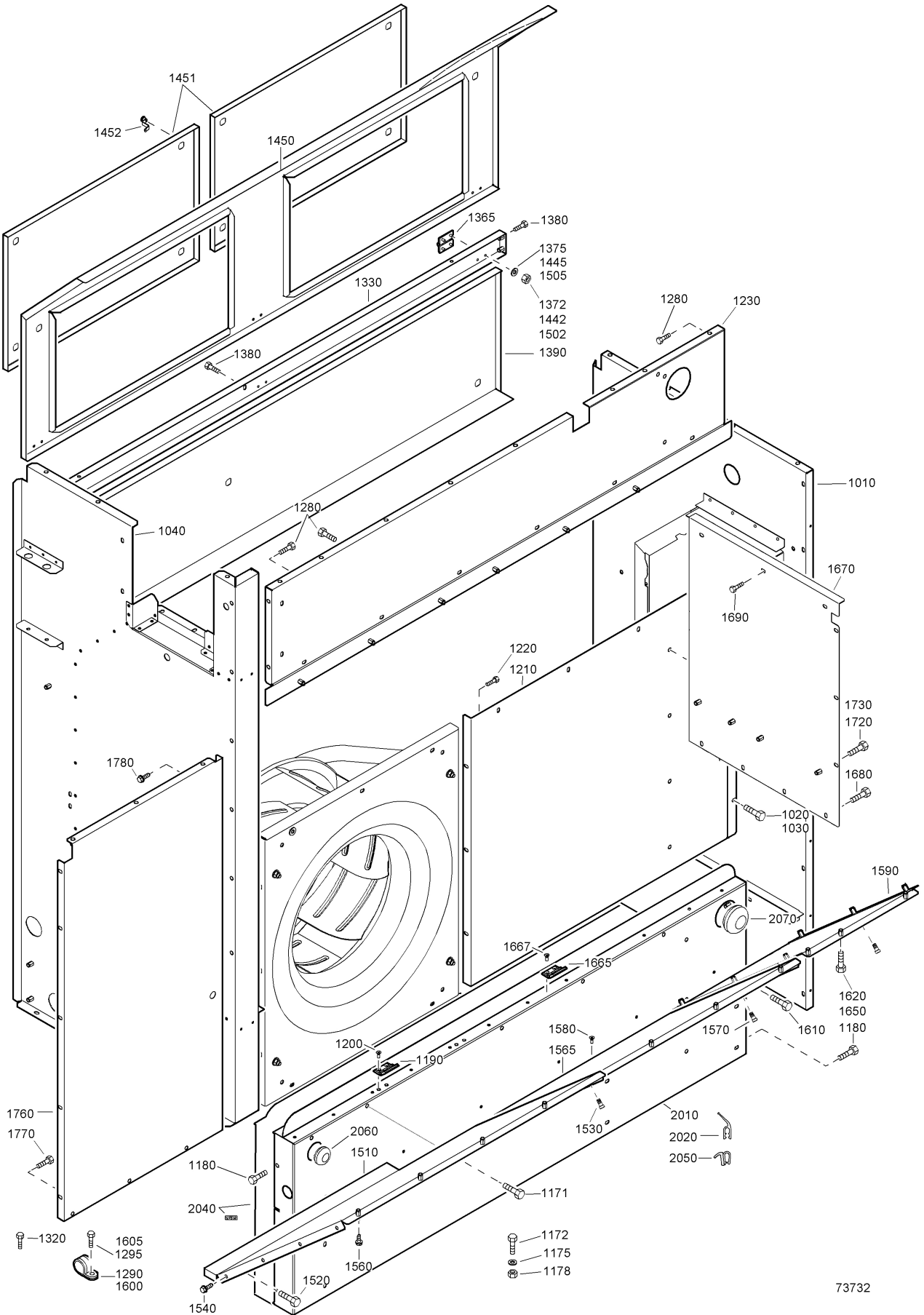
73731



## Cooling system - Piping - Aircooled - With Energy REcovery

Ref.	Part number	Qty	Name	Remarks	Ref.	Part number	Qty	Name	Remarks
1255	0147 1322 03	3	Bolt		1133	0686 3716 01	1	Plug	
1260	0147 1364 03	2	Bolt		1135	0147 1364 03	2	Bolt	
1261	0266 2111 00	2	Nut		1136	0266 2111 00	2	Nut	
1265	0301 2344 00	2	Washer		1140	0301 2344 00	4	Washer	
1270	0663 2109 68	1	O-ring		1145	0663 2109 68	1	O-ring	
1275	1623 1255 00	1	Hose assembly		1155	0147 1322 03	3	Bolt	
1280	0663 2109 68	1	O-ring		1160	0147 1364 03	2	Bolt	
1285	0147 1365 03	2	Bolt		1165	0301 2344 00	2	Washer	
1290	0301 2344 00	2	Washer		1170	0266 2111 00	2	Nut	
1300	2250 2528 00	1	Plug screw		1175	0663 2109 68	1	O-ring	
1305	0661 1000 31	1	Seal washer		1180	1623 1285 00	1	Hose assembly	
1310	0634 1001 51	1	Coupling		1185	0634 1000 28	1	Victaulic coupling	
1315	1623 2825 00	1	Pipe		1190	1623 1288 00	1	Pipe	
1320	0634 1001 51	1	Coupling		1195	0634 1000 28	1	Victaulic coupling	
1325	0661 1000 27	1	Seal washer		1200	0634 1001 51	2	Coupling	
1330	1079 5840 15	1	Nipple		1205	1623 1317 00	1	Pipe	
1335	0574 8235 11	1	Hose assembly		1210	0147 1362 03	2	Bolt	
1340	1614 9252 00	1	Plug		1215	0301 2344 00	2	Washer	
1345	1079 9913 69	1	Inform.label		1220	0663 2107 77	1	O-ring	
1350	1079 9913 79	1	Inform.label		1225	1623 1247 00	1	Hose assembly	
1360	1089 0574 70	2	Sensor		1230	0147 1364 03	2	Bolt	
			<b>GA 160</b>		1235	0301 2344 00	2	Washer	
			<b>GA 160+</b>		1240	0266 2111 00	2	Nut	
			<b>CE</b>		1245	0663 2109 68	1	O-ring	
			<b>CHINA</b>		1255	0147 1322 03	3	Bolt	
			<b>CRN</b>		1260	0147 1364 03	2	Bolt	
			<b>MOL</b>		1261	0266 2111 00	2	Nut	
			<b>MOM</b>		1265	0301 2344 00	2	Washer	
1005	1623 2823 00	1	Pipe		1270	0663 2109 68	1	O-ring	
1010	0147 1322 03	1	Bolt		1275	1623 1255 00	1	Hose assembly	
1020	0147 1362 03	2	Bolt		1280	0663 2109 68	1	O-ring	
1025	0301 2344 00	2	Washer		1285	0147 1365 03	2	Bolt	
1030	0663 2107 77	1	O-ring		1290	0301 2344 00	2	Washer	
1035	1623 2824 00	1	Pipe		1300	2250 2528 00	1	Plug screw	
1040	0147 1322 03	1	Bolt		1305	0661 1000 31	1	Seal washer	
1050	0147 1362 03	2	Bolt		1310	0634 1001 51	1	Coupling	
1055	0301 2344 00	2	Washer		1315	1623 2825 00	1	Pipe	
1060	0663 2107 77	1	O-ring		1320	0634 1001 51	1	Coupling	
1070	0211 1375 03	2	Screw		1325	0661 1000 27	1	Seal washer	
1075	0663 2107 77	1	O-ring		1330	1079 5840 15	1	Nipple	
1080	1623 1245 00	1	Support		1335	0574 8235 11	1	Hose assembly	
1085	1623 1774 00	2	Bracket		1340	1614 9252 00	1	Plug	
1090	0147 1326 03	4	Bolt		1345	1079 9913 69	1	Inform.label	
1095	0301 2335 00	4	Washer		1350	1079 9913 79	1	Inform.label	
1100	1619 2766 00	5	Bolt		1360	1089 0574 70	2	Sensor	
1110	0211 1375 03	2	Screw					<b>Oil bypass valve</b>	
1115	0663 2107 77	1	O-ring		2010	1623 1213 00	1	Valve	
1120	0147 1362 03	2	Bolt					<b>Oil bypass valve - Energy</b>	
1125	0663 2107 77	1	O-ring					<b>REcovery</b>	
1130	1623 1248 00	1	Hose assembly					<b>cooler</b>	
1132	0661 1000 25	1	Seal washer		3010	1623 1213 00	1	Valve	

33



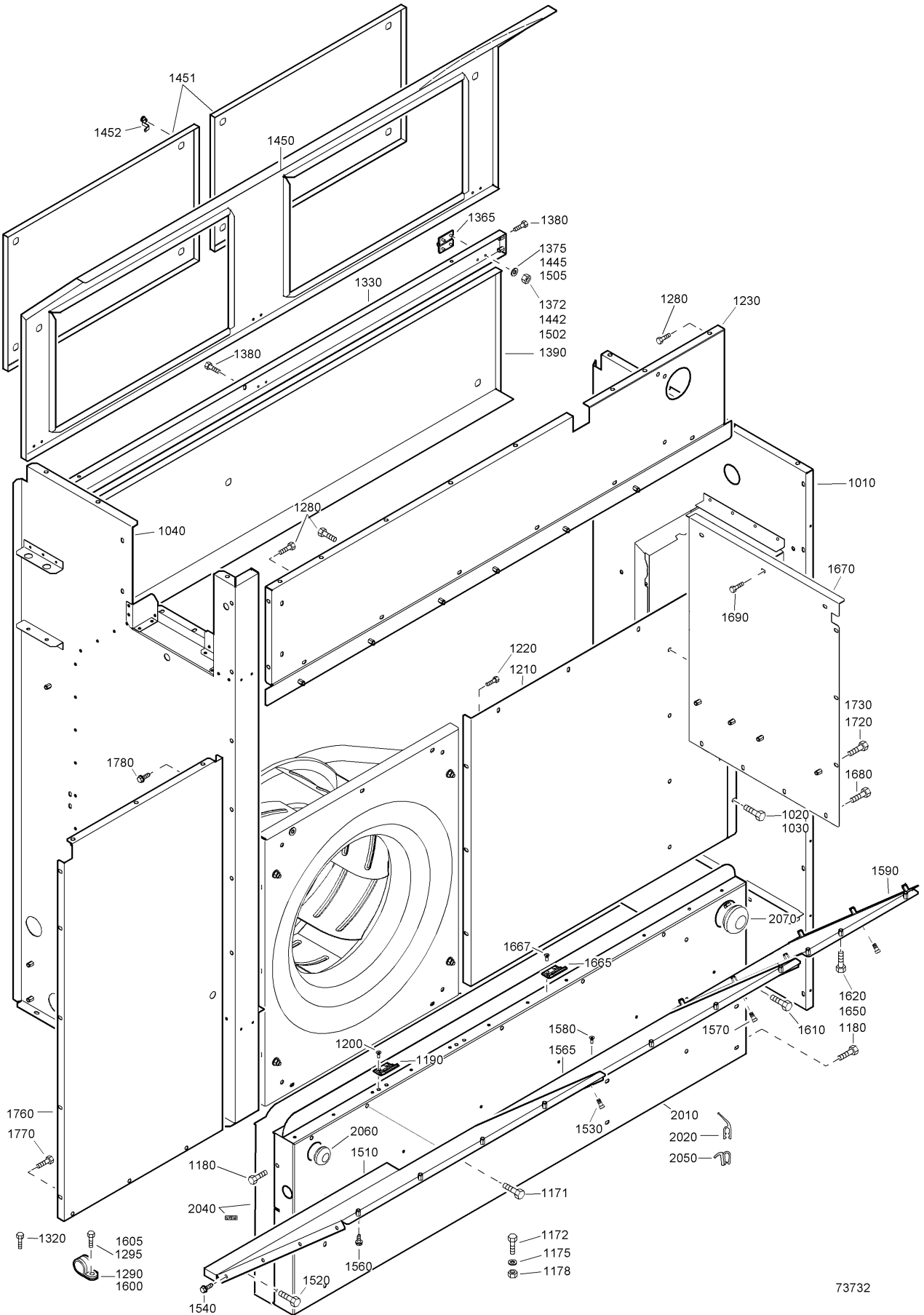
73732

73732

## Cooling system - Baffles - Aircooled

Ref.	Partnumber	Qty	Name	Remarks	Ref.	Partnumber	Qty	Name	Remarks
			<b>GA90+</b>		1770	0147 1963 08	5	Hexagon bolt	
			<b>GA 110</b>		1780	0147 1963 08	6	Hexagon bolt	
			<b>GA 110+</b>			<b>1623 2546 80</b>	<b>1</b>	<b>Plate</b>	
			<b>AS1210</b>		2010		• 1	Plate	
			<b>ASME (U Stamp)</b>		2020	1619 6449 00	• AR	Seal	
1010	1623 3369 80	1	Plate		2040	1619 5188 00	• 17	Seal	
1020	1619 5337 01	4	Bolt		2050	1619 2665 00	• 18	Seal	
1030	1619 5337 01	4	Bolt		2060	1088 0803 26	• 1	Grommet	
1171	0147 1963 08	4	Hexagon bolt		2070	1088 0803 10	• 1	Grommet	
1172	0147 1322 03	2	Bolt					<b>GA 132</b>	
1175	0301 2335 00	4	Washer					<b>GA 132+</b>	
1178	0266 2110 00	2	Hexagon nut					<b>GA 160</b>	
1180	0147 1963 08	6	Hexagon bolt					<b>GA 160+</b>	
1190	1623 1116 00	2	Hinge					<b>AS1210</b>	
1200	0216 1957 26	4	Hex sock. screw					<b>ASME (U Stamp)</b>	
<b>1210</b>	<b>1623 0775 80</b>	<b>1</b>	<b>Plate</b>		1010	1623 3369 80	1	Plate	
	1619 5188 00	• 8	Seal		1020	1619 5337 01	4	Bolt	
1220	0147 1963 08	12	Hexagon bolt		1030	1619 5337 01	4	Bolt	
<b>1230</b>	<b>1623 0052 80</b>	<b>1</b>	<b>Plate</b>		1040	1623 3370 80	1	Plate	
	1619 5188 00	• AR	Seal		1171	0147 1963 08	4	Hexagon bolt	
1280	0147 1963 08	7	Hexagon bolt		1172	0147 1322 03	2	Bolt	
1290	0346 1012 44	3	Pipe clamp		1175	0301 2335 00	4	Washer	
1295	1079 1472 06	3	Bolt		1178	0266 2110 00	2	Hexagon nut	
1320	1619 5337 01	2	Bolt		1180	0147 1963 08	6	Hexagon bolt	
<b>1330</b>	<b>1623 2773 80</b>	<b>1</b>	<b>Beam</b>		1190	1623 1116 00	2	Hinge	
	1619 5188 00	• AR	Seal		1200	0216 1957 26	4	Hex sock. screw	
1365	1623 2753 00	6	Hinge		<b>1210</b>	<b>1623 0053 80</b>	<b>1</b>	<b>Plate</b>	
1372	0291 1128 15	12	Nut			1619 5188 00	• 8	Seal	
1375	0301 2321 00	12	Washer		1220	0147 1963 08	4	Hexagon bolt	
1380	0147 1963 08	5	Hexagon bolt		<b>1230</b>	<b>1623 0052 80</b>	<b>1</b>	<b>Plate</b>	
1390	1623 3367 80	1	Baffle			1619 5188 00	• AR	Seal	
1442	0291 1128 15	6	Nut		1280	0147 1963 08	7	Hexagon bolt	
1445	0301 2321 00	6	Washer		1290	0346 1012 44	4	Pipe clamp	
1450	1623 3849 80	1	Baffle		1295	1079 1472 06	4	Bolt	
1451	1623 4136 80	2	Cover		1300	1623 3782 80	1	Plate	
1452	2252 7237 00	5	Doorlock		<b>1350</b>	<b>1623 2773 80</b>	<b>1</b>	<b>Beam</b>	
1502	0291 1128 15	5	Nut			1619 5188 00	• AR	Seal	
1505	0301 2321 00	5	Washer		1385	1623 2753 00	6	Hinge	
<b>1510</b>	<b>1623 1521 80</b>	<b>1</b>	<b>Baffle</b>		1392	0291 1128 15	12	Nut	
	1619 5188 00	• AR	Seal		1395	0301 2321 00	12	Washer	
1520	0147 1963 08	5	Hexagon bolt		1400	0147 1963 08	5	Hexagon bolt	
1530	0147 1963 08	3	Hexagon bolt		1410	1623 3367 80	1	Baffle	
1540	0147 1963 08	4	Hexagon bolt		1462	0291 1128 15	6	Nut	
1560	0147 1963 08	4	Hexagon bolt		1465	0301 2321 00	6	Washer	
<b>1565</b>	<b>1623 1523 80</b>	<b>1</b>	<b>Baffle</b>		1470	1623 3849 80	1	Baffle	
	1619 5188 00	• AR	Seal		1471	1623 4136 80	2	Cover	
1570	0147 1963 08	3	Hexagon bolt		1472	2252 7237 00	5	Doorlock	
1580	0216 1957 26	4	Hex sock. screw		1522	0291 1128 15	5	Nut	
<b>1590</b>	<b>1623 2547 80</b>	<b>1</b>	<b>Baffle</b>		1525	0301 2321 00	5	Washer	
1600	1619 2861 01	4	Clamp		<b>1530</b>	<b>1623 1521 80</b>	<b>1</b>	<b>Baffle</b>	
1605	1619 2766 00	4	Bolt			1619 5188 00	• AR	Seal	
1610	0147 1963 08	3	Hexagon bolt		1540	0147 1963 08	5	Hexagon bolt	
1620	0147 1963 08	3	Hexagon bolt		1550	0147 1963 08	3	Hexagon bolt	
1650	0147 1963 08	1	Hexagon bolt		1560	0147 1963 08	4	Hexagon bolt	
1665	1623 1116 00	2	Hinge		1580	0147 1963 08	4	Hexagon bolt	
1667	0216 1957 26	4	Hex sock. screw		<b>1585</b>	<b>1623 1523 80</b>	<b>1</b>	<b>Baffle</b>	
<b>1670</b>	<b>1623 1488 80</b>	<b>1</b>	<b>Baffle</b>			1619 5188 00	• AR	Seal	
	1619 5188 00	• AR	Seal		1590	0147 1963 08	3	Hexagon bolt	
1680	0147 1963 08	9	Hexagon bolt		1600	0216 1957 26	4	Hex sock. screw	
1690	0147 1963 08	3	Hexagon bolt		<b>1610</b>	<b>1623 2547 80</b>	<b>1</b>	<b>Baffle</b>	
1720	0147 1963 08	4	Hexagon bolt			1619 5188 00	• AR	Seal	
1730	0147 1963 08	4	Hexagon bolt		1620	1619 2861 01	4	Clamp	
<b>1760</b>	<b>1623 0054 80</b>	<b>1</b>	<b>Plate</b>		1625	1619 2766 00	4	Bolt	
	1619 5188 00	• AR	Seal		1630	0147 1963 08	3	Hexagon bolt	
	0698 0153 00	• 1	Rubber ring		1640	0147 1963 08	3	Hexagon bolt	

33



73732

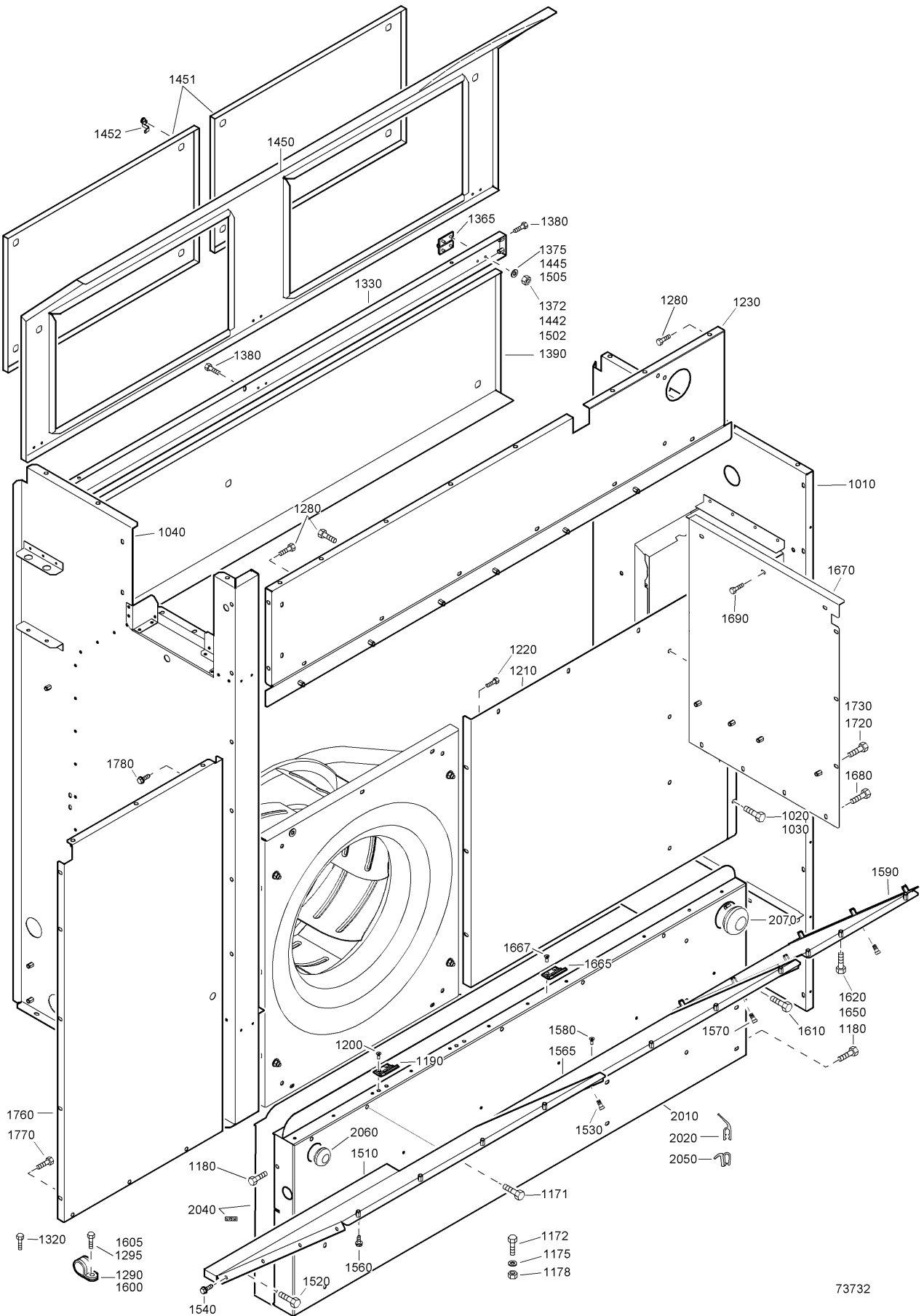
73732

## Cooling system - Baffles - Aircooled

33

Ref.	Partnumber	Qty	Name	Remarks	Ref.	Partnumber	Qty	Name	Remarks
1670	0147 1963 08	1	Hexagon bolt		1530	0147 1963 08	3	Hexagon bolt	
1685	1623 1116 00	2	Hinge		1540	0147 1963 08	4	Hexagon bolt	
1687	0216 1957 26	4	Hex sock. screw		1560	0147 1963 08	4	Hexagon bolt	
<b>1690</b>	<b>1623 1488 80</b>	<b>1</b>	<b>Baffle</b>		<b>1565</b>	<b>1623 1523 80</b>	<b>1</b>	<b>Baffle</b>	
	1619 5188 00	•	AR Seal			1619 5188 00	•	AR Seal	
1700	0147 1963 08	9	Hexagon bolt		1570	0147 1963 08	3	Hexagon bolt	
1710	0147 1963 08	3	Hexagon bolt		1580	0216 1957 26	4	Hex sock. screw	
1740	0147 1963 08	4	Hexagon bolt		<b>1590</b>	<b>1623 2547 80</b>	<b>1</b>	<b>Baffle</b>	
1750	0147 1963 08	4	Hexagon bolt			1619 5188 00	•	AR Seal	
<b>1780</b>	<b>1623 0054 80</b>	<b>1</b>	<b>Plate</b>		1600	1619 2861 01	4	Clamp	
	1619 5188 00	•	AR Seal		1605	1619 2766 00	4	Bolt	
	0698 0153 00	•	1 Rubber ring		1610	0147 1963 08	3	Hexagon bolt	
1790	0147 1963 08	5	Hexagon bolt		1620	0147 1963 08	3	Hexagon bolt	
1800	0147 1963 08	6	Hexagon bolt		1650	0147 1963 08	1	Hexagon bolt	
	<b>1623 2546 80</b>	<b>1</b>	<b>Plate</b>		1665	1623 1116 00	2	Hinge	
2010		•	1 Plate		1667	0216 1957 26	4	Hex sock. screw	
2020	1619 6449 00	•	AR Seal		<b>1670</b>	<b>1623 1488 80</b>	<b>1</b>	<b>Baffle</b>	
2040	1619 5188 00	•	AR Seal			1619 5188 00	•	AR Seal	
2050	1619 2665 00	•	AR Seal		1680	0147 1963 08	9	Hexagon bolt	
2060	1088 0803 26	•	1 Grommet		1690	0147 1963 08	3	Hexagon bolt	
2070	1088 0803 10	•	1 Grommet		1720	0147 1963 08	4	Hexagon bolt	
			<b>GA90+</b>		1730	0147 1963 08	4	Hexagon bolt	
			<b>GA 110</b>		<b>1760</b>	<b>1623 0054 80</b>	<b>1</b>	<b>Plate</b>	
			<b>GA 110+</b>			1619 5188 00	•	AR Seal	
			<b>CE</b>			0698 0153 00	•	1 Rubber ring	
			<b>CHINA</b>		1770	0147 1963 08	5	Hexagon bolt	
			<b>CRN</b>		1780	0147 1963 08	6	Hexagon bolt	
			<b>MOL</b>			<b>1623 2546 80</b>	<b>1</b>	<b>Plate</b>	
1010	1623 3369 80	1	Plate		2010		1	Plate	
1020	1619 5337 01	4	Bolt		2020	1619 6449 00	•	AR Seal	
1030	1619 5337 01	4	Bolt		2040	1619 5188 00	•	AR Seal	
1040	1623 3370 80	1	Plate		2050	1619 2665 00	•	AR Seal	
1171	0147 1963 08	4	Hexagon bolt		2060	1088 0803 26	•	1 Grommet	
1172	0147 1322 03	2	Bolt		2070	1088 0803 10	•	1 Grommet	
1175	0301 2335 00	4	Washer					<b>GA 132</b>	
1178	0266 2110 00	2	Hexagon nut m8					<b>GA 132+</b>	
1180	0147 1963 08	6	Hexagon bolt					<b>GA 160</b>	
1190	1623 1116 00	2	Hinge					<b>GA 160+</b>	
1200	0216 1957 26	4	Hex sock. screw					<b>CE</b>	
<b>1210</b>	<b>1623 0775 80</b>	<b>1</b>	<b>Plate</b>					<b>CHINA</b>	
	1619 5188 00	•	AR Seal					<b>CRN</b>	
1220	0147 1963 08	12	Hexagon bolt					<b>MOL</b>	
<b>1230</b>	<b>1623 0052 80</b>	<b>1</b>	<b>Plate</b>					<b>MOM</b>	
	1619 5188 00	•	AR Seal		1010	1623 3369 80	1	Plate	
1280	0147 1963 08	7	Hexagon bolt		1020	1619 5337 01	4	Bolt	
1290	0346 1012 44	3	Pipe clamp		1030	1619 5337 01	4	Bolt	
1295	1079 1472 06	3	Bolt		1040	1623 3370 80	1	Plate	
1320	1619 5337 01	2	Bolt		1171	0147 1963 08	4	Hexagon bolt	
<b>1330</b>	<b>1623 2773 80</b>	<b>1</b>	<b>Beam</b>		1172	0147 1322 03	2	Bolt	
	1619 5188 00	•	AR Seal		1175	0301 2335 00	4	Washer	
1365	1623 2753 00	6	Hinge		1178	0266 2110 00	2	Hexagon nut	
1372	0291 1128 15	12	Nut		1180	0147 1963 08	6	Hexagon bolt	
1375	0301 2321 00	12	Washer		1190	1623 1116 00	2	Hinge	
1380	0147 1963 08	5	Hexagon bolt		1200	0216 1957 26	4	Hex sock. screw	
1390	1623 3367 80	1	Baffle		<b>1210</b>	<b>1623 0053 80</b>	<b>1</b>	<b>Plate</b>	
1442	0291 1128 15	6	Nut			1619 5188 00	•	8 Seal	
1445	0301 2321 00	6	Washer		1220	0147 1963 08	4	Hexagon bolt	
1450	1623 3849 80	1	Baffle		<b>1230</b>	<b>1623 0052 80</b>	<b>1</b>	<b>Plate</b>	
1451	1623 4136 80	2	Cover			1619 5188 00	•	AR Seal	
1452	2252 7237 00	5	Doorlock		1280	0147 1963 08	7	Hexagon bolt	
1502	0291 1128 15	5	Nut		1290	0346 1012 44	4	Pipe clamp	
1505	0301 2321 00	5	Washer		1295	1079 1472 06	4	Bolt	
<b>1510</b>	<b>1623 1521 80</b>	<b>1</b>	<b>Baffle</b>		1300	1623 3782 80	1	Plate	
	1619 5188 00	•	AR Seal		<b>1350</b>	<b>1623 2773 80</b>	<b>1</b>	<b>Beam</b>	
1520	0147 1963 08	5	Hexagon bolt			1619 5188 00	•	AR Seal	

# 33



73732

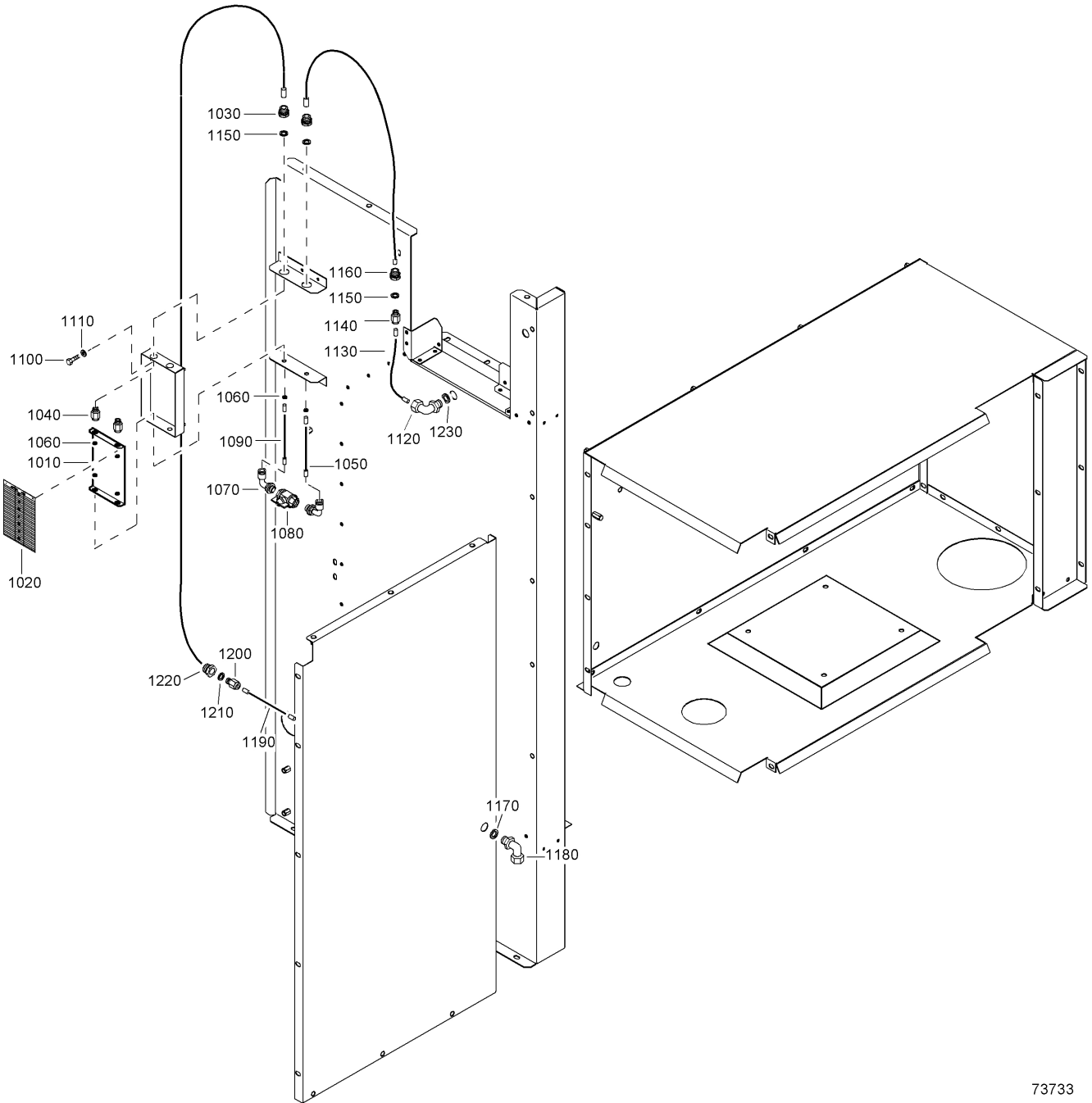
73732

## Cooling system - Baffles - Aircooled

33

Ref.	Partnumber	Qty	Name	Remarks	Ref.	Partnumber	Qty	Name	Remarks
1385	1623 2753 00	6	Hinge		1625	1619 2766 00	4	Bolt	
1392	0291 1128 15	12	Nut		1630	0147 1963 08	3	Hexagon bolt	
1395	0301 2321 00	12	Washer		1640	0147 1963 08	3	Hexagon bolt	
1400	0147 1963 08	5	Hexagon bolt		1670	0147 1963 08	1	Hexagon bolt	
1410	1623 3367 80	1	Baffle		1675	1623 1116 00	2	Hinge	
1462	0291 1128 15	6	Nut		1677	0216 1957 26	4	Hex sock. screw	
1465	0301 2321 00	6	Washer		<b>1690</b>	<b>1623 1488 80</b>	<b>1</b>	<b>Baffle</b>	
1470	1623 3849 80	1	Baffle			1619 5188 00	•	AR Seal	
1471	1623 4136 80	2	Cover		1700	0147 1963 08	9	Hexagon bolt	
1472	2252 7237 00	5	Doorlock		1710	0147 1963 08	3	Hexagon bolt	
1522	0291 1128 15	5	Nut		1740	0147 1963 08	4	Hexagon bolt	
1525	0301 2321 00	5	Washer		1750	0147 1963 08	4	Hexagon bolt	
<b>1530</b>	<b>1623 1521 80</b>	<b>1</b>	<b>Baffle</b>		<b>1780</b>	<b>1623 0054 80</b>	<b>1</b>	<b>Plate</b>	
	1619 5188 00	•	AR Seal			1619 5188 00	•	AR Seal	
1540	0147 1963 08	5	Hexagon bolt			0698 0153 00	•	1 Rubber ring	
1550	0147 1963 08	3	Hexagon bolt		1790	0147 1963 08	5	Hexagon bolt	
1560	0147 1963 08	4	Hexagon bolt		1800	0147 1963 08	6	Hexagon bolt	
1580	0147 1963 08	4	Hexagon bolt			<b>1623 2546 80</b>	<b>1</b>	<b>Plate</b>	
<b>1585</b>	<b>1623 1523 80</b>	<b>1</b>	<b>Baffle</b>		2010		•	1 Plate	
	1619 5188 00	•	AR Seal		2020	1619 6449 00	•	AR Seal	
1590	0147 1963 08	3	Hexagon bolt		2040	1619 5188 00	•	AR Seal	
1600	0216 1957 26	4	Hex sock. screw		2050	1619 2665 00	•	AR Seal	
<b>1610</b>	<b>1623 2547 80</b>	<b>1</b>	<b>Baffle</b>		2060	1088 0803 26	•	1 Grommet	
	1619 5188 00	•	AR Seal		2070	1088 0803 10	•	1 Grommet	
1620	1619 2861 01	4	Clamp						

# 34



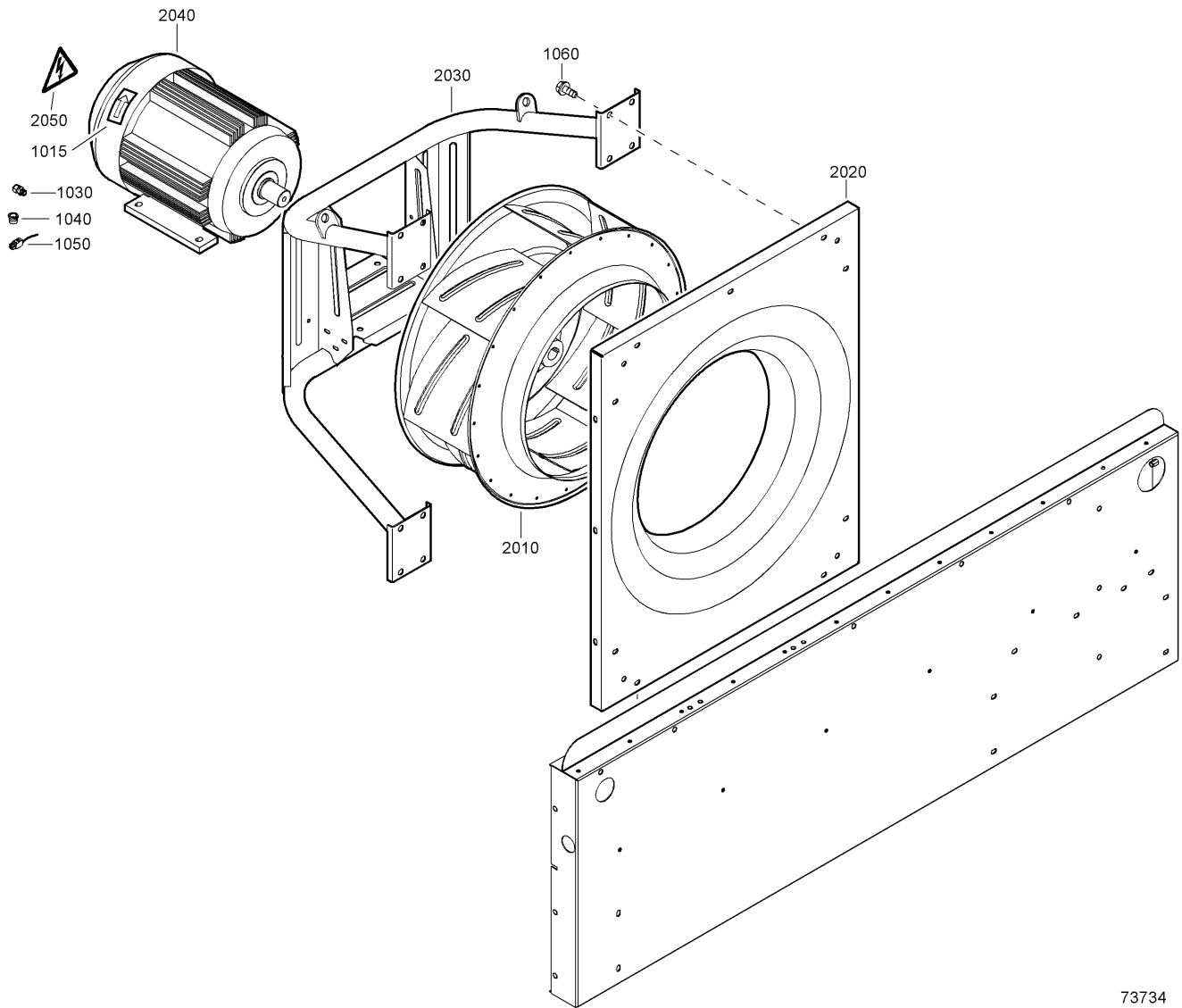
73733



## Cooling system - Level device - Aircooled

Ref.	Part number	Qty	Name	Remarks	Ref.	Part number	Qty	Name	Remarks
			<b>GA90+</b>					<b>CE</b>	
			<b>GA 110</b>					<b>CHINA</b>	
			<b>GA 110+</b>					<b>CRN</b>	
			<b>AS1210</b>					<b>MOL</b>	
			<b>ASME (U Stamp)</b>		1010	1623 1326 00	1	Plate	
1010	1623 1326 00	1	Plate		1020	1623 1328 00	1	Label	
1020	1623 1328 00	1	Label		1030	0581 0000 87	2	Pipe coupling	
1030	0581 0000 87	2	Pipe coupling		1040	9090 1508 00	2	Coupling	
1040	9090 1508 00	2	Coupling		1050	0070 6002 43	2	Ptfe tube	
1050	0070 6002 43	2	Ptfe tube		1060	0989 4220 06	6	Grommet	
1060	0989 4220 06	6	Grommet		1070	9090 1519 00	2	Coupl. elbow	
1070	9090 1519 00	2	Coupl. elbow		1080	0852 0010 36	1	Ball valve	
1080	0852 0010 36	1	Ball valve		1090	0070 6002 43	AR	Tube	
1090	0070 6002 43	AR	Tube		1100	0147 1246 03	4	Bolt	
1100	0147 1246 03	4	Bolt		1110	0301 2321 00	4	Washer	
1110	0301 2321 00	4	Washer		1120	9090 1519 00	1	Coupl. Elbow	
1120	9090 1519 00	1	Coupl. Elbow		1130	0070 6002 43	AR	Tube	
1130	0070 6002 43	AR	Tube		1140	9090 1508 00	1	Coupling	
1140	9090 1508 00	1	Coupling		1150	0653 1124 00	2	Flat gasket	
1150	0653 1124 00	2	Flat gasket		1160	0581 0000 87	1	Pipe coupling	
1160	0581 0000 87	1	Pipe coupling		1170	0661 1000 27	1	Seal washer	
1170	0661 1000 27	1	Seal washer		1180	9090 1519 00	1	Coupl. elbow	
1180	9090 1519 00	1	Coupl. elbow		1190	0070 6002 43	AR	Tube	
1190	0070 6002 43	AR	Tube		1200	9090 1508 00	1	Coupling	
1200	9090 1508 00	1	Coupling		1210	0653 1124 00	2	Flat gasket	
1210	0653 1124 00	2	Flat gasket		1220	0581 0000 87	1	Pipe coupling	
1220	0581 0000 87	1	Pipe coupling		1230	0661 1000 27	1	Seal washer	
1230	0661 1000 27	1	Seal washer					<b>GA 132</b>	
			<b>GA 132+</b>					<b>GA 132+</b>	
			<b>GA 160</b>					<b>GA 160</b>	
			<b>GA 160+</b>					<b>GA 160+</b>	
			<b>AS1210</b>					<b>CE</b>	
			<b>ASME (U Stamp)</b>					<b>CHINA</b>	
1010	1623 1326 00	1	Plate					<b>CRN</b>	
1020	1623 1328 00	1	Label					<b>MOL</b>	
1030	0581 0000 87	2	Pipe coupling		1010	1623 1326 00	1	Plate	
1040	9090 1508 00	2	Coupling		1020	1623 1328 00	1	Label	
1050	0070 6002 43	AR	Ptfe tube		1030	0581 0000 87	2	Pipe coupling	
1060	0989 4220 06	6	Grommet		1040	9090 1508 00	2	Coupling	
1070	9090 1519 00	2	Coupl. Elbow		1050	0070 6002 43	2	Ptfe tube	
1080	0852 0010 36	1	Ball valve		1060	0989 4220 06	6	Grommet	
1090	0070 6002 43	AR	Ptfe tube		1070	9090 1519 00	2	Coupl. elbow	
1100	0147 1246 03	4	Bolt		1080	0852 0010 36	1	Ball valve	
1110	0301 2321 00	4	Washer		1090	0070 6002 43	AR	Tube	
1120	9090 1519 00	1	Coupl. elbow		1100	0147 1246 03	4	Bolt	
1130	0070 6002 43	AR	Ptfe tube		1110	0301 2321 00	4	Washer	
1140	9090 1508 00	1	Coupling		1120	9090 1519 00	1	Coupl. Elbow	
1150	0653 1124 00	2	Flat gasket		1130	0070 6002 43	AR	Tube	
1160	0581 0000 87	1	Pipe coupling		1140	9090 1508 00	1	Coupling	
1170	0661 1000 27	1	Seal washer		1150	0653 1124 00	2	Flat gasket	
1180	9090 1519 00	1	Coupl. elbow		1160	0581 0000 87	1	Pipe coupling	
1190	0070 6002 43	AR	Ptfe tube		1170	0661 1000 27	1	Seal washer	
1200	9090 1508 00	1	Coupling		1180	9090 1519 00	1	Coupl. elbow	
1210	0653 1124 00	2	Flat gasket		1190	0070 6002 43	AR	Tube	
1220	0581 0000 87	1	Pipe coupling		1200	9090 1508 00	1	Coupling	
1230	0661 1000 27	1	Seal washer		1210	0653 1124 00	2	Flat gasket	
			<b>GA90+</b>		1220	0581 0000 87	1	Pipe coupling	
			<b>GA 110</b>		1230	0661 1000 27	1	Seal washer	
			<b>GA 110+</b>						

# 35

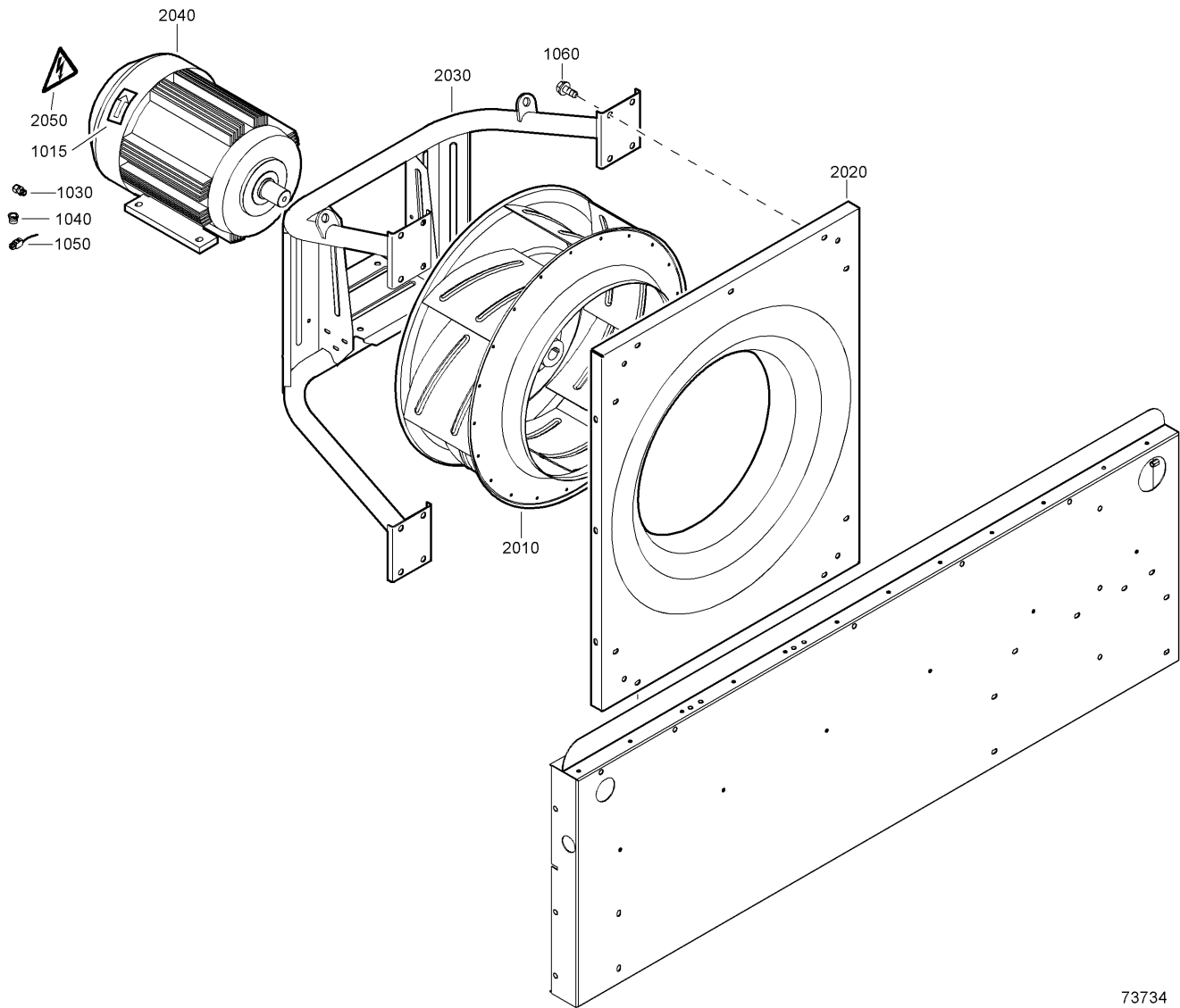


73734

## Cooling system - Aircooled - Fan

Ref.	Partnumber	Qty	Name	Remarks	Ref.	Part number	Qty	Name	Remarks
			<b>GA 90+</b>		1060	0147 1963 08	14	Hexagon bolt	
			<b>Pack - TT or TN network</b>			<b>1623 0863 80</b>	2	<b>Fan radial</b>	
			<b>380 V IEC</b>		2010	1623 0863 00	• 1	Impeller	
			<b>400 V IEC</b>		2020	1623 0864 00	• 1	Plate	
			<b>440 V IEC</b>		2030	1623 0865 00	• 1	Support motor	
1015	1503 0786 00	2	Rotation arrow		2040	1080 4339 01	• 1	Motor	
1030	0698 5145 03	1	Cable gland		2050	1088 1001 01	• 1	Warning mark	
1040	1079 9697 05	1	Reducer					<b>500V IEC</b>	
1050	1088 0031 02	1	Connector					<b>525V IEC</b>	
1060	0147 1963 08	14	Hexagon bolt					<b>550V IEC</b>	
	<b>1623 0863 80</b>	1	<b>Fan radial</b>		1015	1503 0786 00	4	Rotation arrow	
2010	1623 0863 00	• 1	Impeller		1050	1088 0031 02	2	Connector	
2020	1623 0864 00	• 1	Plate bottom		1060	0147 1963 08	14	Hexagon bolt	
2030	1623 0865 00	• 1	Support motor		1100	1079 9923 34	2	Label	
2040	1080 4339 01	• 1	Motor			<b>1623 0863 81</b>	2	<b>Fan radial</b>	
2050	1088 1001 01	• 1	Warning mark		2010	1623 0863 00	• 1	Impeller	
			<b>500 V IEC</b>		2020	1623 0864 00	• 1	Plate	
			<b>525 V IEC</b>		2030	1623 0865 00	• 1	Support motor	
			<b>550 V IEC</b>		2040	1080 4339 02	• 1	Motor	
1015	1503 0786 00	2	Rotation arrow		2050	1088 1001 01	• 1	Warning mark	
1030	0698 5145 03	1	Cable gland					<b>460V CSA-UL</b>	
1040	1079 9697 05	1	Reducer		1015	1503 0786 00	4	Rotation arrow	
1050	1088 0031 02	1	Connector		1050	1088 0031 02	1	Connector	
1060	0147 1963 08	14	Hexagon bolt		1060	0147 1963 08	14	Hexagon bolt	
	<b>1623 0863 81</b>	1	<b>Fan radial</b>		1080	1079 9923 34	2	Label	
2010	1623 0863 00	• 1	Impeller			<b>1623 0863 84</b>	2	<b>Fan radial</b>	
2020	1623 0864 00	• 1	Plate bottom		2010	1623 0863 00	• 1	Impeller	
2030	1623 0865 00	• 1	Support motor		2020	1623 0864 00	• 1	Plate	
2040	1080 4339 02	• 1	Motor		2030	1623 0865 00	• 1	Support motor	
2050	1088 1001 01	• 1	Warning mark		2040	1080 4339 11	• 1	Motor	
			<b>460 V CSA-UL</b>		2050	1088 1001 01	• 1	Warning mark	
1015	1503 0786 00	2	Rotation arrow					<b>575V CSA-UL</b>	
1030	0698 5145 03	1	Cable gland		1015	1503 0786 00	4	Rotation arrow	
1040	1079 9697 05	1	Reducer m25-m20		1050	1088 0031 02	1	Connector	
1050	1088 0031 02	1	Connector		1060	0147 1963 08	14	Hexagon bolt	
1060	0147 1963 08	14	Hexagon bolt		1080	1079 9923 34	2	Label	
1080	1079 9923 34	1	Label			<b>1623 0863 85</b>	2	<b>Fan radial</b>	
	<b>1623 0863 84</b>	1	<b>Fan radial</b>		2010	1623 0863 00	• 1	Impeller	
2010	1623 0863 00	• 1	Impeller		2020	1623 0864 00	• 1	Plate	
2020	1623 0864 00	• 1	Plate bottom		2030	1623 0865 00	• 1	Support motor	
2030	1623 0865 00	• 1	Support motor		2040	1080 4339 12	• 1	Motor	
2040	1080 4339 11	• 1	Motor		2050	1088 1001 01	• 1	Warning mark	
2050	1088 1001 01	• 1	Warning mark					<b>GA 132</b>	
			<b>575 V CSA-UL</b>					<b>GA 132+</b>	
1015	1503 0786 00	2	Rotation arrow					<b>GA 160</b>	
1030	0698 5145 03	1	Cable gland					<b>GA 160+</b>	
1040	1079 9697 05	1	Reducer					<b>Pack - TT or TN network</b>	
1050	1088 0031 02	1	Connector					<b>380V IEC</b>	
1060	0147 1963 08	14	Hexagon bolt					<b>400V IEC</b>	
1075	9823 3974 09	1	Software					<b>440V IEC</b>	
1080	1079 9923 34	1	Label		1015	1503 0786 00	4	Rotation arrow	
	<b>1623 0863 85</b>	1	<b>Fan radial</b>		1050	1088 0031 02	1	Connector	
2010	1623 0863 00	• 1	Impeller		1060	0147 1963 08	14	Hexagon bolt	
2020	1623 0864 00	• 1	Plate bottom		1080	1079 9923 34	2	Label	
2030	1623 0865 00	• 1	Support motor			<b>1623 0863 82</b>	2	<b>Fan radial</b>	
2040	1080 4339 12	• 1	Motor		2010	1623 0863 00	• 1	Impeller	
2050	1088 1001 01	• 1	Warning mark		2020	1623 0864 00	• 1	Plate bottom	
			<b>GA 132</b>		2030	1623 0865 00	• 1	Support motor	
			<b>GA 132+</b>		2040	1080 4120 14	• 1	Motor fan	
			<b>Pack - TT or TN network</b>		2050	1088 1001 01	• 1	Warning mark	
			<b>380V IEC</b>					<b>460V CSA-UL</b>	
			<b>400V IEC</b>		1015	1503 0786 00	4	Rotation arrow	
			<b>440V IEC</b>		1050	1088 0031 02	1	Connector	
1015	1503 0786 00	4	Rotation arrow		1060	0147 1963 08	14	Hexagon bolt	
1050	1088 0031 02	2	Connector		1080	1079 9923 34	2	Label	

# 35

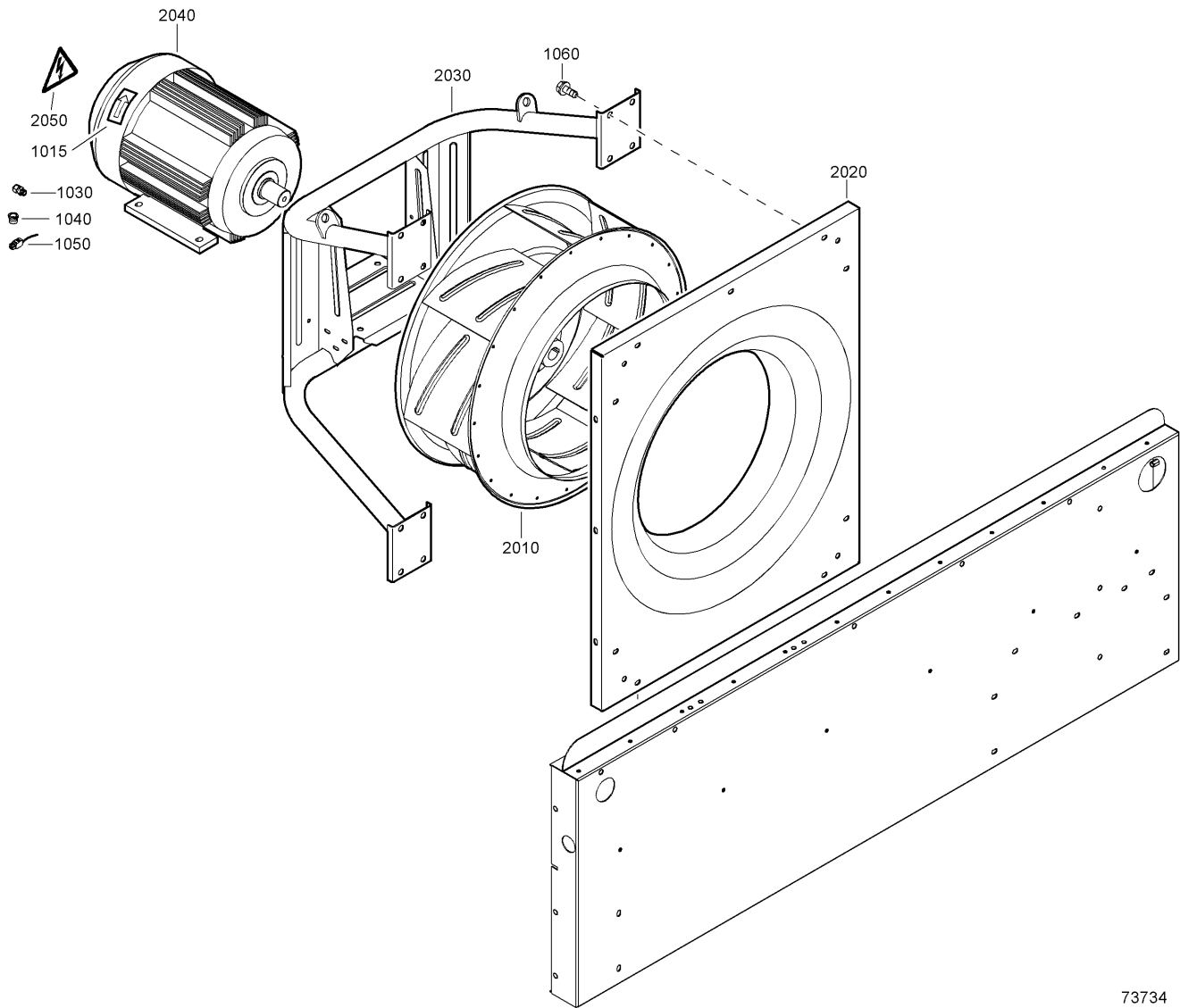


73734

## Cooling system - Aircooled - Fan

Ref.	Partnumber	Qty	Name	Remarks	Ref.	Partnumber	Qty	Name	Remarks
	<b>1623 0863 86</b>	<b>2</b>	<b>Fan radial</b>		2030	1623 0865 00	• 1	Support motor	
2010	1623 0863 00	• 1	Impeller		2040	1080 4120 04	• 1	Motor	
2020	1623 0864 00	• 1	Plate bottom		2050	1088 1001 01	• 1	Warning mark	
2030	1623 0865 00	• 1	Support motor					<b>460 V CSA-UL</b>	
2040	1080 4120 14	• 1	Motor fan		1015	1503 0786 00	2	Rotation arrow	
2050	1088 1001 01	• 1	Warning mark		1030	0698 5145 03	1	Cable gland	
			<b>500V IEC</b>		1040	1079 9697 05	1	Reducer	
1015	1503 0786 00	4	Rotation arrow		1050	1088 0031 02	1	Connector	
1050	1088 0031 02	1	Connector		1060	0147 1963 08	14	Hexagon bolt	
1060	0147 1963 08	14	Hexagon bolt		1075	9823 3974 18	1	Software	
1080	1079 9923 34	2	Label		1080	1079 9923 34	1	Label	
	<b>1623 0863 83</b>	<b>2</b>	<b>Fan radial</b>			<b>1623 0863 86</b>	<b>1</b>	<b>Fan radial</b>	
2010	1623 0863 00	• 1	Impeller		2010	1623 0863 00	• 1	Impeller	
2020	1623 0864 00	• 1	Plate bottom		2020	1623 0864 00	• 1	Plate bottom	
2030	1623 0865 00	• 1	Support motor		2030	1623 0865 00	• 1	Support motor	
2040	1080 4120 14	• 1	Motor fan		2040	1080 4120 13	• 1	Motor fan	
2050	1088 1001 01	• 1	Warning mark		2050	1088 1001 01	• 1	Warning mark	
			<b>GA 132</b>					<b>575 V CSA-UL</b>	
			<b>GA 132+</b>		1015	1503 0786 00	2	Rotation arrow	
			<b>GA 160</b>		1030	0698 5145 03	1	Cable gland	
			<b>GA 160+</b>		1040	1079 9697 05	1	Reducer	
			<b>Pack - TT or TN network</b>		1050	1088 0031 02	1	Connector	
			<b>575V CSA-UL</b>		1060	0147 1963 08	14	Hexagon bolt	
1015	1503 0786 00	4	Rotation arrow		1075	9823 3974 19	1	Software	
1050	1088 0031 02	1	Connector		1080	1079 9923 34	1	Label	
1060	0147 1963 08	14	Hexagon bolt			<b>1623 0863 87</b>	<b>1</b>	<b>Fan radial</b>	
1080	1079 9923 34	2	Label		2010	1623 0863 00	• 1	Impeller	
	<b>1623 0863 87</b>	<b>2</b>	<b>Fan radial</b>		2020	1623 0864 00	• 1	Plate bottom	
2010	1623 0863 00	• 1	Impeller		2030	1623 0865 00	• 1	Support motor	
2020	1623 0864 00	• 1	Plate bottom		2040	1080 4120 14	• 1	Motor fan	
2030	1623 0865 00	• 1	Support motor		2050	1088 1001 01	• 1	Warning mark	
2040	1080 4120 14	• 1	Motor fan					<b>GA 132</b>	
2050	1088 1001 01	• 1	Warning mark					<b>GA 132+</b>	
			<b>GA 90+</b>					<b>Full feature - TT or</b>	
			<b>GA 110</b>					<b>TN network</b>	
			<b>GA 110+</b>					<b>380V IEC</b>	
			<b>Full feature - TT or</b>					<b>400V IEC</b>	
			<b>TN network</b>					<b>440V IEC</b>	
			<b>380 V IEC</b>		1015	1503 0786 00	4	Rotation arrow	
			<b>400 V IEC</b>		1050	1088 0031 02	2	Connector	
			<b>440 V IEC</b>		1060	0147 1963 08	14	Hexagon bolt	
1015	1503 0786 00	2	Rotation arrow			<b>1623 0863 82</b>	<b>2</b>	<b>Fan radial</b>	
1030	0698 5145 03	1	Cable gland		2010	1623 0863 00	• 1	Impeller	
1040	1079 9697 05	1	Reducer		2020	1623 0864 00	• 1	Plate bottom	
1050	1088 0031 02	1	Connector		2030	1623 0865 00	• 1	Support motor	
1060	0147 1963 08	14	Hexagon bolt		2040	1080 4120 03	• 1	Motor fan	
1075	9823 3974 11	1	Software		2050	1088 1001 01	• 1	Warning mark	
	<b>1623 0863 82</b>	<b>1</b>	<b>Fan radial</b>					<b>500V IEC</b>	
2010	1623 0863 00	• 1	Impeller					<b>525V IEC</b>	
2020	1623 0864 00	• 1	Plate bottom					<b>550V IEC</b>	
2030	1623 0865 00	• 1	Support motor		1015	1503 0786 00	4	Rotation arrow	
2040	1080 4120 03	• 1	Motor fan		1050	1088 0031 02	2	Connector	
2050	1088 1001 01	• 1	Warning mark		1060	0147 1963 08	14	Hexagon bolt	
			<b>500 V IEC</b>		1080	1079 9923 34	2	Label	
			<b>525 V IEC</b>			<b>1623 0863 83</b>	<b>2</b>	<b>Fan radial</b>	
			<b>550 V IEC</b>		2010	1623 0863 00	• 1	Impeller	
1015	1503 0786 00	2	Rotation arrow		2020	1623 0864 00	• 1	Plate bottom	
1030	0698 5145 03	1	Cable gland		2030	1623 0865 00	• 1	Support motor	
1040	1079 9697 05	1	Reducer m25-m20		2040	1080 4120 04	• 1	Motor	
1050	1088 0031 02	1	Connector		2050	1088 1001 01	• 1	Warning mark	
1060	0147 1963 08	14	Hexagon bolt					<b>460V CSA-UL</b>	
1075	9823 3974 13	1	Software		1015	1503 0786 00	4	Rotation arrow	
	<b>1623 0863 83</b>	<b>1</b>	<b>Fan radial</b>		1050	1088 0031 02	1	Connector	
2010	1623 0863 00	• 1	Impeller		1060	0147 1963 08	14	Hexagon bolt	
2020	1623 0864 00	• 1	Plate bottom		1080	1079 9923 34	2	Label	

# 35



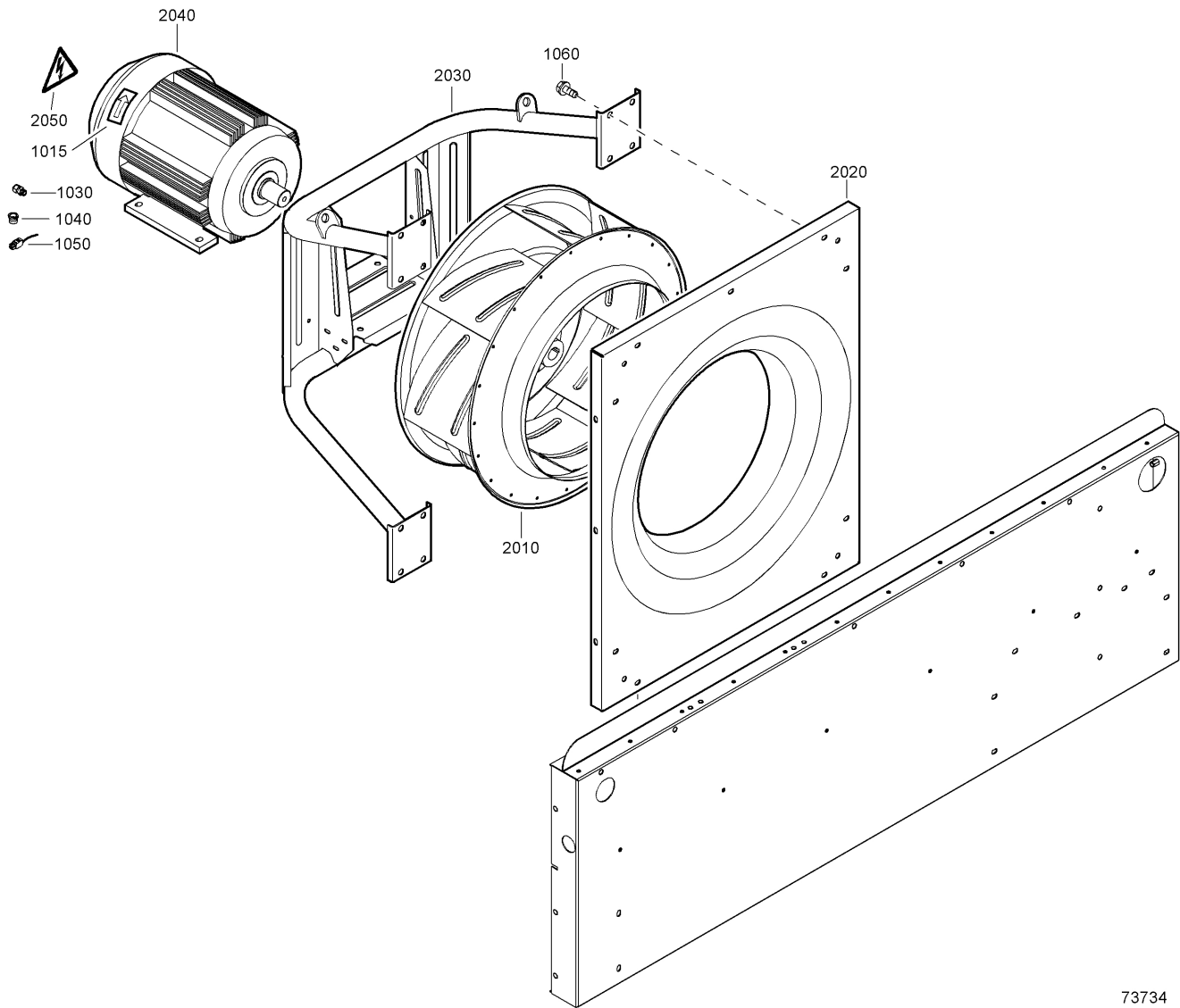
73734

73734

## Cooling system - Aircooled - Fan

Ref.	Part number	Qty	Name	Remarks	Ref.	Part number	Qty	Name	Remarks
	<b>1623 0863 86</b>	<b>2</b>	<b>Fan radial</b>		2030	1623 0865 00	• 1	Support motor	
2010	1623 0863 00	• 1	Impeller		2040	1080 4120 14	• 1	Motor fan	
2020	1623 0864 00	• 1	Plate bottom		2050	1088 1001 01	• 1	Warning mark	
2030	1623 0865 00	• 1	Support motor					<b>GA 132</b>	
2040	1080 4120 13	• 1	Motor fan					<b>GA 132+</b>	
2050	1088 1001 01	• 1	Warning mark					<b>GA 160</b>	
			<b>575V CSA-UL</b>					<b>GA 160+</b>	
1015	1503 0786 00	4	Rotation arrow					<b>Pack and Full Feature-TT or</b>	
1050	1088 0031 02	1	Connector					<b>TN network</b>	
1060	0147 1963 08	14	Hexagon bolt					<b>525 V (3 ph) IEC</b>	
1080	1079 9923 34	2	Label		1015	1503 0786 00	4	Rotation arrow	
	<b>1623 0863 87</b>	<b>2</b>	<b>Fan radial</b>		1050	1088 0031 02	1	Connector	
2010	1623 0863 00	• 1	Impeller		1060	0147 1963 08	14	Hexagon bolt	
2020	1623 0864 00	• 1	Plate bottom		1080	1079 9923 34	2	Label	
2030	1623 0865 00	• 1	Support motor			<b>1623 0863 83</b>	<b>2</b>	<b>Fan radial</b>	
2040	1080 4120 14	• 1	Motor fan		2010	1623 0863 00	• 1	Impeller	
2050	1088 1001 01	• 1	Warning mark		2020	1623 0864 00	• 1	Plate bottom	
			<b>GA 132</b>		2030	1623 0865 00	• 1	Support motor	
			<b>GA 132+</b>		2040	1080 4120 14	• 1	Motor fan	
			<b>GA 160</b>		2050	1088 1001 01	• 1	Warning mark	
			<b>GA 160+</b>					<b>GA 132</b>	
			<b>ack and Full Feature-TT or</b>					<b>GA 132+</b>	
			<b>TN network</b>					<b>GA 160</b>	
			<b>400 V (3 ph) IEC</b>					<b>GA 160+</b>	
1015	1503 0786 00	4	Rotation arrow					<b>Pack and Full Feature-TT or</b>	
1050	1088 0031 02	1	Connector					<b>TN network</b>	
1060	0147 1963 08	14	Hexagon bolt					<b>550V IEC</b>	
1080	1079 9923 34	2	Label		1015	1503 0786 00	4	Rotation arrow	
	<b>1623 0863 82</b>	<b>2</b>	<b>Fan radial</b>		1050	1088 0031 02	1	Connector	
2010	1623 0863 00	• 1	Impeller		1060	0147 1963 08	14	Hexagon bolt	
2020	1623 0864 00	• 1	Plate bottom		1080	1079 9923 34	2	Label	
2030	1623 0865 00	• 1	Support motor			<b>1623 0863 83</b>	<b>2</b>	<b>Fan radial</b>	
2040	1080 4120 14	• 1	Motor fan		2010	1623 0863 00	• 1	Impeller	
2050	1088 1001 01	• 1	Warning mark		2020	1623 0864 00	• 1	Plate bottom	
			<b>GA 132</b>		2030	1623 0865 00	• 1	Support motor	
			<b>GA 132+</b>		2040	1080 4120 14	• 1	Motor fan	
			<b>GA 160</b>		2050	1088 1001 01	• 1	Warning mark	
			<b>GA 160+</b>					<b>GA 132</b>	
			<b>ack and Full Feature-TT or</b>					<b>GA 132+</b>	
			<b>TN network</b>					<b>GA 160</b>	
			<b>440 V (3 ph) IEC</b>					<b>GA 160+</b>	
1015	1503 0786 00	4	Rotation arrow					<b>Pack and Full Feature-TT or</b>	
1050	1088 0031 02	1	Connector					<b>TN network</b>	
1060	0147 1963 08	14	Hexagon bolt					<b>460 V (3 ph) CSA-UL</b>	
1080	1079 9923 34	2	Label		1015	1503 0786 00	4	Rotation arrow	
	<b>1623 0863 82</b>	<b>2</b>	<b>Fan radial</b>		1050	1088 0031 02	1	Connector	
2010	1623 0863 00	• 1	Impeller		1060	0147 1963 08	14	Hexagon bolt	
2020	1623 0864 00	• 1	Plate bottom		1080	1079 9923 34	2	Label	
2030	1623 0865 00	• 1	Support motor			<b>1623 0863 86</b>	<b>2</b>	<b>Fan radial</b>	
2040	1080 4120 14	• 1	Motor fan		2010	1623 0863 00	• 1	Impeller	
2050	1088 1001 01	• 1	Warning mark		2020	1623 0864 00	• 1	Plate bottom	
			<b>GA 132</b>		2030	1623 0865 00	• 1	Support motor	
			<b>GA 132+</b>		2040	1080 4120 14	• 1	Motor fan	
			<b>GA 160</b>		2050	1088 1001 01	• 1	Warning mark	
			<b>GA 160+</b>					<b>GA 132</b>	
			<b>ack and Full Feature-TT or</b>					<b>GA 132+</b>	
			<b>TN network</b>					<b>GA 160</b>	
			<b>500 V (3 ph) IEC</b>					<b>GA 160+</b>	
1015	1503 0786 00	4	Rotation arrow					<b>Pack and Full Feature-TT or</b>	
1050	1088 0031 02	1	Connector					<b>TN network</b>	
1060	0147 1963 08	14	Hexagon bolt					<b>575 V (3 ph) CSA-UL</b>	
1080	1079 9923 34	2	Label		1015	1503 0786 00	4	Rotation arrow	
	<b>1623 0863 83</b>	<b>2</b>	<b>Fan radial</b>		1050	1088 0031 02	1	Connector	
2010	1623 0863 00	• 1	Impeller		1060	0147 1963 08	14	Hexagon bolt	
2020	1623 0864 00	• 1	Plate bottom		1080	1079 9923 34	2	Label	

# 35



73734

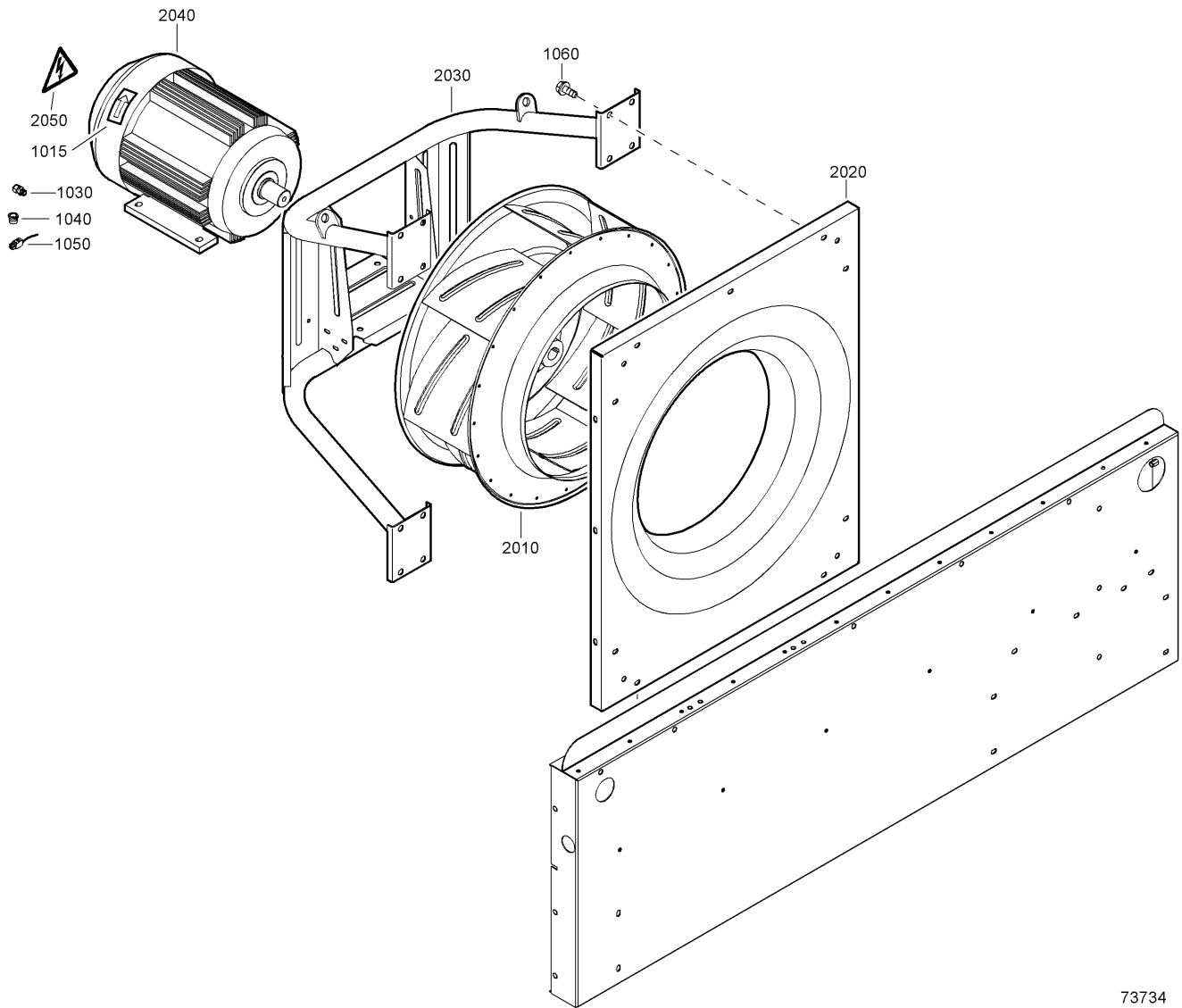
73734



## Cooling system - Aircooled - Fan

Ref.	Partnumber	Qty	Name	Remarks	Ref.	Partnumber	Qty	Name	Remarks
	<b>1623 0863 87</b>	<b>2</b>	<b>Fan radial</b>		1060	0147 1963 08	14	Hexagon bolt	
2010	1623 0863 00	• 1	Impeller		1080	1079 9923 34	1	Label	
2020	1623 0864 00	• 1	Plate bottom			<b>1623 0863 87</b>	<b>1</b>	<b>Fan radial</b>	
2030	1623 0865 00	• 1	Support motor		2010	1623 0863 00	• 1	Impeller	
2040	1080 4120 14	• 1	Motor fan		2020	1623 0864 00	• 1	Plate bottom	
2050	1088 1001 01	• 1	Warning mark		2030	1623 0865 00	• 1	Support motor	
			<b>GA 90+</b>		2040	1080 4120 14	• 1	Motor fan	
			<b>GA 110</b>		2050	1088 1001 01	• 1	Warning mark	
			<b>GA 110+</b>					<b>GA 132</b>	
			<b>High ambient condition - TT</b>					<b>GA 132+</b>	
			<b>or TN network</b>					<b>GA 160</b>	
			<b>Pack 380 V IEC</b>					<b>GA 160+</b>	
			<b>Full feature 380 V IEC</b>					<b>High ambient condition - TT</b>	
			<b>Pack 400 V IEC</b>					<b>or TN network</b>	
			<b>Full feature 400 V IEC</b>					<b>Pack 380V IEC</b>	
			<b>Pack 440 V IEC</b>					<b>Full Feature 380V IEC</b>	
			<b>Pack 525 V IEC</b>		1015	1503 0786 00	4	Rotation arrow	
			<b>Full feature 440 V IEC</b>		1050	1088 0031 02	1	Connector	
1015	1503 0786 00	2	Rotation arrow		1060	0147 1963 08	14	Hexagon bolt	
1030	0698 5145 03	1	Cable gland		1080	1079 9923 34	2	Label	
1040	1079 9697 05	1	Reducer			<b>1623 0863 82</b>	<b>2</b>	<b>Fan radial</b>	
1050	1088 0031 02	1	Connector		2010	1623 0863 00	• 1	Impeller	
1060	0147 1963 08	14	Hexagon bolt		2020	1623 0864 00	• 1	Plate bottom	
	<b>1623 0863 82</b>	<b>1</b>	<b>Fan radial</b>		2030	1623 0865 00	• 1	Support motor	
2010	1623 0863 00	• 1	Impeller		2040	1080 4120 14	• 1	Motor fan	
2020	1623 0864 00	• 1	Plate bottom		2050	1088 1001 01	• 1	Warning mark	
2030	1623 0865 00	• 1	Support motor					<b>GA 90+</b>	
2040	1080 4120 03	• 1	Motor fan					<b>Pack - IT network</b>	
2050	1088 1001 01	• 1	Warning mark					<b>380 V IEC</b>	
			<b>Pack 500 V IEC</b>					<b>400 V IEC</b>	
			<b>Full feature 500 V IEC</b>					<b>440 V IEC</b>	
			<b>Pack 550 V IEC</b>		1015	1503 0786 00	2	Rotation arrow	
			<b>Full feature 525 V IEC</b>		1030	0698 5145 03	1	Cable gland	
			<b>Full feature 550 V IEC</b>		1040	1079 9697 05	1	Reducer	
1015	1503 0786 00	2	Rotation arrow		1050	1088 0031 02	1	Connector	
1030	0698 5145 03	1	Cable gland		1060	0147 1963 08	14	Hexagon bolt	
1040	1079 9697 05	1	Reducer			<b>1623 0863 80</b>	<b>1</b>	<b>Fan radial</b>	
1050	1088 0031 02	1	Connector		2010	1623 0863 00	• 1	Impeller	
1060	0147 1963 08	14	Hexagon bolt		2020	1623 0864 00	• 1	Plate bottom	
	<b>1623 0863 83</b>	<b>1</b>	<b>Fan radial</b>		2030	1623 0865 00	• 1	Support motor	
2010	1623 0863 00	• 1	Impeller		2040	1080 4339 01	• 1	Motor	
2020	1623 0864 00	• 1	Plate bottom		2050	1088 1001 01	• 1	Warning mark	
2030	1623 0865 00	• 1	Support motor					<b>500 V IEC</b>	
2040	1080 4120 04	• 1	Motor					<b>525 V IEC</b>	
2050	1088 1001 01	• 1	Warning mark					<b>550 V IEC</b>	
			<b>Pack 460 V CSA-UL</b>		1015	1503 0786 00	2	Rotation arrow	
			<b>Full feature 460 V CSA-UL</b>		1030	0698 5145 03	1	Cable gland	
1015	1503 0786 00	2	Rotation arrow		1040	1079 9697 05	1	Reducer	
1030	0698 5145 03	1	Cable gland		1050	1088 0031 02	1	Connector	
1040	1079 9697 05	1	Reducer		1060	0147 1963 08	14	Hexagon bolt	
1050	1088 0031 02	1	Connector			<b>1623 0863 81</b>	<b>1</b>	<b>Fan radial</b>	
1060	0147 1963 08	14	Hexagon bolt		2010	1623 0863 00	• 1	Impeller	
1080	1079 9923 34	1	Label		2020	1623 0864 00	• 1	Plate bottom	
	<b>1623 0863 86</b>	<b>1</b>	<b>Fan radial</b>		2030	1623 0865 00	• 1	Support motor	
2010	1623 0863 00	• 1	Impeller		2040	1080 4339 02	• 1	Motor	
2020	1623 0864 00	• 1	Plate bottom		2050	1088 1001 01	• 1	Warning mark	
2030	1623 0865 00	• 1	Support motor					<b>460 V CSA-UL</b>	
2040	1080 4120 13	• 1	Motor fan		1015	1503 0786 00	2	Rotation arrow	
2050	1088 1001 01	• 1	Warning mark		1030	0698 5145 03	1	Cable gland	
			<b>Pack 575 V CSA-UL</b>		1040	1079 9697 05	1	Reducer	
			<b>Full feature 575 V CSA-UL</b>		1050	1088 0031 02	1	Connector	
1015	1503 0786 00	2	Rotation arrow		1060	0147 1963 08	14	Hexagon bolt	
1030	0698 5145 03	1	Cable gland		1080	1079 9923 34	1	Label	
1040	1079 9697 05	1	Reducer			<b>1623 0863 84</b>	<b>1</b>	<b>Fan radial</b>	
1050	1088 0031 02	1	Connector		2010	1623 0863 00	• 1	Impeller	

# 35



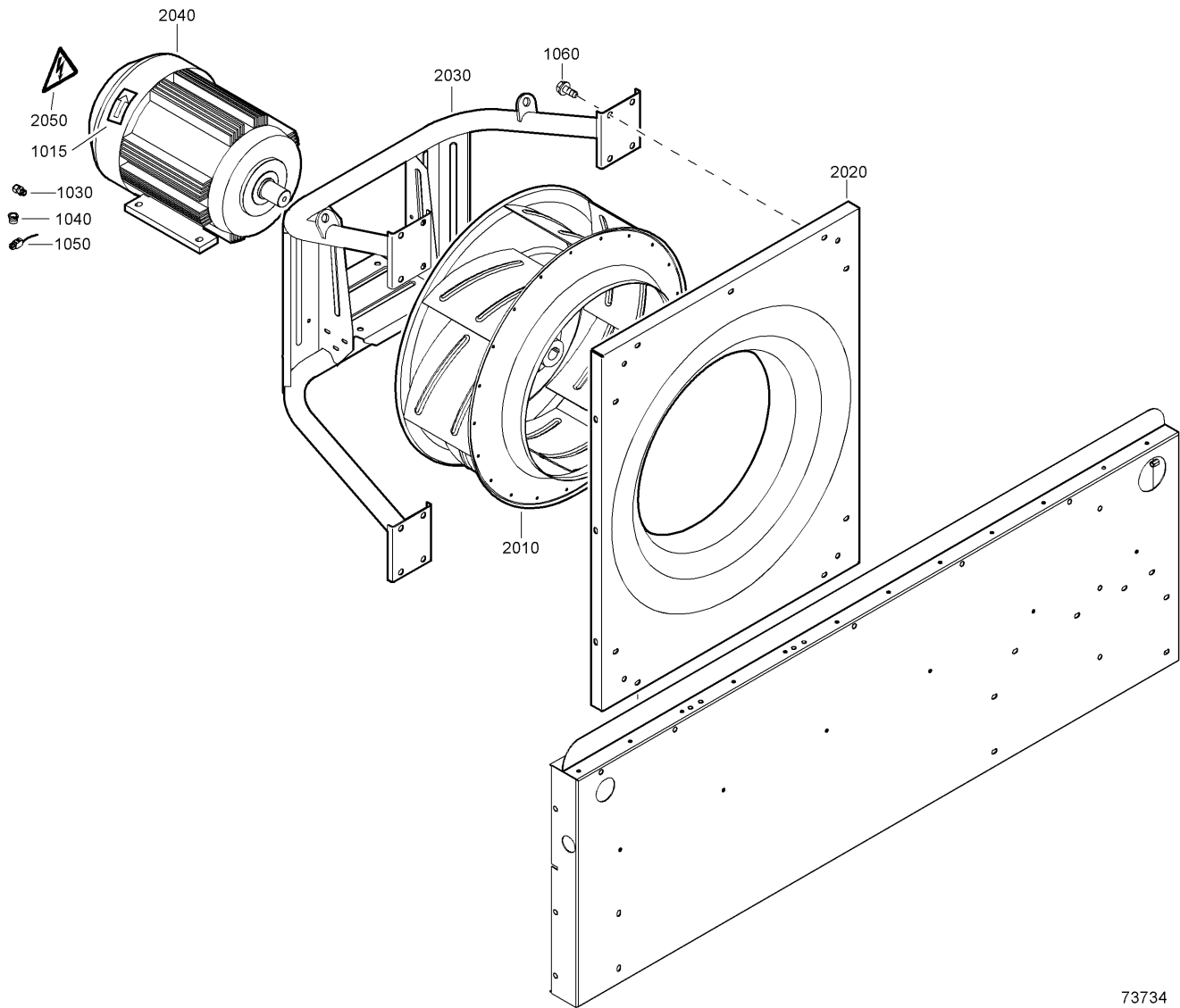
73734

73734

## Cooling system - Aircooled - Fan

Ref.	Partnumber	Qty	Name	Remarks	Ref.	Partnumber	Qty	Name	Remarks
2020	1623 0864 00	• 1	Plate bottom		1040	1079 9697 05	1	Reducer	
2030	1623 0865 00	• 1	Support motor		1050	1088 0031 02	1	Connector	
2040	1080 4339 11	• 1	Motor		1060	0147 1963 08	14	Hexagon bolt	
2050	1088 1001 01	• 1	Warning mark		1080	1079 9923 34	1	Label	
			<b>575 V CSA-UL</b>			<b>1623 0863 87</b>	<b>1</b>	<b>Fan radial</b>	
1015	1503 0786 00	2	Rotation arrow		2010	1623 0863 00	• 1	Impeller	
1030	0698 5145 03	1	Cable gland		2020	1623 0864 00	• 1	Plate bottom	
1040	1079 9697 05	1	Reducer		2030	1623 0865 00	• 1	Support motor	
1050	1088 0031 02	1	Connector		2040	1080 4120 14	• 1	Motor fan	
1060	0147 1963 08	14	Hexagon bolt		2050	1088 1001 01	• 1	Warning mark	
1080	1079 9923 34	1	Label					<b>GA 132</b>	
			<b>1623 0863 85</b>					<b>GA 132+</b>	
2010	1623 0863 00	• 1	Impeller					<b>GA 160</b>	
2020	1623 0864 00	• 1	Plate bottom					<b>GA 160+</b>	
2030	1623 0865 00	• 1	Support motor					<b>Full Feature - IT network</b>	
2040	1080 4339 12	• 1	Motor					<b>380V IEC</b>	
2050	1088 1001 01	• 1	Warning mark					<b>400V IEC</b>	
			<b>GA 90+</b>					<b>440V IEC</b>	
			<b>GA 110</b>		1015	1503 0786 00	4	Rotation arrow	
			<b>GA 110+</b>		1050	1088 0031 02	1	Connector	
			<b>Full feature - IT network</b>		1060	0147 1963 08	14	Hexagon bolt	
			<b>380 V IEC</b>		1080	1079 9923 34	2	Label	
			<b>400 V IEC</b>			<b>1623 0863 82</b>	<b>2</b>	<b>Fan radial</b>	
			<b>440 V IEC</b>		2010	1623 0863 00	• 1	Impeller	
1015	1503 0786 00	2	Rotation arrow		2020	1623 0864 00	• 1	Plate bottom	
1030	0698 5145 03	1	Cable gland		2030	1623 0865 00	• 1	Support motor	
1040	1079 9697 05	1	Reducer		2040	1080 4120 14	• 1	Motor fan	
1050	1088 0031 02	1	Connector		2050	1088 1001 01	• 1	Warning mark	
1060	0147 1963 08	14	Hexagon bolt					<b>460V CSA-UL</b>	
			<b>1623 0863 82</b>		1015	1503 0786 00	4	Rotation arrow	
2010	1623 0863 00	• 1	Impeller		1050	1088 0031 02	1	Connector	
2020	1623 0864 00	• 1	Plate bottom		1060	0147 1963 08	14	Hexagon bolt	
2030	1623 0865 00	• 1	Support motor		1080	1079 9923 34	2	Label	
2040	1080 4120 03	• 1	Motor fan			<b>1623 0863 86</b>	<b>2</b>	<b>Fan radial</b>	
2050	1088 1001 01	• 1	Warning mark		2010	1623 0863 00	• 1	Impeller	
			<b>500 V IEC</b>		2020	1623 0864 00	• 1	Plate bottom	
			<b>525 V IEC</b>		2030	1623 0865 00	• 1	Support motor	
			<b>550 V IEC</b>		2040	1080 4120 14	• 1	Motor fan	
1015	1503 0786 00	2	Rotation arrow		2050	1088 1001 01	• 1	Warning mark	
1030	0698 5145 03	1	Cable gland					<b>500V IEC</b>	
1040	1079 9697 05	1	Reducer					<b>525V IEC</b>	
1050	1088 0031 02	1	Connector					<b>550V IEC</b>	
1060	0147 1963 08	14	Hexagon bolt		1015	1503 0786 00	4	Rotation arrow	
			<b>1623 0863 83</b>		1050	1088 0031 02	1	Connector	
2010	1623 0863 00	• 1	Impeller		1060	0147 1963 08	14	Hexagon bolt	
2020	1623 0864 00	• 1	Plate bottom		1080	1079 9923 34	2	Label	
2030	1623 0865 00	• 1	Support motor			<b>1623 0863 83</b>	<b>2</b>	<b>Fan radial</b>	
2040	1080 4120 04	• 1	Motor		2010	1623 0863 00	• 1	Impeller	
2050	1088 1001 01	• 1	Warning mark		2020	1623 0864 00	• 1	Plate bottom	
			<b>460 V CSA-UL</b>		2030	1623 0865 00	• 1	Support motor	
1015	1503 0786 00	2	Rotation arrow		2040	1080 4120 14	• 1	Motor fan	
1030	0698 5145 03	1	Cable gland		2050	1088 1001 01	• 1	Warning mark	
1040	1079 9697 05	1	Reducer					<b>575V CSA-UL</b>	
1050	1088 0031 02	1	Connector		1015	1503 0786 00	4	Rotation arrow	
1060	0147 1963 08	14	Hexagon bolt		1050	1088 0031 02	1	Connector	
1080	1079 9923 34	1	Label		1060	0147 1963 08	14	Hexagon bolt	
			<b>1623 0863 86</b>		1080	1079 9923 34	2	Label	
2010	1623 0863 00	• 1	Impeller			<b>1623 0863 87</b>	<b>2</b>	<b>Fan radial</b>	
2020	1623 0864 00	• 1	Plate bottom		2010	1623 0863 00	• 1	Impeller	
2030	1623 0865 00	• 1	Support motor		2020	1623 0864 00	• 1	Plate bottom	
2040	1080 4120 13	• 1	Motor fan		2030	1623 0865 00	• 1	Support motor	
2050	1088 1001 01	• 1	Warning mark		2040	1080 4120 14	• 1	Motor fan	
			<b>575 V CSA-UL</b>		2050	1088 1001 01	• 1	Warning mark	
1015	1503 0786 00	2	Rotation arrow					<b>GA 132</b>	
1030	0698 5145 03	1	Cable gland					<b>GA 132+</b>	

# 35



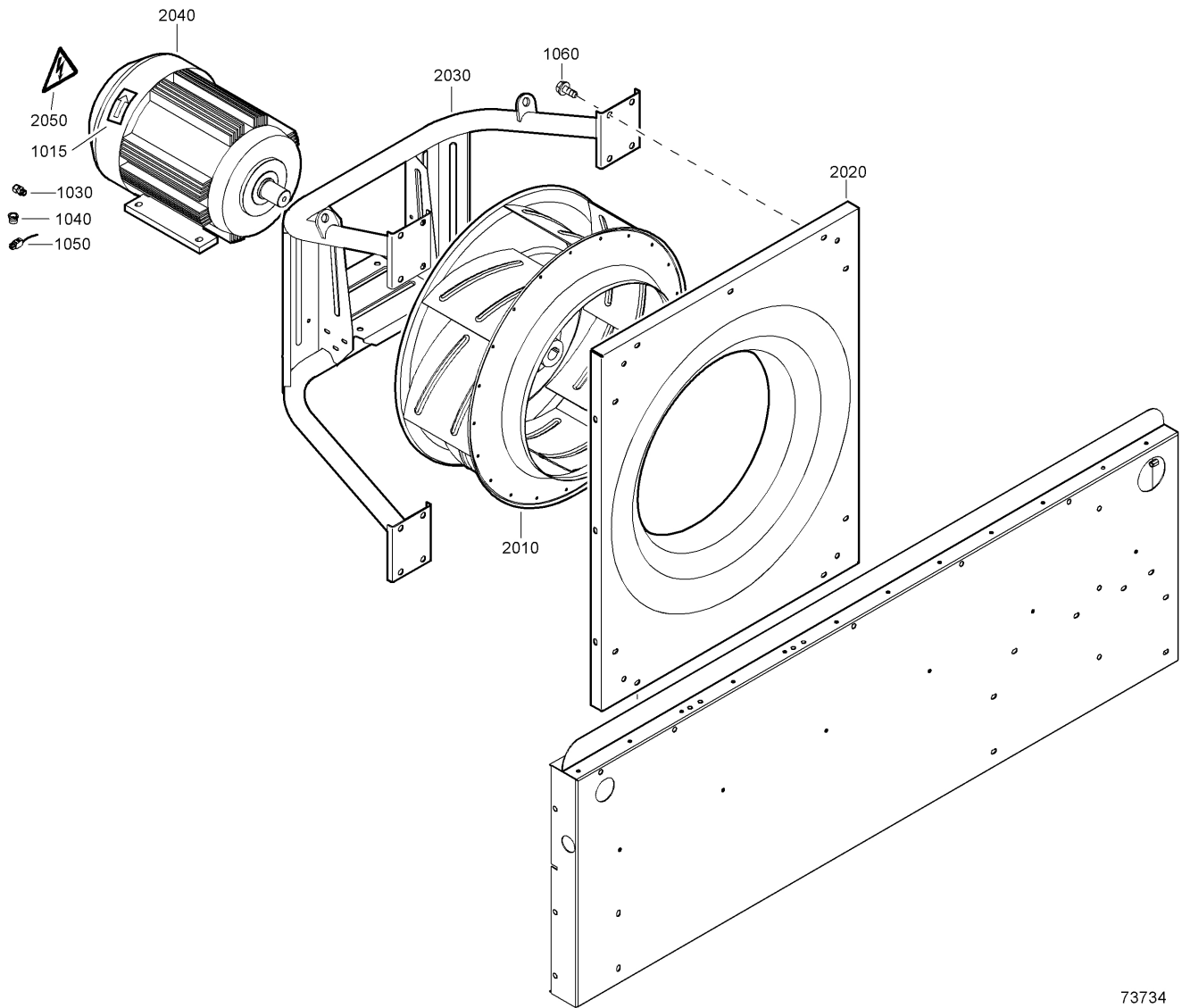
73734

73734

## Cooling system - Aircooled - Fan

Ref.	Partnumber	Qty	Name	Remarks	Ref.	Partnumber	Qty	Name	Remarks
			<b>GA 160</b>		2050	1088 1001 01	• 1	Warning mark	
			<b>GA 160+</b>					<b>GA 132</b>	
			<b>Pack and Full Feature-</b>					<b>GA 132+</b>	
			<b>IT network</b>					<b>GA 160</b>	
			<b>400V IEC</b>					<b>GA 160+</b>	
1015	1503 0786 00	4	Rotation arrow					<b>Pack and Full Feature-</b>	
1050	1088 0031 02	1	Connector					<b>IT network</b>	
1060	0147 1963 08	14	Hexagon bolt					<b>525V IEC</b>	
1080	1079 9923 34	2	Label		1015	1503 0786 00	4	Rotation arrow	
	<b>1623 0863 82</b>	<b>2</b>	<b>Fan radial</b>		1050	1088 0031 02	1	Connector	
2010	1623 0863 00	• 1	Impeller		1060	0147 1963 08	14	Hexagon bolt	
2020	1623 0864 00	• 1	Plate bottom		1080	1079 9923 34	2	Label	
2030	1623 0865 00	• 1	Support motor			<b>1623 0863 83</b>	<b>2</b>	<b>Fan radial</b>	
2040	1080 4120 14	• 1	Motor fan		2010	1623 0863 00	• 1	Impeller	
2050	1088 1001 01	• 1	Warning mark		2020	1623 0864 00	• 1	Plate bottom	
			<b>GA 132</b>		2030	1623 0865 00	• 1	Support motor	
			<b>GA 132+</b>		2040	1080 4120 14	• 1	Motor fan	
			<b>GA 160</b>		2050	1088 1001 01	• 1	Warning mark	
			<b>GA 160+</b>					<b>GA 132</b>	
			<b>Pack and Full Feature-</b>					<b>GA 132+</b>	
			<b>IT network</b>					<b>GA 160</b>	
			<b>440V IEC</b>					<b>GA 160+</b>	
1015	1503 0786 00	4	Rotation arrow					<b>Pack and Full Feature-</b>	
1050	1088 0031 02	1	Connector					<b>IT network</b>	
1060	0147 1963 08	14	Hexagon bolt					<b>460V CSA-UL</b>	
1080	1079 9923 34	2	Label		1015	1503 0786 00	4	Rotation arrow	
	<b>1623 0863 82</b>	<b>2</b>	<b>Fan radial</b>		1050	1088 0031 02	1	Connector	
2010	1623 0863 00	• 1	Impeller		1060	0147 1963 08	14	Hexagon bolt	
2020	1623 0864 00	• 1	Plate bottom		1080	1079 9923 34	2	Label	
2030	1623 0865 00	• 1	Support motor			<b>1623 0863 86</b>	<b>2</b>	<b>Fan radial</b>	
2040	1080 4120 14	• 1	Motor fan		2010	1623 0863 00	• 1	Impeller	
2050	1088 1001 01	• 1	Warning mark		2020	1623 0864 00	• 1	Plate bottom	
			<b>GA 132</b>		2030	1623 0865 00	• 1	Support motor	
			<b>GA 132+</b>		2040	1080 4120 14	• 1	Motor fan	
			<b>GA 160</b>		2050	1088 1001 01	• 1	Warning mark	
			<b>GA 160+</b>					<b>GA 132</b>	
			<b>Pack and Full Feature-</b>					<b>GA 132+</b>	
			<b>IT network</b>					<b>GA 160</b>	
			<b>500V IEC</b>					<b>GA 160+</b>	
1015	1503 0786 00	4	Rotation arrow					<b>Pack and Full Feature-</b>	
1050	1088 0031 02	1	Connector					<b>IT network</b>	
1060	0147 1963 08	14	Hexagon bolt					<b>575V CSA-UL</b>	
1080	1079 9923 34	2	Label		1015	1503 0786 00	4	Rotation arrow	
	<b>1623 0863 83</b>	<b>2</b>	<b>Fan radial</b>		1050	1088 0031 02	1	Connector	
2010	1623 0863 00	• 1	Impeller		1060	0147 1963 08	14	Hexagon bolt	
2020	1623 0864 00	• 1	Plate bottom		1080	1079 9923 34	2	Label	
2030	1623 0865 00	• 1	Support motor			<b>1623 0863 87</b>	<b>2</b>	<b>Fan radial</b>	
2040	1080 4120 14	• 1	Motor fan		2010	1623 0863 00	• 1	Impeller	
2050	1088 1001 01	• 1	Warning mark		2020	1623 0864 00	• 1	Plate bottom	
			<b>GA 132</b>		2030	1623 0865 00	• 1	Support motor	
			<b>GA 132+</b>		2040	1080 4120 14	• 1	Motor fan	
			<b>GA 160</b>		2050	1088 1001 01	• 1	Warning mark	
			<b>GA 160+</b>					<b>GA 90+</b>	
			<b>Pack and Full Feature-</b>					<b>GA 110</b>	
			<b>IT network</b>					<b>GA 110+</b>	
			<b>550V IEC</b>					<b>High ambient condition -</b>	
1015	1503 0786 00	4	Rotation arrow					<b>IT network</b>	
1050	1088 0031 02	1	Connector					<b>Pack 380 V IEC</b>	
1060	0147 1963 08	14	Hexagon bolt					<b>Full feature 380 V IEC</b>	
1080	1079 9923 34	2	Label					<b>Pack 400 V IEC</b>	
	<b>1623 0863 83</b>	<b>2</b>	<b>Fan radial</b>					<b>Full feature 400 V IEC</b>	
2010	1623 0863 00	• 1	Impeller					<b>Pack 440 V IEC</b>	
2020	1623 0864 00	• 1	Plate bottom					<b>Full feature 440 V IEC</b>	
2030	1623 0865 00	• 1	Support motor		1015	1503 0786 00	2	Rotation arrow	
2040	1080 4120 14	• 1	Motor fan		1030	0698 5145 03	1	Cable gland	

# 35



73734

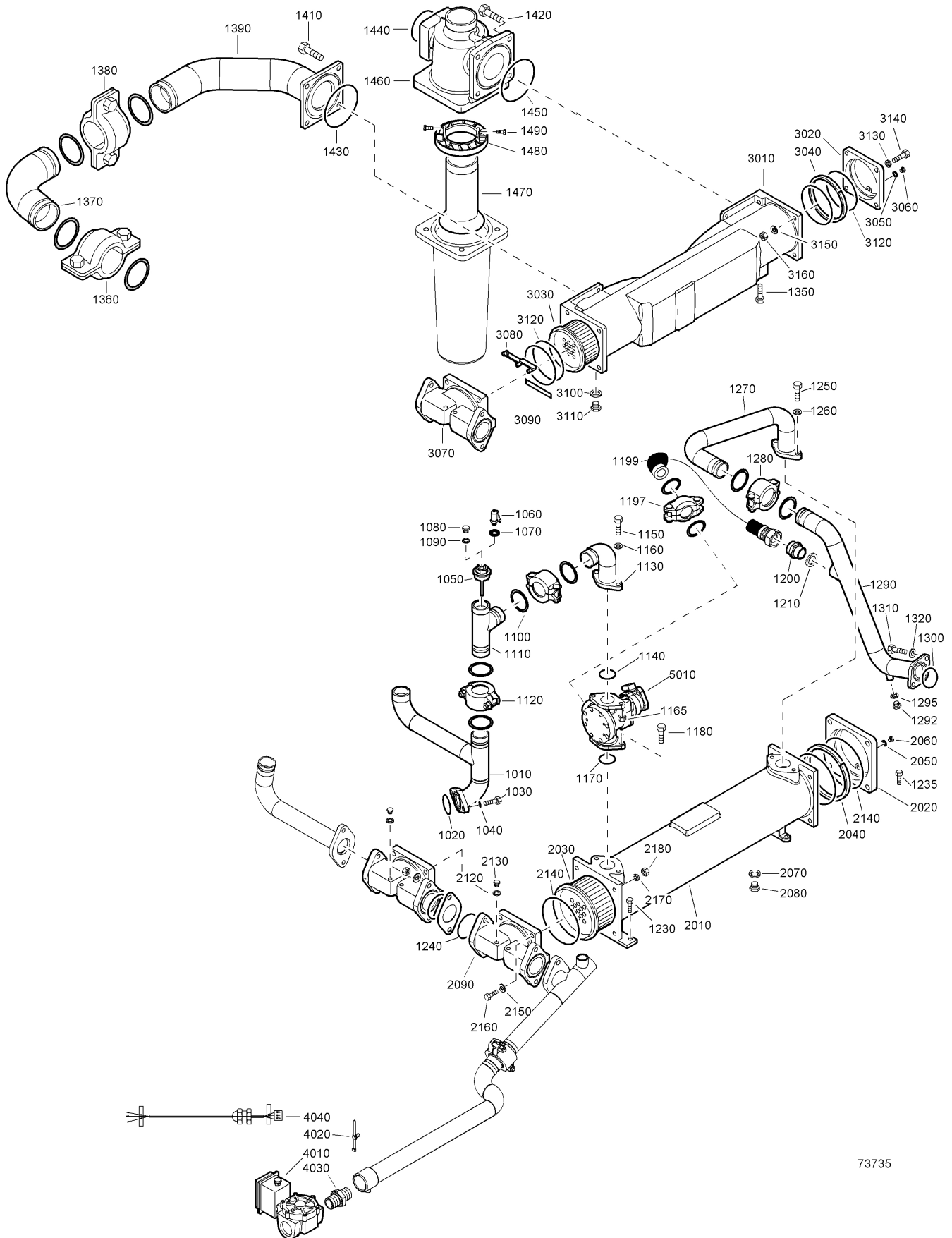
73734

## Cooling system - Aircooled - Fan

35

Ref.	Partnumber	Qty	Name	Remarks	Ref.	Partnumber	Qty	Name	Remarks
1040	1079 9697 05	1	Reducer		2020	1623 0864 00	• 1	Plate bottom	
1050	1088 0031 02	1	Connector		2030	1623 0865 00	• 1	Support motor	
1060	0147 1963 08	14	Hexagon bolt		2040	1080 4120 13	• 1	Motor fan	
	<b>1623 0863 82</b>	<b>1</b>	<b>Fan radial</b>		2050	1088 1001 01	• 1	Warning mark	
2010	1623 0863 00	• 1	Impeller					<b>Pack 575 V CSA-UL</b>	
2020	1623 0864 00	• 1	Plate bottom					<b>Full feature 575 V CSA-UL</b>	
2030	1623 0865 00	• 1	Support motor		1015	1503 0786 00	2	Rotation arrow	
2040	1080 4120 03	• 1	Motor fan		1030	0698 5145 03	1	Cable gland	
2050	1088 1001 01	• 1	Warning mark		1040	1079 9697 05	1	Reducer	
			<b>Pack 500 V IEC</b>		1050	1088 0031 02	1	Connector	
			<b>Full feature 500 V IEC</b>		1060	0147 1963 08	14	Hexagon bolt	
			<b>Pack 525 V IEC</b>		1080	1079 9923 34	1	Label	
			<b>Full feature 525 V IEC</b>			<b>1623 0863 87</b>	<b>1</b>	<b>Fan radial</b>	
			<b>Pack 550 V IEC</b>		2010	1623 0863 00	• 1	Impeller	
			<b>Full feature 550 V IEC</b>		2020	1623 0864 00	• 1	Plate bottom	
1015	1503 0786 00	2	Rotation arrow		2030	1623 0865 00	• 1	Support motor	
1030	0698 5145 03	1	Cable gland		2040	1080 4120 14	• 1	Motor fan	
1040	1079 9697 05	1	Reducer		2050	1088 1001 01	• 1	Warning mark	
1050	1088 0031 02	1	Connector					<b>GA 132</b>	
1060	0147 1963 08	14	Hexagon bolt					<b>GA 132+</b>	
	<b>1623 0863 83</b>	<b>1</b>	<b>Fan radial</b>					<b>GA 160</b>	
2010	1623 0863 00	• 1	Impeller					<b>GA 160+</b>	
2020	1623 0864 00	• 1	Plate bottom					<b>High ambient condition -</b>	
2030	1623 0865 00	• 1	Support motor					<b>IT network</b>	
2040	1080 4120 04	• 1	Motor					<b>Pack 380V IEC</b>	
2050	1088 1001 01	• 1	Warning mark					<b>Full Feature 380V IEC</b>	
			<b>Pack 460 V CSA-UL</b>		1015	1503 0786 00	4	Rotation arrow	
			<b>Full feature 460 V CSA-UL</b>		1050	1088 0031 02	1	Connector	
1015	1503 0786 00	2	Rotation arrow		1060	0147 1963 08	14	Hexagon bolt	
1030	0698 5145 03	1	Cable gland		1080	1079 9923 34	2	Label	
1040	1079 9697 05	1	Reducer			<b>1623 0863 82</b>	<b>2</b>	<b>Fan radial</b>	
1050	1088 0031 02	1	Connector		2010	1623 0863 00	• 1	Impeller	
1060	0147 1963 08	14	Hexagon bolt		2020	1623 0864 00	• 1	Plate bottom	
1080	1079 9923 34	1	Label		2030	1623 0865 00	• 1	Support motor	
	<b>1623 0863 86</b>	<b>1</b>	<b>Fan radial</b>		2040	1080 4120 14	• 1	Motor fan	
2010	1623 0863 00	• 1	Impeller		2050	1088 1001 01	• 1	Warning mark	

# 36



73735

73735

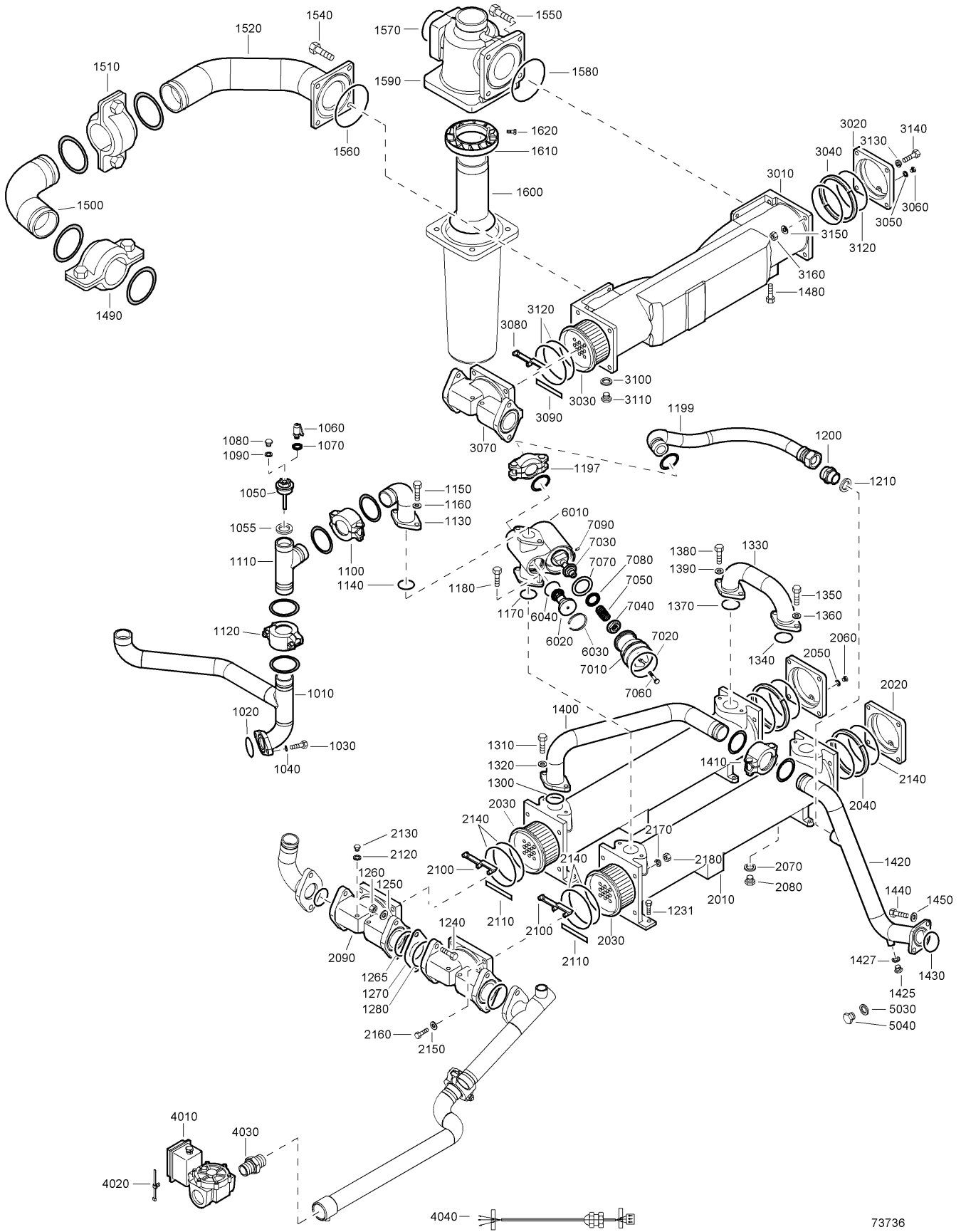


## Cooling system - Cooler - Watercooled GA 90+ to 110+

36

Ref.	Partnumber	Qty	Name	Remarks	Ref.	Partnumber	Qty	Name	Remarks
			<b>GA90+</b>		1470	1623 0762 00	1	Pipe	
			<b>GA 110</b>		1480	1623 0507 00	1	Separator water	
			<b>GA 110+</b>		1490	0147 1246 03	2	Bolt	
1010	1623 1851 00	1	Pipe			<b>1623 0628 08</b>	<b>1</b>	<b>Oil cooler</b>	
1020	0663 2109 68	1	O-ring		2010	1623 0356 00	• 1	Shell cooler	
1030	0147 1365 03	2	Bolt		2020	1623 1723 00	• 1	Cover cooler	
1040	0301 2344 00	2	Washer		2030	1623 1721 00	• 1	Core cooler	
1050	1623 0817 00	1	Plug hexagon		2040	1623 1725 00	• 1	Ring seal	
1055	0661 1000 31	1	Seal washer		2050	0661 1000 24	• 1	Seal washer	
1060	0580 8400 15	1	Connector		2060	0686 4201 03	• 1	Plug	
1070	0661 1000 25	1	Seal washer		2070	0661 1000 27	• 1	Seal washer	
1080	0686 3716 09	1	Plug		2080	0686 3716 02	• 1	Plug	
1090	0661 1000 31	1	Seal washer		2090	1623 1722 00	• 1	Head	
1100	0634 1000 28	1	Victaulic		2120	0653 1062 00	• 2	Flat gasket	
1110	1623 0640 00	1	Pipe oil		2130	0686 3716 01	• 2	Plug	
1120	0634 1000 28	1	Victaulic		2140	1623 1726 00	• 1	O-ring	
1130	1623 0639 00	1	Pipe oil		2150	0301 2358 00	• 8	Washer	
1140	0663 2109 68	1	O-ring		2160	0147 1962 34	• 8	Bolt	
1150	0147 1364 03	2	Bolt		2170	0333 2236 00	• 8	Spring washer	
1160	0301 2344 00	2	Washer		2180	0266 2112 00	• 8	Nut	
1165	0266 2111 00	2	Nut			<b>1623 0633 08</b>	<b>1</b>	<b>After cooler</b>	
1170	0663 2109 68	1	O-ring		3010	1623 0324 00	• 1	Shell cooler	
1180	0147 1363 03	2	Bolt		3020	1614 7861 00	• 1	Return box	
1197	0634 1001 51	1	Coupling		3030	1623 1727 00	• 1	Core cooler	
1199	1623 1574 00	1	Hose assembly		3040	1614 6257 00	• 1	Ring	
1200	2250 4983 00	1	Nipple		3050	0661 1000 24	• 1	Seal washer	
1210	0661 1000 30	1	Seal washer		3060	0686 4201 03	• 1	Plug	
1230	0147 1362 03	4	Bolt		3070	1614 6666 00	• 1	Waterbox	
1235	0147 1363 03	2	Bolt		3080	1614 6258 00	• 1	Division rib	
1240	0663 2109 68	1	O-ring		3090	1614 6259 00	• 1	Rib joint	
1250	0147 1363 03	2	Bolt		3100	0653 1062 00	• 2	Flat gasket	
1260	0301 2344 00	2	Washer		3110	0686 3716 01	• 2	Plug	
1270	1623 0799 00	1	Pipe oil		3120	1614 6256 00	• 4	O-ring	
1280	0634 1000 28	1	Victaulic		3130	0301 2358 00	• 8	Washer	
1290	1623 0610 00	1	Pipe oil		3140	0147 1962 34	• 8	Bolt	
1292	0686 3716 01	1	Plug		3150	0333 2236 00	• 8	Spring washer	
1295	0661 1000 25	1	Seal washer		3160	0266 2112 00	• 8	Nut	
1300	0663 2109 68	1	O-ring					<b>Water shut-off valve</b>	
1310	0147 1363 03	2	Bolt					<b>IEC</b>	
1320	0301 2344 00	2	Washer		4010	1089 0380 19	1	Solenoid valve	
1350	0147 1360 03	4	Bolt		4020	1088 1301 02	10	Cable strip	
1360	0634 1000 29	1	Victaulic coupl		4030	0603 4108 03	1	Hexagon nipple	
1370	1623 0671 00	1	Pipe		4040	1623 1154 00	1	Wire harness	
1380	0634 1000 29	1	Victaulic coupl					<b>CSA-UL</b>	
1390	1623 0672 00	1	Pipe		4010	1089 0380 19	1	Solenoid valve	
1410	0147 1401 03	4	Bolt		4020	1088 1301 02	10	Cable strip	
1420	0147 1401 03	4	Bolt		4030	0603 4108 03	1	Hexagon nipple	
1430	0663 2106 20	1	O-ring		4040	1623 1154 00	1	Wire harness	
1440	0663 2107 50	1	O-ring					<b>Oil bypass valve</b>	
1450	0663 2106 20	1	O-ring		5010	1623 1213 00	1	Valve	
1460	1623 0607 00	1	Pipe bent						

# 37

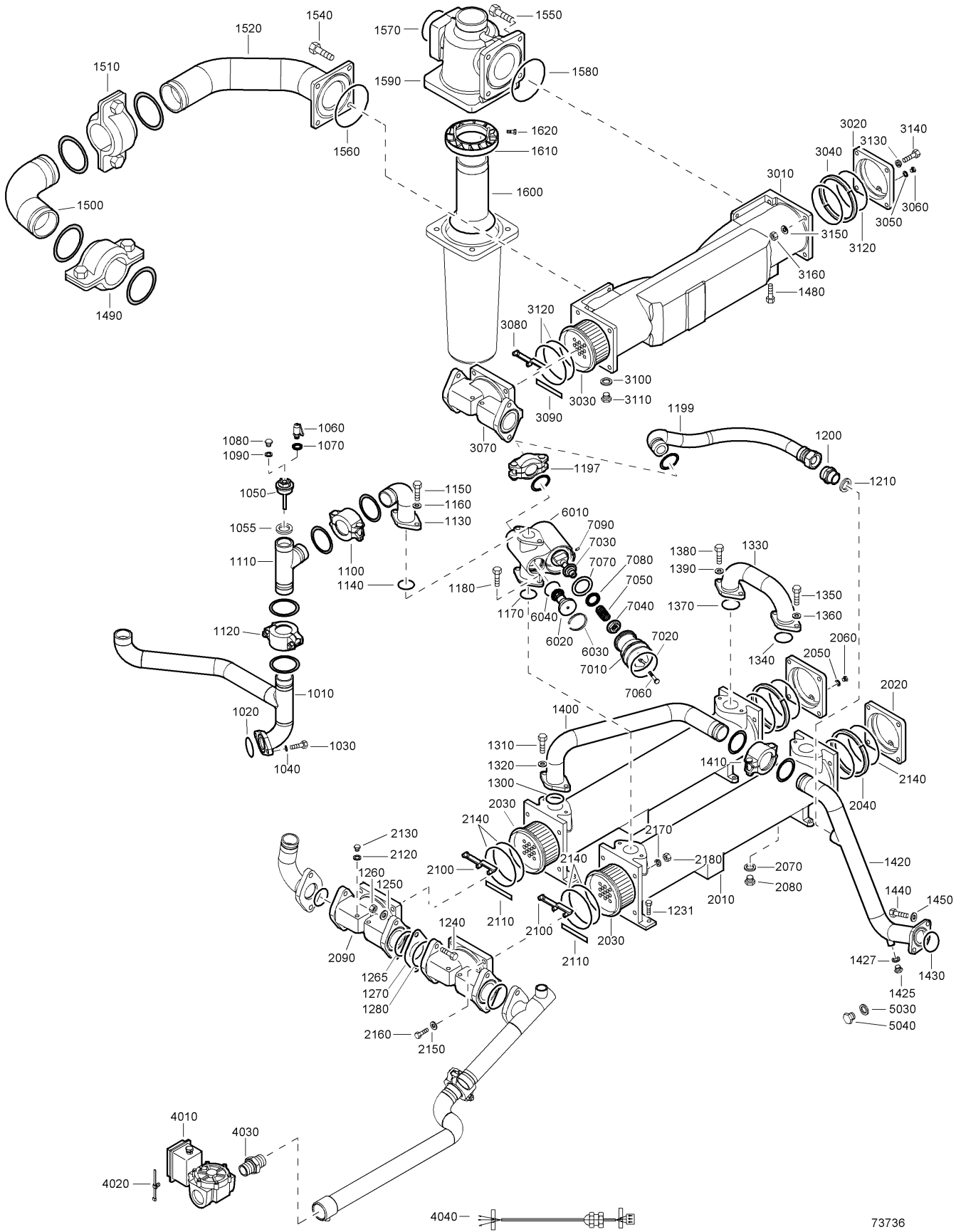


73736

## Cooling system - Cooler - Watercooled GA 132+ to 160+

Ref.	Partnumber	Qty	Name	Remarks	Ref.	Partnumber	Qty	Name	Remarks
			<b>GA 132</b>		1610	1623 0507 00	1	Separator water	
			<b>GA 132+</b>		1620	0147 1246 03	2	Bolt	
			<b>GA 160</b>			<b>1623 0627 08</b>	<b>2</b>	<b>Cooler oil</b>	
			<b>GA 160+</b>		2010	1623 0323 00	• 1	Shell cooler	
1010	1623 1851 00	1	Pipe		2020	1614 7861 00	• 1	Return box	
1020	0663 2109 68	1	O-ring		2030	1623 1728 00	• 1	Core cooler	
1030	0147 1365 03	2	Bolt		2040	1614 6257 00	• 1	Ring	
1040	0301 2344 00	2	Washer		2050	0661 1000 24	• 1	Seal washer	
1050	1623 0817 00	1	Plug hexagon		2060	0686 4201 03	• 1	Plug	
1055	0661 1000 31	1	Seal washer		2070	0661 1000 27	• 1	Seal washer	
1060	0580 8400 15	1	Connector		2080	0686 3716 02	• 1	Plug	
1070	0661 1000 25	1	Seal washer		2090	1614 6666 00	• 1	Waterbox	
1080	0686 3716 09	1	Plug		2100	1614 6258 00	• 1	Division rib	
1090	0661 1000 31	1	Seal washer		2110	1614 6259 00	• 1	Rib joint	
1100	0634 1000 28	1	Victaulic coupling		2120	0653 1062 00	• 2	Flat gasket	
1110	1623 0640 00	1	Pipe		2130	0686 3716 01	• 2	Plug	
1120	0634 1000 28	1	Victaulic coupling		2140	1614 6256 00	• 4	O-ring	
1130	1623 0639 00	1	Pipe		2150	0301 2358 00	• 8	Washer	
1140	0663 2109 68	1	O-ring		2160	0147 1962 34	• 8	Bolt	
1150	0147 1364 03	2	Bolt		2170	0333 2236 00	• 8	Spring washer	
1160	0301 2344 00	2	Washer		2180	0266 2112 00	• 8	Nut	
1165	0266 2111 00	2	Nut			<b>1623 0633 08</b>	<b>1</b>	<b>Cooler after</b>	
1170	0663 2109 68	1	O-ring		3010	1623 0324 00	• 1	Shell cooler	
1180	0147 1363 03	2	Bolt		3020	1614 7861 00	• 1	Return box	
1197	0634 1001 51	1	Coupling		3030	1623 1727 00	• 1	Core cooler	
1199	1623 1574 00	1	Hose assembly		3040	1614 6257 00	• 1	Ring	
1200	2250 4983 00	1	Nipple		3050	0661 1000 24	• 1	Seal washer	
1210	0661 1000 30	1	Seal washer		3060	0686 4201 03	• 1	Plug	
1231	0147 1362 03	8	Bolt		3070	1614 6666 00	• 1	Waterbox	
1240	0147 1406 03	2	Bolt		3080	1614 6258 00	• 1	Division rib	
1250	0301 2358 00	4	Washer		3090	1614 6259 00	• 1	Rib joint	
1260	0266 2112 00	2	Nut		3100	0653 1062 00	• 2	Flat gasket	
1265	0663 2106 12	1	O-ring		3110	0686 3716 01	• 2	Plug	
1270	1614 6632 00	1	Plate		3120	1614 6256 00	• 4	O-ring	
1280	0663 2106 12	1	O-ring		3130	0301 2358 00	• 8	Washer	
1300	0663 2109 68	1	O-ring		3140	0147 1962 34	• 8	Bolt	
1310	0147 1363 03	2	Bolt		3150	0333 2236 00	• 8	Spring washer	
1320	0301 2344 00	2	Washer		3160	0266 2112 00	• 8	Nut	
1330	1623 0603 00	1	Pipe					<b>Water shut-off valve</b>	
1340	0663 2109 68	1	O-ring					<b>IEC</b>	
1350	0147 1363 03	2	Bolt		4010	1089 0380 19	1	Solenoid valve	
1360	0301 2344 00	2	Washer		4020	1088 1301 02	10	Cable strip	
1370	0663 2109 68	1	O-ring		4030	0603 4108 03	1	Hexagon nipple	
1380	0147 1363 03	2	Bolt		4040	1623 1154 00	1	Wire harness	
1390	0301 2344 00	2	Washer					<b>CSA-UL</b>	
1400	1623 0692 00	1	Pipe		4010	1089 0380 19	1	Solenoid valve	
1410	0634 1000 28	1	Victaulic coupling		4020	1088 1301 02	10	Cable strip	
1420	1623 0610 00	1	Pipe		4030	0603 4108 03	1	Hexagon nipple	
1425	0686 3716 01	1	Plug		4040	1623 1154 00	1	Wire harness	
1427	0661 1000 25	1	Seal washer					<b>Valve</b>	
1430	0663 2109 68	1	O-ring					<b>6.9bar(e)</b>	
1440	0147 1363 03	2	Bolt					<b>7.5bar(e)</b>	
1450	0301 2344 00	2	Washer					<b>8.5bar(e)</b>	
1480	0147 1360 03	4	Bolt					<b>8.6bar(e)</b>	
1490	0634 1000 29	1	Victaulic coupling		5030	0686 3716 01	1	Plug	
1500	1623 0671 00	1	Pipe		5040	0661 1000 25	1	Seal washer	
1510	0634 1000 29	1	Victaulic coupling			<b>1623 0777 81</b>	<b>1</b>	<b>Valve</b>	
1520	1623 0672 00	1	Pipe		6010	1623 0777 00	• 1	Housing valve	
1540	0147 1401 03	4	Bolt		6020	1623 0833 00	• 1	Valve thermostatic	
1550	0147 1401 03	4	Bolt		6030	0335 2145 00	• 1	Int.circlip	
1560	0663 2106 20	1	O-ring		6040	0663 2109 68	• 1	O-ring	
1570	0663 2107 50	1	O-ring			<b>1623 2419 81</b>	<b>1</b>	<b>Valve</b>	
1580	0663 2106 20	1	O-ring		7010	1623 2419 01	• 1	Housing valve	
1590	1623 0607 00	1	Pipe bent		7020	0663 2107 92	• 1	O-ring	
1600	1623 0762 00	1	Pipe		7030	1623 2409 01	• 1	Piston	

# 37



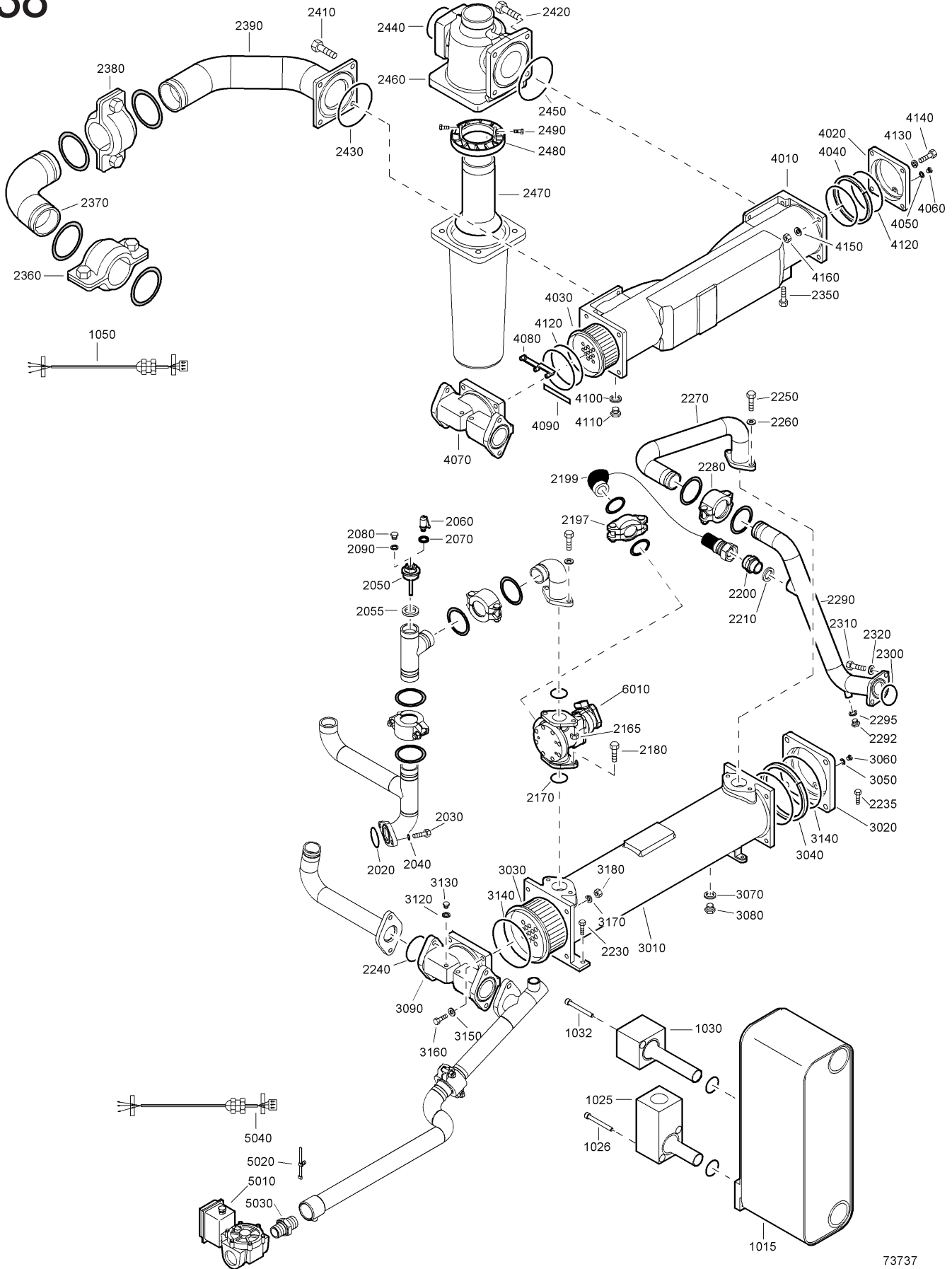
73736

## Cooling system - Cooler - Watercooled GA 132+ to 160+

37

Ref.	Partnumber	Qty	Name	Remarks	Ref.	Partnumber	Qty	Name	Remarks
7040	1623 2447 00	• 1	Nut			<b>1623 2419 81</b>	<b>1</b>	<b>Valve</b>	
7050	1623 0828 00	• 1	Spring		7010	1623 2419 01	• 1	Housing valve	
7060	0211 1244 03	• 3	Cap screw		7020	0663 2107 92	• 1	O-ring	
7070	0663 2108 00	• 1	O-ring		7030	1623 2409 01	• 1	Piston	
7080	0665 0701 45	• 1	Ring seal		7040	1623 2447 00	• 1	Nut	
7090	0192 1204 00	• 1	Set screw		7050	1623 0828 00	• 1	Spring	
			<b>10bar(e)</b>		7060	0211 1244 03	• 3	Cap screw	
			<b>10.4bar(e)</b>		7070	0663 2108 00	• 1	O-ring	
5030	0686 3716 01	1	Plug		7080	0665 0701 45	• 1	Ring seal	
5040	0661 1000 25	1	Seal washer		7090	0192 1204 00	• 1	Set screw	
	<b>1623 0777 82</b>	<b>1</b>	<b>Valve</b>					<b>Oil bypass valve</b>	
6010	1623 0777 00	• 1	Housing valve					<b>13.8bar(e)</b>	
6020	1623 0834 00	• 1	Valve thermostatic					<b>14bar(e)</b>	
6030	0335 2145 00	• 1	Int.circlip		8010	1623 1213 00	1	Valve	
6040	0663 2109 68	• 1	O-ring						

# 38



73737

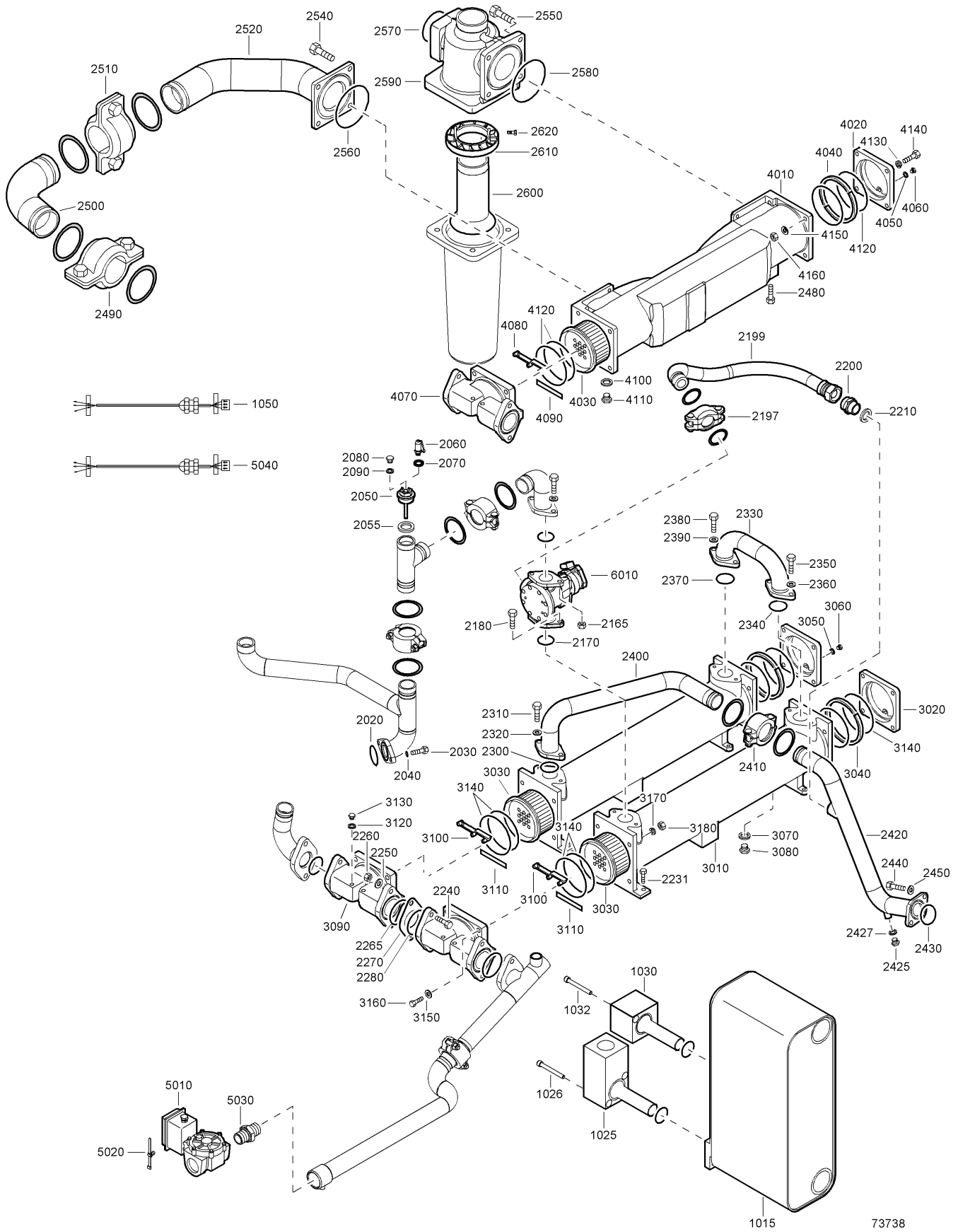
73737

## Cooling system - Cooler - Watercooled - With ENergy REcovery GA 90+ to 110+

38

Ref.	Part number	Qty	Name	Remarks	Ref.	Part number	Qty	Name	Remarks
			<b>GA90+</b>		2480	1623 0507 00	1	Separator water	
			<b>GA 110</b>		2490	0147 1246 03	2	Bolt	
			<b>GA 110+</b>			<b>1623 0628 08</b>	<b>1</b>	<b>Oil cooler</b>	
1015	1623 1404 00	1	Heat exchanger		3010	1623 0356 00	• 1	Shell cooler	
1025	1623 1346 00	1	Block		3020	1623 1723 00	• 1	Cover cooler	
1026	0211 1375 03	1	Bolt		3030	1623 1721 00	• 1	Core cooler	
1030	1623 1347 00	1	Block		3040	1623 1725 00	• 1	Ring seal	
1032	0211 1375 03	1	Bolt		3050	0661 1000 24	• 1	Seal washer	
1050	1623 2791 00	1	Wire harness		3060	0686 4201 03	• 1	Plug	
		<b>1</b>	<b>Cooler</b>		3070	0661 1000 27	• 1	Seal washer	
2020	0663 2109 68	1	O-ring		3080	0686 3716 02	• 1	Plug	
2030	0147 1365 03	2	Bolt		3090	1623 1722 00	• 1	Head	
2040	0301 2344 00	2	Washer		3120	0653 1062 00	• 2	Flat gasket	
2050	1623 0817 00	1	Plug hexagon		3130	0686 3716 01	• 2	Plug	
2055	0661 1000 31	1	Seal washer		3140	1623 1726 00	• 1	O-ring	
2060	0580 8400 15	1	Connector		3150	0301 2358 00	• 8	Washer	
2070	0661 1000 25	1	Seal washer		3160	0147 1962 34	• 8	Bolt	
2080	0686 3716 09	1	Plug		3170	0333 2236 00	• 8	Spring washer	
2090	0661 1000 31	1	Seal washer		3180	0266 2112 00	• 8	Nut	
2165	0266 2111 00	2	Nut			<b>1623 0633 08</b>	<b>1</b>	<b>After cooler</b>	
2170	0663 2109 68	1	O-ring		4010	1623 0324 00	• 1	Shell cooler	
2180	0147 1363 03	2	Bolt		4020	1614 7861 00	• 1	Return box	
2197	0634 1001 51	1	Coupling		4030	1623 1727 00	• 1	Core cooler	
2199	1623 1574 00	1	Hose assembly		4040	1614 6257 00	• 1	Ring	
2200	2250 4983 00	1	Nipple		4050	0661 1000 24	• 1	Seal washer	
2210	0661 1000 30	1	Seal washer		4060	0686 4201 03	• 1	Plug	
2230	0147 1362 03	4	Bolt		4070	1614 6666 00	• 1	Waterbox	
2235	0147 1363 03	2	Bolt		4080	1614 6258 00	• 1	Division rib	
2240	0663 2109 68	1	O-ring		4090	1614 6259 00	• 1	Rib joint	
2250	0147 1363 03	2	Bolt		4100	0653 1062 00	• 2	Flat gasket	
2260	0301 2344 00	2	Washer		4110	0686 3716 01	• 2	Plug	
2270	1623 0799 00	1	Pipe oil		4120	1614 6256 00	• 4	O-ring	
2280	0634 1000 28	1	Victaulic		4130	0301 2358 00	• 8	Washer	
2290	1623 0610 00	1	Pipe oil		4140	0147 1962 34	• 8	Bolt	
2292	0686 3716 01	1	Plug		4150	0333 2236 00	• 8	Spring washer	
2295	0661 1000 25	1	Seal washer		4160	0266 2112 00	• 8	Nut	
2300	0663 2109 68	1	O-ring					<b>Water shut-off valve</b>	
2310	0147 1363 03	2	Bolt					<b>IEC</b>	
2320	0301 2344 00	2	Washer		5010	1089 0380 19	1	Solenoid valve	
2350	0147 1360 03	4	Bolt		5020	1088 1301 02	10	Cable strip	
2360	0634 1000 29	1	Victaulic coupl		5030	0603 4108 03	1	Hexagon nipple	
2370	1623 0671 00	1	Pipe		5040	1623 1154 00	1	Wire harness	
2380	0634 1000 29	1	Victaulic coupl					<b>CSA-UL</b>	
2390	1623 0672 00	1	Pipe		5010	1089 0380 19	1	Solenoid valve	
2410	0147 1402 03	4	Bolt		5020	1088 1301 02	10	Cable strip	
2420	0147 1402 03	4	Bolt		5030	0603 4108 03	1	Hexagon nipple	
2430	0663 2106 20	1	O-ring		5040	1623 1154 00	1	Wire harness	
2440	0663 2107 50	1	O-ring					<b>Oil bypass valve</b>	
2450	0663 2106 20	1	O-ring					<b>13.8bar(e)</b>	
2460	1623 0607 00	1	Pipe bent					<b>14bar(e)</b>	
2470	1623 0762 00	1	Pipe		6010	1623 1213 00	1	Valve	

# 39



73738

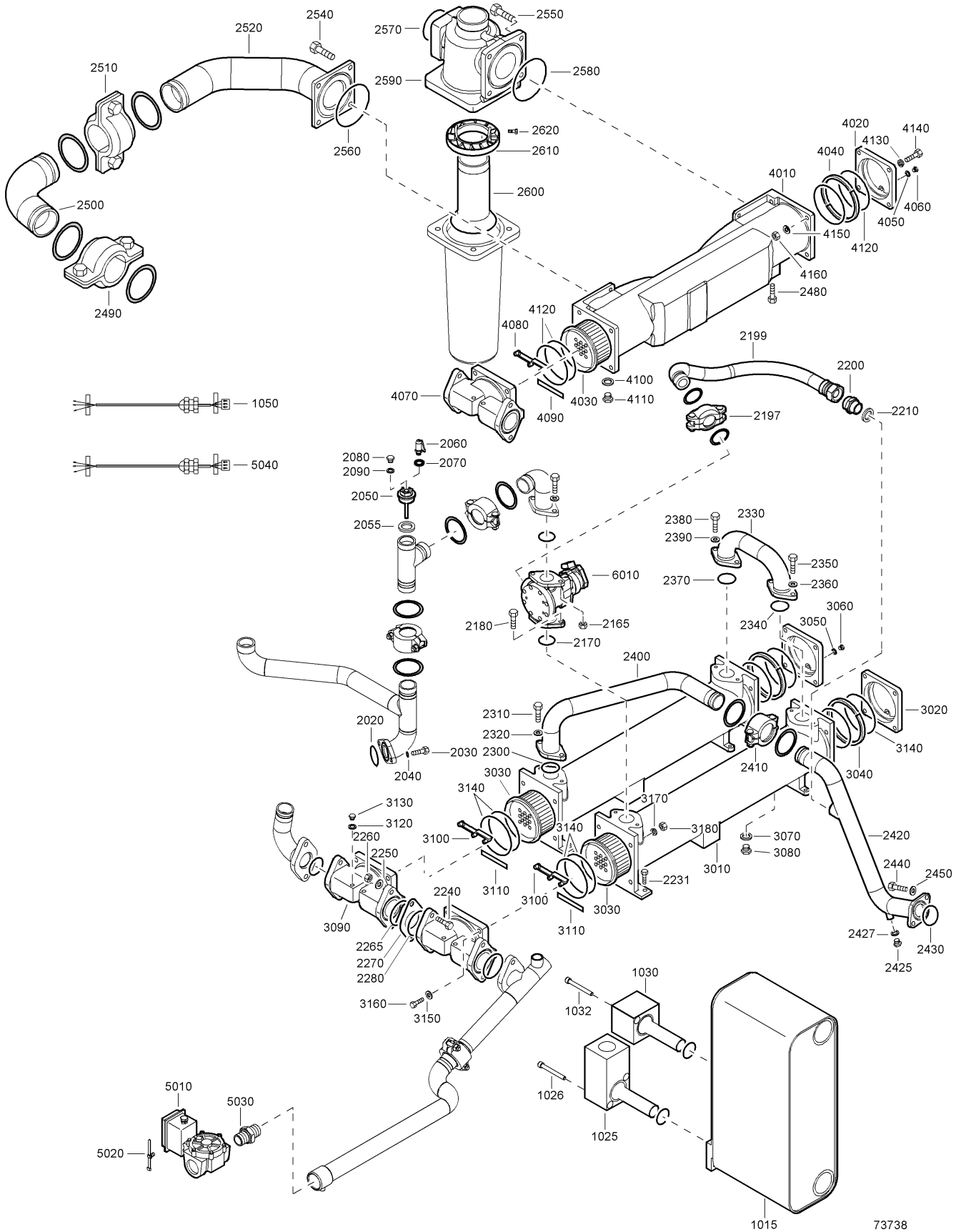


## Cooling system - Cooler - Watercooled - With ENergy REcovery GA 132+ to 160+

39

Ref.	Partnumber	Qty	Name	Remarks	Ref.	Partnumber	Qty	Name	Remarks
			<b>GA 132</b>			<b>1623 0627 08</b>	<b>2</b>	<b>Cooler oil</b>	
			<b>GA 132+</b>						
1015	1623 1404 00	1	Heat exchanger		3010	1623 0323 00	• 1	Shell cooler	
1025	1623 1346 00	1	Block		3020	1614 7861 00	• 1	Return box	
1026	0211 1375 03	1	Bolt		3030	1623 1728 00	• 1	Core cooler	
1030	1623 1347 00	1	Block		3040	1614 6257 00	• 1	Ring	
1032	0211 1375 03	1	Bolt		3050	0661 1000 24	• 1	Seal washer	
1050	1623 2791 00	1	Wire harness		3060	0686 4201 03	• 1	Plug	
			<b>Cooler</b>		3070	0661 1000 27	• 1	Seal washer	
2020	0663 2109 68	1	O-ring		3080	0686 3716 02	• 1	Plug	
2030	0147 1365 03	2	Bolt		3090	1614 6666 00	• 1	Waterbox	
2040	0301 2344 00	2	Washer		3100	1614 6258 00	• 1	Division rib	
2050	1623 0817 00	1	Plug hexagon		3110	1614 6259 00	• 1	Rib joint	
2055	0661 1000 31	1	Seal washer		3120	0653 1062 00	• 2	Flat gasket	
2060	0580 8400 15	1	Connector		3130	0686 3716 01	• 2	Plug	
2070	0661 1000 25	1	Seal washer		3140	1614 6256 00	• 4	O-ring	
2080	0686 3716 09	1	Plug		3150	0301 2358 00	• 8	Washer	
2090	0661 1000 31	1	Seal washer		3160	0147 1962 34	• 8	Bolt	
2165	0266 2111 00	2	Nut		3170	0333 2236 00	• 8	Spring washer	
2170	0663 2109 68	1	O-ring		3180	0266 2112 00	• 8	Nut	
2180	0147 1363 03	2	Bolt					<b>GA 160</b>	
2197	0634 1001 51	1	Coupling					<b>GA 160+</b>	
2199	1623 1574 00	1	Hose assembly		1015	1623 2755 00	1	Heat exchanger	
2200	2250 4983 00	1	Nipple		1025	1623 2779 00	1	Block	
2210	0661 1000 30	1	Seal washer		1030	1623 2780 00	1	Block	
2231	0147 1362 03	8	Bolt		1050	1623 2791 00	1	Wire harness	
2240	0147 1406 03	2	Bolt					<b>Cooler</b>	
2250	0301 2358 00	4	Washer		2020	0663 2109 68	1	O-ring	
2260	0266 2112 00	2	Nut		2030	0147 1365 03	2	Bolt	
2265	0663 2106 12	1	O-ring		2040	0301 2344 00	2	Washer	
2270	1614 6632 00	1	Plate		2050	1623 0817 00	1	Plug hexagon	
2280	0663 2106 12	1	O-ring		2055	0661 1000 31	1	Seal washer	
2300	0663 2109 68	1	O-ring		2060	0580 8400 15	1	Connector	
2310	0147 1363 03	2	Bolt		2070	0661 1000 25	1	Seal washer	
2320	0301 2344 00	2	Washer		2080	0686 3716 09	1	Plug	
2330	1623 0603 00	1	Pipe		2090	0661 1000 31	1	Seal washer	
2340	0663 2109 68	1	O-ring		2165	0266 2111 00	2	Nut	
2350	0147 1363 03	2	Bolt		2170	0663 2109 68	1	O-ring	
2360	0301 2344 00	2	Washer		2180	0147 1363 03	2	Bolt	
2370	0663 2109 68	1	O-ring		2197	0634 1001 51	1	Coupling	
2380	0147 1363 03	2	Bolt		2199	1623 1574 00	1	Hose assembly	
2390	0301 2344 00	2	Washer		2200	2250 4983 00	1	Nipple	
2400	1623 0692 00	1	Pipe		2210	0661 1000 30	1	Seal washer	
2410	0634 1000 28	1	Victaulic coupling		2231	0147 1362 03	8	Bolt	
2420	1623 0610 00	1	Pipe		2240	0147 1406 03	2	Bolt	
2425	0686 3716 01	1	Plug		2250	0301 2358 00	4	Washer	
2427	0661 1000 25	1	Seal washer		2260	0266 2112 00	2	Nut	
2430	0663 2109 68	1	O-ring		2265	0663 2106 12	1	O-ring	
2440	0147 1363 03	2	Bolt		2270	1614 6632 00	1	Plate	
2450	0301 2344 00	2	Washer		2280	0663 2106 12	1	O-ring	
2480	0147 1360 03	4	Bolt		2300	0663 2109 68	1	O-ring	
2490	0634 1000 29	1	Victaulic coupling		2310	0147 1363 03	2	Bolt	
2500	1623 0671 00	1	Pipe		2320	0301 2344 00	2	Washer	
2510	0634 1000 29	1	Victaulic coupling		2330	1623 0603 00	1	Pipe	
2520	1623 0672 00	1	Pipe		2340	0663 2109 68	1	O-ring	
2540	0147 1402 03	4	Bolt		2350	0147 1363 03	2	Bolt	
2550	0147 1402 03	4	Bolt		2380	0301 2344 00	2	Washer	
2560	0663 2106 20	1	O-ring		2390	0663 2109 68	1	O-ring	
2570	0663 2107 50	1	O-ring		2400	1623 0692 00	1	Pipe	
2580	0663 2106 20	1	O-ring		2410	0634 1000 28	1	Victaulic coupling	
2590	1623 0607 00	1	Pipe bent		2420	1623 0610 00	1	Pipe	
2600	1623 0762 00	1	Pipe		2425	0686 3716 01	1	Plug	
2610	1623 0507 00	1	Separator water		2427	0661 1000 25	1	Seal washer	
2620	0147 1246 03	2	Bolt		2430	0663 2109 68	1	O-ring	
					2440	0147 1363 03	2	Bolt	

# 39



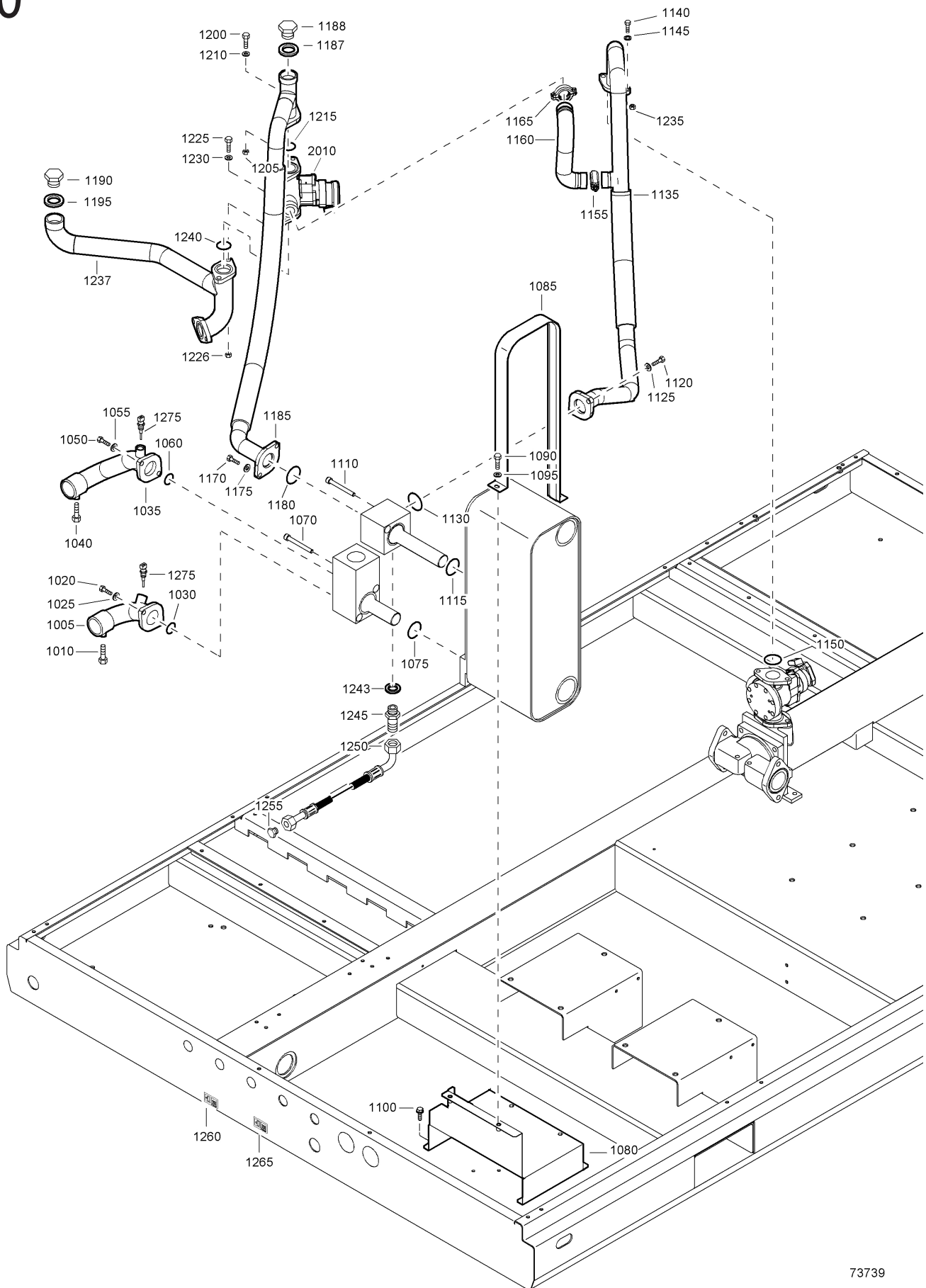
73738

## Cooling system - Cooler - Watercooled - With ENergy REcovery GA 132+ to 160+

39

Ref.	Partnumber	Qty	Name	Remarks	Ref.	Partnumber	Qty	Name	Remarks
2450	0301 2344 00	2	Washer		3180	0266 2112 00	• 8	Nut	
2480	0147 1360 03	4	Bolt			<b>1623 0633 08</b>	<b>1</b>	<b>Cooler after</b>	
2490	0634 1000 29	1	Victaulic coupling		4010	1623 0324 00	• 1	Shell cooler	
2500	1623 0671 00	1	Pipe		4020	1614 7861 00	• 1	Return box	
2510	0634 1000 29	1	Victaulic coupling		4030	1623 1727 00	• 1	Core cooler	
2520	1623 0672 00	1	Pipe		4040	1614 6257 00	• 1	Ring	
2540	0147 1402 03	4	Bolt		4050	0661 1000 24	• 1	Seal washer	
2550	0147 1402 03	4	Bolt		4060	0686 4201 03	• 1	Plug	
2560	0663 2106 20	1	O-ring		4070	1614 6666 00	• 1	Waterbox	
2570	0663 2107 50	1	O-ring		4080	1614 6258 00	• 1	Division rib	
2580	0663 2106 20	1	O-ring		4090	1614 6259 00	• 1	Rib joint	
2590	1623 0607 00	1	Pipe bent		4100	0653 1062 00	• 2	Flat gasket	
2600	1623 0762 00	1	Pipe		4110	0686 3716 01	• 2	Plug	
2610	1623 0507 00	1	Separator water		4120	1614 6256 00	• 4	O-ring	
2620	0147 1246 03	2	Bolt		4130	0301 2358 00	• 8	Washer	
	<b>1623 0627 08</b>	<b>2</b>	<b>Cooler oil</b>		4140	0147 1962 34	• 8	Bolt	
3010	1623 0323 00	• 1	Shell cooler		4150	0333 2236 00	• 8	Spring washer	
3020	1614 7861 00	• 1	Return box		4160	0266 2112 00	• 8	Nut	
3030	1623 1728 00	• 1	Core cooler					<b>Water shut-off valve</b>	
3040	1614 6257 00	• 1	Ring					<b>IEC</b>	
3050	0661 1000 24	• 1	Seal washer		5010	1089 0380 19	1	Solenoid valve	
3060	0686 4201 03	• 1	Plug		5020	1088 1301 02	10	Cable strip	
3070	0661 1000 27	• 1	Seal washer		5030	0603 4108 03	1	Hexagon nipple	
3080	0686 3716 02	• 1	Plug		5040	1623 1154 00	1	Wire harness	
3090	1614 6666 00	• 1	Waterbox					<b>CSA-UL</b>	
3100	1614 6258 00	• 1	Division rib		5010	1089 0380 19	1	Solenoid valve	
3110	1614 6259 00	• 1	Rib joint		5020	1088 1301 02	10	Cable strip	
3120	0653 1062 00	• 2	Flat gasket		5030	0603 4108 03	1	Hexagon nipple	
3130	0686 3716 01	• 2	Plug		5040	1623 1154 00	1	Wire harness	
3140	1614 6256 00	• 4	O-ring					<b>Oil bypass valve</b>	
3150	0301 2358 00	• 8	Washer					<b>13.8bar(e)</b>	
3160	0147 1962 34	• 8	Bolt					<b>14bar(e)</b>	
3170	0333 2236 00	• 8	Spring washer		6010	1623 1213 00	1	Valve	

# 40



73739

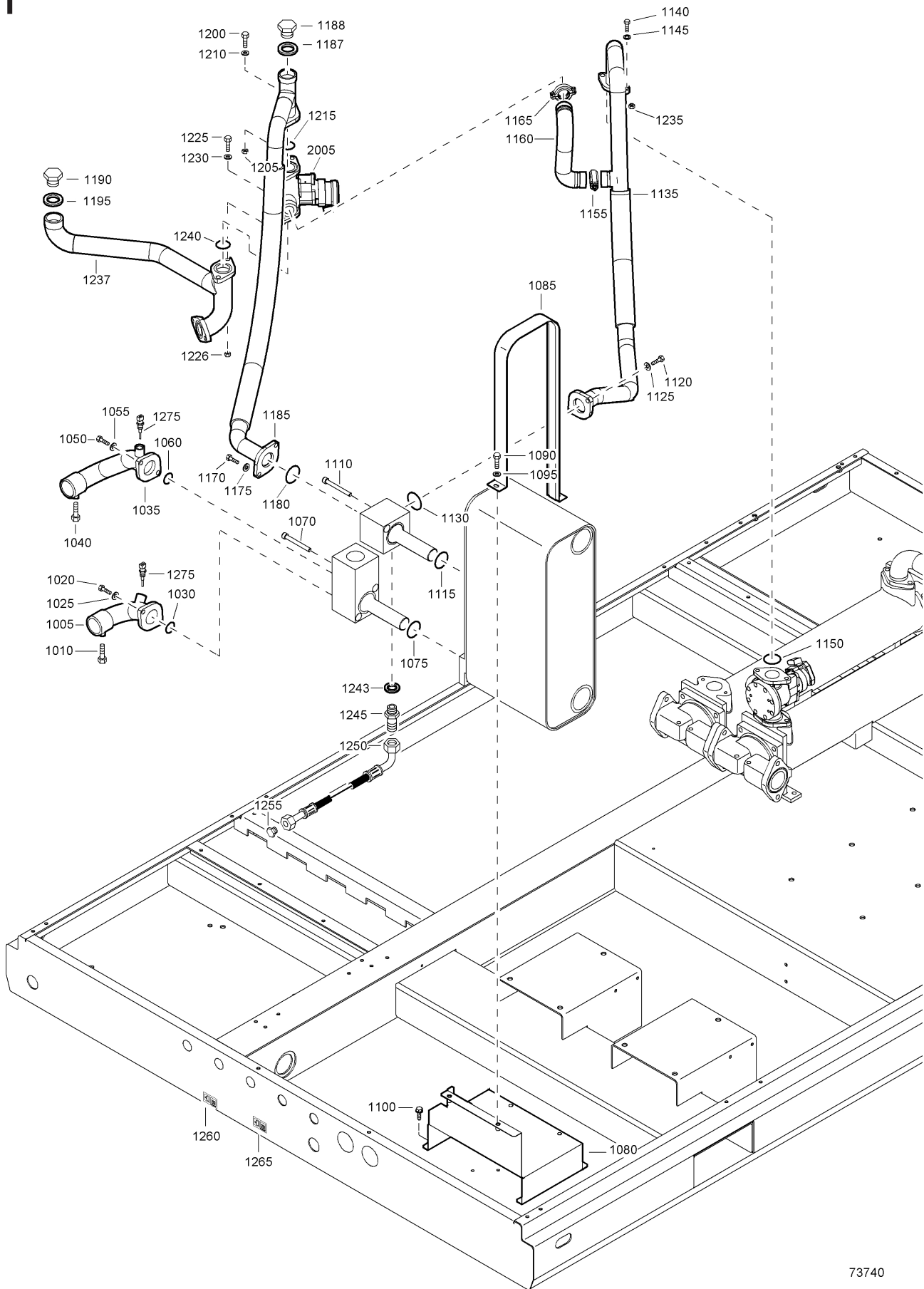
73739

## Cooling system - Piping - Watercooled - With Energy REcovery GA 90+ to 110+

40

Ref.	Partnumber	Qty	Name	Remarks	Ref.	Partnumber	Qty	Name	Remarks
			<b>GA 90+</b>		1160	1623 1586 00	1	Pipe	
			<b>GA 110</b>		1165	0634 1001 51	1	Coupling	
			<b>GA 110+</b>		1170	0147 1362 03	2	Bolt	
1005	1623 2823 00	1	Pipe		1175	0301 2344 00	2	Washer	
1010	0147 1322 03	1	Bolt		1180	0663 2107 77	1	O-ring	
1020	0147 1362 03	2	Bolt		1185	1623 1286 00	1	Hose assembly	
1025	0301 2344 00	2	Washer		1187	0661 1000 25	1	Seal washer	
1030	0663 2107 77	1	O-ring		1188	0686 3716 01	1	Plug	
1035	1623 2824 00	1	Pipe		1190	2250 2528 00	1	Plug screw	
1040	0147 1322 03	1	Bolt		1195	0661 1000 31	1	Seal washer	
1045	0686 9170 00	1	Protecting plug		1200	0147 1364 03	2	Bolt	
1050	0147 1362 03	2	Bolt		1205	0266 2111 00	2	Nut	
1055	0301 2344 00	2	Washer		1210	0301 2344 00	2	Washer	
1060	0663 2107 77	1	O-ring		1215	0663 2109 68	1	O-ring	
1070	0211 1375 03	2	Screw		1225	0147 1364 03	2	Bolt	
1075	0663 2107 77	1	O-ring		1226	0266 2111 00	2	Nut	
1080	1623 1245 00	1	Support		1230	0301 2344 00	2	Washer	
1085	1623 1774 00	2	Bracket		1235	0266 2111 00	2	Nut	
1090	0147 1326 03	4	Bolt		1237	1623 2065 00	1	Pipe	
1095	0301 2335 00	4	Washer		1240	0663 2109 68	1	O-ring	
1100	1619 2766 00	5	Bolt		1243	0661 1000 27	1	Seal washer	
1110	0211 1375 03	2	Screw		1245	1079 5840 15	1	Nipple	
1115	0663 2107 77	1	O-ring		1250	0574 8235 11	1	Hose assembly	
1120	0147 1362 03	2	Bolt		1255	1614 9252 00	1	Plug	
1125	0301 2344 00	2	Washer		1260	1079 9913 69	1	Inform.label	
1130	0663 2107 77	1	O-ring		1265	1079 9913 79	1	Inform.label	
1135	1623 1287 00	1	Hose assembly		1275	1089 0574 70	2	Sensor	
1140	0147 1364 03	2	Bolt					<b>Oil bypass valve -</b>	
1145	0301 2344 00	4	Washer					<b>ENREC cooler</b>	
1150	0663 2109 68	1	O-ring		2010	1623 1213 00	1	Valve	
1155	0634 1001 51	1	Coupling						

# 41



73740

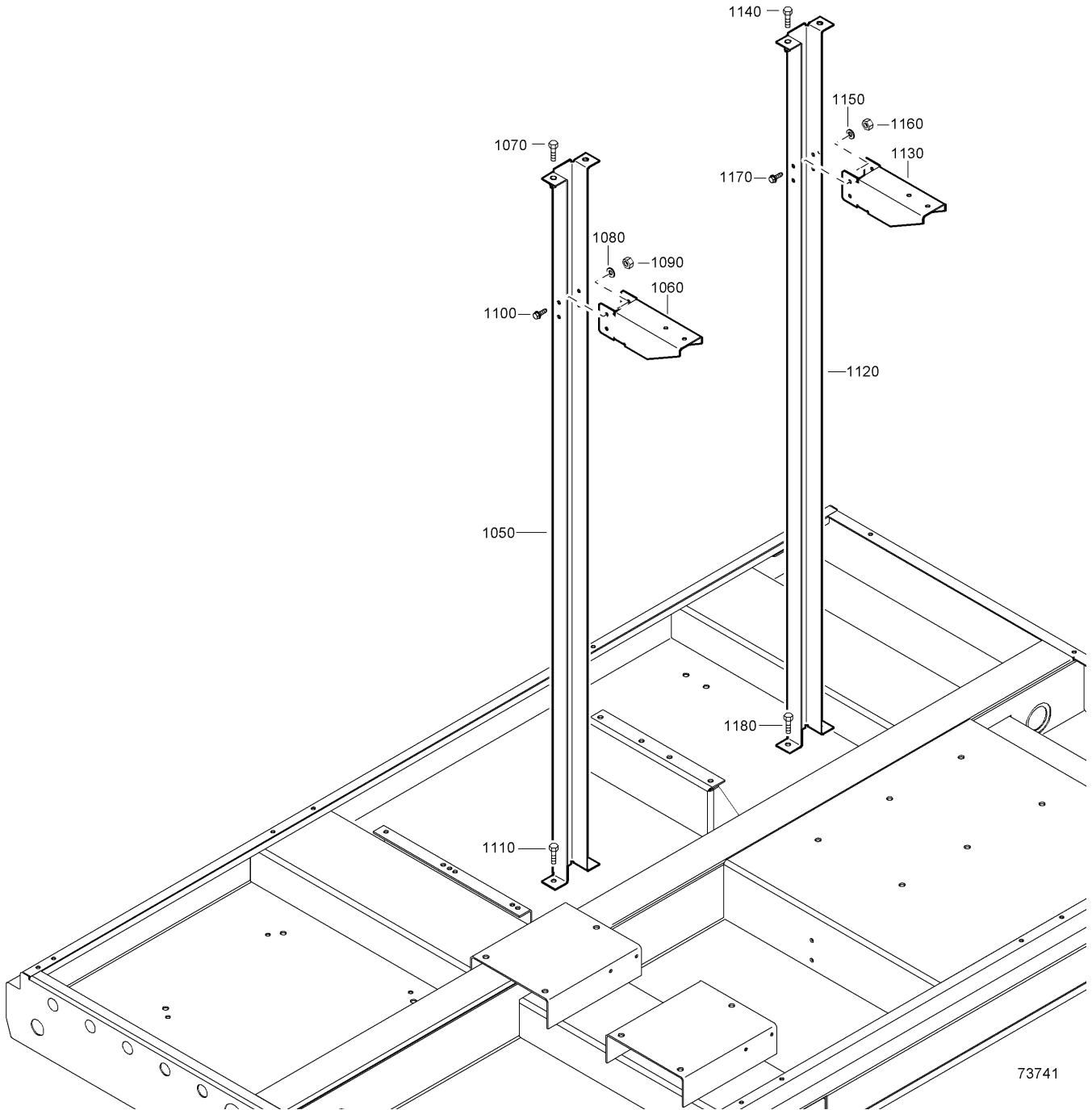
73740

**Cooling system - Piping - Watercooled - With Energy REcovery GA  
132+ to 160+**

41

Ref.	Partnumber	Qty	Name	Remarks	Ref.	Partnumber	Qty	Name	Remarks
			<b>GA 132</b>					<b>GA 160</b>	
			<b>GA 132+</b>					<b>GA 160+</b>	
1005	1623 2823 00	1	Pipe		1005	1623 2823 00	1	Pipe	
1010	0147 1322 03	1	Bolt		1010	0147 1322 03	1	Bolt	
1015	0686 9170 00	1	Protecting plug		1015	0686 9170 00	1	Protecting plug	
1020	0147 1362 03	2	Bolt		1020	0147 1362 03	2	Bolt	
1025	0301 2344 00	2	Washer		1025	0301 2344 00	2	Washer	
1030	0663 2107 77	1	O-ring		1030	0663 2107 77	1	O-ring	
1035	1623 2824 00	1	Pipe		1035	1623 2824 00	1	Pipe	
1040	0147 1322 03	1	Bolt		1040	0147 1322 03	1	Bolt	
1045	0686 9170 00	1	Protecting plug		1045	0686 9170 00	1	Protecting plug	
1050	0147 1362 03	2	Bolt		1050	0147 1362 03	2	Bolt	
1055	0301 2344 00	2	Washer		1055	0301 2344 00	2	Washer	
1060	0663 2107 77	1	O-ring		1060	0663 2107 77	1	O-ring	
1070	0211 1375 03	2	Screw		1070	0211 1375 03	2	Screw	
1075	0663 2107 77	1	O-ring		1075	0663 2107 77	1	O-ring	
1080	1623 1245 00	1	Support		1080	1623 1245 00	1	Support	
1085	1623 1774 00	2	Bracket		1085	1623 1774 00	2	Bracket -	
1090	0147 1326 03	4	Bolt		1090	0147 1326 03	4	Bolt	
1095	0301 2335 00	4	Plain washer		1095	0301 2335 00	4	Plain washer	
1100	1619 2766 00	5	Bolt		1100	1619 2766 00	5	Bolt	
1110	0211 1375 03	2	Screw		1110	0211 1375 03	2	Screw	
1115	0663 2107 77	1	O-ring		1115	0663 2107 77	1	O-ring	
1120	0147 1362 03	2	Bolt		1120	0147 1362 03	2	Bolt	
1125	0301 2344 00	2	Washer		1125	0301 2344 00	2	Washer	
1130	0663 2107 77	1	O-ring		1130	0663 2107 77	1	O-ring	
1135	1623 1287 00	1	Hose assembly		1135	1623 1287 00	1	Hose assembly	
1140	0147 1364 03	2	Bolt		1140	0147 1364 03	2	Bolt	
1145	0301 2344 00	4	Washer		1145	0301 2344 00	4	Washer	
1150	0663 2109 68	1	O-ring		1150	0663 2109 68	1	O-ring	
1155	0634 1001 51	1	Coupling		1155	0634 1001 51	1	Coupling	
1160	1623 1586 00	1	Pipe		1160	1623 1586 00	1	Pipe	
1165	0634 1001 51	1	Coupling		1165	0634 1001 51	1	Coupling	
1170	0147 1362 03	2	Bolt		1170	0147 1362 03	2	Bolt	
1175	0301 2344 00	2	Washer		1175	0301 2344 00	2	Washer	
1180	0663 2107 77	1	O-ring		1180	0663 2107 77	1	O-ring	
1185	1623 1286 00	1	Hose assembly		1185	1623 1286 00	1	Hose assembly	
1187	0661 1000 25	1	Seal washer		1187	0661 1000 25	1	Seal washer	
1188	0686 3716 01	1	Plug		1188	0686 3716 01	1	Plug	
1190	2250 2528 00	1	Plug screw		1190	2250 2528 00	1	Plug screw	
1195	0661 1000 31	1	Seal washer		1195	0661 1000 31	1	Seal washer	
1200	0147 1364 03	2	Bolt		1200	0147 1364 03	2	Bolt	
1205	0266 2111 00	2	Nut		1205	0266 2111 00	2	Nut	
1210	0301 2344 00	2	Washer		1210	0301 2344 00	2	Washer	
1215	0663 2109 68	1	O-ring		1215	0663 2109 68	1	O-ring	
1225	0147 1364 03	2	Bolt		1225	0147 1364 03	2	Bolt	
1226	0266 2111 00	2	Nut		1226	0266 2111 00	2	Nut	
1230	0301 2344 00	2	Washer		1230	0301 2344 00	2	Washer	
1235	0266 2111 00	2	Nut		1235	0266 2111 00	2	Nut	
1237	1623 2065 00	1	Pipe		1237	1623 2065 00	1	Pipe	
1240	0663 2109 68	1	O-ring		1240	0663 2109 68	1	O-ring	
1243	0661 1000 27	1	Seal washer		1243	0661 1000 27	1	Seal washer	
1245	1079 5840 15	1	Nipple		1245	1079 5840 15	1	Nipple	
1250	0574 8235 11	1	Hose assembly		1250	0574 8235 11	1	Hose assembly	
1255	1614 9252 00	1	Plug		1255	1614 9252 00	1	Plug	
1260	1079 9913 69	1	Inform.label		1260	1079 9913 69	1	Inform.label	
1265	1079 9913 79	1	Inform.label		1265	1079 9913 79	1	Inform.label	
1275	1089 0574 70	2	Sensor		1275	1089 0574 70	2	Sensor	
								<b>Oil bypass valve - ENREC cooler Valve</b>	
					2005	1623 1213 00	1		

# 42

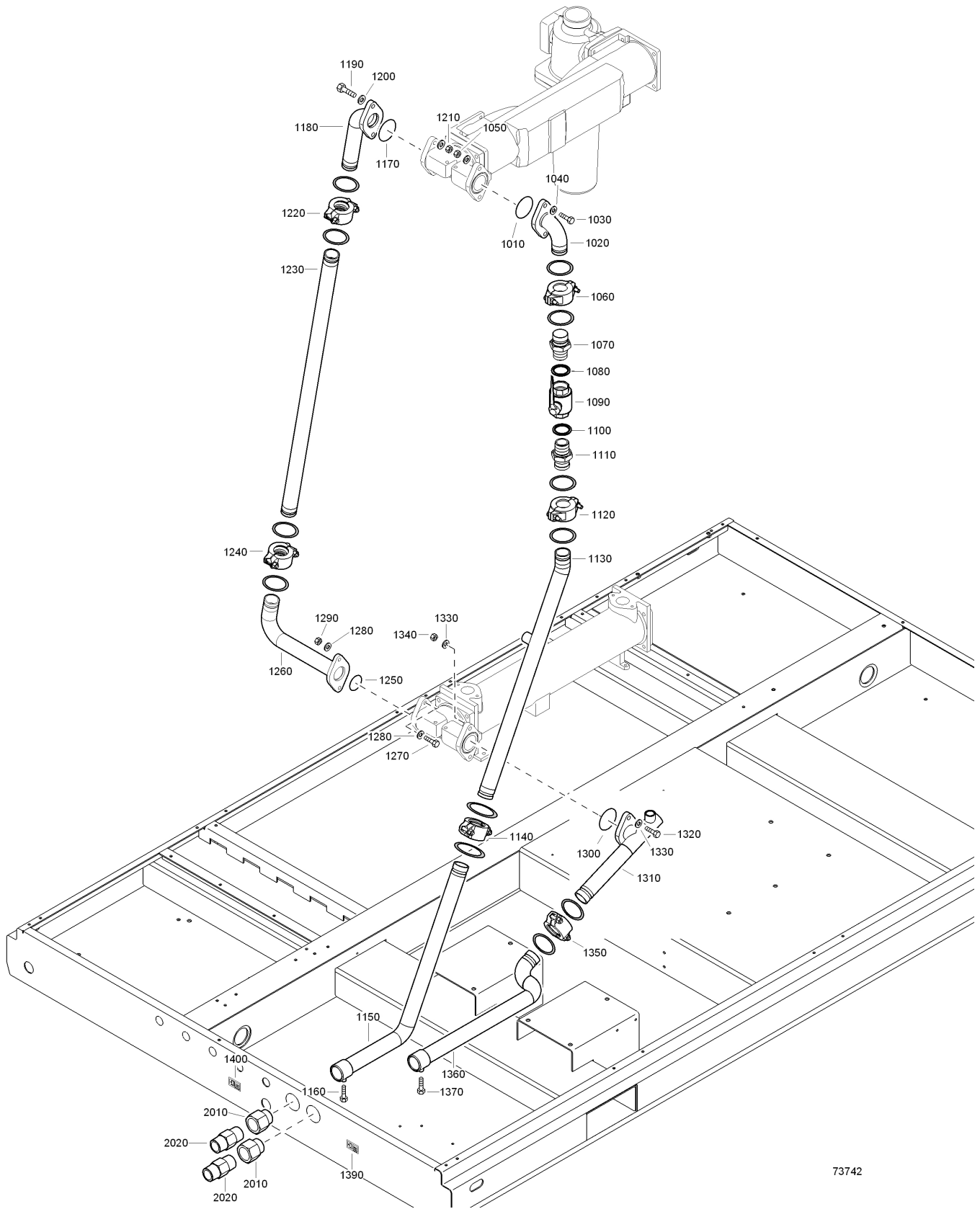




**Cooling system - Baffles - Watercooled****42**

<b>Ref.</b>	<b>Partnumber</b>	<b>Qty</b>	<b>Name</b>	<b>Remarks</b>	<b>Ref.</b>	<b>Partnumber</b>	<b>Qty</b>	<b>Name</b>	<b>Remarks</b>
1050	1623 0779 00	1	Support		1120	1623 0779 00	1	Support	
1060	1623 1702 00	1	Support		1130	1623 1702 00	1	Support	
1070	0147 1325 03	4	Bolt		1140	0147 1325 03	4	Bolt	
1080	0301 2335 00	4	Washer		1150	0301 2335 00	4	Washer	
1090	0266 2110 00	4	Hexagon nut		1160	0266 2110 00	4	Hexagon nut	
1100	0147 1963 08	2	Hexagon bolt		1170	0147 1963 08	2	Hexagon bolt	
1110	0147 1362 03	2	Bolt		1180	0147 1362 03	2	Bolt	

# 43



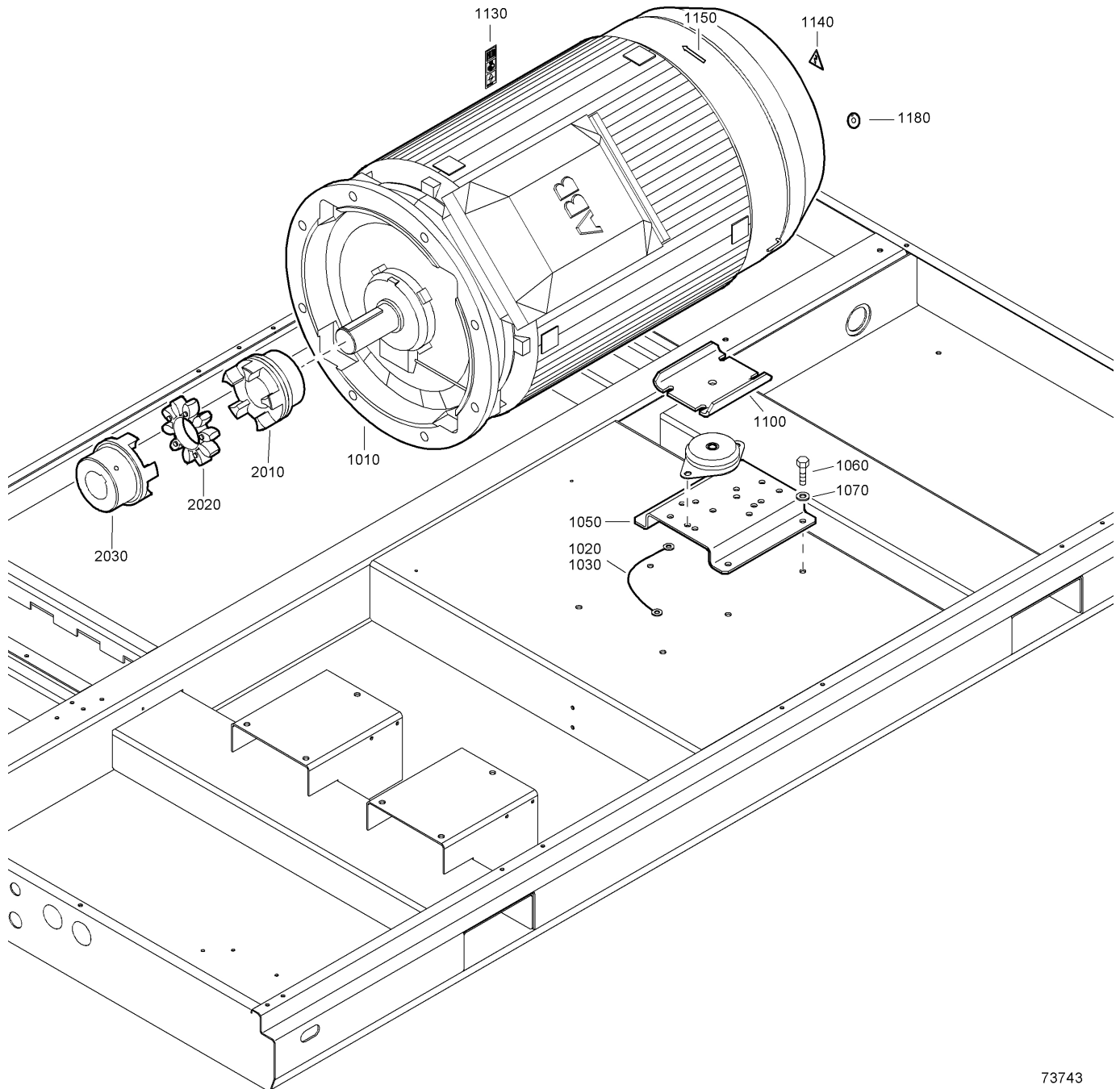
73742

73742

## Water system - Watercooled

Ref.	Part number	Qty	Name	Remarks	Ref.	Part number	Qty	Name	Remarks
			<b>GA 90+</b>					<b>GA 160</b>	
			<b>GA 110</b>					<b>GA 160+</b>	
			<b>GA 110+</b>						
1010	0663 2106 12	1	O-ring		1010	0663 2106 12	1	O-ring	
1020	1623 0594 00	1	Pipe		1020	1623 0594 00	1	Pipe	
1030	0147 1405 03	2	Bolt		1030	0147 1405 03	2	Bolt	
1040	0301 2358 00	4	Washer		1040	0301 2358 00	4	Washer	
1050	0266 2112 00	2	Nut		1050	0266 2112 00	2	Nut	
1060	0634 1000 27	1	Victaulic coupl		1060	0634 1000 27	1	Victaulic coupling	
1070	1621 0392 00	1	Nipple		1070	1621 0392 00	1	Nipple	
1080	0661 1000 32	1	Seal washer		1080	0661 1000 32	1	Seal washer	
1090	1619 6153 08	1	Ball valve		1090	1619 6153 08	1	Ball valve	
1100	0661 1000 32	1	Seal washer		1100	0661 1000 32	1	Seal washer	
1110	1621 0392 00	1	Nipple		1110	1621 0392 00	1	Nipple	
1120	0634 1000 27	1	Victaulic coupl		1120	0634 1000 27	1	Victaulic coupling	
1130	1623 1297 00	1	Pipe		1130	1623 1297 00	1	Pipe	
1140	0634 1000 27	1	Victaulic coupl		1140	0634 1000 27	1	Victaulic coupling	
1150	1623 1296 00	1	Pipe		1150	1623 1296 00	1	Pipe	
1160	0147 1322 03	1	Bolt		1160	0147 1322 03	1	Bolt	
1170	0663 2106 12	1	O-ring		1170	0663 2106 12	1	O-ring	
1180	1623 0597 00	1	Pipe		1180	1623 0597 00	1	Pipe	
1190	0147 1405 03	2	Bolt		1190	0147 1405 03	2	Bolt	
1200	0301 2358 00	4	Washer		1200	0301 2358 00	4	Washer	
1210	0266 2112 00	2	Nut		1210	0266 2112 00	2	Nut	
1220	0634 1000 27	1	Victaulic coupl		1220	0634 1000 27	1	Victaulic coupling	
1230	1623 0595 00	1	Pipe		1230	1623 0595 00	1	Pipe	
1240	0634 1000 27	1	Victaulic coupl		1240	0634 1000 27	1	Victaulic coupling	
1250	0663 2106 12	1	O-ring		1250	0663 2106 12	1	O-ring	
1260	1623 0657 00	1	Pipe		1260	1623 0598 00	1	Pipe	
1270	0147 1405 03	2	Bolt		1270	0147 1405 03	2	Bolt	
1280	0301 2358 00	4	Washer		1280	0301 2358 00	4	Washer	
1290	0266 2112 00	2	Nut		1290	0266 2112 00	2	Nut	
1300	0663 2106 12	1	O-ring		1300	0663 2106 12	1	O-ring	
1310	1623 0605 00	1	Pipe		1310	1623 0605 00	1	Pipe	
1320	0147 1406 03	2	Bolt		1320	0147 1406 03	2	Bolt	
1330	0301 2344 00	4	Washer		1330	0301 2358 00	4	Washer	
1340	0266 2111 00	2	Nut		1340	0266 2112 00	2	Nut	
1350	0634 1000 27	1	Victaulic coupl		1350	0634 1000 27	1	Victaulic coupling	
1360	1623 0606 00	1	Pipe		1360	1623 0606 00	1	Pipe	
1370	0147 1322 03	1	Bolt		1370	0147 1322 03	1	Bolt	
1390	1079 9913 79	1	Inform.label		1390	1079 9913 79	1	Inform.label	
1400	1079 9913 69	1	Inform.label		1400	1079 9913 69	1	Inform.label	
			<b>GA 132</b>					<b>Adapter NPT</b>	
			<b>GA 132+</b>		2010	0605 8350 26	2	Bushing	
					2020	0603 4150 14	2	Hexagon nipple	

# 44



73743

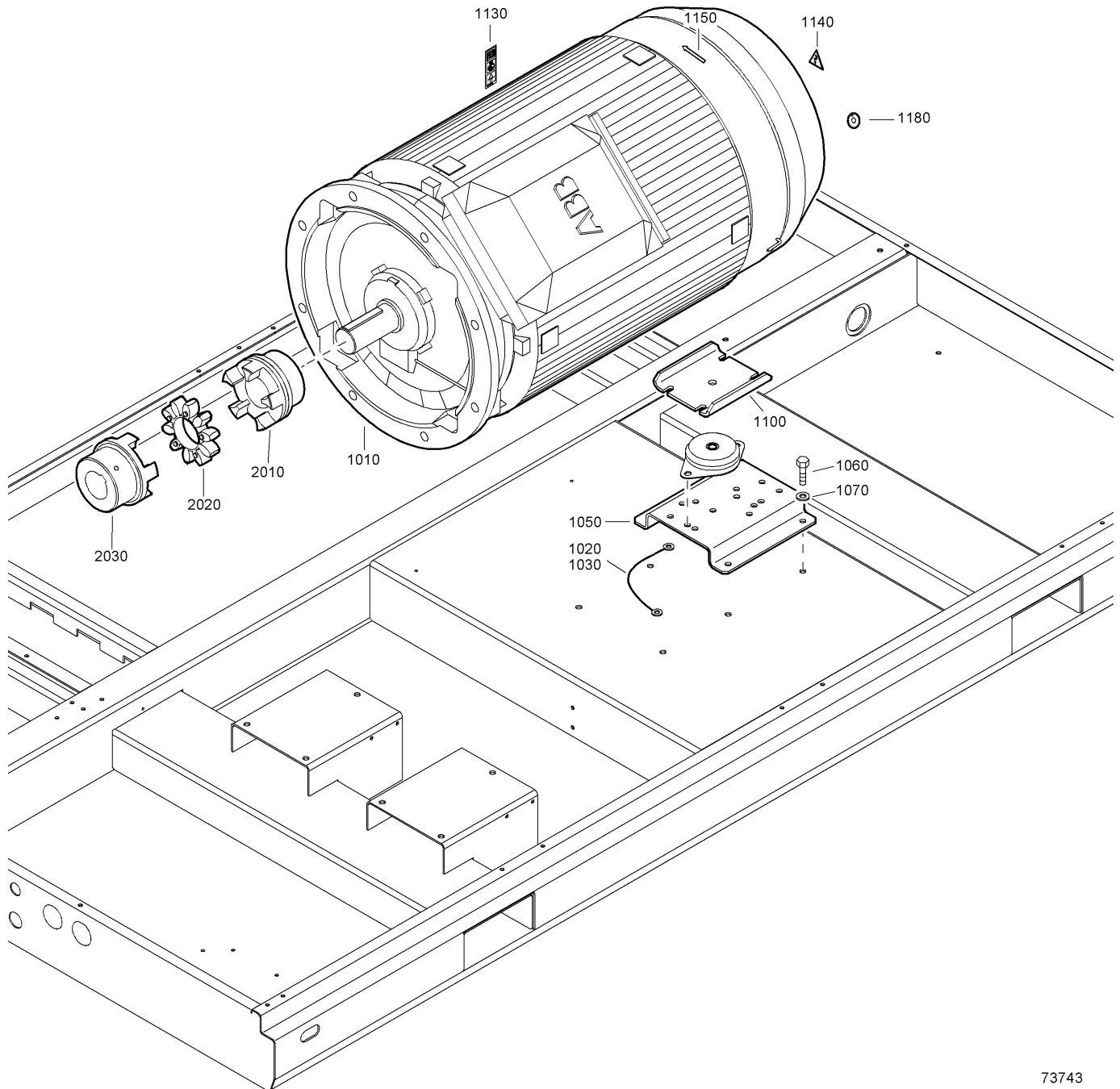
73743

## Motor and coupling

44

Ref.	Partnumber	Qty	Name	Remarks	Ref.	Partnumber	Qty	Name	Remarks
			<b>GA 90+</b>				<b>1</b>	<b>Coupling</b>	
			<b>380 V IEC 50 Hz</b>		2010	1623 0377 00	1	Coupling elem.	
1010	1080 4323 01	1	Motor		2020	1623 0378 00	1	Absorber	
1020	0694 5281 09	2	Cable lug		2030	1623 0379 01	1	Coupling drive	
1030	0694 5281 21	6	Cable lug					<b>460 V CSA-UL 60 Hz</b>	
1050	1623 0454 00	1	Support motor		1010	1080 4146 01	1	Motor	
1060	0147 1401 03	4	Bolt		1020	0694 5280 45	2	Cable lug	
1070	0301 2358 00	4	Washer		1030	0694 5280 44	6	Cable lug	
1100	1621 6963 00	1	Support		1050	1623 0521 00	1	Support motor	
1130	1079 9901 29	1	Label		1060	0147 1401 03	4	Bolt	
1140	1088 1001 04	1	Warning mark		1070	0301 2358 00	4	Washer	
1150	1503 0786 00	1	Rotation arrow		1100	1621 6963 00	1	Support	
1180	1621 0478 00	1	Label		1130	1079 9901 29	1	Label	
		<b>1</b>	<b>Coupling</b>		1140	1088 1001 04	1	Warning mark	
2010	1623 0377 00	1	Coupling elem.		1150	1503 0786 00	1	Rotation arrow	
2020	1623 0378 00	1	Absorber		1180	1621 0478 00	1	Label	
2030	1623 0379 01	1	Coupling drive				<b>1</b>	<b>Coupling</b>	
			<b>400 V IEC 50 Hz</b>		2010	1623 0377 00	1	Coupling elem.	
			<b>440 V IEC 60 Hz</b>		2020	1623 0378 00	1	Absorber	
1010	1080 4323 02	1	Motor		2030	1623 0379 00	1	Coupling drive	
1020	0694 5281 09	2	Cable lug					<b>575 V CSA-UL 60 Hz</b>	
1030	0694 5281 21	6	Cable lug		1010	1080 4146 02	1	Motor	
1050	1623 0454 00	1	Support motor		1020	0694 5280 45	2	Cable lug	
1060	0147 1401 03	4	Bolt		1030	0694 5280 44	6	Cable lug	
1070	0301 2358 00	4	Washer		1050	1623 0521 00	1	Support motor	
1100	1621 6963 00	1	Support		1060	0147 1401 03	4	Bolt	
1130	1079 9901 29	1	Label		1070	0301 2358 00	4	Washer	
1140	1088 1001 04	1	Warning mark		1100	1621 6963 00	1	Support	
1150	1503 0786 00	1	Rotation arrow		1130	1079 9901 29	1	Label	
1180	1621 0478 00	1	Label		1140	1088 1001 04	1	Warning mark	
		<b>1</b>	<b>Coupling</b>		1150	1503 0786 00	1	Rotation arrow	
2010	1623 0377 00	1	Coupling elem.		1180	1621 0478 00	1	Label	
2020	1623 0378 00	1	Absorber				<b>1</b>	<b>Coupling</b>	
2030	1623 0379 01	1	Coupling drive		2010	1623 0377 00	1	Coupling elem.	
			<b>500 V IEC 50 Hz</b>		2020	1623 0378 00	1	Absorber	
			<b>525 V IEC 50 Hz</b>		2030	1623 0379 00	1	Coupling drive	
			<b>550 V IEC 50 Hz</b>					<b>GA 90+</b>	
1010	1080 4323 03	1	Motor					<b>GA 110</b>	
1020	0694 5281 09	2	Cable lug					<b>GA 110+</b>	
1030	0694 5281 21	6	Cable lug					<b>Oversized motor</b>	
1050	1623 0454 00	1	Support motor					<b>380 V IEC 50 Hz</b>	
1060	0147 1401 03	4	Bolt		1010	1080 4323 06	1	Motor	
1070	0301 2358 00	4	Washer		1020	0694 5281 09	2	Cable lug	
1100	1621 6963 00	1	Support		1030	0694 5281 21	6	Cable lug	
1130	1079 9901 29	1	Label		1050	1623 0454 00	1	Support motor	
1140	1088 1001 04	1	Warning mark		1060	0147 1401 03	4	Bolt	
1150	1503 0786 00	1	Rotation arrow		1070	0301 2358 00	4	Washer	
1180	1621 0478 00	1	Label		1100	1621 6963 00	1	Support	
		<b>1</b>	<b>Coupling</b>		1130	1079 9901 29	1	Label	
2010	1623 0377 00	1	Coupling elem.		1140	1088 1001 04	1	Warning mark	
2020	1623 0378 00	1	Absorber		1150	1503 0786 00	1	Rotation arrow	
2030	1623 0379 01	1	Coupling drive		1180	1621 0478 00	1	Label	
			<b>380 V IEC 60 Hz</b>				<b>1</b>	<b>Coupling</b>	
1010	1080 4323 04	1	Motor		2010	1623 0377 00	1	Coupling elem.	
1020	0694 5281 09	2	Cable lug		2020	1623 0378 00	1	Absorber	
1030	0694 5281 21	6	Cable lug		2030	1623 0379 01	1	Coupling drive	
1050	1623 0454 00	1	Support motor					<b>400 V IEC 50 Hz</b>	
1060	0147 1401 03	4	Bolt					<b>440 V IEC 60 Hz</b>	
1070	0301 2358 00	4	Washer		1010	1080 4323 07	1	Motor	
1100	1621 6963 00	1	Support		1020	0694 5281 09	2	Cable lug	
1130	1079 9901 29	1	Label		1030	0694 5281 21	6	Cable lug	
1140	1088 1001 04	1	Warning mark		1050	1623 0454 00	1	Support motor	
1150	1503 0786 00	1	Rotation arrow		1060	0147 1401 03	4	Bolt	
1180	1621 0478 00	1	Label		1070	0301 2358 00	4	Washer	

# 44



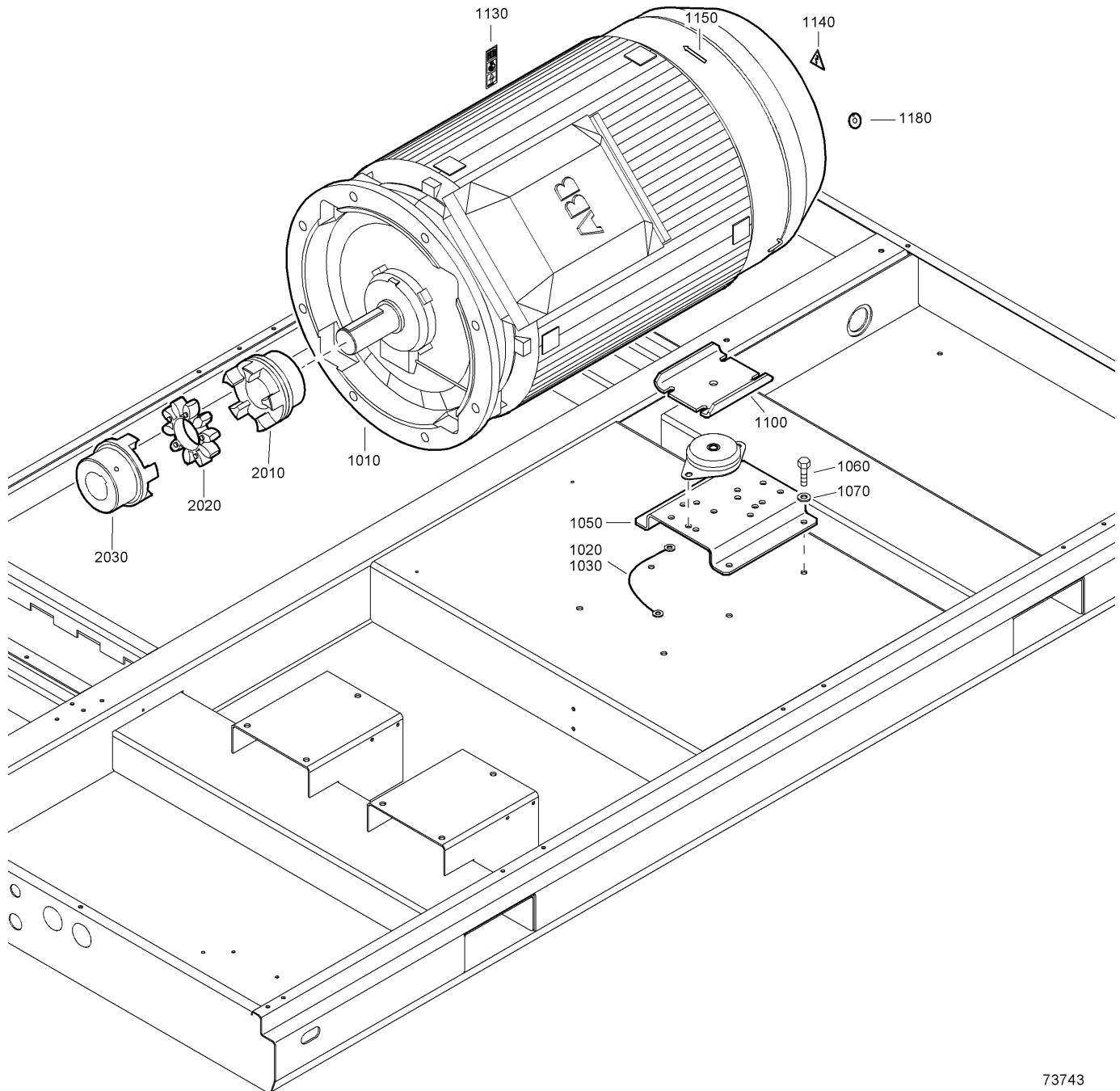
73743

73743

## Motor and coupling

Ref.	Partnumber	Qty	Name	Remarks	Ref.	Partnumber	Qty	Name	Remarks
1100	1621 6963 00	1	Support		1070	0301 2358 00	4	Washer	
1130	1079 9901 29	1	Label		1100	1621 6963 00	1	Support	
1140	1088 1001 04	1	Warning mark		1130	1079 9901 29	1	Label	
1150	1503 0786 00	1	Rotation arrow		1140	1088 1001 04	1	Warning mark	
1180	1621 0478 00	1	Label		1150	1503 0786 00	1	Rotation arrow	
		<b>1</b>	<b>Coupling</b>		1180	1621 0478 00	1	Label	
2010	1623 0377 00	1	Coupling elem.				<b>1</b>	<b>Coupling</b>	
2020	1623 0378 00	1	Absorber		2010	1623 0377 00	1	Coupling elem.	
2030	1623 0379 01	1	Coupling drive		2020	1623 0378 00	1	Absorber	
			<b>500 V IEC 50 Hz</b>		2030	1623 0379 00	1	Coupling drive	
			<b>525 V IEC 50 Hz</b>					<b>GA 132</b>	
			<b>550 V IEC 50 Hz</b>					<b>380V IEC 50Hz</b>	
1010	1080 4323 08	1	Motor		1010	1080 4358 01	1	Motor	
1020	0694 5281 09	2	Cable lug		1020	0694 5281 13	2	Cable lug	
1030	0694 5281 21	6	Cable lug		1030	0694 5281 24	6	Cable lug	
1050	1623 0454 00	1	Support motor		1050	1623 0454 00	1	Support	
1060	0147 1401 03	4	Bolt		1060	0147 1401 03	4	Bolt	
1070	0301 2358 00	4	Washer		1070	0301 2358 00	4	Washer	
1100	1621 6963 00	1	Support		1100	1621 6963 00	1	Support	
1130	1079 9901 29	1	Label		1150	1079 9901 29	1	Label	
1140	1088 1001 04	1	Warning mark		1160	1088 1001 04	1	Warning mark	
1150	1503 0786 00	1	Rotation arrow		1175	1503 0786 00	1	Rotation arrow	
1180	1621 0478 00	1	Label		1180	1621 0478 00	1	Label	
		<b>1</b>	<b>Coupling</b>				<b>1</b>	<b>Coupling</b>	
2010	1623 0377 00	1	Coupling elem.		2010	1623 0377 00	1	Coupling element	
2020	1623 0378 00	1	Absorber		2020	1623 0378 00	1	Absorber	
2030	1623 0379 01	1	Coupling drive		2030	1623 0379 02	1	Coupling drive	
			<b>380 V IEC 60 Hz</b>					<b>400V IEC 50Hz</b>	
1010	1080 4323 09	1	Motor		1010	1080 4358 01	1	Motor	
1020	0694 5281 09	2	Cable lug		1020	0694 5281 13	2	Cable lug	
1030	0694 5281 21	6	Cable lug		1030	0694 5281 24	6	Cable lug	
1050	1623 0454 00	1	Support motor		1050	1623 0454 00	1	Support	
1060	0147 1401 03	4	Bolt		1060	0147 1401 03	4	Bolt	
1070	0301 2358 00	4	Washer		1070	0301 2358 00	4	Washer	
1100	1621 6963 00	1	Support		1100	1621 6963 00	1	Support	
1130	1079 9901 29	1	Label		1150	1079 9901 29	1	Label	
1140	1088 1001 04	1	Warning mark		1160	1088 1001 04	1	Warning mark	
1150	1503 0786 00	1	Rotation arrow		1175	1503 0786 00	1	Rotation arrow	
1180	1621 0478 00	1	Label		1180	1621 0478 00	1	Label	
		<b>1</b>	<b>Coupling</b>				<b>1</b>	<b>Coupling</b>	
2010	1623 0377 00	1	Coupling elem.		2010	1623 0377 00	1	Coupling element	
2020	1623 0378 00	1	Absorber		2020	1623 0378 00	1	Absorber	
2030	1623 0379 01	1	Coupling drive		2030	1623 0379 02	1	Coupling drive	
			<b>460 V CSA-UL 60 Hz</b>					<b>500V IEC 50Hz</b>	
1010	1080 4147 01	1	Motor		1010	1080 4358 02	1	Motor	
1020	0694 5281 13	2	Cable lug		1020	0694 5281 13	2	Cable lug	
1030	0694 5281 21	6	Cable lug		1030	0694 5281 24	6	Cable lug	
1050	1623 0521 00	1	Support motor		1050	1623 0454 00	1	Support	
1060	0147 1401 03	4	Bolt		1060	0147 1401 03	4	Bolt	
1070	0301 2358 00	4	Washer		1070	0301 2358 00	4	Washer	
1100	1621 6963 00	1	Support		1100	1621 6963 00	1	Support	
1130	1079 9901 29	1	Label		1150	1079 9901 29	1	Label	
1140	1088 1001 04	1	Warning mark		1160	1088 1001 04	1	Warning mark	
1150	1503 0786 00	1	Rotation arrow		1175	1503 0786 00	1	Rotation arrow	
1180	1621 0478 00	1	Label		1180	1621 0478 00	1	Label	
		<b>1</b>	<b>Coupling</b>				<b>1</b>	<b>Coupling</b>	
2010	1623 0377 00	1	Coupling elem.		2010	1623 0377 00	1	Coupling element	
2020	1623 0378 00	1	Absorber		2020	1623 0378 00	1	Absorber	
2030	1623 0379 00	1	Coupling drive		2030	1623 0379 02	1	Coupling drive	
			<b>575 V CSA-UL 60 Hz</b>					<b>550V IEC 50Hz</b>	
1010	1080 4147 02	1	Motor		1010	1080 4358 02	1	Motor	
1020	0694 5280 45	2	Cable lug		1020	0694 5281 13	2	Cable lug	
1030	0694 5280 44	6	Cable lug		1030	0694 5281 24	6	Cable lug	
1050	1623 0521 00	1	Support motor		1050	1623 0454 00	1	Support	
1060	0147 1401 03	4	Bolt		1060	0147 1401 03	4	Bolt	

# 44



73743

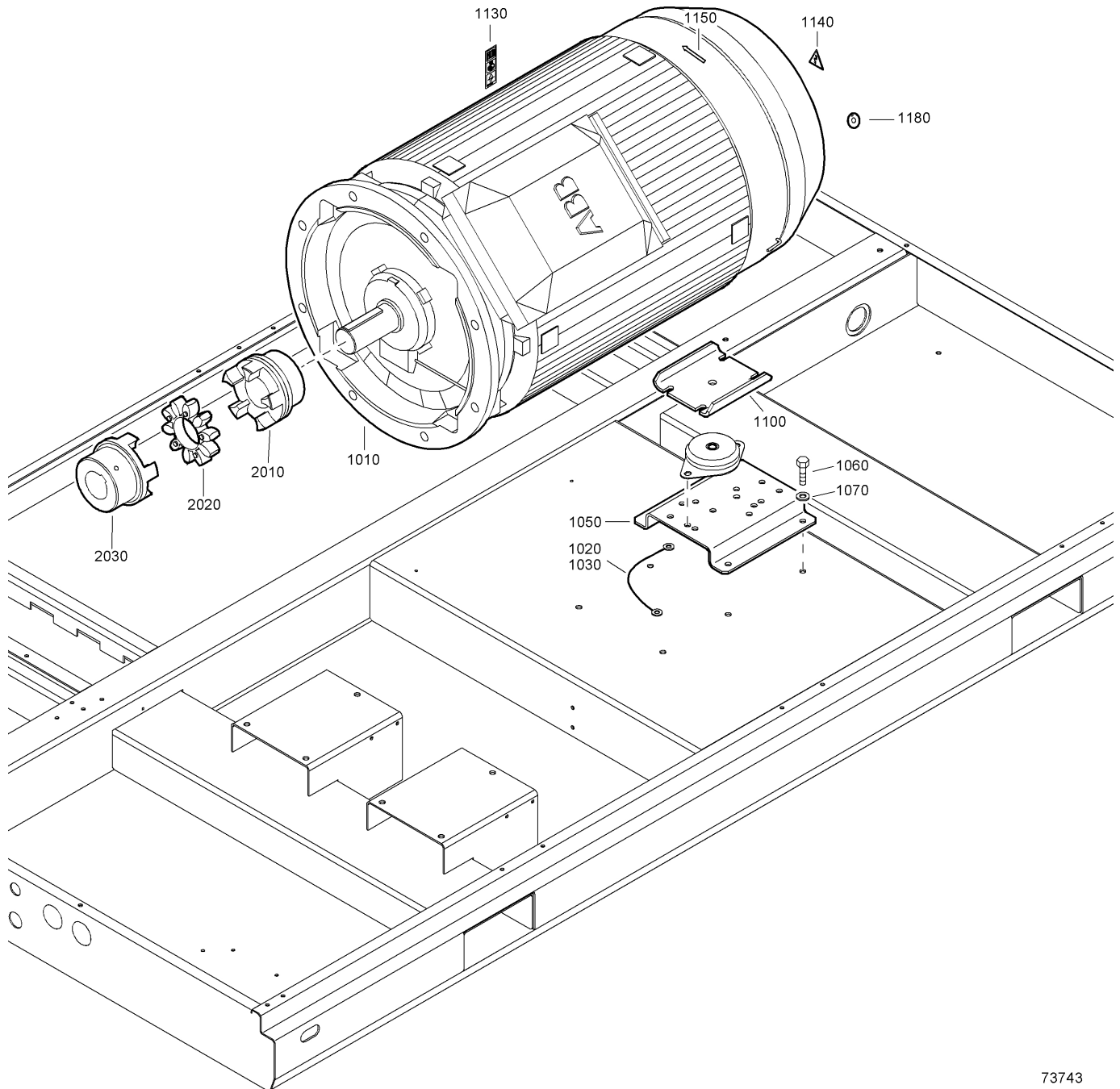
73743



## Motor and coupling

Ref.	Partnumber	Qty	Name	Remarks	Ref.	Partnumber	Qty	Name	Remarks
1070	0301 2358 00	4	Washer				<b>1</b>	<b>Coupling</b>	
1100	1621 6963 00	1	Support		2010	1623 0377 00	1	Coupling element	
1150	1079 9901 29	1	Label		2020	1623 0378 00	1	Absorber	
1160	1088 1001 04	1	Warning mark		2030	1623 0379 00	1	Coupling drive	
1175	1503 0786 00	1	Rotation arrow					<b>GA 132+</b>	
1180	1621 0478 00	1	Label					<b>GA 160</b>	
		<b>1</b>	<b>Coupling</b>					<b>GA 160+</b>	
2010	1623 0377 00	1	Coupling element					<b>380V IEC 60Hz</b>	
2020	1623 0378 00	1	Absorber		1010	1080 4203 10	1	Motor	
2030	1623 0379 02	1	Coupling drive		1020	0694 5281 13	2	Cable lug	
			<b>GA 110+</b>		1030	0694 5281 25	6	Cable lug	
			<b>GA 132+</b>		1050	1623 0454 00	1	Support	
			<b>GA 160</b>		1060	0147 1401 03	4	Bolt	
			<b>GA 160+</b>		1070	0301 2358 00	4	Washer	
			<b>380V IEC 50Hz</b>		1100	1621 6963 00	1	Support	
			<b>440V IEC 60Hz</b>		1150	1079 9901 29	1	Label	
1010	1080 4203 04	1	Motor		1160	1088 1001 04	1	Warning mark	
1020	0694 5281 13	2	Cable lug		1175	1503 0786 00	1	Rotation arrow	
1030	0694 5281 24	6	Cable lug		1180	1621 0478 00	1	Label	
1050	1623 0454 00	1	Support				<b>1</b>	<b>Coupling</b>	
1060	0147 1401 03	4	Bolt		2010	1623 0377 00	1	Coupling element	
1070	0301 2358 00	4	Washer		2020	1623 0378 00	1	Absorber	
1100	1621 6963 00	1	Support		2030	1623 0379 00	1	Coupling drive	
1150	1079 9901 29	1	Label					<b>GA 110+</b>	
1160	1088 1001 04	1	Warning mark					<b>GA 132+</b>	
1175	1503 0786 00	1	Rotation arrow					<b>400V IEC 50Hz</b>	
1180	1621 0478 00	1	Label		1010	1080 4203 02	1	Motor	
		<b>1</b>	<b>Coupling</b>		1020	0694 5281 13	2	Cable lug	
2010	1623 0377 00	1	Coupling element		1030	0694 5281 24	6	Cable lug	
2020	1623 0378 00	1	Absorber		1050	1623 0454 00	1	Support	
2030	1623 0379 00	1	Coupling drive		1060	0147 1401 03	4	Bolt	
			<b>GA 132+</b>		1070	0301 2358 00	4	Washer	
			<b>GA 160</b>		1100	1621 6963 00	1	Support	
			<b>GA 160+</b>		1150	1079 9901 29	1	Label	
			<b>380V IEC 50Hz</b>		1160	1088 1001 04	1	Warning mark	
1010	1080 4203 09	1	Motor		1175	1503 0786 00	1	Rotation arrow	
1020	0694 5281 13	2	Cable lug		1180	1621 0478 00	1	Label	
1030	0694 5281 25	6	Cable lug				<b>1</b>	<b>Coupling</b>	
1050	1623 0454 00	1	Support		2010	1623 0377 00	1	Coupling element	
1060	0147 1401 03	4	Bolt		2020	1623 0378 00	1	Absorber	
1070	0301 2358 00	4	Washer		2030	1623 0379 00	1	Coupling drive	
1100	1621 6963 00	1	Support					<b>GA 132+</b>	
1150	1079 9901 29	1	Label					<b>GA 160</b>	
1160	1088 1001 04	1	Warning mark					<b>GA 160+</b>	
1175	1503 0786 00	1	Rotation arrow					<b>400V IEC 50Hz</b>	
1180	1621 0478 00	1	Label		1010	1080 4203 07	1	Motor	
		<b>1</b>	<b>Coupling</b>		1020	0694 5281 13	2	Cable lug	
2010	1623 0374 00	1	Coupling element		1030	0694 5281 25	6	Cable lug	
2020	1623 0375 00	1	Absorber		1050	1623 0454 00	1	Support	
2030	1623 0376 00	1	Coupling drive		1060	0147 1401 03	4	Bolt	
			<b>GA 110+</b>		1070	0301 2358 00	4	Washer	
			<b>GA 132</b>		1100	1621 6963 00	1	Support	
			<b>GA 132+</b>		1150	1079 9901 29	1	Label	
			<b>380V IEC 60Hz</b>		1160	1088 1001 04	1	Warning mark	
1010	1080 4203 04	1	Motor		1175	1503 0786 00	1	Rotation arrow	
1020	0694 5281 13	2	Cable lug		1180	1621 0478 00	1	Label	
1030	0694 5281 24	6	Cable lug				<b>1</b>	<b>Coupling</b>	
1050	1623 0454 00	1	Support		2010	1623 0374 00	1	Coupling element	
1060	0147 1401 03	4	Bolt		2020	1623 0375 00	1	Absorber	
1070	0301 2358 00	4	Washer		2030	1623 0376 00	1	Coupling drive	
1100	1621 6963 00	1	Support					<b>GA 110+</b>	
1150	1079 9901 29	1	Label					<b>GA 132</b>	
1160	1088 1001 04	1	Warning mark					<b>GA 132+</b>	
1175	1503 0786 00	1	Rotation arrow					<b>440V IEC 60Hz</b>	
1180	1621 0478 00	1	Label		1010	1080 4203 02	1	Motor	

# 44



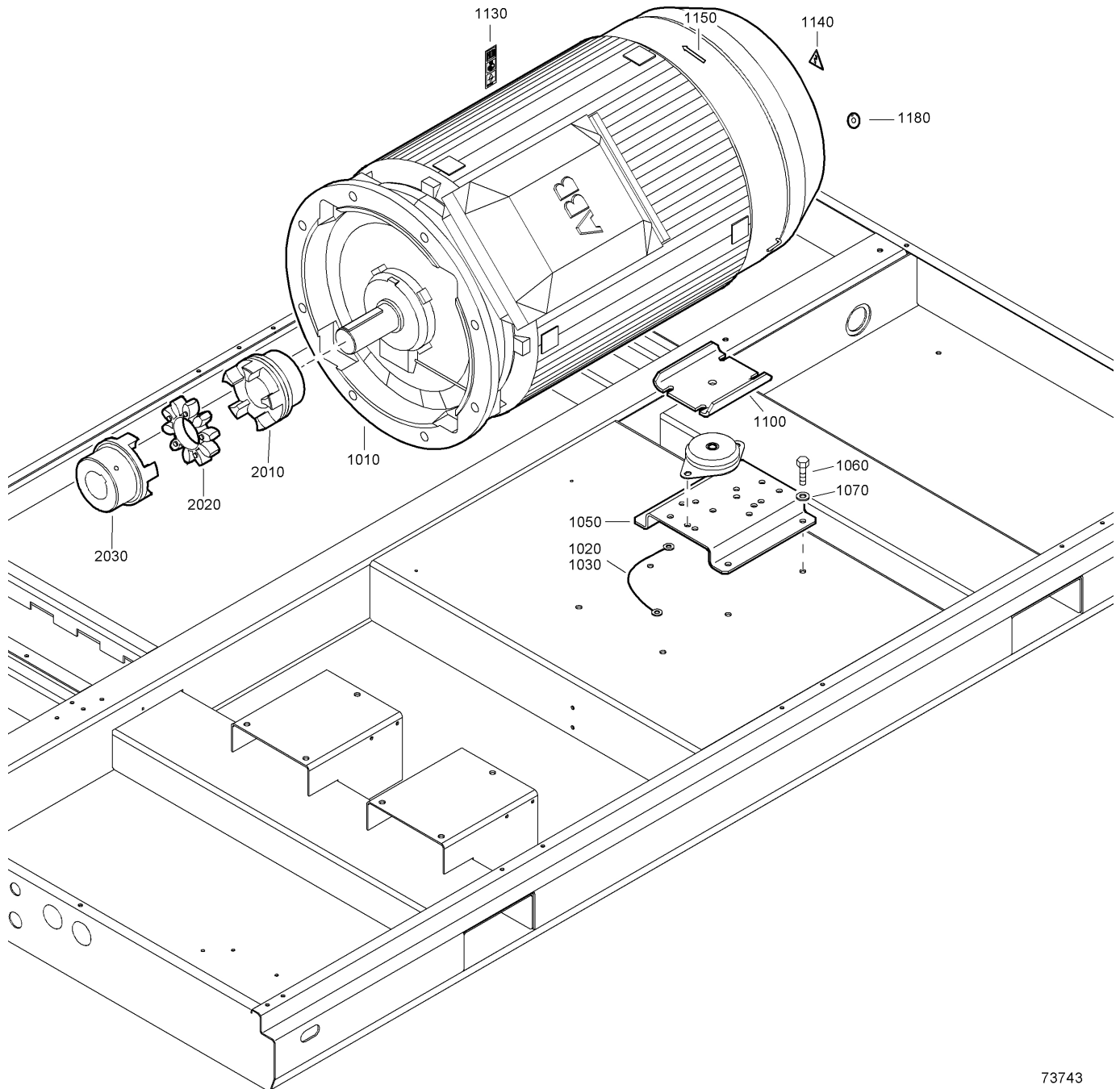
73743

73743

## Motor and coupling

Ref.	Partnumber	Qty	Name	Remarks	Ref.	Partnumber	Qty	Name	Remarks
1020	0694 5281 13	2	Cable lug		1160	1088 1001 04	1	Warning mark	
1030	0694 5281 24	6	Cable lug		1175	1503 0786 00	1	Rotation arrow	
1050	1623 0454 00	1	Support		1180	1621 0478 00	1	Label	
1060	0147 1401 03	4	Bolt				<b>1</b>	<b>Coupling</b>	
1070	0301 2358 00	4	Washer		2010	1623 0377 00	1	Coupling element	
1100	1621 6963 00	1	Support		2020	1623 0378 00	1	Absorber	
1150	1079 9901 29	1	Label		2030	1623 0379 00	1	Coupling drive	
1160	1088 1001 04	1	Warning mark					<b>GA 132+</b>	
1175	1503 0786 00	1	Rotation arrow					<b>GA 160</b>	
1180	1621 0478 00	1	Label					<b>GA 160+</b>	
		<b>1</b>	<b>Coupling</b>					<b>500V IEC 50Hz</b>	
2010	1623 0377 00	1	Coupling element					<b>525V IEC 50Hz</b>	
2020	1623 0378 00	1	Absorber		1010	1080 4203 08	1	Motor	
2030	1623 0379 00	1	Coupling drive		1020	0694 5281 13	2	Cable lug	
			<b>GA 110+</b>		1030	0694 5281 24	6	Cable lug	
			<b>GA 132</b>		1050	1623 0454 00	1	Support	
			<b>GA 132+</b>		1060	0147 1401 03	4	Bolt	
			<b>460V CSA-UL 60Hz</b>		1070	0301 2358 00	4	Washer	
1010	1080 4357 01	1	Motor		1100	1621 6963 00	1	Support	
1020	0694 5281 13	2	Cable lug		1150	1079 9901 29	1	Label	
1030	0694 5281 21	6	Cable lug		1160	1088 1001 04	1	Warning mark	
1050	1623 0521 00	1	Support		1175	1503 0786 00	1	Rotation arrow	
1060	0147 1401 03	4	Bolt		1180	1621 0478 00	1	Label	
1070	0301 2358 00	4	Washer				<b>1</b>	<b>Coupling</b>	
1100	1621 6963 00	1	Support		2010	1623 0374 00	1	Coupling element	
1150	1079 9901 29	1	Label		2020	1623 0375 00	1	Absorber	
1160	1088 1001 04	1	Warning mark		2030	1623 0376 00	1	Coupling drive	
1175	1503 0786 00	1	Rotation arrow					<b>GA 132+</b>	
1180	1621 0478 00	1	Label					<b>GA 160</b>	
		<b>1</b>	<b>Coupling</b>					<b>GA 160+</b>	
2010	1623 0377 00	1	Coupling element					<b>550V IEC 50Hz</b>	
2020	1623 0378 00	1	Absorber		1010	1080 4203 08	1	Motor	
2030	1623 0379 00	1	Coupling drive		1020	0694 5281 13	1	Cable lug	
			<b>GA 132+</b>		1030	0694 5281 24	6	Cable lug	
			<b>GA 160</b>		1050	1623 0454 00	1	Support	
			<b>GA 160+</b>		1060	0147 1401 03	4	Bolt	
			<b>460V CSA-UL 60Hz</b>		1070	0301 2358 00	4	Washer	
1010	1080 4148 11	1	Motor		1100	1621 6963 00	1	Support	
1020	0694 5281 13	2	Cable lug		1150	1079 9901 29	1	Label	
1030	0694 5281 21	6	Cable lug		1160	1088 1001 04	1	Warning mark	
1050	1623 0521 00	1	Support		1175	1503 0786 00	1	Rotation arrow	
1060	0147 1401 03	4	Bolt		1180	1621 0478 00	1	Label	
1070	0301 2358 00	4	Washer				<b>1</b>	<b>Coupling</b>	
1100	1621 6963 00	1	Support		2010	1623 0374 00	1	Coupling element	
1150	1079 9901 29	1	Label		2020	1623 0375 00	1	Absorber	
1160	1088 1001 04	1	Warning mark		2030	1623 0376 00	1	Coupling drive	
1175	1503 0786 00	1	Rotation arrow					<b>GA 110+</b>	
1180	1621 0478 00	1	Label					<b>GA 132</b>	
		<b>1</b>	<b>Coupling</b>					<b>GA 132+</b>	
2010	1623 0377 00	1	Coupling element					<b>575V CSA-UL 60Hz</b>	
2020	1623 0378 00	1	Absorber		1010	1080 4357 02	1	Motor	
2030	1623 0379 00	1	Coupling drive		1020	0694 5281 13	2	Cable lug	
			<b>GA 110+</b>		1030	0694 5281 21	6	Cable lug	
			<b>GA 132+</b>		1050	1623 0521 00	1	Support	
			<b>500V IEC 50Hz</b>		1060	0147 1401 03	4	Bolt	
			<b>525V IEC 50Hz</b>		1070	0301 2358 00	4	Washer	
			<b>550V IEC 50Hz</b>		1100	1621 6963 00	1	Support	
1010	1080 4203 03	1	Motor		1150	1079 9901 29	1	Label	
1020	0694 5281 13	2	Cable lug		1160	1088 1001 04	1	Warning mark	
1030	0694 5281 24	6	Cable lug		1175	1503 0786 00	1	Rotation arrow	
1050	1623 0454 00	1	Support				<b>1</b>	<b>Coupling</b>	
1060	0147 1401 03	4	Bolt		2010	1623 0377 00	1	Coupling element	
1070	0301 2358 00	4	Washer		2020	1623 0378 00	1	Absorber	
1100	1621 6963 00	1	Support		2030	1623 0379 00	1	Coupling drive	
1150	1079 9901 29	1	Label					<b>GA 110+</b>	

# 44



73743

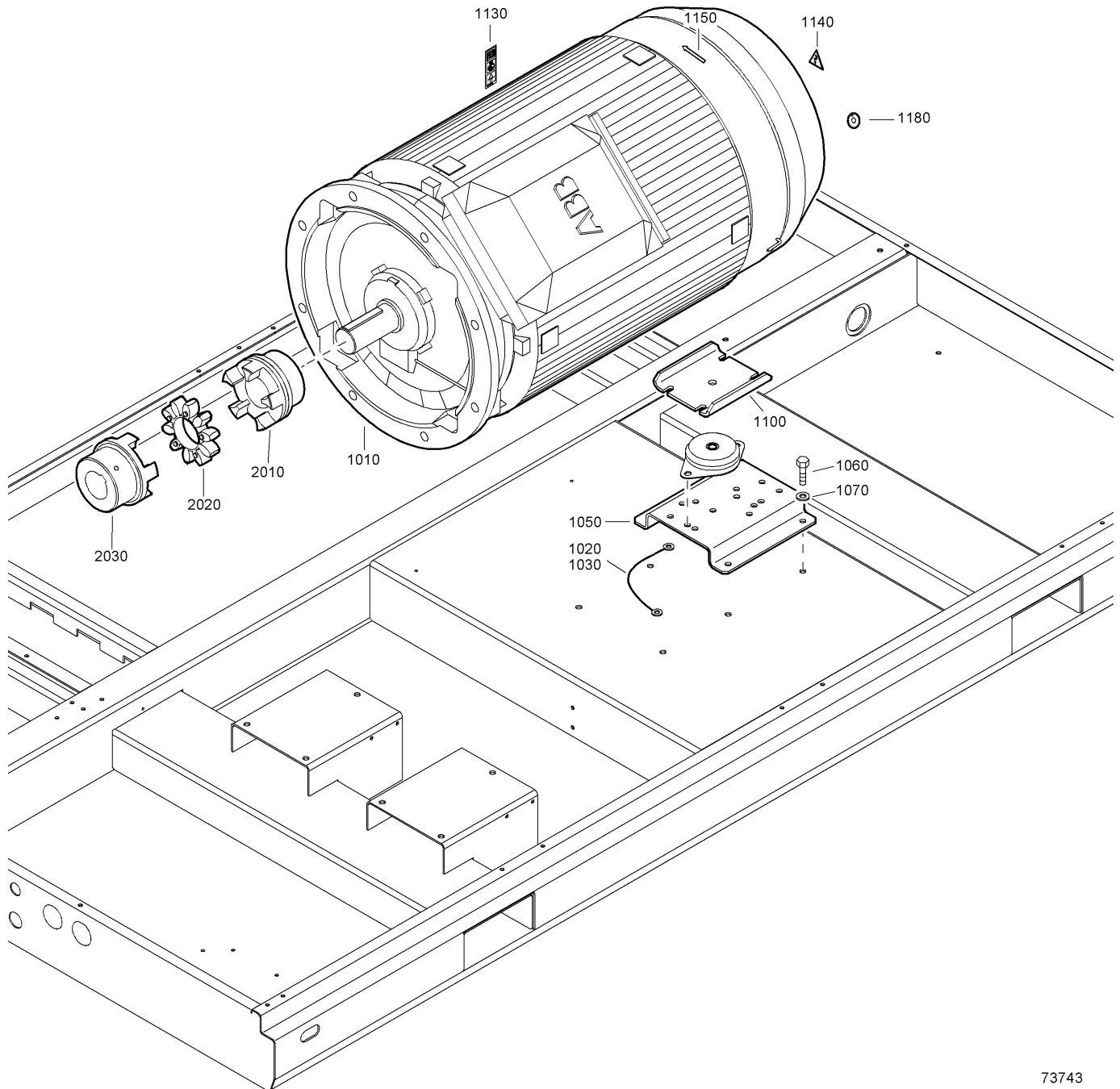
73743

## Motor and coupling

44

Ref.	Partnumber	Qty	Name	Remarks	Ref.	Partnumber	Qty	Name	Remarks
			<b>GA 132</b>		1020	0694 5281 09	2	Cable lug	
			<b>GA 132+</b>		1030	0694 5281 21	6	Cable lug	
			<b>575V CSA-UL 60Hz</b>		1050	1623 0454 00	1	Support motor	
1010	1080 4148 12	1	Motor		1060	0147 1401 03	4	Bolt	
1020	0694 5281 13	2	Cable lug		1070	0301 2358 00	4	Washer	
1030	0694 5281 21	6	Cable lug		1100	1621 6963 00	1	Support	
1050	1623 0521 00	1	Support		1120	0697 9745 74	1	Adapter	
1060	0147 1401 03	4	Bolt		1130	0697 9745 27	1	Reducing sleeve	
1070	0301 2358 00	4	Washer		1140	0697 9809 06	1	Lock nut	
1100	1621 6963 00	1	Support		1150	1079 9901 29	1	Label	
1150	1079 9901 29	1	Label		1160	1088 1001 04	1	Warning mark	
1160	1088 1001 04	1	Warning mark		1175	1503 0786 00	1	Rotation arrow	
1175	1503 0786 00	1	Rotation arrow		1180	1621 0478 00	1	Label	
1180	1621 0478 00	1	Label				<b>1</b>	<b>Coupling</b>	
2010	1623 0377 00	1	Coupling element		2010	1623 0377 00	1	Coupling elem.	
2020	1623 0378 00	1	Absorber		2020	1623 0378 00	1	Absorber	
2030	1623 0379 00	1	Coupling drive		2030	1623 0379 01	1	Coupling drive	
			<b>GA 90+</b>					<b>380 V IEC 60 Hz</b>	
			<b>With PT 1000s in</b>		1010	1080 4323 14	1	Motor	
			<b>the windings</b>		1020	0694 5281 09	2	Cable lug	
			<b>Anti-condensation heaters</b>		1030	0694 5281 21	6	Cable lug	
			<b>380 V IEC 50 Hz</b>		1050	1623 0454 00	1	Support motor	
1010	1080 4323 11	1	Motor		1060	0147 1401 03	4	Bolt	
1020	0694 5281 09	2	Cable lug		1070	0301 2358 00	4	Washer	
1030	0694 5281 21	6	Cable lug		1100	1621 6963 00	1	Support	
1050	1623 0454 00	1	Support motor		1120	0697 9745 74	1	Adapter	
1060	0147 1401 03	4	Bolt		1130	0697 9745 27	1	Reducing sleeve	
1070	0301 2358 00	4	Washer		1140	0697 9809 06	1	Lock nut	
1100	1621 6963 00	1	Support		1150	1079 9901 29	1	Label	
1120	0697 9745 74	1	Adapter		1160	1088 1001 04	1	Warning mark	
1130	0697 9745 27	1	Reducing sleeve		1175	1503 0786 00	1	Rotation arrow	
1140	0697 9809 06	1	Lock nut		1180	1621 0478 00	1	Label	
1150	1079 9901 29	1	Label				<b>1</b>	<b>Coupling</b>	
1160	1088 1001 04	1	Warning mark		2010	1623 0377 00	1	Coupling elem.	
1175	1503 0786 00	1	Rotation arrow		2020	1623 0378 00	1	Absorber	
1180	1621 0478 00	1	Label		2030	1623 0379 01	1	Coupling drive	
2010	1623 0377 00	1	Coupling elem.					<b>460 V CSA-UL 60 Hz</b>	
2020	1623 0378 00	1	Absorber		1010	1080 4146 11	1	Motor	
2030	1623 0379 01	1	Coupling drive		1020	0694 5280 45	2	Cable lug	
			<b>400 V IEC 50 Hz</b>		1030	0694 5280 44	6	Cable lug	
			<b>440 V IEC 60 Hz</b>		1050	1623 0521 00	1	Support motor	
1010	1080 4323 12	1	Motor		1060	0147 1401 03	4	Bolt	
1020	0694 5281 09	2	Cable lug		1070	0301 2358 00	4	Washer	
1030	0694 5281 21	6	Cable lug		1100	1621 6963 00	1	Support	
1050	1623 0454 00	1	Support motor		1120	0697 9745 74	1	Adapter	
1060	0147 1401 03	4	Bolt		1130	0697 9745 27	1	Reducing sleeve	
1070	0301 2358 00	4	Washer		1140	0697 9809 06	1	Lock nut	
1100	1621 6963 00	1	Support		1150	1079 9901 29	1	Label	
1120	0697 9745 74	1	Adapter		1160	1088 1001 04	1	Warning mark	
1130	0697 9745 27	1	Reducing sleeve		1175	1503 0786 00	1	Rotation arrow	
1140	0697 9809 06	1	Lock nut		1180	1621 0478 00	1	Label	
1150	1079 9901 29	1	Label				<b>1</b>	<b>Coupling</b>	
1160	1088 1001 04	1	Warning mark		2010	1623 0377 00	1	Coupling elem.	
1175	1503 0786 00	1	Rotation arrow		2020	1623 0378 00	1	Absorber	
1180	1621 0478 00	1	Label		2030	1623 0379 00	1	Coupling drive	
2010	1623 0377 00	1	Coupling elem.					<b>575 V CSA-UL 60 Hz</b>	
2020	1623 0378 00	1	Absorber		1010	1080 4146 12	1	Motor	
2030	1623 0379 01	1	Coupling drive		1020	0694 5280 45	2	Cable lug	
			<b>500 V IEC 50 Hz</b>		1030	0694 5280 44	6	Cable lug	
			<b>525 V IEC 50 Hz</b>		1050	1623 0521 00	1	Support motor	
			<b>550 V IEC 50 Hz</b>		1060	0147 1401 03	4	Bolt	
1010	1080 4323 13	1	Motor		1070	0301 2358 00	4	Washer	
					1100	1621 6963 00	1	Support	
					1120	0697 9745 74	1	Adapter	
					1130	0697 9745 27	1	Reducing sleeve	

# 44



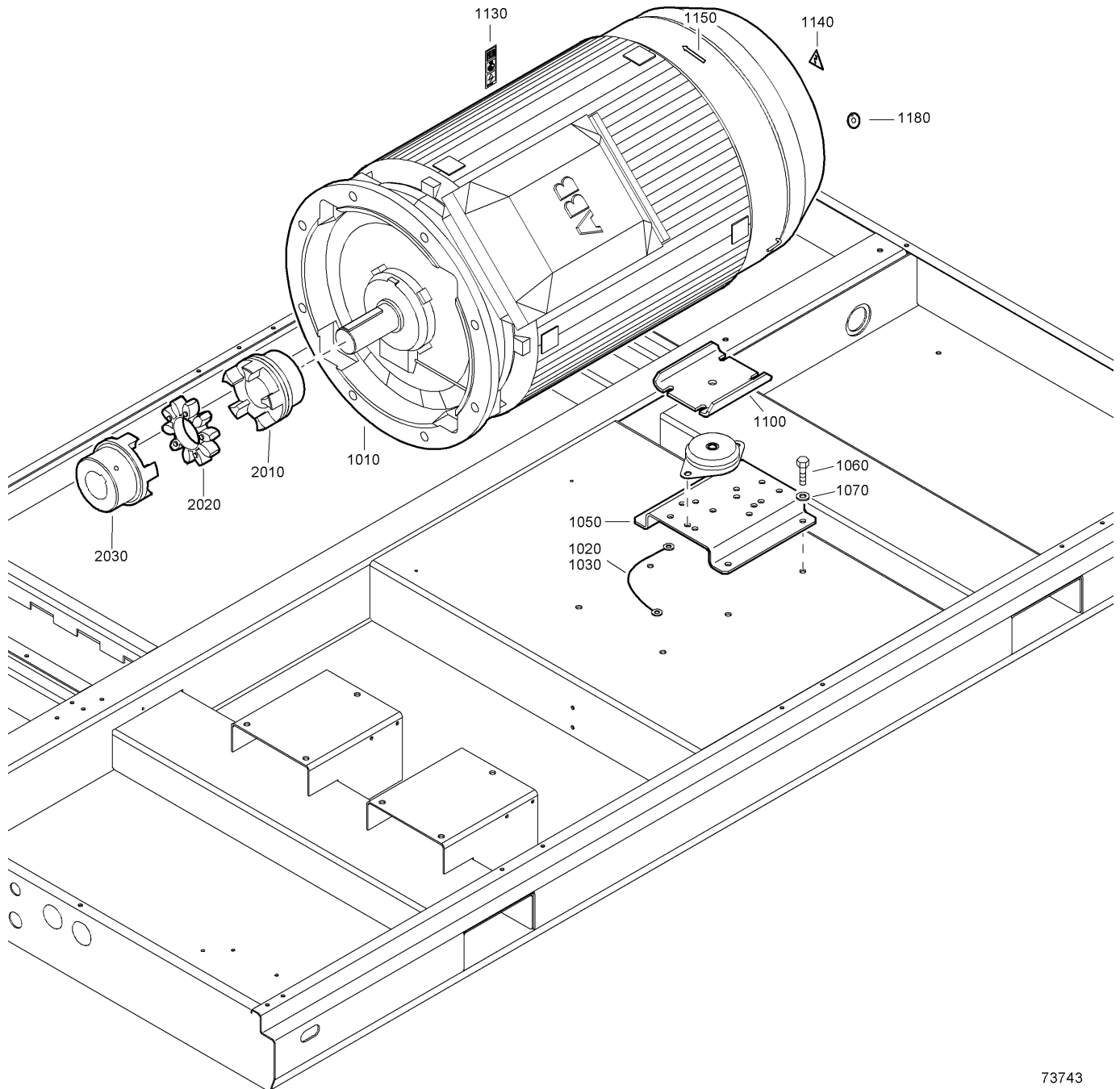
73743

73743

## Motor and coupling

Ref.	Partnumber	Qty	Name	Remarks	Ref.	Partnumber	Qty	Name	Remarks
1140	0697980906	1	Lock nut		1130	0697974527	1	Reducing sleeve	
1150	1079990129	1	Label		1140	0697980906	1	Lock nut	
1160	1088100104	1	Warning mark		1155	1079990129	1	Label	
1175	1503078600	1	Rotation arrow		1160	1088100104	1	Warning mark	
1180	1621047800	1	Label		1175	1503078600	1	Rotation arrow	
		<b>1</b>	<b>Coupling</b>		1180	1621047800	1	Label	
2010	1623037700	1	Coupling elem.				<b>1</b>	<b>Coupling</b>	
2020	1623037800	1	Absorber		2010	1623037700	1	Coupling elem.	
2030	1623037900	1	Coupling drive		2020	1623037800	1	Absorber	
			<b>GA 90+</b>		2030	1623037901	1	Coupling drive	
			<b>GA 110</b>					<b>380 V IEC 60 Hz</b>	
			<b>GA 110+</b>		1010	1080432319	1	Motor	
			<b>With PT 1000s in</b>		1020	0694528109	2	Cable lug	
			<b>the windings</b>		1030	0694528121	6	Cable lug	
			<b>Anti-condensation heaters</b>		1050	1623045400	1	Support motor	
			<b>Oversized motor</b>		1060	0147140103	4	Bolt	
			<b>380 V IEC 50 Hz</b>		1070	0301235800	4	Washer	
1010	1080432316	1	Motor		1070	0301235800	4	Washer	
1020	0694528109	2	Cable lug		1100	1621696300	1	Support	
1030	0694528121	6	Cable lug		1120	0697974574	1	Adapter	
1050	1623045400	1	Support motor		1130	0697974527	1	Reducing sleeve	
1060	0147140103	4	Bolt		1140	0697980906	1	Lock nut	
1070	0301235800	4	Washer		1150	1079990129	1	Label	
1100	1621696300	1	Support		1160	1088100104	1	Warning mark	
1120	0697974574	1	Adapter		1175	1503078600	1	Rotation arrow	
1130	0697974527	1	Reducing sleeve		1180	1621047800	1	Label	
1140	0697980906	1	Lock nut				<b>1</b>	<b>Coupling</b>	
1150	1079990129	1	Label		2010	1623037700	1	Coupling elem.	
1160	1088100104	1	Warning mark		2020	1623037800	1	Absorber	
1175	1503078600	1	Rotation arrow		2030	1623037901	1	Coupling drive	
1180	1621047800	1	Label					<b>460 V CSA-UL 60 Hz</b>	
		<b>1</b>	<b>Coupling</b>		1010	1080414711	1	Motor	
2010	1623037700	1	Coupling elem.		1020	0694528113	2	Cable lug	
2020	1623037800	1	Absorber		1030	0694528121	6	Cable lug	
2030	1623037901	1	Coupling drive		1050	1623052100	1	Support motor	
			<b>400 V IEC 50 Hz</b>		1060	0147140103	4	Bolt	
			<b>440 V IEC 60 Hz</b>		1070	0301235800	4	Washer	
1010	1080432317	1	Motor		1100	1621696300	1	Support	
1020	0694528109	2	Cable lug		1120	0697974574	1	Adapter	
1030	0694528121	6	Cable lug		1130	0697974527	1	Reducing sleeve	
1050	1623045400	1	Support motor		1140	0697980906	1	Lock nut	
1060	0147140103	4	Bolt		1150	1079990129	1	Label	
1070	0301235800	4	Washer		1160	1088100104	1	Warning mark	
1100	1621696300	1	Support		1172	1503078600	1	Rotation arrow	
1120	0697974574	1	Adapter		1180	1621047800	1	Label	
1130	0697974527	1	Reducing sleeve				<b>1</b>	<b>Coupling</b>	
1140	0697980906	1	Lock nut		2010	1623037700	1	Coupling elem.	
1150	1079990129	1	Label		2020	1623037800	1	Absorber	
1160	1088100104	1	Warning mark		2030	1623037900	1	Coupling drive	
1175	1503078600	1	Rotation arrow					<b>575 V CSA-UL 60 Hz</b>	
1180	1621047800	1	Label		1010	1080414712	1	Motor	
2010	1623037700	1	Coupling elem.		1020	0694528045	2	Cable lug	
2020	1623037800	1	Absorber		1030	0694528044	6	Cable lug	
2030	1623037901	1	Coupling drive		1050	1623052100	1	Support motor	
			<b>500 V IEC 50 Hz</b>		1060	0147140103	4	Bolt	
			<b>525 V IEC 50 Hz</b>		1070	0301235800	4	Washer	
			<b>550 V IEC 50 Hz</b>		1100	1621696300	1	Support	
1010	1080432318	1	Motor		1120	0697974574	1	Adapter	
1020	0694528109	2	Cable lug		1130	0697974527	1	Reducing sleeve	
1030	0694528121	6	Cable lug		1140	0697980906	1	Lock nut	
1050	1623045400	1	Support motor		1150	1079990129	1	Label	
1060	0147140103	4	Bolt		1160	1088100104	1	Warning mark	
1070	0301235800	4	Washer		1175	1503078600	1	Rotation arrow	
1100	1621696300	1	Support		1180	1621047800	1	Label	
1120	0697974574	1	Adapter				<b>1</b>	<b>Coupling</b>	
					2010	1623037700	1	Coupling elem.	

# 44



73743

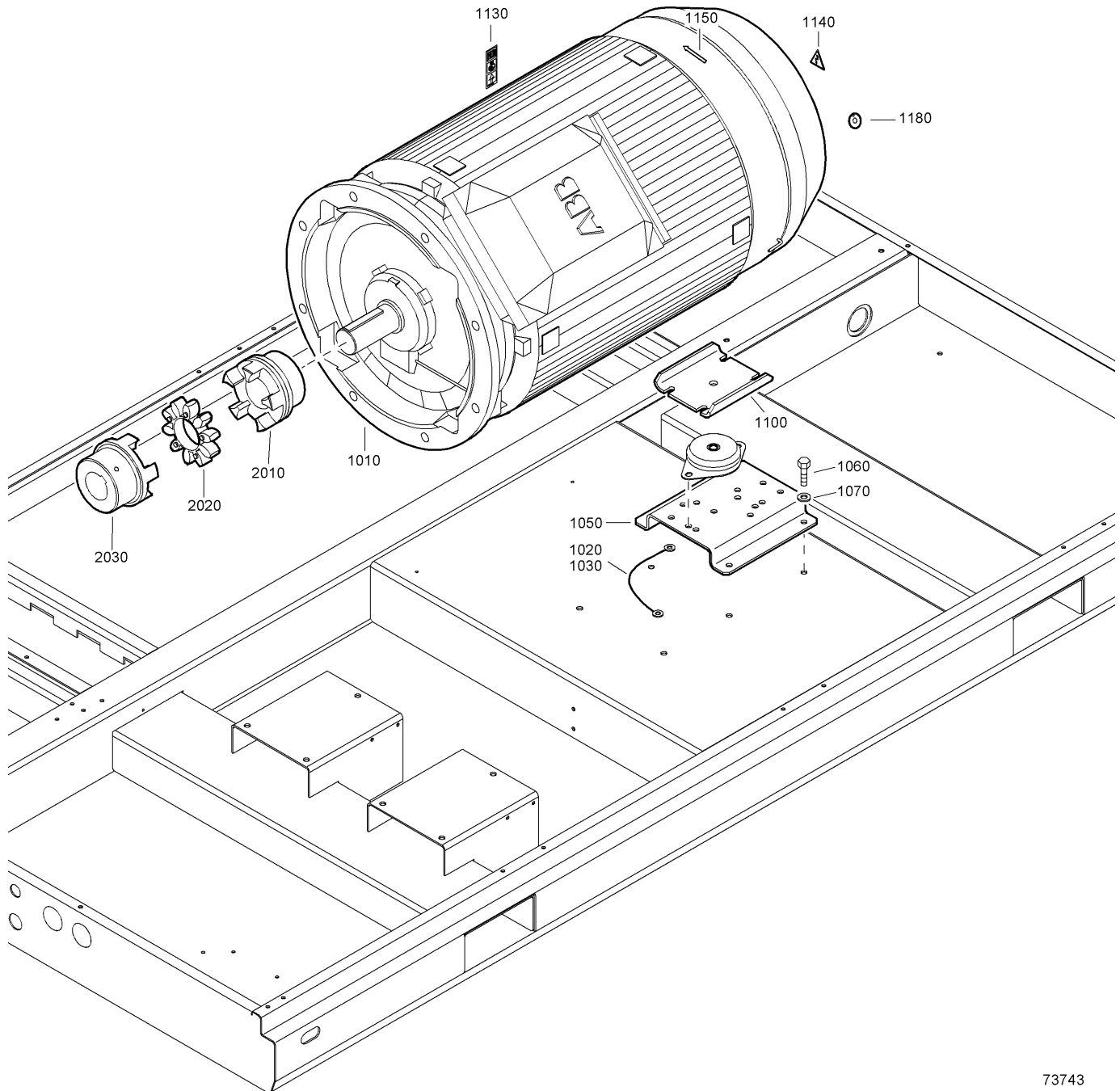
73743



## Motor and coupling

Ref.	Partnumber	Qty	Name	Remarks	Ref.	Partnumber	Qty	Name	Remarks
2020	1623 0378 00	1	Absorber		1070	0301 2358 00	4	Washer	
2030	1623 0379 00	1	Coupling drive		1100	1621 6963 00	1	Support	
			<b>GA 132</b>		1150	1079 9901 29	1	Label	
			<b>With PT 1000s in the windings</b>		1160	1088 1001 04	1	Warning mark	
			<b>With Anti-condensation heaters</b>		1175	1503 0786 00	1	Rotation arrow	
			<b>380V IEC 50Hz</b>		1180	1621 0478 00	1	Label	
1010	1080 4358 11	1	Motor		2010	1623 0377 00	1	<b>Coupling</b>	
1020	0694 5281 13	2	Cable lug		2020	1623 0378 00	1	Coupling element	
1030	0694 5281 24	6	Cable lug		2030	1623 0379 02	1	Absorber	
1050	1623 0454 00	1	Support motor					Coupling drive	
1060	0147 1401 03	4	Bolt					<b>GA 110+</b>	
1070	0301 2358 00	4	Washer					<b>GA 132+</b>	
1100	1621 6963 00	1	Support					<b>GA 160</b>	
1150	1079 9901 29	1	Label					<b>GA 160+</b>	
1160	1088 1001 04	1	Warning mark					<b>With PT 1000s in the windings</b>	
1175	1503 0786 00	1	Rotation arrow					<b>With Anti-condensation heaters</b>	
1180	1621 0478 00	1	Label					<b>380V IEC 50Hz</b>	
			<b>1 Coupling</b>					<b>440V IEC 60Hz</b>	
2010	1623 0377 00	1	Coupling element		1010	1080 4203 14	1	Motor	
2020	1623 0378 00	1	Absorber		1020	0694 5281 13	2	Cable lug	
2030	1623 0379 02	1	Coupling drive		1030	0694 5281 24	6	Cable lug	
			<b>GA 132</b>		1050	1623 0454 00	1	Support	
			<b>400V IEC 50Hz</b>		1060	0147 1401 03	4	Bolt	
1010	1080 4358 11	1	Motor		1070	0301 2358 00	4	Washer	
1020	0694 5281 13	2	Cable lug		1100	1621 6963 00	1	Support	
1030	0694 5281 24	6	Cable lug		1150	1079 9901 29	1	Label	
1050	1623 0454 00	1	Support		1160	1088 1001 04	1	Warning mark	
1060	0147 1401 03	4	Bolt		1175	1503 0786 00	1	Rotation arrow	
1070	0301 2358 00	4	Washer		1180	1621 0478 00	1	Label	
1100	1621 6963 00	1	Support					<b>1 Coupling</b>	
1150	1079 9901 29	1	Label		2010	1623 0377 00	1	Coupling element	
1160	1088 1001 04	1	Warning mark		2020	1623 0378 00	1	Absorber	
1175	1503 0786 00	1	Rotation arrow		2030	1623 0379 00	1	Coupling drive	
1180	1621 0478 00	1	Label					<b>GA 132+</b>	
			<b>1 Coupling</b>					<b>GA 160</b>	
2010	1623 0377 00	1	Coupling element					<b>GA 160+</b>	
2020	1623 0378 00	1	Absorber		1010	1080 4203 19	1	Motor	
2030	1623 0379 02	1	Coupling drive		1020	0694 5281 13	2	Cable lug	
			<b>GA 132</b>		1030	0694 5281 25	6	Cable lug	
			<b>500V IEC 50Hz</b>		1050	1623 0454 00	1	Support	
			<b>525V IEC 50Hz</b>		1060	0147 1401 03	4	Bolt	
1010	1080 4358 12	1	Motor		1070	0301 2358 00	4	Washer	
1020	0694 5281 13	2	Cable lug		1100	1621 6963 00	1	Support	
1030	0694 5281 24	6	Cable lug		1150	1079 9901 29	1	Label	
1050	1623 0454 00	1	Support		1160	1088 1001 04	1	Warning mark	
1060	0147 1401 03	4	Bolt		1175	1503 0786 00	1	Rotation arrow	
1070	0301 2358 00	4	Washer		1180	1621 0478 00	1	Label	
1100	1621 6963 00	1	Support					<b>1 Coupling</b>	
1150	1079 9901 29	1	Label		2010	1623 0374 00	1	Coupling element	
1160	1088 1001 04	1	Warning mark		2020	1623 0375 00	1	Absorber	
1175	1503 0786 00	1	Rotation arrow		2030	1623 0376 00	1	Coupling drive	
1180	1621 0478 00	1	Label					<b>GA 110+</b>	
			<b>1 Coupling</b>					<b>GA 132</b>	
2010	1623 0377 00	1	Coupling element					<b>GA 132+</b>	
2020	1623 0378 00	1	Absorber					<b>380V IEC 60Hz</b>	
2030	1623 0379 02	1	Coupling drive		1010	1080 4203 14	1	Motor	
			<b>GA 132</b>		1020	0694 5281 13	2	Cable lug	
			<b>550V IEC 50Hz</b>		1030	0694 5281 24	6	Cable lug	
1010	1080 4358 12	1	Motor		1050	1623 0454 00	1	Support	
1020	0694 5281 13	2	Cable lug		1060	0147 1401 03	4	Bolt	
1030	0694 5281 24	6	Cable lug		1070	0301 2358 00	4	Washer	
1050	1623 0454 00	1	Support		1100	1621 6963 00	1	Support	
1060	0147 1401 03	4	Bolt		1150	1079 9901 29	1	Label	

# 44



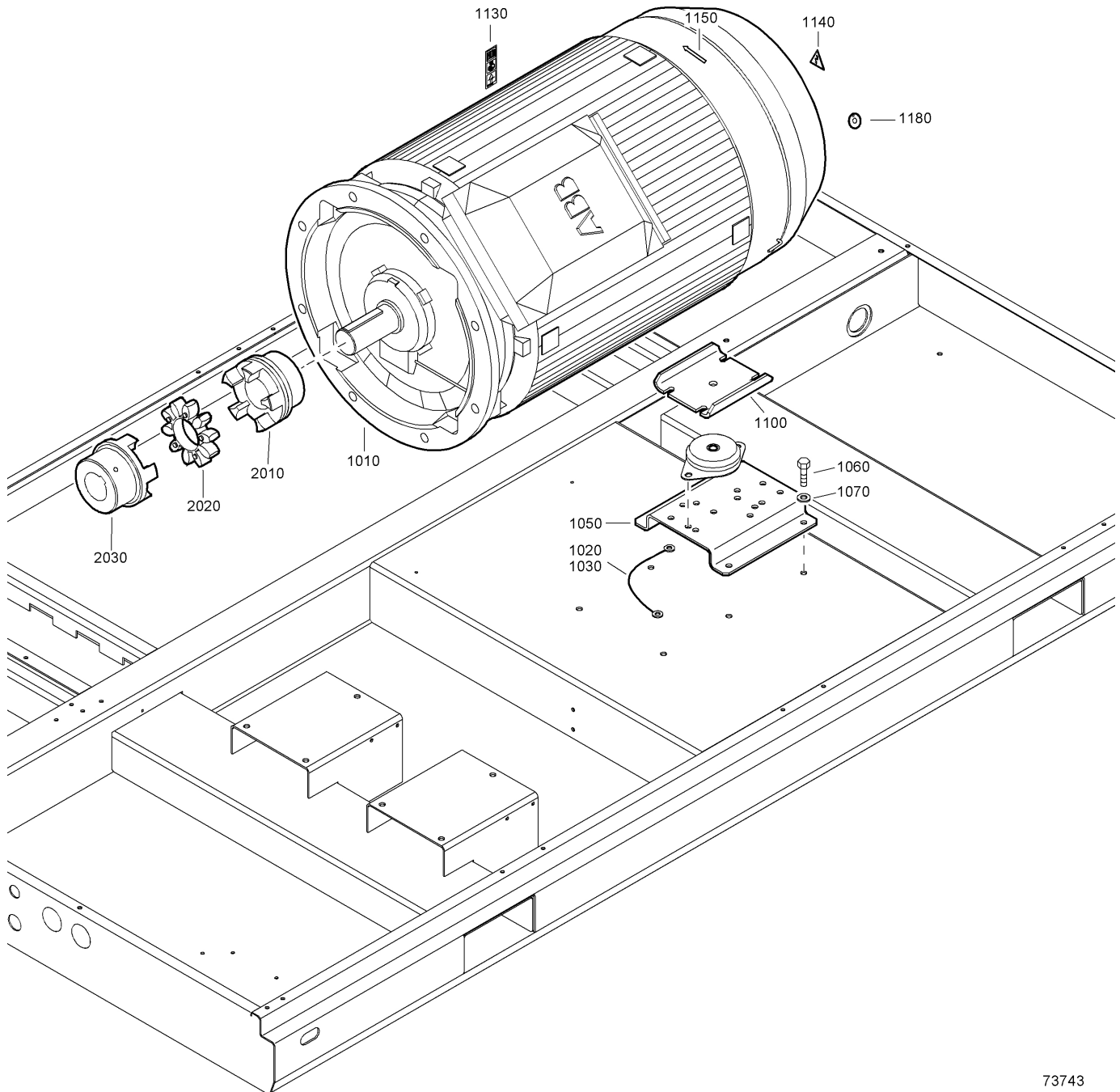
73743

73743

## Motor and coupling

Ref.	Partnumber	Qty	Name	Remarks	Ref.	Partnumber	Qty	Name	Remarks
1160	1088 1001 04	1	Warning mark					<b>GA 132+</b>	
1175	1503 0786 00	1	Rotation arrow					<b>440V IEC 60Hz</b>	
1180	1621 0478 00	1	Label		1010	1080 4203 12	1	Motor	
		<b>1</b>	<b>Coupling</b>		1020	0694 5281 13	2	Cable lug	
2010	1623 0377 00	1	Coupling element		1030	0694 5281 24	6	Cable lug	
2020	1623 0378 00	1	Absorber		1050	1623 0454 00	1	Support	
2030	1623 0379 00	1	Coupling drive		1060	0147 1401 03	4	Bolt	
			<b>GA 132+</b>		1070	0301 2358 00	4	Washer	
			<b>GA 160</b>		1100	1621 6963 00	1	Support	
			<b>GA 160+</b>		1150	1079 9901 29	1	Label	
			<b>380V IEC 60Hz</b>		1160	1088 1001 04	1	Warning mark	
1010	1080 4203 20	1	Motor		1175	1503 0786 00	1	Rotation arrow	
1020	0694 5281 13	2	Cable lug		1180	1621 0478 00	1	Label	
1030	0694 5281 25	6	Cable lug				<b>1</b>	<b>Coupling</b>	
1050	1623 0454 00	1	Support		2010	1623 0377 00	1	Coupling element	
1060	0147 1401 03	4	Bolt		2020	1623 0378 00	1	Absorber	
1070	0301 2358 00	4	Washer		2030	1623 0379 00	1	Coupling drive	
1100	1621 6963 00	1	Support					<b>GA 110+</b>	
1150	1079 9901 29	1	Label					<b>GA 132</b>	
1160	1088 1001 04	1	Warning mark					<b>GA 132+</b>	
1175	1503 0786 00	1	Rotation arrow					<b>460V CSA-UL 60Hz</b>	
1180	1621 0478 00	1	Label		1010	1080 4357 11	1	Motor	
		<b>1</b>	<b>Coupling</b>		1020	0694 5281 13	2	Cable lug	
2010	1623 0377 00	1	Coupling element		1030	0694 5281 21	6	Cable lug	
2020	1623 0378 00	1	Absorber		1050	1623 0521 00	1	Support	
2030	1623 0379 00	1	Coupling drive		1060	0147 1401 03	4	Bolt	
			<b>GA 110+</b>		1070	0301 2358 00	4	Washer	
			<b>GA 132+</b>		1100	1621 6963 00	1	Support	
			<b>400V IEC 50Hz</b>		1150	1079 9901 29	1	Label	
1010	1080 4203 12	1	Motor		1160	1088 1001 04	1	Warning mark	
1020	0694 5281 13	2	Cable lug		1175	1503 0786 00	1	Rotation arrow	
1030	0694 5281 24	6	Cable lug		1180	1621 0478 00	1	Label	
1050	1623 0454 00	1	Support				<b>1</b>	<b>Coupling</b>	
1060	0147 1401 03	4	Bolt		2010	1623 0377 00	1	Coupling element	
1070	0301 2358 00	4	Washer		2020	1623 0378 00	1	Absorber	
1100	1621 6963 00	1	Support		2030	1623 0379 00	1	Coupling drive	
1150	1079 9901 29	1	Label					<b>GA 132+</b>	
1160	1088 1001 04	1	Warning mark					<b>GA 160</b>	
1175	1503 0786 00	1	Rotation arrow					<b>GA 160+</b>	
1180	1621 0478 00	1	Label					<b>460V CSA-UL 60Hz</b>	
		<b>1</b>	<b>Coupling</b>		1010	1080 4148 21	1	Motor	
2010	1623 0377 00	1	Coupling element		1020	0694 5281 13	2	Cable lug	
2020	1623 0378 00	1	Absorber		1030	0694 5281 21	6	Cable lug	
2030	1623 0379 00	1	Coupling drive		1050	1623 0521 00	1	Support	
			<b>GA 132+</b>		1060	0147 1401 03	4	Bolt	
			<b>GA 160</b>		1070	0301 2358 00	4	Washer	
			<b>GA 160+</b>		1100	1621 6963 00	1	Support	
			<b>400V IEC 50Hz</b>		1150	1079 9901 29	1	Label	
1010	1080 4203 17	1	Motor		1160	1088 1001 04	1	Warning mark	
1020	0694 5281 13	2	Cable lug		1175	1503 0786 00	1	Rotation arrow	
1030	0694 5281 25	6	Cable lug		1180	1621 0478 00	1	Label	
1050	1623 0454 00	1	Support				<b>1</b>	<b>Coupling</b>	
1060	0147 1401 03	4	Bolt		2010	1623 0377 00	1	Coupling element	
1070	0301 2358 00	4	Washer		2020	1623 0378 00	1	Absorber	
1100	1621 6963 00	1	Support		2030	1623 0379 00	1	Coupling drive	
1150	1079 9901 29	1	Label					<b>GA 110+</b>	
1160	1088 1001 04	1	Warning mark					<b>GA 132+</b>	
1175	1503 0786 00	1	Rotation arrow					<b>500V IEC 50Hz</b>	
1180	1621 0478 00	1	Label					<b>525V IEC 50Hz</b>	
		<b>1</b>	<b>Coupling</b>					<b>550V IEC 50Hz</b>	
2010	1623 0374 00	1	Coupling element		1010	1080 4203 13	1	Motor	
2020	1623 0375 00	1	Absorber		1020	0694 5281 13	2	Cable lug	
2030	1623 0376 00	1	Coupling drive		1030	0694 5281 24	6	Cable lug	
			<b>GA 110+</b>		1050	1623 0454 00	1	Support	
			<b>GA 132</b>		1060	0147 1401 03	4	Bolt	

# 44



73743

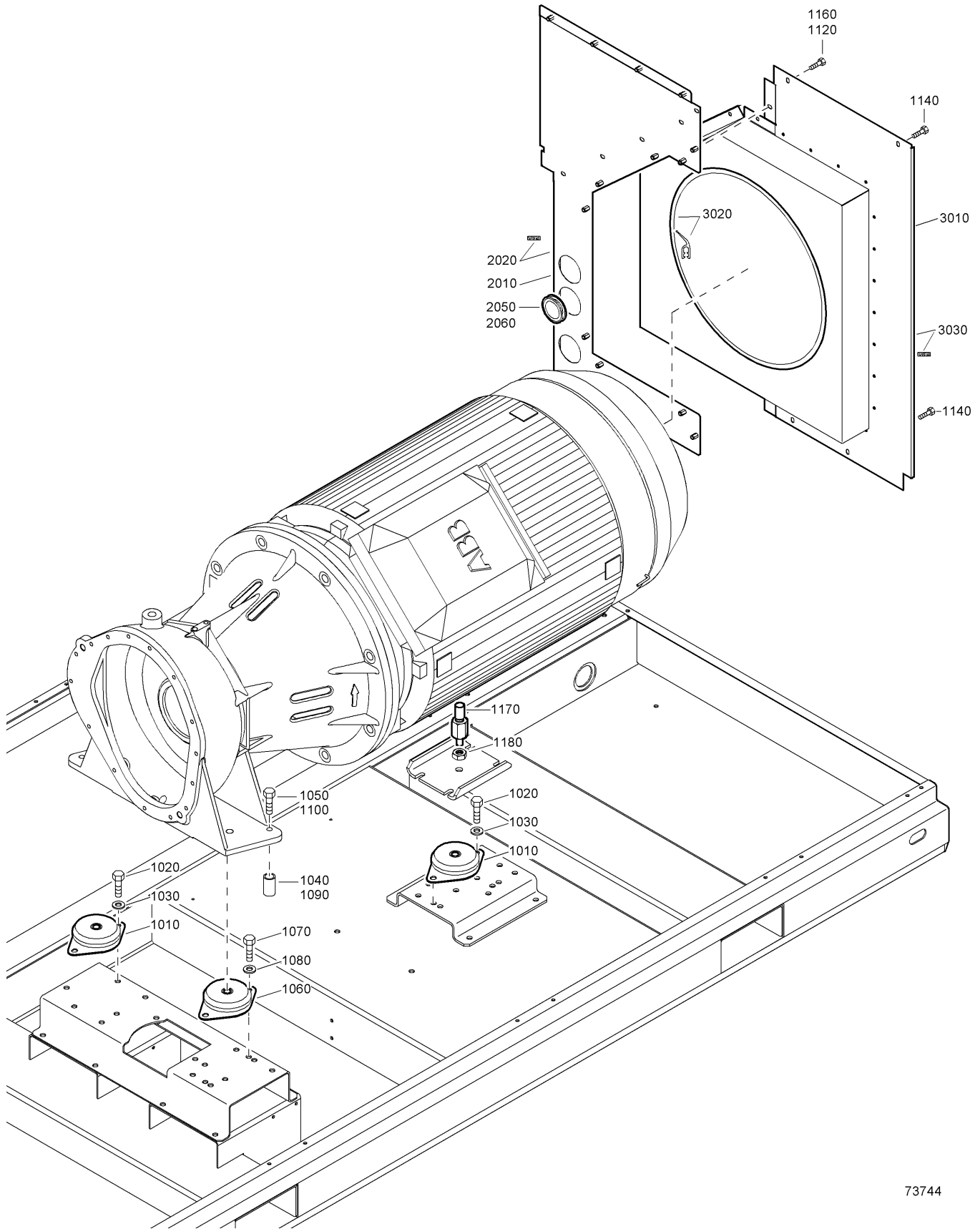
73743

## Motor and coupling

44

Ref.	Part number	Qty	Name	Remarks	Ref.	Part number	Qty	Name	Remarks
1070	0301 2358 00	4	Washer		1180	1621 0478 00	1	Label	
1100	1621 6963 00	1	Support		<b>1</b>	<b>Coupling</b>			
1150	1079 9901 29	1	Label		2010	1623 0374 00	1	Coupling element	
1160	1088 1001 04	1	Warning mark		2020	1623 0375 00	1	Absorber	
1175	1503 0786 00	1	Rotation arrow		2030	1623 0376 00	1	Coupling drive	
1180	1621 0478 00	1	Label					<b>GA 110+</b>	
		<b>1</b>	<b>Coupling</b>					<b>GA 132</b>	
2010	1623 0377 00	1	Coupling element					<b>GA 132+</b>	
2020	1623 0378 00	1	Absorber					<b>575V CSA-UL 60Hz</b>	
2030	1623 0379 00	1	Coupling drive		1010	1080 4357 12	1	Motor	
			<b>GA 132+</b>		1020	0694 5281 13	2	Cable lug	
			<b>GA 160</b>		1030	0694 5281 21	6	Cable lug	
			<b>GA 160+</b>		1050	1623 0521 00	1	Support	
			<b>500V IEC 50Hz</b>		1060	0147 1401 03	4	Bolt	
			<b>525V IEC 50Hz</b>		1070	0301 2358 00	4	Washer	
1010	1080 4203 18	1	Motor		1100	1621 6963 00	1	Support	
1020	0694 5281 13	2	Cable lug		1150	1079 9901 29	1	Label	
1030	0694 5281 24	6	Cable lug		1160	1088 1001 04	1	Warning mark	
1050	1623 0454 00	1	Support motor		1175	1503 0786 00	1	Rotation arrow	
1060	0147 1401 03	4	Bolt		1180	1621 0478 00	1	Label	
1070	0301 2358 00	4	Washer					<b>1</b>	<b>Coupling</b>
1100	1621 6963 00	1	Support		2010	1623 0377 00	1	Coupling element	
1150	1079 9901 29	1	Label		2020	1623 0378 00	1	Absorber	
1160	1088 1001 04	1	Warning mark		2030	1623 0379 00	1	Coupling drive	
1175	1503 0786 00	1	Rotation arrow					<b>GA 132+</b>	
1180	1621 0478 00	1	Label					<b>GA 160</b>	
		<b>1</b>	<b>Coupling</b>					<b>GA 160+</b>	
2010	1623 0374 00	1	Coupling element					<b>575V CSA-UL 60Hz</b>	
2020	1623 0375 00	1	Absorber		1010	1080 4148 22	1	Motor	
2030	1623 0376 00	1	Coupling drive		1020	0694 5281 13	2	Cable lug	
			<b>GA 132+</b>		1030	0694 5281 21	6	Cable lug	
			<b>GA 160</b>		1050	1623 0521 00	1	Support	
			<b>GA 160+</b>		1060	0147 1401 03	4	Bolt	
			<b>550V IEC 50Hz</b>		1070	0301 2358 00	4	Washer	
1010	1080 4203 18	1	Motor		1100	1621 6963 00	1	Support	
1020	0694 5281 13	2	Cable lug		1150	1079 9901 29	1	Label	
1030	0694 5281 24	6	Cable lug		1160	1088 1001 04	1	Warning mark	
1050	1623 0454 00	1	Support		1175	1503 0786 00	1	Rotation arrow	
1060	0147 1401 03	4	Bolt		1180	1621 0478 00	1	Label	
1070	0301 2358 00	4	Washer					<b>1</b>	<b>Coupling</b>
1100	1621 6963 00	1	Support		2010	1623 0377 00	1	Coupling element	
1150	1079 9901 29	1	Label		2020	1623 0378 00	1	Absorber	
1160	1088 1001 04	1	Warning mark		2030	1623 0379 00	1	Coupling drive	
1175	1503 0786 00	1	Rotation arrow						

# 45



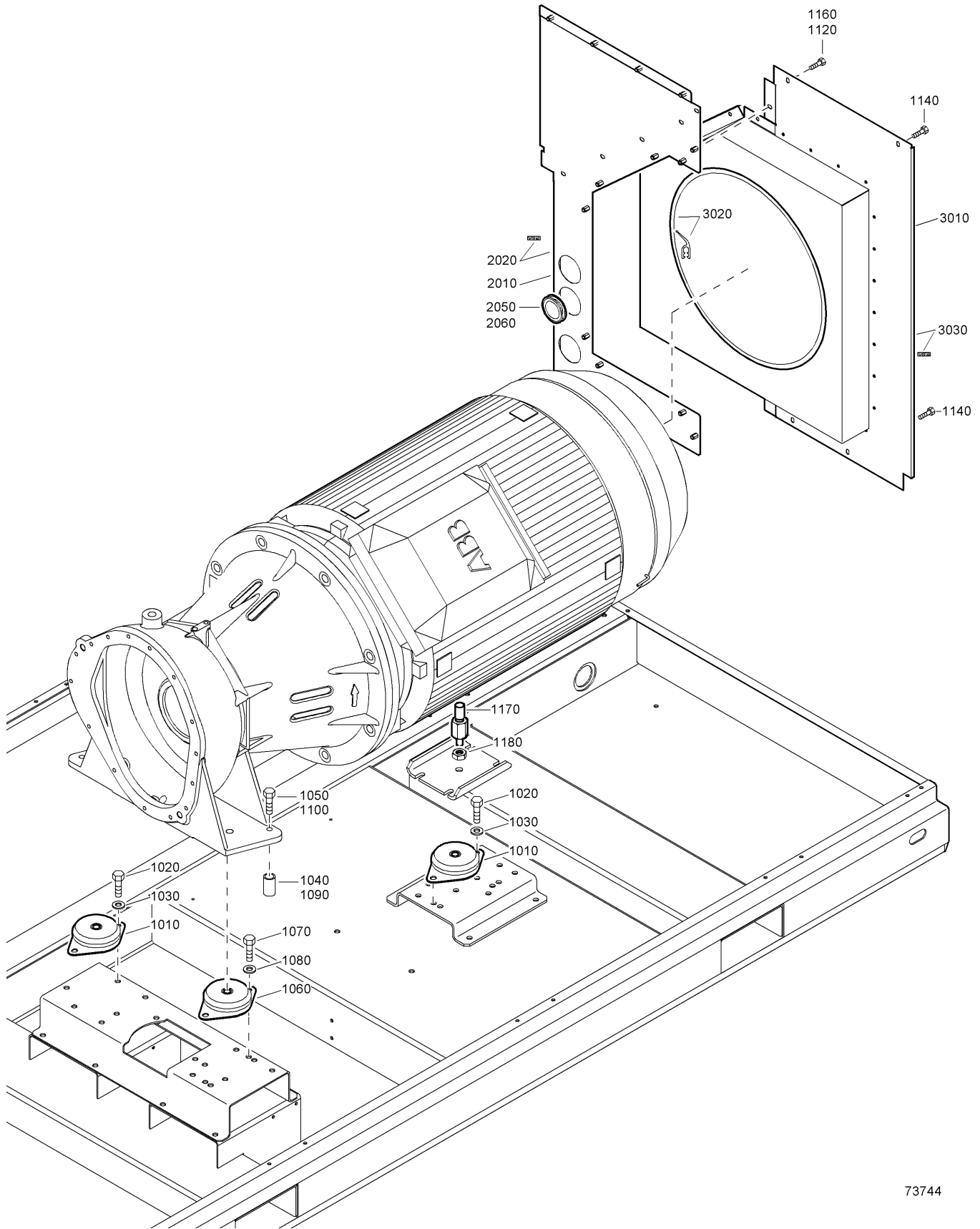
73744

73744

## Motor supports - Aircooled

Ref.	Partnumber	Qty	Name	Remarks	Ref.	Partnumber	Qty	Name	Remarks
			<b>GA 90+</b>		1060	1619 5189 01	1	Rubber buffer	
			<b>IEC</b>		1070	0147 1401 03	2	Bolt	
			<b>5.2 bar(e)</b>		1080	0301 2358 00	2	Washer	
			<b>5.5 bar(e)</b>		1120	0147 1963 08	11	Hexagon bolt	
			<b>6.9 bar(e)</b>		1140	0147 1963 08	11	Hexagon bolt	
			<b>7.5 bar(e)</b>		1170	1623 0208 00	1	Stud	
			<b>8.5 bar(e)</b>		1180	0261 1091 04	1	Nut	
			<b>8.6 bar(e)</b>			<b>1623 1592 80</b>	<b>1</b>	<b>Baffle</b>	
1010	1619 5189 01	2	Rubber buffer		2010		• 1	Baffle	
1020	0147 1401 03	4	Bolt		2020	1619 5188 00	• AR	Seal	
1030	0301 2358 00	4	Washer		2050	1088 0803 10	• 3	Grommet	
1060	1619 5318 02	1	Antivibr.pad.		2060	1088 0803 08	• 1	Grommet	
1070	0147 1401 03	2	Bolt			<b>1623 0909 80</b>	<b>1</b>	<b>Baffle</b>	
1080	0301 2358 00	2	Washer		3010		• 1	Baffle	
1120	0147 1963 08	11	Hexagon bolt		3020	1619 6449 00	• AR	Seal	
1140	0147 1963 08	11	Hexagon bolt		3030	1619 5188 00	• AR	Seal	
1170	1623 0209 00	1	Stud					<b>GA 90+</b>	
1180	0261 1091 04	1	Nut					<b>GA 110</b>	
	<b>1623 1592 80</b>	<b>1</b>	<b>Baffle</b>					<b>GA 110+</b>	
2010		• 1	Baffle					<b>IEC</b>	
2020	1619 5188 00	• AR	Seal					<b>13.8 bar(e)</b>	
2050	1088 0803 10	• 3	Grommet					<b>14 bar(e)</b>	
2060	1088 0803 08	• 1	Grommet		1010	3175 1782 00	2	Pad anti vibr.	
	<b>1623 0909 80</b>	<b>1</b>	<b>Baffle</b>		1020	0147 1401 03	4	Bolt	
3010		• 1	Baffle		1030	0301 2358 00	4	Washer	
	0129 3108 00	•• 15	Blind rivet		1060	1619 5189 01	1	Rubber buffer	
3020	1619 6449 00	• AR	Seal		1070	0147 1401 03	2	Bolt	
3030	1619 5188 00	• AR	Seal		1080	0301 2358 00	2	Washer	
			<b>10 bar(e)</b>		1120	0147 1963 08	11	Hexagon bolt	
			<b>10.4 bar(e)</b>		1140	0147 1963 08	11	Hexagon bolt	
			<b>13.8 bar(e)</b>		1170	1623 0208 00	1	Stud	
			<b>14 bar(e)</b>		1180	0261 1091 04	1	Nut	
1010	3175 1782 00	2	Pad anti vibr.			<b>1623 1592 80</b>	<b>1</b>	<b>Baffle</b>	
1020	0147 1401 03	4	Bolt		2010		• 1	Baffle	
1030	0301 2358 00	4	Washer		2020	1619 5188 00	• AR	Seal	
1060	1619 5189 01	1	Rubber buffer		2050	1088 0803 10	• 3	Grommet	
1070	0147 1401 03	2	Bolt		2060	1088 0803 08	• 1	Grommet	
1080	0301 2358 00	2	Washer			<b>1623 0909 80</b>	<b>1</b>	<b>Baffle</b>	
1120	0147 1963 08	11	Hexagon bolt		3010		• 1	Baffle	
1140	0147 1963 08	11	Hexagon bolt		3020	1619 6449 00	• AR	Seal	
1170	1623 0208 00	1	Stud		3030	1619 5188 00	• AR	Seal	
1180	0261 1091 04	1	Nut					<b>GA 110+</b>	
	<b>1623 1592 80</b>	<b>1</b>	<b>Baffle</b>					<b>GA 132+</b>	
2010		• 1	Baffle					<b>GA 160</b>	
2020	1619 5188 00	• AR	Seal					<b>GA 160+</b>	
2050	1088 0803 10	• 3	Grommet					<b>IEC</b>	
2060	1088 0803 08	• 1	Grommet					<b>5.2 bar(e)</b>	
	<b>1623 0909 80</b>	<b>1</b>	<b>Baffle</b>					<b>5.5 bar(e)</b>	
3010		• 1	Baffle					<b>6.9 bar(e)</b>	
3020	1619 6449 00	• AR	Seal					<b>7.5 bar(e)</b>	
3030	1619 5188 00	• AR	Seal					<b>8.5 bar(e)</b>	
			<b>GA 90+</b>					<b>8.6 bar(e)</b>	
			<b>GA 110+</b>					<b>10 bar(e)</b>	
			<b>IEC</b>					<b>10.4 bar(e)</b>	
			<b>5.2 bar(e)</b>					<b>13.8 bar(e)</b>	
			<b>5.5 bar(e)</b>					<b>14 bar(e)</b>	
			<b>6.9 bar(e)</b>		1010	1619 5189 01	2	Rubber buffer	
			<b>7.5 bar(e)</b>		1020	0147 1401 03	4	Bolt	
			<b>8.5 bar(e)</b>		1030	0301 2358 00	4	Washer	
			<b>8.6 bar(e)</b>		1040	1623 1357 00	2	Spacer	
			<b>10 bar(e)</b>		1050	0147 1411 03	2	Bolt	
			<b>10.4 bar(e)</b>		1060	1619 5189 01	1	Rubber buffer	
1010	1619 5189 01	2	Rubber buffer		1070	0147 1401 03	2	Bolt	
1020	0147 1401 03	4	Bolt		1080	0301 2358 00	2	Washer	
1030	0301 2358 00	4	Washer		1090	1623 1357 00	2	Spacer	

# 45



73744

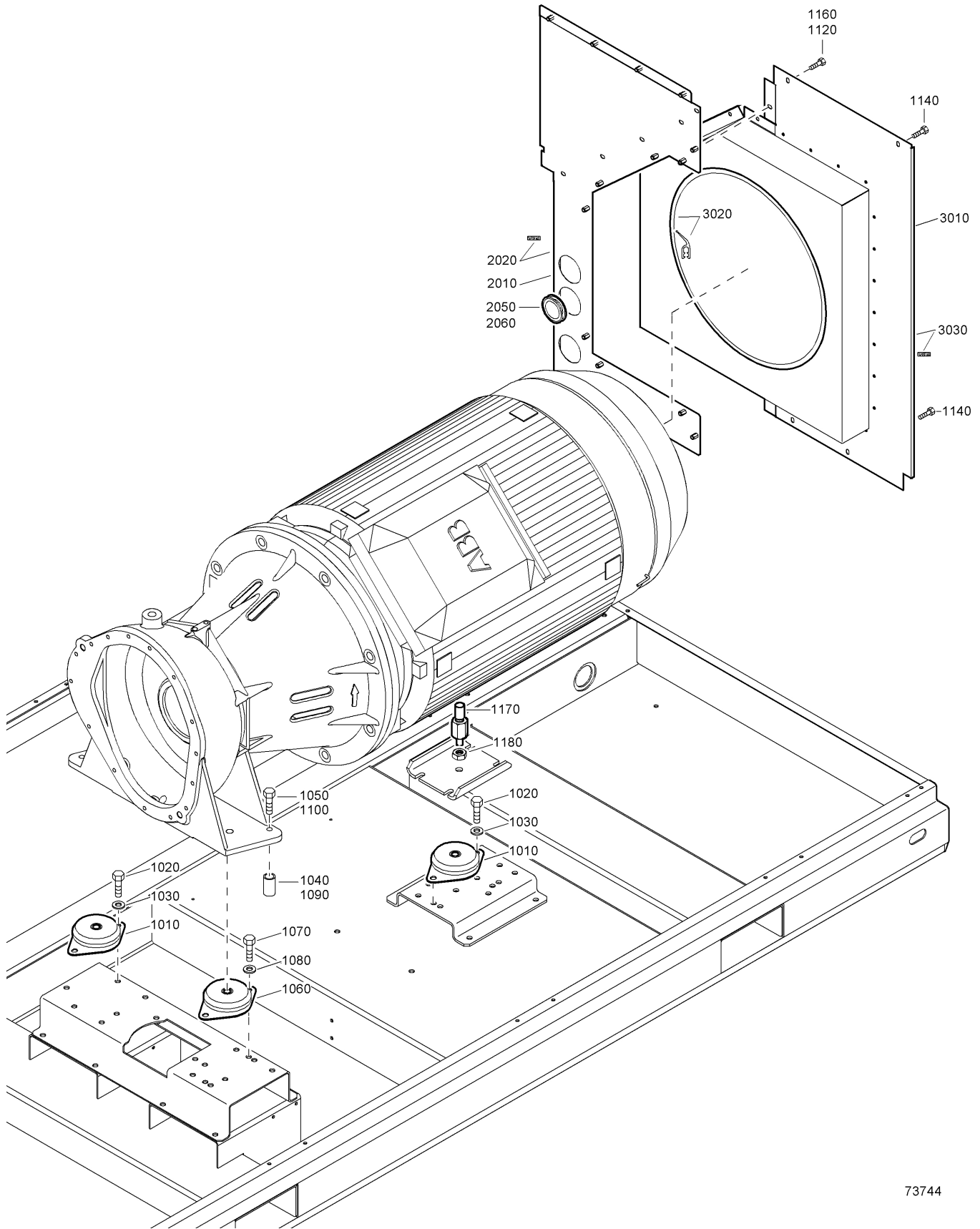
73744



## Motor supports - Aircooled

Ref.	Partnumber	Qty	Name	Remarks	Ref.	Partnumber	Qty	Name	Remarks
1100	0147 1409 03	2	Bolt		1180	0261 1091 04	1	Nut	
1120	0147 1963 08	11	Hexagon bolt			<b>1623 1592 80</b>	<b>1</b>	<b>Baffle</b>	
1140	0147 1963 08	11	Hexagon bolt		2010		• 1	Baffle	
1160	0147 1963 08	2	Hexagon bolt		2020	1619 5188 00	• AR	Seal	
1170	1623 0210 00	1	Stud		2050	1088 0803 10	• 3	Grommet	
1180	0261 1091 04	1	Nut		2060	1088 0803 08	• 1	Grommet	
	<b>1623 1592 80</b>	<b>1</b>	<b>Baffle</b>			<b>1623 0907 80</b>	<b>1</b>	<b>Baffle</b>	
2010		• 1	Baffle		3010		• 1	Baffle	
2020	1619 5188 00	• AR	Seal		3020	1619 6449 00	• AR	Seal	
2050	1088 0803 10	• 3	Grommet		3030	1619 5188 00	• AR	Seal	
2060	1088 0803 08	• 1	Grommet					<b>GA 90+</b>	
	<b>1623 2231 80</b>	<b>1</b>	<b>Baffle</b>					<b>GA 110</b>	
3010		• 1	Baffle					<b>GA 110+</b>	
3020	1619 6449 00	• AR	Seal					<b>CSA-UL</b>	
3030	1619 5188 00	• AR	Seal					<b>10 bar(e)</b>	
			<b>GA 110+</b>					<b>10.4 bar(e)</b>	
			<b>GA 132</b>					<b>13.8 bar(e)</b>	
			<b>GA 132+</b>					<b>14 bar(e)</b>	
			<b>IEC</b>		1010	3175 1782 00	2	Pad anti vibr.	
			<b>13.8 bar(e)</b>		1020	0147 1401 03	4	Bolt	
			<b>14 bar(e)</b>		1030	0301 2358 00	4	Washer	
1010	3175 1782 00	2	Pad anti vibration		1060	1619 5189 01	1	Rubber buffer	
1020	0147 1401 03	4	Bolt		1070	0147 1401 03	2	Bolt	
1030	0301 2358 00	4	Washer		1080	0301 2358 00	2	Washer	
1040	1623 0953 00	2	Spacer		1120	0147 1963 08	11	Hexagon bolt	
1050	0147 1411 03	2	Bolt		1140	0147 1963 08	11	Hexagon bolt	
1060	1619 5189 01	1	Rubber buffer		1170	1623 0208 00	1	Stud	
1070	0147 1401 03	2	Bolt		1180	0261 1091 04	1	Nut	
1080	0301 2358 00	2	Washer			<b>1623 1592 80</b>	<b>1</b>	<b>Baffle</b>	
1090	1623 0953 00	2	Spacer		2010		• 1	Baffle	
1100	0147 1409 03	2	Bolt		2020	1619 5188 00	• AR	Seal	
1120	0147 1963 08	11	Hexagon bolt		2050	1088 0803 10	• 3	Grommet	
1140	0147 1963 08	11	Hexagon bolt		2060	1088 0803 08	• 1	Grommet	
1160	0147 1963 08	2	Hexagon bolt			<b>1623 0907 80</b>	<b>1</b>	<b>Baffle</b>	
1170	1623 0210 00	1	Stud		3010		• 1	Baffle	
1180	0261 1091 04	1	Nut			0129 3108 00	•• 15	Blind rivet	
	<b>1623 1592 80</b>	<b>1</b>	<b>Baffle</b>		3020	1619 6449 00	• AR	Seal	
2010		• 1	Baffle		3030	1619 5188 00	• AR	Seal	
2020	1619 5188 00	• AR	Seal					<b>GA 110+</b>	
2050	1088 0803 10	• 3	Grommet					<b>GA 132+</b>	
2060	1088 0803 08	• 1	Grommet					<b>CSA-UL</b>	
	<b>1623 2231 80</b>	<b>1</b>	<b>Baffle</b>					<b>5.2 bar(e)</b>	
3010		• 1	Baffle					<b>5.5 bar(e)</b>	
3020	1619 6449 00	• AR	Seal					<b>7.5 bar(e)</b>	
3030	1619 5188 00	• AR	Seal		1010	1619 5189 01	2	Rubber buffer	
			<b>GA 90+</b>		1020	0147 1401 03	4	Bolt	
			<b>GA 110+</b>		1030	0301 2358 00	4	Washer	
			<b>CSA-UL</b>		1040	1623 0952 00	2	Spacer	
			<b>5.2 bar(e)</b>		1050	0147 1411 03	2	Bolt	
			<b>5.5 bar(e)</b>		1060	1619 5318 01	1	Rubber buffer	
			<b>6.9 bar(e)</b>		1070	0147 1401 03	2	Bolt	
			<b>7.5 bar(e)</b>		1080	0301 2358 00	2	Washer	
			<b>8.5 bar(e)</b>		1090	1621 6977 00	2	Spacer	
			<b>8.6 bar(e)</b>		1100	0147 1409 03	2	Bolt	
			<b>10.4 bar(e)</b>		1120	0147 1963 08	11	Hexagon bolt	
			<b>10 bar(e)</b>		1140	0147 1963 08	11	Hexagon bolt	
1010	1619 5189 01	2	Rubber buffer		1170	1623 0739 00	1	Stud	
1020	0147 1401 03	4	Bolt		1180	0261 1091 04	1	Nut	
1030	0301 2358 00	4	Washer			<b>1623 1592 80</b>	<b>1</b>	<b>Baffle</b>	
1060	1619 5318 01	1	Rubber buffer		2010		• 1	Baffle	
1070	0147 1401 03	2	Bolt		2020	1619 5188 00	• AR	Seal	
1080	0301 2358 00	2	Washer		2050	1088 0803 10	• 3	Grommet	
1120	0147 1963 08	11	Hexagon bolt		2060	1088 0803 08	• 1	Grommet	
1140	0147 1963 08	11	Hexagon bolt			<b>1623 0908 80</b>	<b>1</b>	<b>Baffle</b>	
1170	1623 0208 00	1	Stud		3010		• 1	Baffle	

# 45



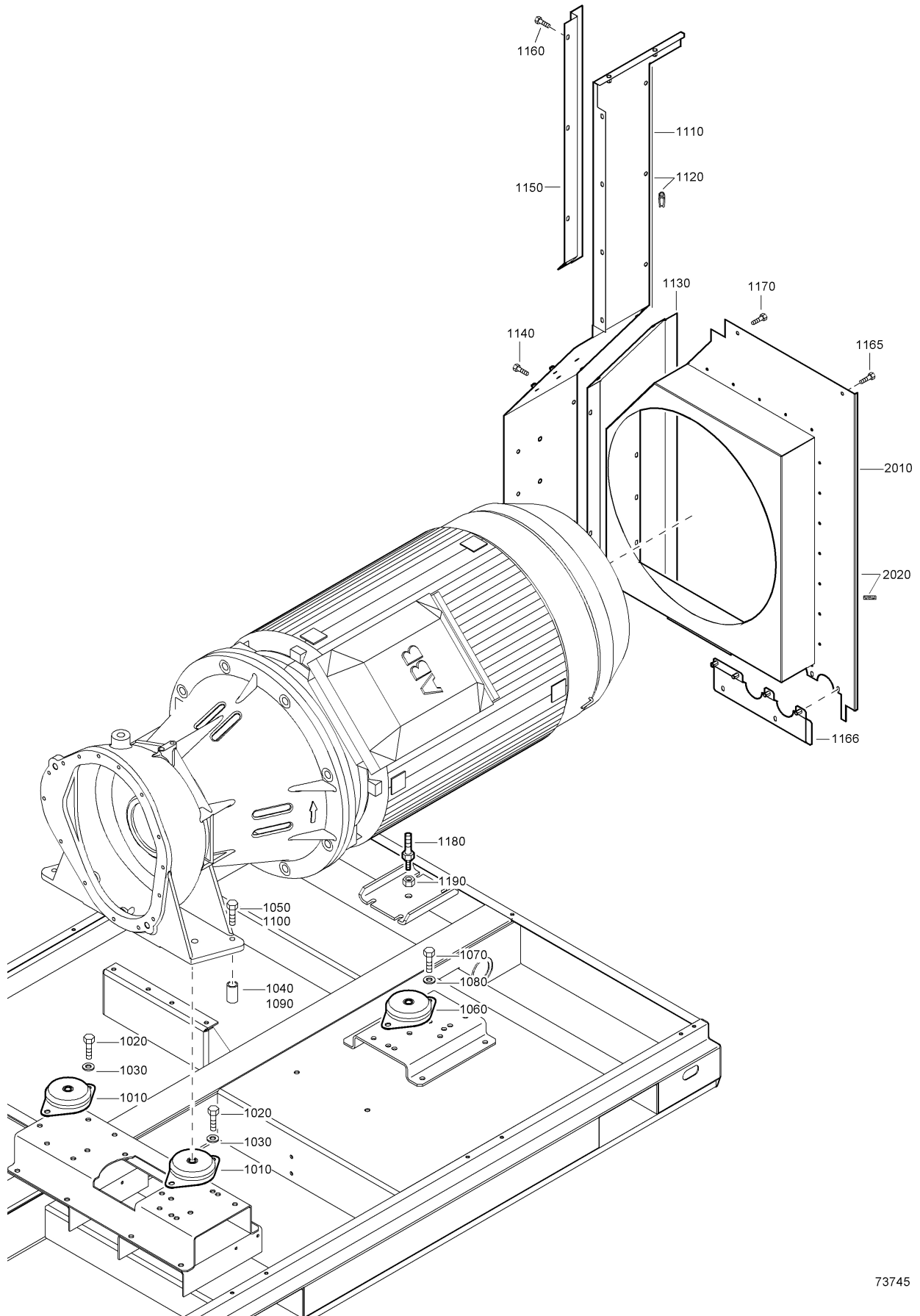
73744

73744

## Motor supports - Aircooled

Ref.	Partnumber	Qty	Name	Remarks	Ref.	Partnumber	Qty	Name	Remarks
3020	1619 6449 00	•	AR Seal					<b>GA 160+</b>	
3030	1619 5188 00	•	AR Seal					<b>CSA-UL</b>	
			<b>6.9 bar(e)</b>					<b>5.5 bar(e)</b>	
			<b>8.5 bar(e)</b>					<b>7.5 bar(e)</b>	
			<b>8.6 bar(e)</b>					<b>8.5 bar(e)</b>	
			<b>10 bar(e)</b>					<b>10 bar(e)</b>	
			<b>10.4 bar(e)</b>						
1010	1619 5189 01	2	Rubber buffer		1010	1619 5189 01	2	Rubber buffer	
1020	0147 1401 03	4	Bolt		1020	0147 1401 03	4	Bolt	
1030	0301 2358 00	4	Washer		1030	0301 2358 00	4	Washer	
1040	1623 1357 00	2	Spacer		1040	1623 0952 00	2	Spacer	
1050	0147 1411 03	2	Bolt		1050	0147 1411 03	2	Bolt	
1060	1619 5318 01	1	Rubber buffer		1060	1619 5318 01	1	Rubber buffer	
1070	0147 1401 03	2	Bolt		1070	0147 1401 03	2	Bolt	
1080	0301 2358 00	2	Washer		1080	0301 2358 00	2	Washer	
1090	1621 6977 00	2	Spacer		1090	1621 6977 00	2	Spacer	
1100	0147 1409 03	2	Bolt		1100	0147 1409 03	2	Bolt	
1120	0147 1963 08	11	Hexagon bolt		1120	0147 1963 08	11	Hexagon bolt	
1140	0147 1963 08	11	Hexagon bolt		1140	0147 1963 08	11	Hexagon bolt	
1170	1623 0739 00	1	Stud		1170	1623 0739 00	1	Stud	
1180	0261 1091 04	1	Nut		1180	0261 1091 04	1	Nut	
	<b>1623 1592 80</b>	<b>1</b>	<b>Baffle</b>			<b>1623 1592 80</b>	<b>1</b>	<b>Baffle</b>	
2010		•	1 Baffle		2010		•	1 Baffle	
2020	1619 5188 00	•	AR Seal		2020	1619 5188 00	•	AR Seal	
2050	1088 0803 10	•	3 Grommet		2050	1088 0803 10	•	3 Grommet	
2060	1088 0803 08	•	1 Grommet		2060	1088 0803 08	•	1 Grommet	
	<b>1623 0907 80</b>	<b>1</b>	<b>Baffle</b>			<b>1623 0908 80</b>	<b>1</b>	<b>Baffle</b>	
3010		•	1 Baffle		3010		•	1 Baffle	
3020	1619 6449 00	•	AR Seal		3020	1619 6449 00	•	AR Seal	
3030	1619 5188 00	•	AR Seal		3030	1619 5188 00	•	AR Seal	
			<b>GA 110+</b>					<b>CSA-UL</b>	
			<b>GA 132</b>					<b>5.2 bar(e)</b>	
			<b>GA 132+</b>					<b>6.9bar(e)</b>	
			<b>CSA-UL</b>					<b>8.6bar(e)</b>	
			<b>13.8 bar(e)</b>					<b>10.4bar(e)</b>	
			<b>14 bar(e)</b>					<b>13.8bar(e)</b>	
			<b>14bar(e)</b>					<b>14bar(e)</b>	
1010	3175 1782 00	2	Pad anti vibr.		1010	1619 5189 01	2	Rubber buffer	
1020	0147 1401 03	4	Bolt		1020	0147 1401 03	4	Bolt	
1030	0301 2358 00	4	Washer		1030	0301 2358 00	4	Washer	
1040	1623 1357 00	2	Spacer		1040	1623 1357 00	2	Spacer	
1050	0147 1411 03	2	Bolt		1050	0147 1411 03	2	Bolt	
1060	1619 5189 01	1	Rubber buffer		1060	1619 5318 01	1	Rubber buffer	
1070	0147 1401 03	2	Bolt		1070	0147 1401 03	2	Bolt	
1080	0301 2358 00	2	Washer		1080	0301 2358 00	2	Washer	
1090	1623 0953 00	2	Spacer		1090	1621 6977 00	2	Spacer	
1100	0147 1409 03	2	Bolt		1100	0147 1409 03	2	Bolt	
1120	0147 1963 08	11	Hexagon bolt		1120	0147 1963 08	11	Hexagon bolt	
1140	0147 1963 08	11	Hexagon bolt		1140	0147 1963 08	11	Hexagon bolt	
1170	1623 0739 00	1	Stud		1170	1623 0739 00	1	Stud	
1180	0261 1091 04	1	Nut		1180	0261 1091 04	1	Nut	
	<b>1623 1592 80</b>	<b>1</b>	<b>Baffle</b>			<b>1623 1592 80</b>	<b>1</b>	<b>Baffle</b>	
2010		•	1 Baffle		2010		•	1 Baffle	
2020	1619 5188 00	•	AR Seal		2020	1619 5188 00	•	AR Seal	
2050	1088 0803 10	•	3 Grommet		2050	1088 0803 10	•	3 Grommet	
2060	1088 0803 08	•	1 Grommet		2060	1088 0803 08	•	1 Grommet	
	<b>1623 0907 80</b>	<b>1</b>	<b>Baffle</b>			<b>1623 0908 80</b>	<b>1</b>	<b>Baffle</b>	
3010		•	1 Baffle		3010		•	1 Baffle	
3020	1619 6449 00	•	AR Seal		3020	1619 6449 00	•	AR Seal	
3030	1619 5188 00	•	AR Seal		3030	1619 5188 00	•	AR Seal	
			<b>GA 132+</b>					<b>GA 160</b>	
			<b>GA 160</b>						

# 46



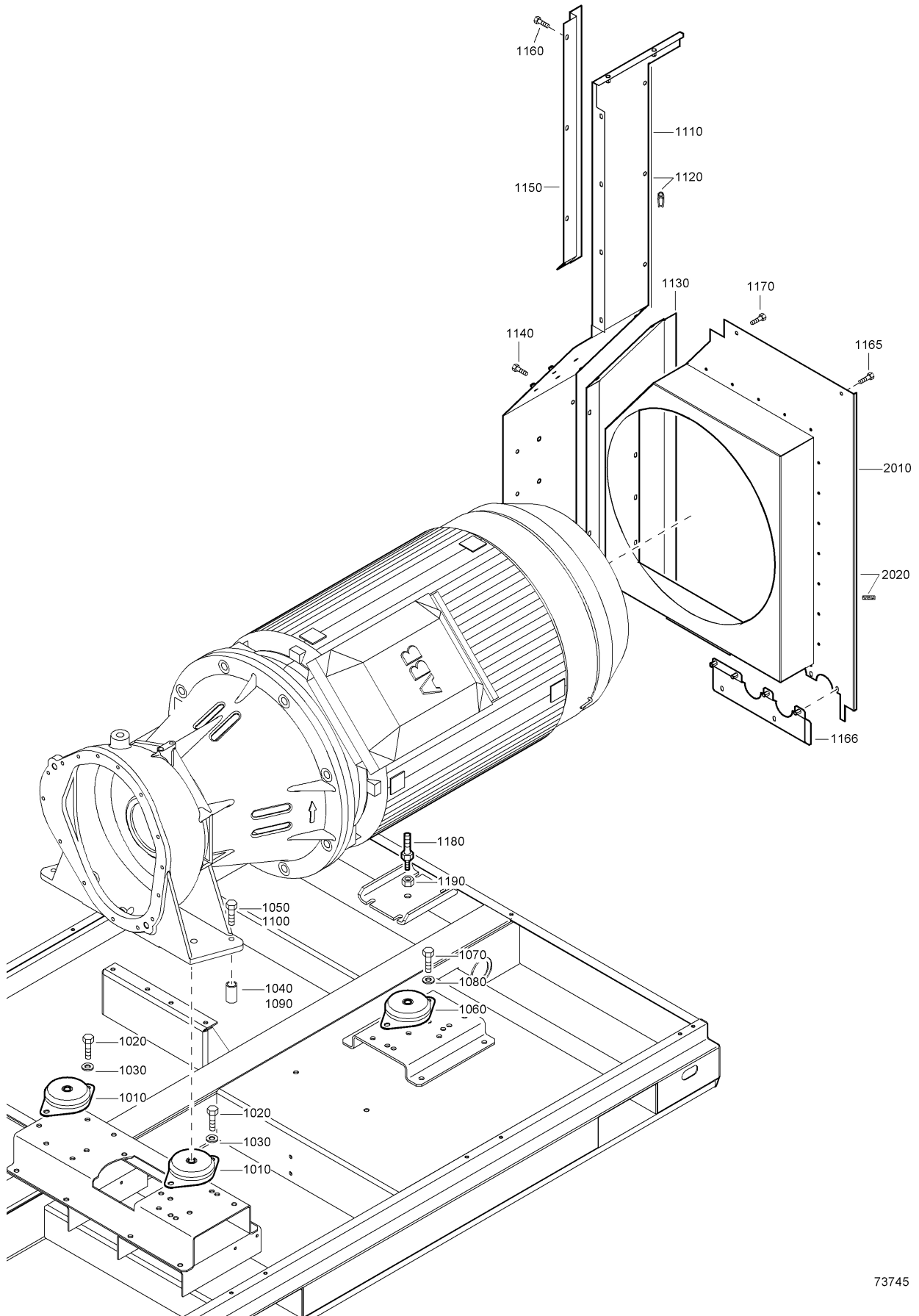
73745

73745

## Motor supports - Watercooled

Ref.	Partnumber	Qty	Name	Remarks	Ref.	Part number	Qty	Name	Remarks
			<b>Water cooled</b>		1080	0301 2358 00	2	Washer	
			<b>GA 90+</b>		1110	<b>1623 1175 00</b>	<b>1</b>	<b>Baffle</b>	
			<b>IEC</b>			0298 1000 25	• 15	Blind rivet nut	
			<b>5.2 bar(e)</b>			0298 1000 21	• 5	Nut rivet	
			<b>5.5 bar(e)</b>		1120	1202 6584 00	AR	Seal	
			<b>6.9 bar(e)</b>		1130	1623 1169 00	1	Baffle	
			<b>7.5 bar(e)</b>		1140	0147 1963 08	8	Hexagon bolt	
			<b>8.5 bar(e)</b>		1150	1623 1171 00	1	Baffle	
			<b>8.6 bar(e)</b>		1160	0147 1963 08	9	Hexagon bolt	
1010	1619 5189 01	2	Rubber buffer		1170	0147 1963 08	10	Hexagon bolt	
1020	0147 1401 03	4	Bolt		1180	1623 0208 00	1	Stud	
1030	0301 2358 00	4	Washer		1190	0261 1091 04	1	Nut	
1060	1619 5318 02	1	Antivibr.pad.			<b>1623 0912 80</b>	<b>1</b>	<b>Baffle</b>	
1070	0147 1401 03	2	Bolt		2010		• 1	Baffle	
1080	0301 2358 00	2	Washer		2020	1619 6449 00	• AR	Seal	
1110	1623 1175 00	1	Baffle					<b>GA 90+</b>	
1120	1202 6584 00	AR	Seal					<b>GA 110</b>	
1130	1623 1169 00	1	Baffle					<b>GA 110+</b>	
1140	0147 1963 08	8	Hexagon bolt					<b>IEC</b>	
1150	1623 1171 00	1	Baffle					<b>13.8 bar(e)</b>	
1160	0147 1963 08	4	Hexagon bolt					<b>14 bar(e)</b>	
1170	0147 1963 08	10	Hexagon bolt		1010	3175 1782 00	2	Pad anti vibr.	
1180	1623 0209 00	1	Stud		1020	0147 1401 03	4	Bolt	
1190	0261 1091 04	1	Nut		1030	0301 2358 00	4	Washer	
	<b>1623 0912 80</b>	<b>1</b>	<b>Baffle</b>		1060	1619 5189 01	1	Rubber buffer	
2010		1	Baffle		1070	0147 1401 03	2	Bolt	
2020	1619 6449 00	• AR	Seal		1080	0301 2358 00	2	Washer	
			<b>10 bar(e)</b>		1110	<b>1623 1175 00</b>	<b>1</b>	<b>Baffle</b>	
			<b>10.4 bar(e)</b>			0298 1000 25	• 15	Blind rivet nut	
			<b>13.8 bar(e)</b>			0298 1000 21	• 5	Nut rivet	
			<b>14 bar(e)</b>		1120	1202 6584 00	AR	Seal	
1010	3175 1782 00	2	Anti vibration pad		1130	1623 1169 00	1	Baffle	
1020	0147 1401 03	4	Bolt		1140	0147 1963 08	8	Hexagon bolt	
1030	0301 2358 00	4	Washer		1150	1623 1171 00	1	Baffle	
1060	1619 5189 01	1	Rubber buffer		1160	0147 1963 08	9	Hexagon bolt	
1070	0147 1401 03	2	Bolt		1170	0147 1963 08	10	Hexagon bolt	
1080	0301 2358 00	2	Washer		1180	1623 0208 00	1	Stud	
1110	1623 1175 00	1	Baffle		1190	0261 1091 04	1	Nut	
1120	1202 6584 00	AR	Seal			<b>1623 0912 80</b>	<b>1</b>	<b>Baffle</b>	
1130	1623 1169 00	1	Baffle		2010		• 1	Baffle	
1140	0147 1963 08	8	Hexagon bolt		2020	1619 6449 00	• AR	Seal	
1150	1623 1171 00	1	Baffle					<b>GA 110+</b>	
1160	0147 1963 08	9	Hexagon bolt					<b>GA 132+</b>	
1170	0147 1963 08	10	Hexagon bolt					<b>GA 160</b>	
1180	1623 0208 00	1	Stud					<b>GA 160+</b>	
1190	0261 1091 04	1	Nut					<b>IEC</b>	
	<b>1623 0912 80</b>	<b>1</b>	<b>Baffle</b>					<b>5.2 bar(e)</b>	
2010		• 1	Baffle					<b>5.5 bar(e)</b>	
2020	1619 6449 00	• AR	Seal					<b>6.9 bar(e)</b>	
			<b>GA 90+</b>					<b>7.5 bar(e)</b>	
			<b>GA 110+</b>					<b>8.5 bar(e)</b>	
			<b>IEC</b>					<b>8.6 bar(e)</b>	
			<b>5.2 bar(e)</b>					<b>10 bar(e)</b>	
			<b>5.5 bar(e)</b>					<b>10.4 bar(e)</b>	
			<b>6.9 bar(e)</b>					<b>13.8 bar(e)</b>	
			<b>7.5 bar(e)</b>					<b>14 bar(e)</b>	
			<b>8.5 bar(e)</b>		1010	1619 5189 01	2	Rubber buffer	
			<b>8.6 bar(e)</b>		1020	0147 1401 03	4	Bolt	
			<b>10 bar(e)</b>		1030	0301 2358 00	4	Washer	
			<b>10.4 bar(e)</b>		1040	1623 1357 00	2	Spacer	
1010	1619 5189 01	2	Rubber buffer		1050	0147 1411 03	2	Bolt	
1020	0147 1401 03	4	Bolt		1060	1619 5189 01	1	Rubber buffer	
1030	0301 2358 00	4	Washer		1070	0147 1401 03	2	Bolt	
1060	1619 5189 01	1	Rubber buffer		1080	0301 2358 00	2	Washer	
1070	0147 1401 03	2	Bolt		1090	1623 1357 00	2	Spacer	

# 46



73745

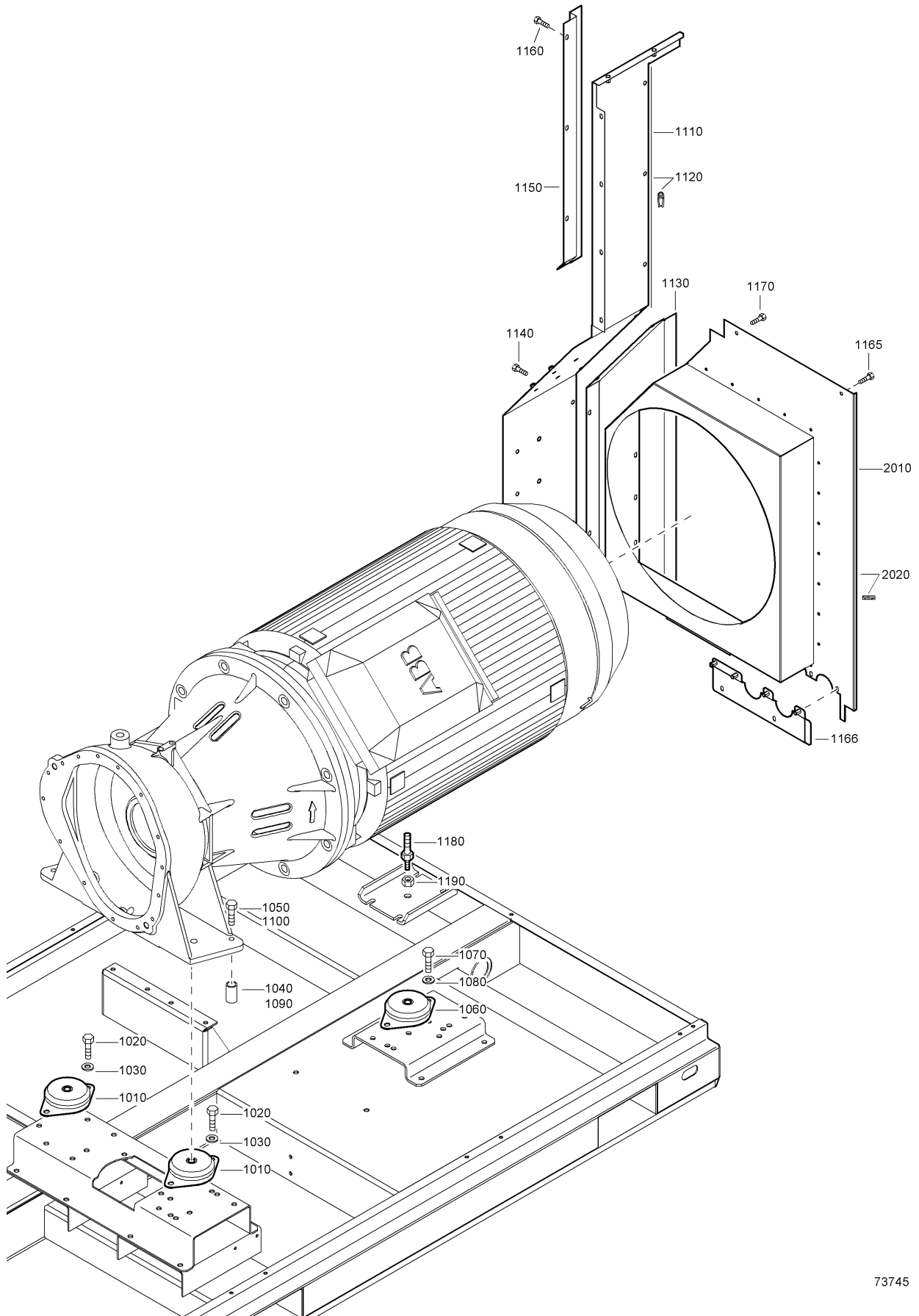
73745

## Motor supports - Watercooled

46

Ref.	Partnumber	Qty	Name	Remarks	Ref.	Partnumber	Qty	Name	Remarks
1100	0147 1409 03	2	Bolt		1120	1202 6584 00	AR	Seal	
1110	1623 1175 00	1	Baffle		1130	1623 1169 00	1	Baffle	
1120	1202 6584 00	AR	Seal		1140	0147 1963 08	8	Hexagon bolt	
1130	1623 1169 00	1	Baffle		1150	1623 1171 00	1	Baffle	
1140	0147 1963 08	8	Hexagon bolt		1160	0147 1963 08	9	Hexagon bolt	
1150	1623 1171 00	1	Baffle		1170	0147 1963 08	10	Hexagon bolt	
1160	0147 1963 08	9	Hexagon bolt		1180	1623 0208 00	1	Stud	
1165	0147 1963 08	8	Hexagon bolt		1190	0261 1091 04	1	Nut	
1166	1623 0797 00	1	Plate			<b>1623 0910 80</b>	<b>1</b>	<b>Baffle</b>	
1170	0147 1963 08	2	Hexagon bolt		2010		• 1	Baffle	
1180	1623 0210 00	1	Stud		2020	1619 6449 00	• AR	Seal	
1190	0261 1091 04	1	Nut					<b>GA 90+</b>	
	<b>1623 1653 80</b>	<b>1</b>	<b>Baffle</b>					<b>GA 110</b>	
2010		• 1	Baffle					<b>GA 110+</b>	
2020	1619 6449 00	• AR	Seal					<b>CSA-UL</b>	
			<b>GA 110+</b>					<b>10 bar(e)</b>	
			<b>GA 132</b>					<b>10.4 bar(e)</b>	
			<b>GA 132+</b>					<b>13.8 bar(e)</b>	
			<b>IEC</b>					<b>14 bar(e)</b>	
			<b>13.8 bar(e)</b>		1010	3175 1782 00	2	Anti vibration pad	
			<b>14b ar(e)</b>		1020	0147 1401 03	4	Bolt	
1010	3175 1782 00	2	Pad anti vibr.		1030	0301 2358 00	4	Washer	
1020	0147 1401 03	4	Bolt		1060	1619 5189 01	1	Rubber buffer	
1030	0301 2358 00	4	Washer		1070	0147 1401 03	2	Bolt	
1040	1623 0953 00	2	Spacer		1080	0301 2358 00	2	Washer	
1050	0147 1411 03	2	Bolt		1110	1623 1175 00	1	Baffle	
1060	1619 5189 01	1	Rubber buffer		1120	1202 6584 00	AR	Seal	
1070	0147 1401 03	2	Bolt		1130	1623 1169 00	1	Baffle	
1080	0301 2358 00	2	Washer		1140	0147 1963 08	8	Hexagon bolt	
1090	1623 0953 00	2	Spacer		1150	1623 1171 00	1	Baffle	
1100	0147 1409 03	2	Bolt		1160	0147 1963 08	9	Hexagon bolt	
1110	1623 1175 00	1	Baffle		1170	0147 1963 08	10	Hexagon bolt	
1120	1202 6584 00	AR	Seal		1180	1623 0208 00	1	Stud	
1130	1623 1169 00	1	Baffle		1190	0261 1091 04	1	Nut	
1140	0147 1963 08	8	Hexagon bolt			<b>1623 0910 80</b>	<b>1</b>	<b>Baffle</b>	
1150	1623 1171 00	1	Baffle		2010		• 1	Baffle	
1160	0147 1963 08	9	Hexagon bolt		2020	1619 6449 00	• AR	Seal	
1165	0147 1963 08	8	Hexagon bolt					<b>GA 110+</b>	
1166	1623 0797 00	1	Plate					<b>GA 132+</b>	
1170	0147 1963 08	2	Hexagon bolt					<b>CSA-UL</b>	
1180	1623 0210 00	1	Stud					<b>5.2 bar(e)</b>	
1190	0261 1091 04	1	Nut					<b>5.5 bar(e)</b>	
	<b>1623 1653 80</b>	<b>1</b>	<b>Baffle</b>					<b>7.5 bar(e)</b>	
2010		• 1	Baffle		1010	1619 5189 01	2	Rubber buffer	
2020	1619 6449 00	• AR	Seal		1020	0147 1401 03	4	Bolt	
			<b>GA 90+</b>		1030	0301 2358 00	4	Washer	
			<b>GA 110+</b>		1040	1623 0952 00	2	Spacer	
			<b>CSA-UL</b>		1050	0147 1411 03	2	Bolt	
			<b>5.2 bar(e)</b>		1060	1619 5318 01	1	Rubber buffer	
			<b>5.5 bar(e)</b>		1070	0147 1401 03	2	Bolt	
			<b>6.9 bar(e)</b>		1080	0301 2358 00	2	Washer	
			<b>7.5 bar(e)</b>		1090	1621 6977 00	2	Spacer	
			<b>8.5 bar(e)</b>		1100	0147 1409 03	2	Bolt	
			<b>8.6 bar(e)</b>		1110	1623 1175 00	1	Baffle	
1010	1619 5189 01	2	Rubber buffer		1120	1202 6584 00	AR	Seal	
1020	0147 1401 03	4	Bolt		1130	1623 1169 00	1	Baffle	
1030	0301 2358 00	4	Washer		1140	0147 1963 08	8	Hexagon bolt	
1060	1619 5318 01	1	Rubber buffer		1150	1623 1171 00	1	Baffle	
1070	0147 1401 03	2	Bolt		1160	0147 1963 08	9	Hexagon bolt	
1080	0301 2358 00	2	Washer		1165	0147 1963 08	10	Hexagon bolt	
1110	1623 1175 00	1	Baffle		1180	1623 0739 00	1	Stud	

# 46



73745

73745

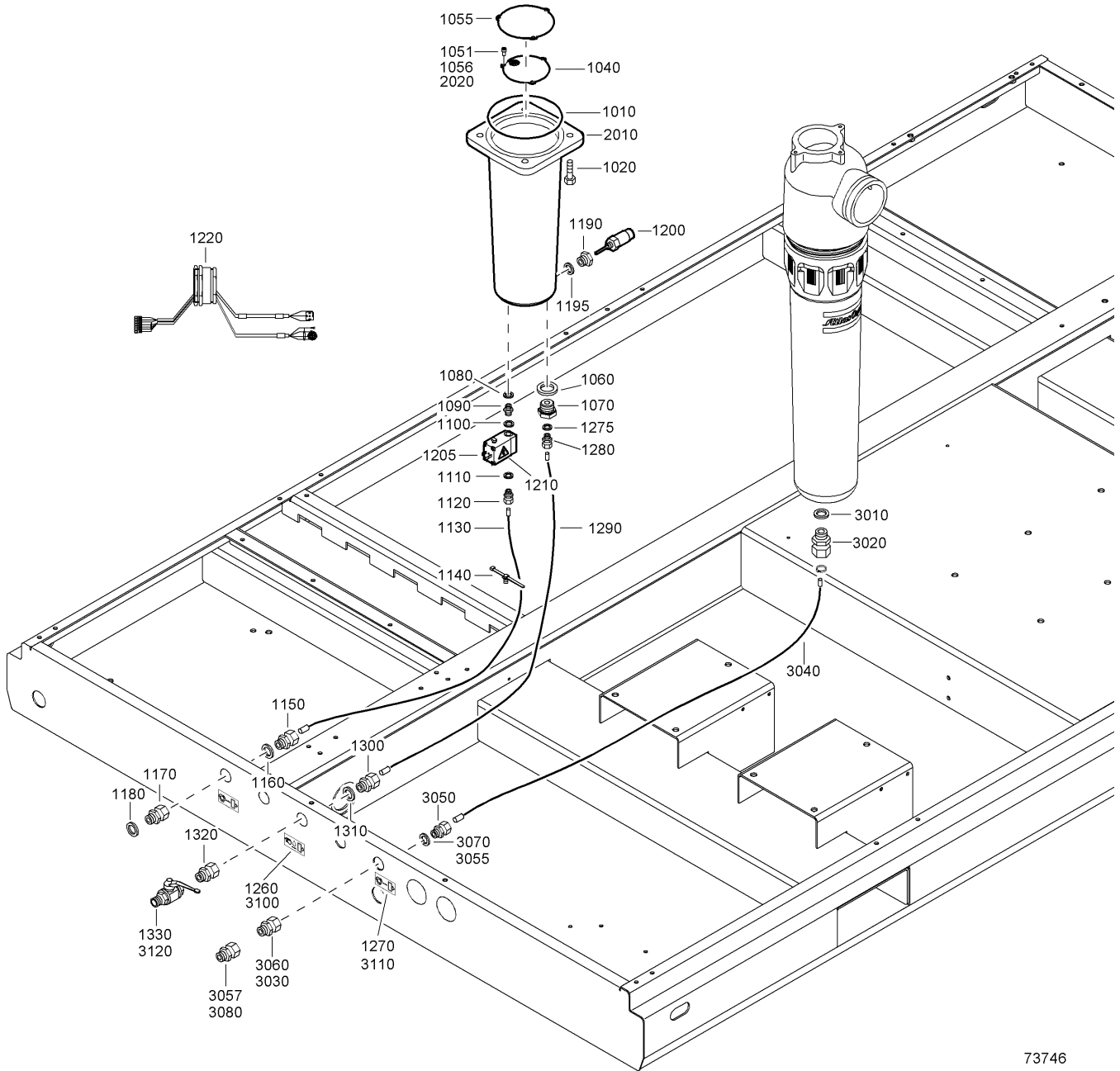


## Motor supports - Watercooled

46

Ref.	Partnumber	Qty	Name	Remarks	Ref.	Partnumber	Qty	Name	Remarks
1190	0261 1091 04	1	Nut					GA 132+	
	<b>1623 0911 80</b>	<b>1</b>	<b>Baffle</b>					GA 160	
2010		• 1	Baffle					GA 160+	
2020	1619 6449 00	• AR	Seal					CSA-UL	
			<b>6.9 bar(e)</b>					<b>5.5 bar(e)</b>	
			<b>8.5 bar(e)</b>					<b>7.5 bar(e)</b>	
			<b>8.6 bar(e)</b>					<b>8.5 bar(e)</b>	
			<b>10 bar(e)</b>					<b>10 bar(e)</b>	
			<b>10.4 bar(e)</b>						
1010	1619 5189 01	2	Rubber buffer		1010	1619 5189 01	2	Rubber buffer	
1020	0147 1401 03	4	Bolt		1020	0147 1401 03	4	Bolt	
1030	0301 2358 00	4	Washer		1030	0301 2358 00	4	Washer	
1040	1623 1357 00	2	Spacer		1040	1623 0952 00	2	Spacer	
1050	0147 1411 03	2	Bolt		1050	0147 1411 03	2	Bolt	
1060	1619 5318 01	1	Rubber buffer		1060	1619 5318 01	1	Rubber buffer	
1070	0147 1401 03	2	Bolt		1070	0147 1401 03	2	Bolt	
1080	0301 2358 00	2	Washer		1080	0301 2358 00	2	Washer	
1090	1621 6977 00	2	Spacer		1090	1621 6977 00	2	Spacer	
1100	0147 1409 03	2	Bolt		1100	0147 1409 03	2	Bolt	
1110	1623 1175 00	1	Baffle		1110	1623 1175 00	1	Baffle	
1120	1202 6584 00	AR	Seal		1120	1202 6584 00	AR	Seal	
1130	1623 1169 00	1	Baffle		1130	1623 1169 00	1	Baffle	
1140	0147 1963 08	8	Hexagon bolt		1140	0147 1963 08	8	Hexagon bolt	
1150	1623 1171 00	1	Baffle		1150	1623 1171 00	1	Baffle	
1160	0147 1963 08	9	Hexagon bolt		1160	0147 1963 08	9	Hexagon bolt	
1165	0147 1963 08	10	Hexagon bolt		1165	0147 1963 08	10	Hexagon bolt	
1180	1623 0739 00	1	Stud		1180	1623 0739 00	1	Stud	
1190	0261 1091 04	1	Nut		1190	0261 1091 04	1	Nut	
	<b>1623 0911 80</b>	<b>1</b>	<b>Baffle</b>			<b>1623 0911 80</b>	<b>1</b>	<b>Baffle</b>	
2010		• 1	Baffle		2010		• 1	Baffle	
2020	1619 6449 00	• AR	Seal		2020	1619 6449 00	• AR	Seal	
			<b>5.2 bar(e)</b>					<b>5.2 bar(e)</b>	
			<b>6.9 bar(e)</b>					<b>6.9 bar(e)</b>	
			<b>8.6 bar(e)</b>					<b>8.6 bar(e)</b>	
			<b>10.4 bar(e)</b>					<b>10.4 bar(e)</b>	
			<b>13.8 bar(e)</b>					<b>13.8 bar(e)</b>	
			<b>14 bar(e)</b>					<b>14 bar(e)</b>	
1010	3175 1782 00	2	Pad anti vibr.		1010	1619 5189 01	2	Rubber buffer	
1020	0147 1401 03	4	Bolt		1020	0147 1401 03	4	Bolt	
1030	0301 2358 00	4	Washer		1030	0301 2358 00	4	Washer	
1040	1623 1357 00	2	Spacer		1040	1623 1357 00	2	Spacer	
1050	0147 1411 03	2	Bolt		1050	0147 1411 03	2	Bolt	
1060	1619 5189 01	1	Rubber buffer		1060	1619 5318 01	1	Rubber buffer	
1070	0147 1401 03	2	Bolt		1070	0147 1401 03	2	Bolt	
1080	0301 2358 00	2	Washer		1080	0301 2358 00	2	Washer	
1090	1623 0953 00	2	Spacer		1090	1621 6977 00	2	Spacer	
1100	0147 1409 03	2	Bolt		1100	0147 1409 03	2	Bolt	
1110	1623 1175 00	1	Baffle		1110	1623 1175 00	1	Baffle	
1120	1202 6584 00	AR	Seal		1120	1202 6584 00	AR	Seal	
1130	1623 1169 00	1	Baffle		1130	1623 1169 00	1	Baffle	
1140	0147 1963 08	8	Hexagon bolt		1140	0147 1963 08	8	Hexagon bolt	
1150	1623 1171 00	1	Baffle		1150	1623 1171 00	1	Baffle	
1160	0147 1963 08	9	Hexagon bolt		1160	0147 1963 08	9	Hexagon bolt	
1165	0147 1963 08	10	Hexagon bolt		1165	0147 1963 08	10	Hexagon bolt	
1180	1623 0739 00	1	Stud		1180	1623 0739 00	1	Stud	
1190	0261 1091 04	1	Nut		1190	0261 1091 04	1	Nut	
	<b>1623 0910 80</b>	<b>1</b>	<b>Baffle</b>			<b>1623 0911 80</b>	<b>1</b>	<b>Baffle</b>	
2010		• 1	Baffle		2010		• 1	Baffle	
2020	1619 6449 00	• AR	Seal		2020	1619 6449 00	• AR	Seal	

47



73746

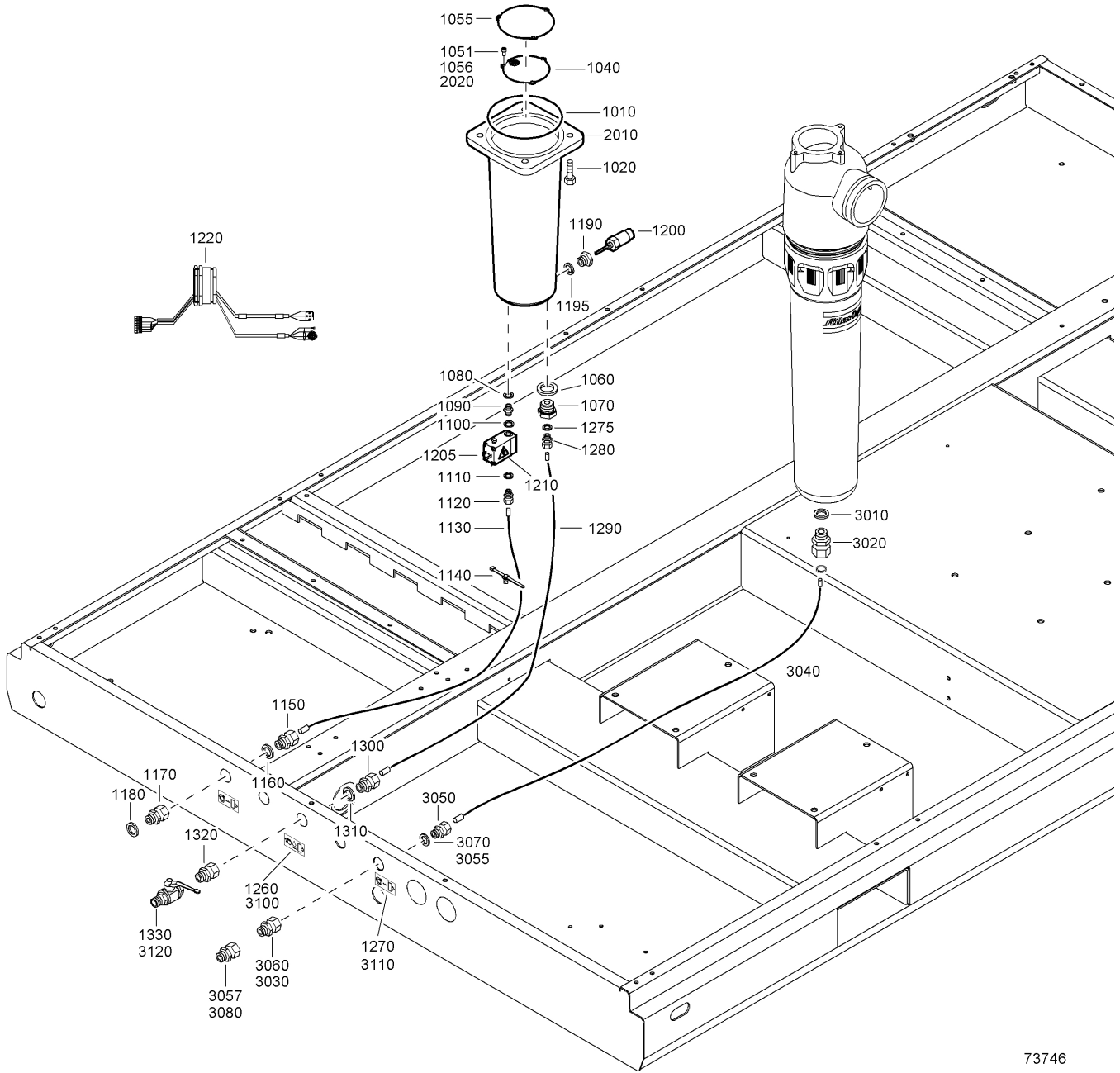
73746

## Drain system - Basic + DD Filter - Full Feature

47

Ref.	Partnumber	Qty	Name	Remarks	Ref.	Partnumber	Qty	Name	Remarks
			<b>Air cooled IEC</b>		1205	1089 0384 48	1	Valve	
1010	0663 2104 35	1	O-ring		1210	1088 1001 01	1	Warning mark	
1020	0147 1403 03	4	Bolt		1220	1623 5523 00	1	Wire harness	
1040	1623 0446 00	1	Plate		1260	1079 9910 95	1	Label	
1051	0211 1244 01	3	Screw		1270	1079 9910 96	1	Label	
1055	1623 0450 00	1	Plate		1275	0661 1000 25	1	Seal washer	
1056	0211 1244 01	3	Screw		1280	0581 0000 45	1	Pipe coupling	
1060	0661 1000 34	1	Seal washer		1290	0070 6002 06	AR	Plastic tube	
1070	1623 0808 00	1	Bushing		1300	0581 0000 53	1	Pipe coupling	
1080	0661 1000 25	1	Seal washer		1310	0661 1000 27	1	Seal washer	
1090	0603 4406 00	1	Nipple		1320	0581 0000 86	1	Pipe coupling	
1100	0661 1000 25	1	Seal washer		1330	0852 0010 33	1	Ball valve	
1110	0661 1000 25	1	Seal washer			<b>1623 0500 80</b>	<b>1</b>	<b>Bowl</b>	
1120	0581 0000 45	1	Pipe coupling		2010	1623 0500 00	• 1	Bowl	
1130	0070 6002 06	AR	Plastic tube		2020	0211 1244 01	• 3	Screw	
1140	0348 0102 08	5	Cable tie					<b>Water cooled IEC</b>	
1150	0581 0000 53	1	Pipe coupling		1010	0663 2104 35	1	O-ring	
1160	0661 1000 27	1	Seal washer		1020	0147 1403 03	4	Bolt	
1170	0581 0000 86	1	Pipe coupling		1040	1623 0446 00	1	Plate	
1180	0661 1000 27	1	Seal washer		1051	0211 1244 01	3	Screw	
1190	1621 7941 00	1	Bushing		1055	1623 0450 00	1	Plate	
1195	0661 1000 25	1	Seal washer		1056	0211 1244 01	3	Screw	
1200	1089 0659 54	1	Sensor level		1060	0661 1000 34	1	Seal washer	
1205	1089 0384 47	1	Valve		1070	1623 0808 00	1	Bushing	
1210	1088 1001 01	1	Warning mark		1080	0661 1000 25	1	Seal washer	
1220	1623 5523 00	1	Wire harness		1090	0603 4406 00	1	Nipple	
1260	1079 9910 95	1	Label		1100	0661 1000 25	1	Seal washer	
1270	1079 9910 96	1	Label		1110	0661 1000 25	1	Seal washer	
1275	0661 1000 25	1	Seal washer		1120	0581 0000 45	1	Pipe coupling	
1280	0581 0000 45	1	Pipe coupling		1130	0070 6002 06	AR	Plastic tube	
1290	0070 6002 06	AR	Plastic tube		1140	0348 0102 08	5	Cable tie	
1300	0581 0000 53	1	Pipe coupling		1150	0581 0000 53	1	Pipe coupling	
1310	0661 1000 27	1	Seal washer		1160	0661 1000 27	1	Seal washer	
1320	0581 0000 86	1	Pipe coupling		1170	0581 0000 86	1	Pipe coupling	
1330	0852 0010 33	1	Ball valve		1180	0661 1000 27	1	Seal washer	
	<b>1623 0500 80</b>	<b>1</b>	<b>Bowl</b>		1190	1621 7941 00	1	Bushing	
2010	1623 0500 00	• 1	Bowl		1195	0661 1000 25	1	Seal washer	
2020	0211 1244 01	• 3	Screw		1200	1089 0659 54	1	Sensor level	
			<b>Air cooled CSA-UL</b>		1205	1089 0384 47	1	Valve	
1010	0663 2104 35	1	O-ring		1210	1088 1001 01	1	Warning mark	
1020	0147 1403 03	4	Bolt		1220	1623 5523 00	1	Wire harness	
1040	1623 0446 00	1	Plate		1260	1079 9910 95	1	Label	
1051	0211 1244 01	3	Screw		1270	1079 9910 96	1	Label	
1055	1623 0450 00	1	Plate		1275	0661 1000 25	1	Seal washer	
1056	0211 1244 01	3	Screw		1280	0581 0000 45	1	Pipe coupling	
1060	0661 1000 34	1	Seal washer		1290	0070 6002 06	AR	Plastic tube	
1070	1623 0808 00	1	Bushing		1300	0581 0000 53	1	Pipe coupling	
1080	0661 1000 25	1	Seal washer		1310	0661 1000 27	1	Seal washer	
1090	0603 4406 00	1	Nipple		1320	0581 0000 86	1	Pipe coupling	
1100	0661 1000 25	1	Seal washer		1330	0852 0010 33	1	Ball valve	
1110	0661 1000 25	1	Seal washer			<b>1623 0500 80</b>	<b>1</b>	<b>Bowl</b>	
1120	0581 0000 45	1	Pipe coupling		2010	1623 0500 00	• 1	Bowl	
1130	0070 6002 06	AR	Plastic tube		2020	0211 1244 01	• 3	Screw	
1140	0348 0102 08	5	Cable tie					<b>Water cooled CSA-UL</b>	
1150	0581 0000 53	1	Pipe coupling		1010	0663 2104 35	1	O-ring	
1160	0661 1000 27	1	Seal washer		1020	0147 1403 03	4	Bolt	
1170	0581 0000 86	1	Pipe coupling		1040	1623 0446 00	1	Plate	
1180	0661 1000 27	1	Seal washer		1051	0211 1244 01	3	Screw	
1190	1621 7941 00	1	Bushing		1055	1623 0450 00	1	Plate	
1195	0661 1000 25	1	Seal washer		1056	0211 1244 01	3	Screw	
1200	1089 0659 54	1	Sensor level		1060	0661 1000 34	1	Seal washer	

# 47



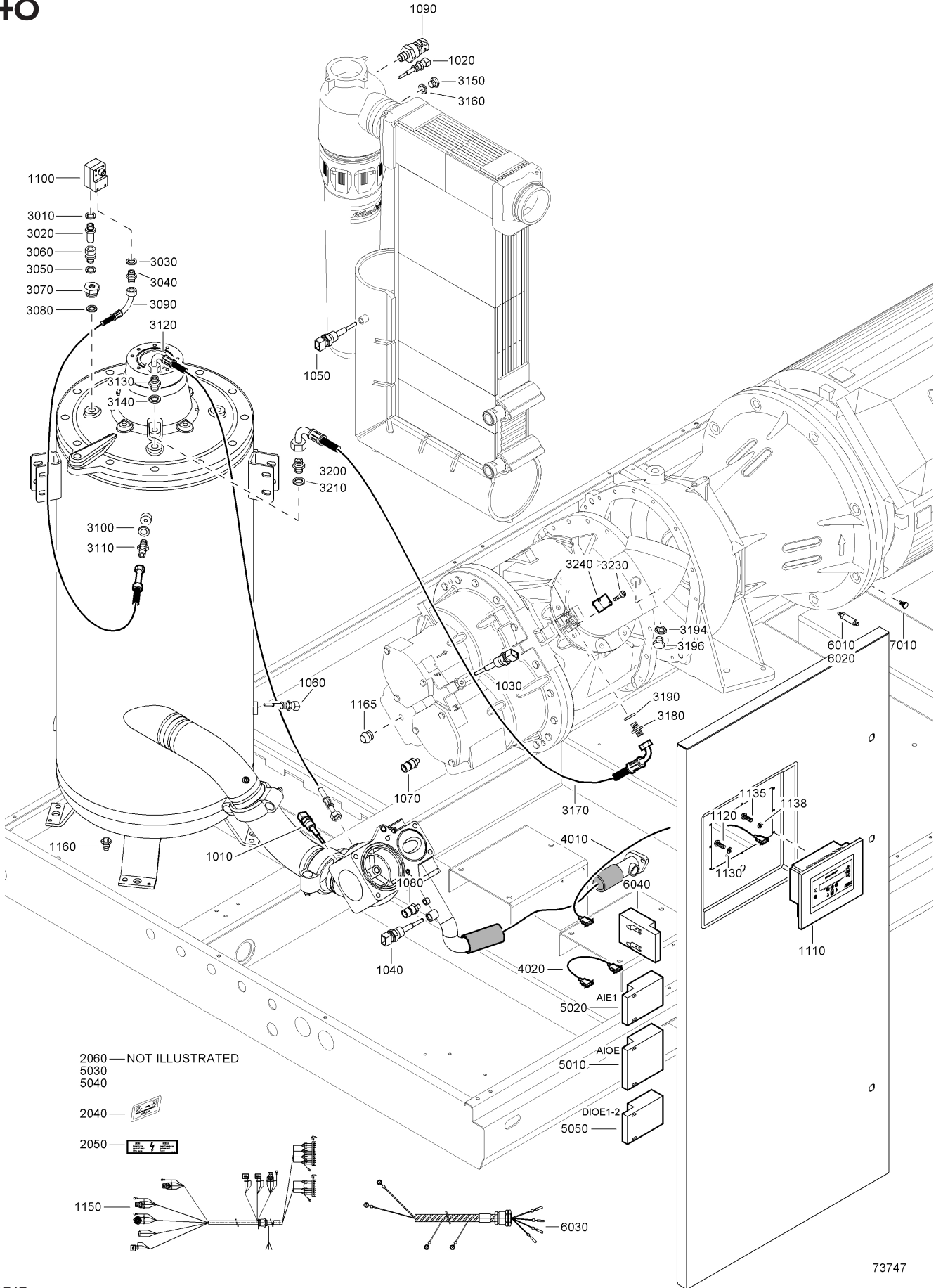
73746

## Drain system - Basic + DD Filter - Full Feature

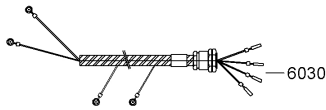
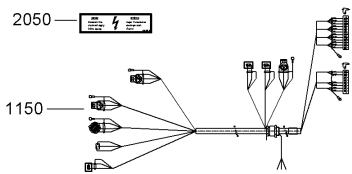
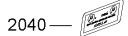
47

Ref.	Part number	Qty	Name	Remarks	Ref.	Part number	Qty	Name	Remarks
1070	1623 0808 00	1	Bushing		3030	0581 0000 86	1	Pipe coupling	
1080	0661 1000 25	1	Seal washer		3270	1079 9910 96	1	Label	
1090	0603 4406 00	1	Nipple					<b>Full Feature - Aircooled - With DD filter</b>	
1100	0661 1000 25	1	Seal washer		3010	0661 1000 27	1	Seal washer	
1110	0661 1000 25	1	Seal washer		3020	0581 0000 73	1	Str. coupl.	
1120	0581 0000 45	1	Pipe coupling		3030	0581 0000 86	1	Pipe coupling	
1130	0070 6002 06	AR	Plastic tube		3040	0070 6002 06	AR	Plastic tube	
1140	0348 0102 08	5	Cable tie		3050	1617 7082 02	1	Quick coupling	
1150	0581 0000 53	1	Pipe coupling		3055	0661 1000 25	1	Seal washer	
1160	0661 1000 27	1	Seal washer		3057	0581 0000 45	1	Pipe coupling	
1170	0581 0000 86	1	Pipe coupling		3060	0581 0000 86	1	Pipe coupling	
1180	0661 1000 27	1	Seal washer		3070	0661 1000 27	1	Seal washer	
1190	1621 7941 00	1	Bushing		3080	0581 0000 53	1	Pipe coupling	
1195	0661 1000 25	1	Seal washer		3100	1079 9910 96	2	Label	
1200	1089 0659 54	1	Sensor level		3110	1079 9910 97	1	Label	
1205	1089 0384 48	1	Valve		3120	0852 0010 33	1	Ball valve	
1210	1088 1001 01	1	Warning mark					<b>Full Feature - Watercooled - With DD filter</b>	
1220	1623 5523 00	1	Wire harness		3010	0661 1000 27	1	Seal washer	
1260	1079 9910 95	1	Label		3020	0581 0000 73	1	Str. coupl.	
1270	1079 9910 96	1	Label		3030	0581 0000 86	1	Pipe coupling	
1275	0661 1000 25	1	Seal washer		3040	0070 6002 06	AR	Plastic tube	
1280	0581 0000 45	1	Pipe coupling		3050	1617 7082 02	1	Quick coupling	
1290	0070 6002 06	AR	Plastic tube		3055	0661 1000 25	1	Seal washer	
1300	0581 0000 53	1	Pipe coupling		3057	0581 0000 45	1	Pipe coupling	
1310	0661 1000 27	1	Seal washer		3060	0581 0000 86	1	Pipe coupling	
1320	0581 0000 86	1	Pipe coupling		3070	0661 1000 27	1	Seal washer	
1330	0852 0010 33	1	Ball valve		3080	0581 0000 53	1	Pipe coupling	
	<b>1623 0500 80</b>	<b>1</b>	<b>Bowl</b>		3100	1079 9910 96	2	Label	
2010	1623 0500 00	• 1	Bowl		3110	1079 9910 97	1	Label	
2020	0211 1244 01	• 3	Screw		3120	0852 0010 33	1	Ball valve	
			<b>Full feature</b>						
3010	0661 1000 27	1	Seal washer						
3020	0581 0000 73	1	Str. coupl.						

# 48



2060 — NOT ILLUSTRATED  
 5030  
 5040



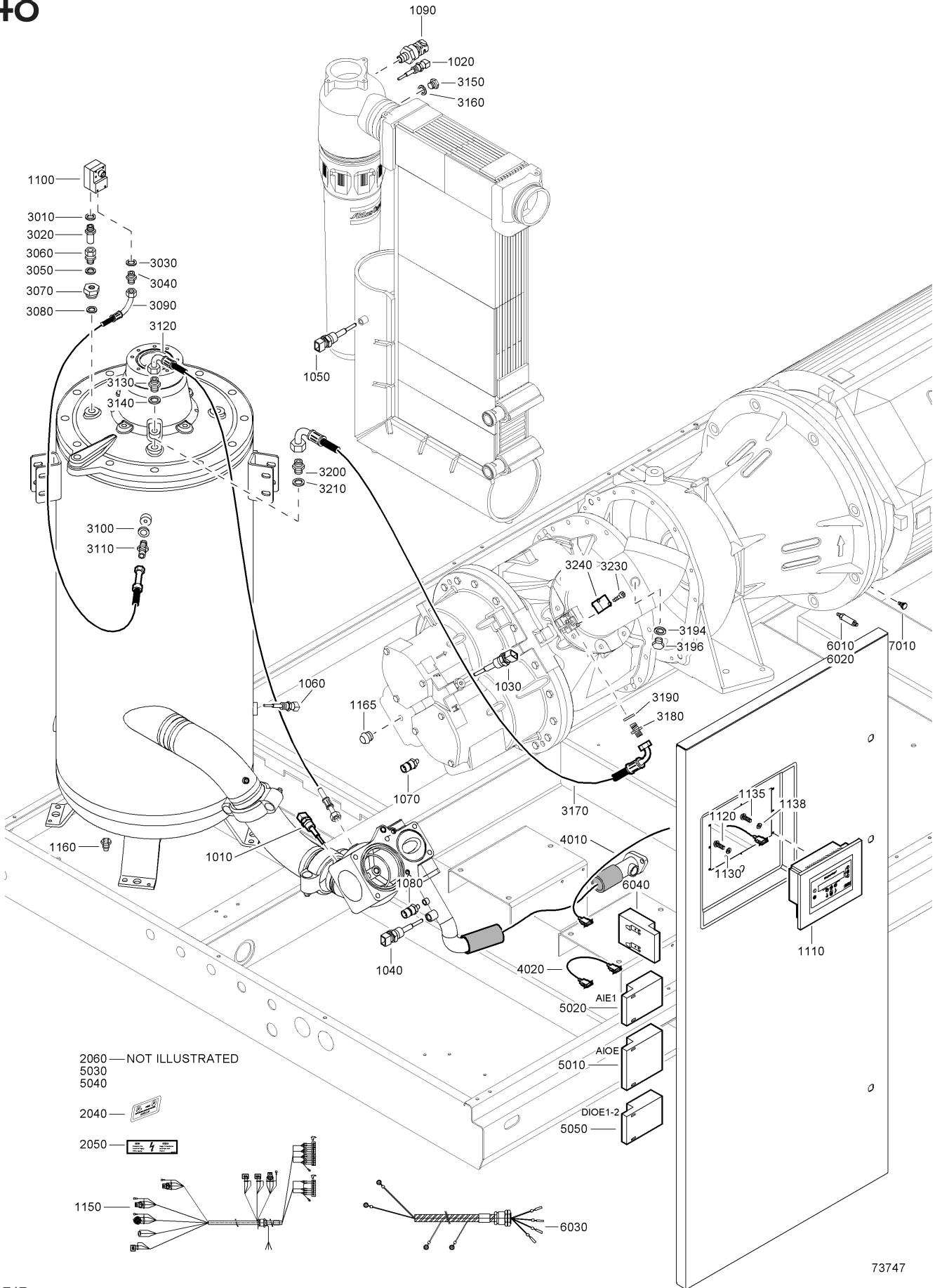
73747

73747

## Regulating system

Ref.	Partnumber	Qty	Name	Remarks	Ref.	Partnumber	Qty	Name	Remarks
			<b>Control system</b>		1040	1089 0574 70	1	Sensor	
			<b>Normal display</b>		1050	1089 0574 70	1	Sensor	
			<b>Aircooled IEC</b>		1060	1089 0574 70	1	Sensor	
1010	1089 0574 70	1	Sensor		1165	0686 3115 69	1	Plug	
1020	1089 0574 70	1	Sensor		1070	1089 9625 33	1	Pressure transducer	
1030	1089 0574 70	1	Sensor		1080	1089 9625 33	1	Pressure transducer	
1040	1089 0574 70	1	Sensor		1090	1089 9625 36	1	Pressure transducer	
1050	1089 0574 70	1	Sensor		1100	1089 9625 01	1	Dp transducer	
1060	1089 0574 12	1	Temperature sensor		1110	1900 0710 32	1	Regulator	
1070	1089 9625 33	1	Pressure transducer		1120	0160 6038 00	4	Screw	
1080	1089 9625 33	1	Pressure transducer		1130	0301 2315 00	4	Washer	
1090	1089 9625 36	1	Pressure transducer		1135	0160 6021 00	2	Slotted screw	
1100	1089 9625 01	1	Dp transducer		1138	0301 2309 00	2	Washer	
1110	1900 0710 32	1	Regulator		1150	1623 1426 00	1	Wire harness	
1120	0160 6038 00	4	Screw		1160	1089 0637 24	1	Switch temp.	
1130	0301 2315 00	4	Washer		1165	0686 3115 69	1	Plug	
1135	0160 6021 00	2	Slotted screw		2040	1613 5330 10	1	Listing mark	
1138	0301 2309 00	2	Washer		2050	1613 3431 00	1	Label	
1150	1623 2139 00	1	Wire harness					<b>High resolution display</b>	
1160	1089 0637 24	1	Switch temp.					<b>Aircooled IEC</b>	
1165	0686 3115 69	1	Plug		1010	1089 0574 70	1	Sensor	
			<b>Watercooled IEC</b>		1020	1089 0574 70	1	Sensor	
1010	1089 0574 70	1	Sensor		1030	1089 0574 70	1	Sensor	
1020	1089 0574 70	1	Sensor		1040	1089 0574 70	1	Sensor	
1030	1089 0574 70	1	Sensor		1050	1089 0574 70	1	Sensor	
1040	1089 0574 70	1	Sensor		1060	1089 0574 12	1	Temperature sensor	
1050	1089 0574 70	1	Sensor		1070	1089 9625 33	1	Pressure transducer	
1060	1089 0574 70	1	Sensor		1080	1089 9625 33	1	Pressure transducer	
1070	1089 9625 33	1	Pressure transducer		1090	1089 9625 36	1	Pressure transducer	
1080	1089 9625 33	1	Pressure transducer		1100	1089 9625 01	1	Dp transducer	
1090	1089 9625 36	1	Pressure transducer		1110	1900 0712 92	1	Regulator	
1100	1089 9625 01	1	Dp transducer		1120	0160 6038 00	4	Screw	
1110	1900 0710 32	1	Regulator		1130	0301 2315 00	4	Washer	
1120	0160 6038 00	4	Screw		1135	0160 6021 00	2	Slotted screw	
1130	0301 2315 00	4	Washer		1138	0301 2309 00	2	Washer	
1135	0160 6021 00	2	Slotted screw		1150	1623 2139 00	1	Wire harness	
1138	0301 2309 00	2	Washer		1160	1089 0637 24	1	Switch temp.	
1150	1623 1426 00	1	Wire harness		1165	0686 3115 69	1	Plug	
1160	1089 0637 24	1	Switch temp.					<b>Watercooled IEC</b>	
1165	0686 3115 69	1	Plug		1010	1089 0574 70	1	Sensor	
			<b>Aircooled CSA-UL</b>		1020	1089 0574 70	1	Sensor	
1010	1089 0574 70	1	Sensor		1030	1089 0574 70	1	Sensor	
1020	1089 0574 70	1	Sensor		1040	1089 0574 70	1	Sensor	
1030	1089 0574 70	1	Sensor		1050	1089 0574 70	1	Sensor	
1040	1089 0574 70	1	Sensor		1060	1089 0574 70	1	Sensor	
1050	1089 0574 70	1	Sensor		1070	1089 9625 33	1	Press. transducer	
1060	1089 0574 12	1	Temperature sensor		1080	1089 9625 33	1	Press. transducer	
1070	1089 9625 33	1	Pressure transducer		1090	1089 9625 36	1	Press. transducer	
1080	1089 9625 33	1	Pressure transducer		1100	1089 9625 01	1	Dp transducer	
1090	1089 9625 36	1	Pressure transducer		1110	1900 0712 92	1	Regulator elektronikon iiii gd	
1100	1089 9625 01	1	Dp transducer		1120	0160 6038 00	4	Screw	
1110	1900 0710 32	1	Regulator		1130	0301 2315 00	4	Washer	
1120	0160 6038 00	4	Screw		1135	0160 6021 00	2	Slotted screw	
1130	0301 2315 00	4	Washer		1138	0301 2309 00	2	Washer	
1135	0160 6021 00	2	Slotted screw		1150	1623 1426 00	1	Wire harness	
1138	0301 2309 00	2	Washer		1160	1089 0637 24	1	Switch temp.	
1150	1623 2139 00	1	Wire harness		1165	0686 3115 69	1	Plug	
1160	1089 0637 24	1	Switch temp.					<b>Air cooled CSA-UL</b>	
1165	0686 3115 69	1	Plug		1010	1089 0574 70	1	Sensor	
2040	1613 5330 10	1	Listing mark		1020	1089 0574 70	1	Sensor	
2050	1613 3431 00	1	Label		1030	1089 0574 70	1	Sensor	
			<b>Watercooled CSA-UL</b>		1040	1089 0574 70	1	Sensor	
1010	1089 0574 70	1	Sensor		1050	1089 0574 70	1	Sensor	
1020	1089 0574 70	1	Sensor		1060	1089 0574 12	1	Temperature sensor	
1030	1089 0574 70	1	Sensor		1070	1089 9625 33	1	Pressure transducer	

# 48



73747

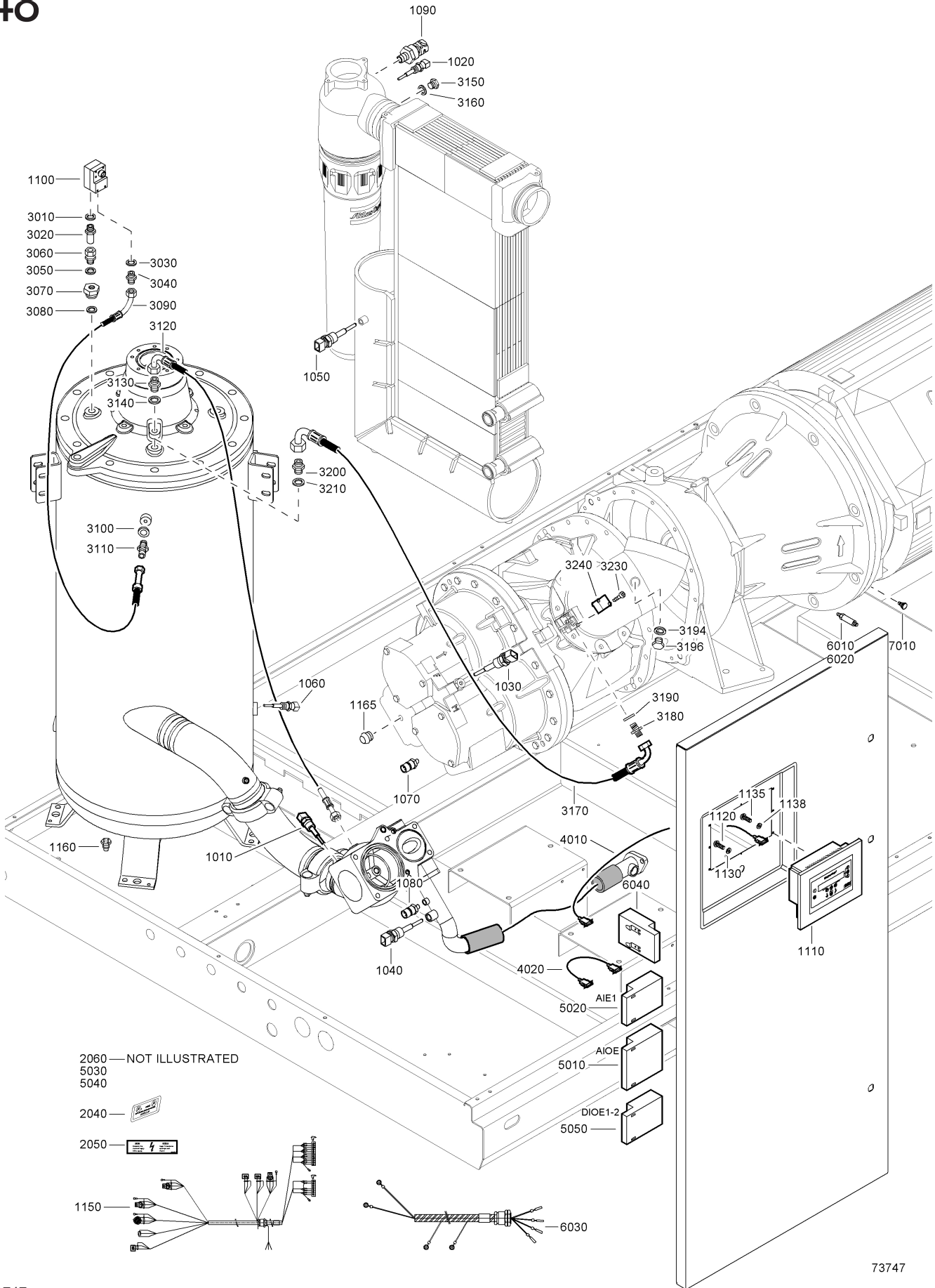
73747



## Regulating system

Ref.	Partnumber	Qty	Name	Remarks	Ref.	Partnumber	Qty	Name	Remarks
1080	1089 9625 33	1	Pressure transducer		1090	1089 9625 36	1	Pressure transducer	
1090	1089 9625 36	1	Pressure transducer		1100	1089 9625 01	1	Dp transducer	
1100	1089 9625 01	1	Dp transducer		1110	1900 0710 32	1	Regulator	
1110	1900 0712 92	1	Regulator		1120	0160 6038 00	4	Screw	
1120	0160 6038 00	4	Screw		1130	0301 2315 00	4	Washer	
1130	0301 2315 00	4	Washer		1135	0160 6021 00	2	Slotted screw	
1135	0160 6021 00	2	Slotted screw		1138	0301 2309 00	2	Washer	
1138	0301 2309 00	2	Washer		1150	1623 1426 00	1	Wire harness	
1150	1623 2139 00	1	Wire harness		1160	1089 0637 24	1	Switch temp.	
1160	1089 0637 24	1	Switch temp.		1165	0686 3115 69	1	Plug	
1165	0686 3115 69	1	Plug		2060	1089 9556 24	2	Filter	
2040	1613 5330 10	1	Listing mark					<b>Air cooled CSA-UL</b>	
2050	1613 3431 00	1	Label		1010	1089 0574 70	1	Sensor	
					1020	1089 0574 70	1	Sensor	
					1030	1089 0574 70	1	Sensor	
1010	1089 0574 70	1	Sensor		1040	1089 0574 70	1	Sensor	
1020	1089 0574 70	1	Sensor		1050	1089 0574 70	1	Sensor	
1030	1089 0574 70	1	Sensor		1060	1089 0574 12	1	Temperature sensor	
1040	1089 0574 70	1	Sensor		1070	1089 9625 33	1	Pressure transducer	
1050	1089 0574 70	1	Sensor		1080	1089 9625 33	1	Pressure transducer	
1060	1089 0574 70	1	Sensor		1090	1089 9625 36	1	Pressure transducer	
1070	1089 9625 33	1	Pressure transducer		1100	1089 9625 01	1	Dp transducer	
1080	1089 9625 33	1	Pressure transducer		1110	1900 0710 32	1	Regulator	
1090	1089 9625 36	1	Pressure transducer		1120	0160 6038 00	4	Screw	
1100	1089 9625 01	1	Dp transducer		1130	0301 2315 00	4	Washer	
1110	1900 0712 92	1	Regulator		1135	0160 6021 00	2	Slotted screw	
1120	0160 6038 00	4	Screw		1138	0301 2309 00	2	Washer	
1130	0301 2315 00	4	Washer		1150	1623 2139 00	1	Wire harness	
1135	0160 6021 00	2	Slotted screw		1160	1089 0637 24	1	Switch temp.	
1138	0301 2309 00	2	Washer		1165	0686 3115 69	1	Plug	
1150	1623 1426 00	1	Wire harness		2040	1613 5330 10	1	Listing mark	
1160	1089 0637 24	1	Switch temp.		2050	1613 3431 00	1	Label	
1165	0686 3115 69	1	Plug		2060	1089 9556 25	2	Filter	
2040	1613 5330 10	1	Listing mark					<b>Water cooled CSA-UL</b>	
2050	1613 3431 00	1	Label		1010	1089 0574 70	1	Sensor	
					1020	1089 0574 70	1	Sensor	
					1030	1089 0574 70	1	Sensor	
					1040	1089 0574 70	1	Sensor	
					1050	1089 0574 70	1	Sensor	
					1060	1089 0574 70	1	Sensor	
					1070	1089 9625 33	1	Pressure transducer	
					1080	1089 9625 33	1	Pressure transducer	
					1090	1089 9625 36	1	Pressure transducer	
					1100	1089 9625 01	1	Dp transducer	
					1110	1900 0710 32	1	Regulator	
					1120	0160 6038 00	4	Screw	
					1130	0301 2315 00	4	Washer	
					1135	0160 6021 00	2	Slotted screw	
					1138	0301 2309 00	2	Washer	
					1150	1623 1426 00	1	Wire harness	
					1160	1089 0637 24	1	Switch temp.	
					1165	0686 3115 69	1	Plug	
					2040	1613 5330 10	1	Listing mark	
					2050	1613 3431 00	1	Label	
					2060	1089 9556 25	2	Filter	
								<b>High resolution display - High ambient condition</b>	
								<b>Aircooled IEC</b>	
1010	1089 0574 70	1	Sensor		1010	1089 0574 70	1	Sensor	
1020	1089 0574 70	1	Sensor		1020	1089 0574 70	1	Sensor	
1030	1089 0574 70	1	Sensor		1030	1089 0574 70	1	Sensor	
1040	1089 0574 70	1	Sensor		1040	1089 0574 70	1	Sensor	
1050	1089 0574 70	1	Sensor		1050	1089 0574 70	1	Sensor	
1060	1089 0574 70	1	Sensor		1060	1089 0574 12	1	Temperature sensor	
1070	1089 9625 33	1	Pressure transducer		1070	1089 9625 33	1	Pressure transducer	
1080	1089 9625 33	1	Pressure transducer						

# 48



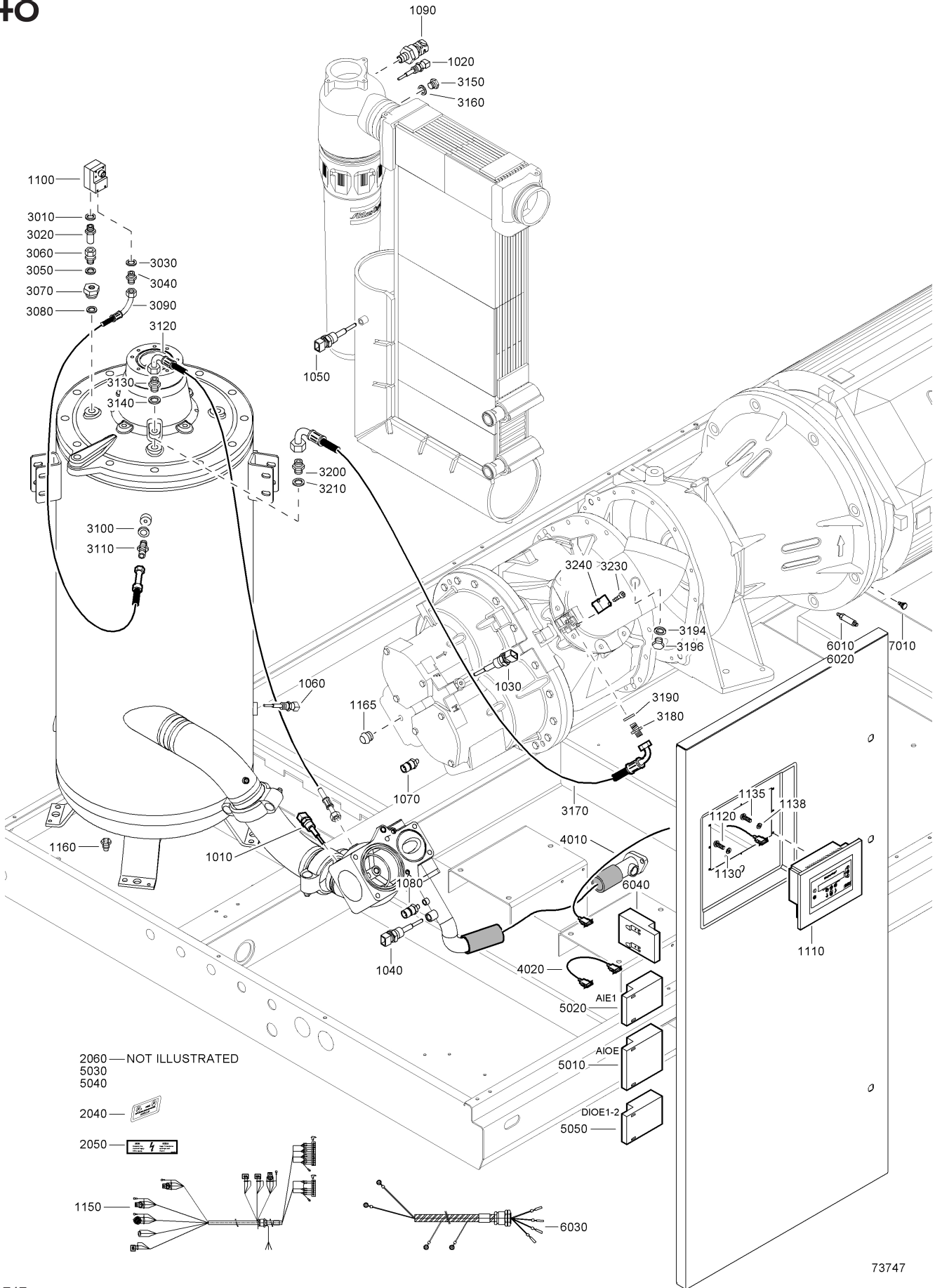
73747

73747

## Regulating system

Ref.	Partnumber	Qty	Name	Remarks	Ref.	Partnumber	Qty	Name	Remarks
1080	1089 9625 33	1	Pressure transducer		1100	1089 9625 01	1	Dp transducer	
1090	1089 9625 36	1	Pressure transducer		1110	1900 0712 92	1	Regulator	
1100	1089 9625 01	1	Dp transducer		1120	0160 6038 00	4	Screw	
1110	1900 0712 92	1	Regulator		1130	0301 2315 00	4	Washer	
1120	0160 6038 00	4	Screw		1135	0160 6021 00	2	Slotted screw	
1130	0301 2315 00	4	Washer		1138	0301 2309 00	2	Washer	
1135	0160 6021 00	2	Slotted screw		1150	1623 1426 00	1	Wire harness	
1138	0301 2309 00	2	Washer		1160	1089 0637 24	1	Switch temp.	
1150	1623 2139 00	1	Wire harness		1165	0686 3115 69	1	Plug	
1160	1089 0637 24	1	Switch temp.		2040	1613 5330 10	1	Listing mark	
1165	0686 3115 69	1	Plug		2050	1613 3431 00	1	Label	
2060	1089 9556 24	2	Filter		2060	1089 9556 25	2	Filter	
			<b>Watercooled IEC</b>					<b>Normal display - NEMA 4</b>	
1010	1089 0574 70	1	Sensor					<b>Air cooled CSA-UL</b>	
1020	1089 0574 70	1	Sensor		1010	1089 0574 70	1	Sensor	
1030	1089 0574 70	1	Sensor		1020	1089 0574 70	1	Sensor	
1040	1089 0574 70	1	Sensor		1030	1089 0574 70	1	Sensor	
1050	1089 0574 70	1	Sensor		1040	1089 0574 70	1	Sensor	
1060	1089 0574 70	1	Sensor		1050	1089 0574 70	1	Sensor	
1070	1089 9625 33	1	Pressure transducer		1060	1089 0574 12	1	Temperature sensor	
1080	1089 9625 33	1	Pressure transducer		1070	1089 9625 33	1	Pressure transducer	
1090	1089 9625 36	1	Pressure transducer		1080	1089 9625 33	1	Pressure transducer	
1100	1089 9625 01	1	Dp transducer		1090	1089 9625 36	1	Pressure transducer	
1110	1900 0712 92	1	Regulator		1100	1089 9625 01	1	Dp transducer	
1120	0160 6038 00	4	Screw		1110	1900 0710 32	1	Regulator	
1130	0301 2315 00	4	Washer		1120	0160 6038 00	4	Screw	
1135	0160 6021 00	2	Slotted screw		1130	0301 2315 00	4	Washer	
1138	0301 2309 00	2	Washer		1135	0160 6021 00	2	Slotted screw	
1150	1623 1426 00	1	Wire harness		1138	0301 2309 00	2	Washer	
1160	1089 0637 24	1	Switch temp.		1150	1623 2139 00	1	Wire harness	
1165	0686 3115 69	1	Plug		1160	1089 0637 24	1	Switch temp.	
2060	1089 9556 24	2	Filter		1165	0686 3115 69	1	Plug	
			<b>Air cooled CSA-UL</b>		2040	1613 5330 10	1	Listing mark	
1010	1089 0574 70	1	Sensor		2050	1613 3431 00	1	Label	
1020	1089 0574 70	1	Sensor					<b>Water cooled CSA-UL</b>	
1030	1089 0574 70	1	Sensor		1010	1089 0574 70	1	Sensor	
1040	1089 0574 70	1	Sensor		1020	1089 0574 70	1	Sensor	
1050	1089 0574 70	1	Sensor		1030	1089 0574 70	1	Sensor	
1060	1089 0574 12	1	Temperature sensor		1040	1089 0574 70	1	Sensor	
1070	1089 9625 33	1	Pressure transducer		1050	1089 0574 70	1	Sensor	
1080	1089 9625 33	1	Pressure transducer		1060	1089 0574 70	1	Sensor	
1090	1089 9625 36	1	Pressure transducer		1070	1089 9625 33	1	Pressure transducer	
1100	1089 9625 01	1	Dp transducer		1080	1089 9625 33	1	Pressure transducer	
1110	1900 0712 92	1	Regulator		1090	1089 9625 36	1	Pressure transducer	
1120	0160 6038 00	4	Screw		1100	1089 9625 01	1	Dp transducer	
1130	0301 2315 00	4	Washer		1110	1900 0710 32	1	Regulator	
1135	0160 6021 00	2	Slotted screw		1120	0160 6038 00	4	Screw	
1138	0301 2309 00	2	Washer		1130	0301 2315 00	4	Washer	
1150	1623 2139 00	1	Wire harness		1135	0160 6021 00	2	Slotted screw	
1160	1089 0637 24	1	Switch temp.		1138	0301 2309 00	2	Washer	
1165	0686 3115 69	1	Plug		1150	1623 1426 00	1	Wire harness	
2040	1613 5330 10	1	Listing mark		1160	1089 0637 24	1	Switch temp.	
2050	1613 3431 00	1	Label		1165	0686 3115 69	1	Plug	
2060	1089 9556 25	2	Filter		2040	1613 5330 10	1	Listing mark	
			<b>Water cooled CSA-UL</b>		2050	1613 3431 00	1	Label	
1010	1089 0574 70	1	Sensor					<b>High resolution display-NEMA 4</b>	
1020	1089 0574 70	1	Sensor					<b>Air cooled CSA-UL</b>	
1030	1089 0574 70	1	Sensor		1010	1089 0574 70	1	Sensor	
1040	1089 0574 70	1	Sensor		1020	1089 0574 70	1	Sensor	
1050	1089 0574 70	1	Sensor		1030	1089 0574 70	1	Sensor	
1060	1089 0574 70	1	Sensor		1040	1089 0574 70	1	Sensor	
1165	0686 3115 69	1	Plug		1050	1089 0574 70	1	Sensor	
1070	1089 9625 33	1	Pressure transducer		1060	1089 0574 12	1	Temperature sensor	
1080	1089 9625 33	1	Pressure transducer		1070	1089 9625 33	1	Pressure transducer	
1090	1089 9625 36	1	Pressure transducer		1080	1089 9625 33	1	Pressure transducer	

# 48



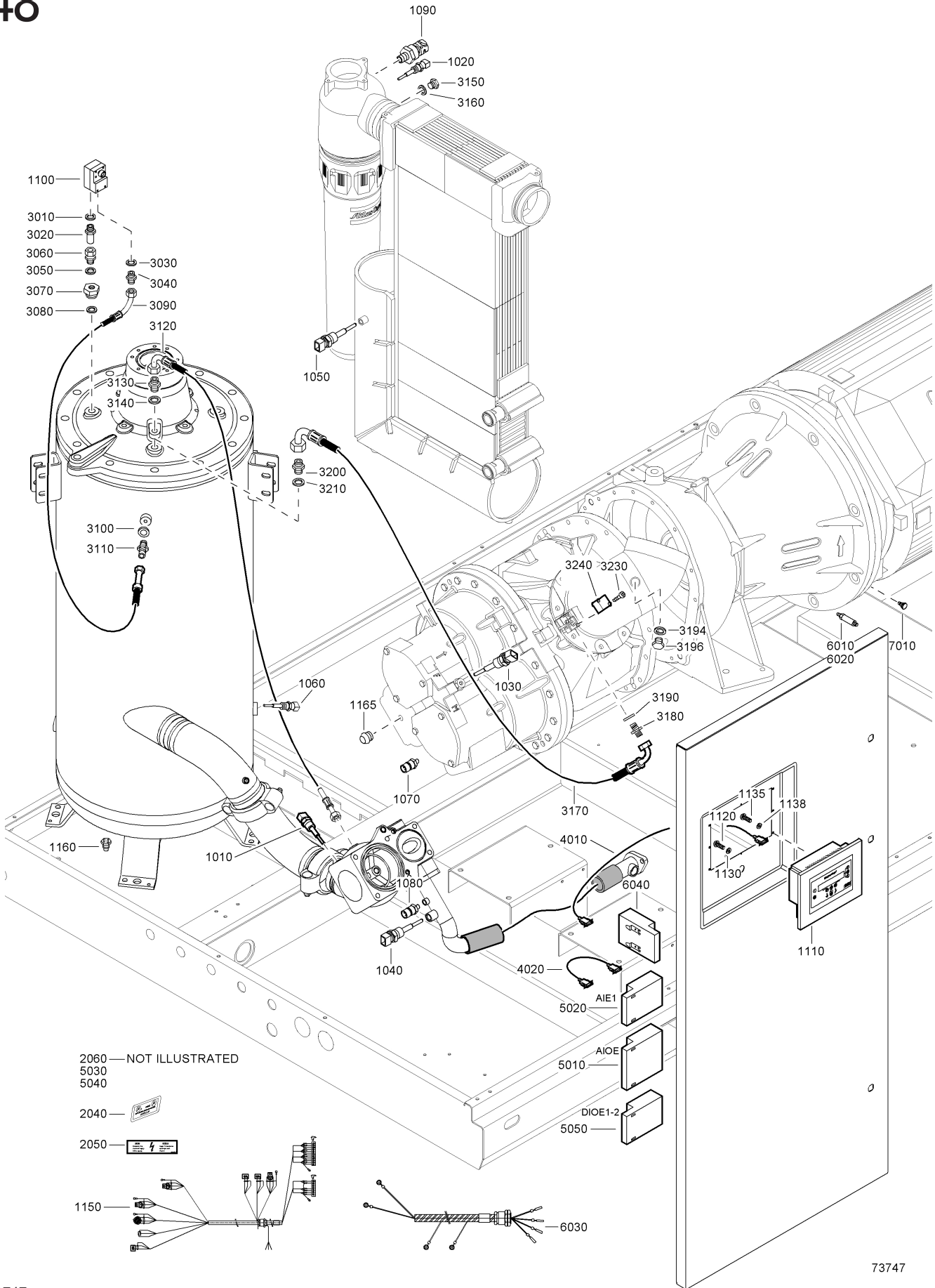
73747

73747

## Regulating system

Ref.	Partnumber	Qty	Name	Remarks	Ref.	Partnumber	Qty	Name	Remarks
1090	1089 9625 36	1	Pressure transducer		3240	1089 0668 21	1	Valve solenoid	
1100	1089 9625 01	1	Dp transducer					<b>GA 90+</b>	
1110	1900 0712 92	1	Regulator					<b>GA 110</b>	
1120	0160 6038 00	4	Screw					<b>GA 110+</b>	
1130	0301 2315 00	4	Washer					<b>GA 132</b>	
1135	0160 6021 00	2	Slotted screw					<b>GA 132+</b>	
1138	0301 2309 00	2	Washer					<b>GA 160+</b>	
1150	1623 2139 00	1	Wire harness					<b>8.6 bar(e)</b>	
1160	1089 0637 24	1	Switch temp.					<b>8.5 bar(e)</b>	
1165	0686 3115 69	1	Plug					<b>10.4 bar(e)</b>	
2040	1613 5330 10	1	Listing mark					<b>10 bar(e)</b>	
2050	1613 3431 00	1	Label					<b>13.8 bar(e)</b>	
			<b>Water cooled CSA-UL</b>					<b>14 bar(e)</b>	
1010	1089 0574 70	1	Sensor		3010	0661 1000 24	1	Seal washer	
1020	1089 0574 70	1	Sensor		3020	1615 3624 00	1	Nozzle	
1030	1089 0574 70	1	Sensor		3030	0661 1000 24	1	Seal washer	
1040	1089 0574 70	1	Sensor		3040	1079 5840 01	1	Nipple	
1050	1089 0574 70	1	Sensor		3050	0661 1000 25	1	Seal washer	
1060	1089 0574 70	1	Sensor		3060	0580 0400 03	1	Str.coupling	
1070	1089 9625 33	1	Pressure transducer		3070	0605 8700 36	1	Bushing	
1080	1089 9625 33	1	Pressure transducer		3080	0661 1000 27	1	Seal washer	
1090	1089 9625 36	1	Pressure transducer		3090	0575 0361 18	1	Hose assembly	
1100	1089 9625 01	1	Dp transducer		3100	0661 1000 24	1	Seal washer	
1110	1900 0712 92	1	Regulator		3110	1079 5840 01	1	Nipple	
1120	0160 6038 00	4	Screw		3120	0574 9917 14	1	Hose assembly	
1130	0301 2315 00	4	Washer		3130	1619 5205 00	1	Nipple	
1135	0160 6021 00	2	Slotted screw		3140	0661 1000 25	1	Seal washer	
1138	0301 2309 00	2	Washer		3150	0686 3716 01	1	Plug	
1150	1623 1426 00	1	Wire harness		3160	0661 1000 25	1	Seal washer	
1160	1089 0637 24	1	Switch temp.		3170	0575 0784 55	1	Hose assembly	
1165	0686 3115 69	1	Plug		3180	1079 5840 15	1	Nipple	
2040	1613 5330 10	1	Listing mark		3190	0661 1000 27	1	Seal washer	
2050	1613 3431 00	1	Label		3194	0661 1000 27	1	Seal washer	
			<b>Air cooled</b>		3196	0686 3716 15	1	Plug	
			<b>5.2 bar(e)</b>		3200	0571 0036 25	1	Nipple hexagon	
			<b>5.5 bar(e)</b>		3210	0661 1000 26	1	Seal washer	
			<b>6.9 bar(e)</b>		3230	0160 6045 00	2	Screw	
			<b>7.5 bar(e)</b>		3240	1089 0668 21	1	Valve solenoid	
			<b>8.5 bar(e)</b>					<b>Water cooled</b>	
			<b>8.6 bar(e)</b>					<b>5.2 bar(e)</b>	
			<b>10 bar(e)</b>					<b>5.5 bar(e)</b>	
3010	0661 1000 24	1	Seal washer					<b>6.9 bar(e)</b>	
3020	1615 3624 00	1	Nozzle					<b>7.5 bar(e)</b>	
3030	0661 1000 24	1	Seal washer					<b>8.5 bar(e)</b>	
3040	1079 5840 01	1	Nipple					<b>8.6 bar(e)</b>	
3050	0661 1000 25	1	Seal washer					<b>10 bar(e)</b>	
3060	0580 0400 03	1	Str.coupling		3010	0661 1000 24	1	Seal washer	
3070	0605 8700 36	1	Bushing		3020	1615 3624 00	1	Nozzle	
3080	0661 1000 27	1	Seal washer		3030	0661 1000 24	1	Seal washer	
3090	0575 0361 18	1	Hose assembly		3040	1079 5840 01	1	Nipple	
3100	0661 1000 24	1	Seal washer		3050	0661 1000 25	1	Seal washer	
3110	1079 5840 01	1	Nipple		3060	0580 0400 03	1	Str.coupling	
3120	0574 9917 14	1	Hose assembly		3070	0605 8700 36	1	Bushing	
3130	1619 5205 00	1	Nipple		3080	0661 1000 27	1	Seal washer	
3140	0661 1000 25	1	Seal washer		3090	0575 0361 18	1	Hose assembly	
3150	0686 3716 01	1	Plug		3100	0661 1000 24	1	Seal washer	
3160	0661 1000 25	1	Seal washer		3110	1079 5840 01	1	Nipple	
3170	0575 0784 57	1	Hose assembly		3120	0574 9917 14	1	Hose assembly	
3180	1079 5840 15	1	Nipple		3130	1619 5205 00	1	Nipple	
3190	0661 1000 27	1	Seal washer		3140	0661 1000 25	1	Seal washer	
3194	0661 1000 27	1	Seal washer		3150	0686 3716 01	1	Plug	
3196	0686 3716 15	1	Plug		3160	0661 1000 25	1	Seal washer	
3200	0571 0036 25	1	Nipple hexagon		3170	0575 0784 55	1	Hose assembly	
3210	0661 1000 26	1	Seal washer		3180	1079 5840 15	1	Nipple	
3230	0160 6045 00	2	Screw		3190	0661 1000 27	1	Seal washer	

# 48



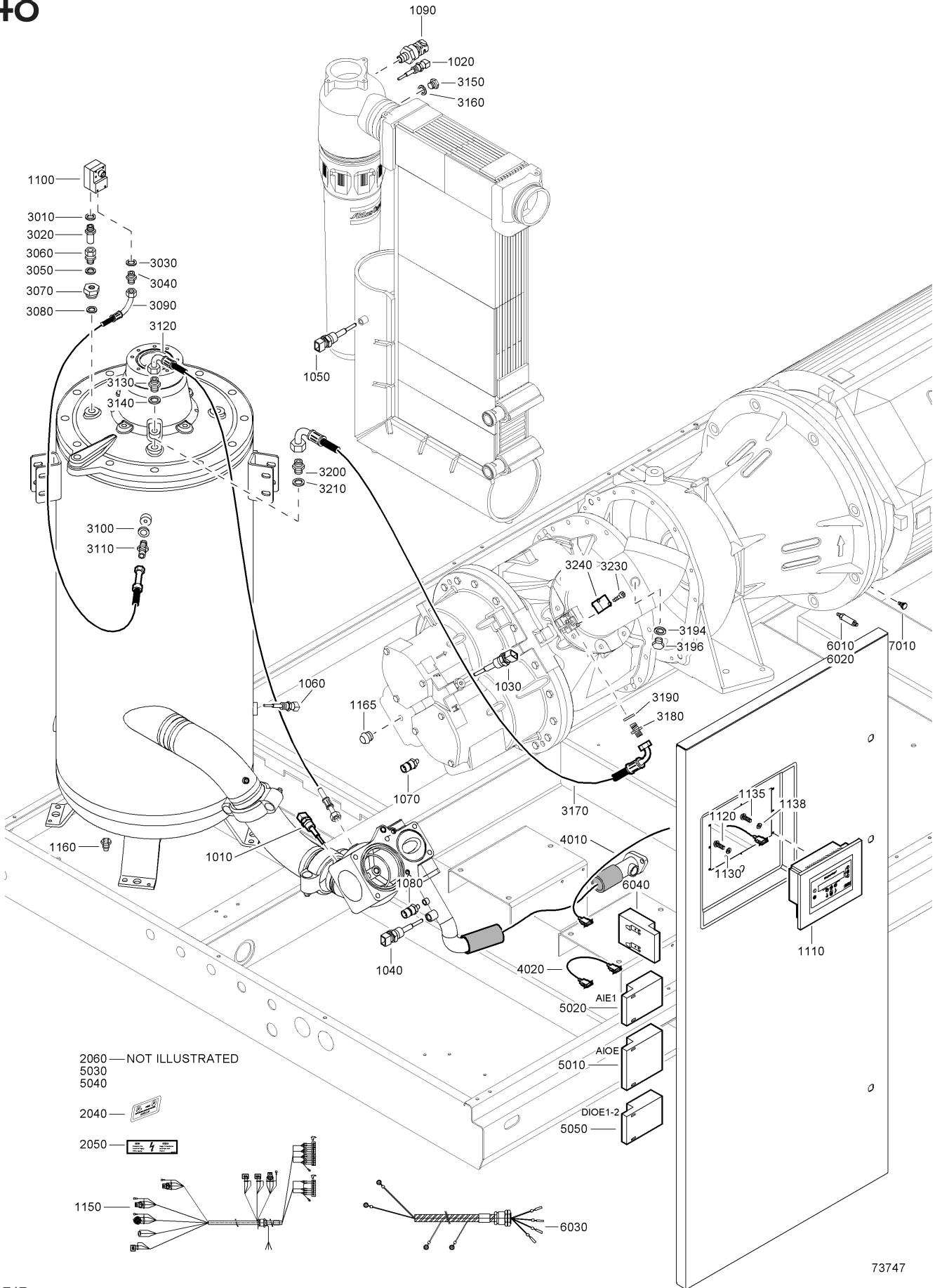
73747

73747

## Regulating system

Ref.	Partnumber	Qty	Name	Remarks	Ref.	Partnumber	Qty	Name	Remarks
3194	0661 1000 27	1	Seal washer		4020	1622 0661 02	2	Cable	<b>Pack - With PT 1000s in the windings, SPM monitoring equipment and Phase sequence relay</b>
3196	0686 3716 15	1	Plug		4010	1622 0661 04	1	Cable	
3200	0571 0036 25	1	Nipple hexagon		4020	1622 0661 02	3	Cable	
3210	0661 1000 26	1	Seal washer		4010	1622 0661 04	1	Cable	
3230	0160 6045 00	2	Screw		4020	1622 0661 02	2	Cable	
3240	1089 0668 21	1	Valve solenoid						
			<b>GA 90+</b>						
			<b>GA 110</b>						
			<b>GA 110+</b>						
			<b>GA 132</b>						
			<b>GA 132+</b>						
			<b>GA 160+</b>						
			<b>8.6 bar(e)</b>						
			<b>8.5 bar(e)</b>						
			<b>10.4 bar(e)</b>		4010	1622 0661 04	1	Cable	
			<b>10 bar(e)</b>		4020	1622 0661 02	3	Cable	
			<b>13.8 bar(e)</b>						
			<b>14 bar(e)</b>						
3010	0661 1000 24	1	Seal washer						
3020	1615 3624 00	1	Nozzle		4010	1622 0661 04	1	Cable	
3030	0661 1000 24	1	Seal washer		4020	1622 0661 02	4	Cable	
3040	1079 5840 01	1	Nipple						
3050	0661 1000 25	1	Seal washer						
3060	0580 0400 03	1	Str.coupling		4010	1622 0661 04	1	Cable	
3070	0605 8700 36	1	Bushing						
3080	0661 1000 27	1	Seal washer		4010	1622 0661 04	1	Cable	
3090	0575 0361 18	1	Hose assembly		4020	1622 0661 02	1	Cable	
3100	0661 1000 24	1	Seal washer						
3110	1079 5840 01	1	Nipple						
3120	0574 9917 14	1	Hose assembly		4010	1622 0661 04	1	Cable	
3130	1619 5205 00	1	Nipple		4020	1622 0661 02	1	Cable	
3140	0661 1000 25	1	Seal washer						
3150	0686 3716 01	1	Plug						
3160	0661 1000 25	1	Seal washer		4010	1622 0661 04	1	Cable	
3170	0575 0784 38	1	Flexible		4020	1622 0661 02	2	Cable	
3180	1079 5840 15	1	Nipple						
3190	0661 1000 27	1	Seal washer						
3194	0661 1000 27	1	Seal washer		4010	1622 0661 04	1	Cable	
3196	0686 3716 15	1	Plug		4020	1622 0661 02	1	Cable	
3200	0571 0036 25	1	Nipple hexagon						
3210	0661 1000 26	1	Seal washer						
3230	0160 6045 00	2	Screw		4010	1622 0661 04	1	Cable	
3240	1089 0668 21	1	Valve solenoid		4020	1622 0661 02	2	Cable	
			<b>Electrical equipment</b>						
			<b>Air cooled</b>		4010	1622 0661 04	1	Cable	
			<b>Pack</b>		4020	1622 0661 02	1	Cable	
4010	1622 0661 04	1	Cable						
			<b>Pack - SPM monitoring equipment</b>		4010	1622 0661 04	1	Cable	
			<b>Pack - With PT 1000s in the windings</b>		4020	1622 0661 02	2	Cable	
			<b>Pack - Phase sequence relay</b>		4010	1622 0661 04	1	Cable	
4010	1622 0661 04	1	Cable		4020	1622 0661 02	2	Cable	
4020	1622 0661 02	1	Cable						
			<b>Pack - With PT 1000s in the windings and SPM monitoring equipment</b>		4010	1622 0661 04	1	Cable	
			<b>Pack - SPM monitoring equipment and Phase sequence relay</b>		4020	1622 0661 02	3	Cable	
			<b>Pack - With PT 1000s in the windings and Phase sequence relay</b>		4010	1622 0661 04	1	Cable	
4010	1622 0661 04	1	Cable		4020	1622 0661 02	2	Cable	
			<b>Pack - SPM monitoring</b>						

# 48



73747

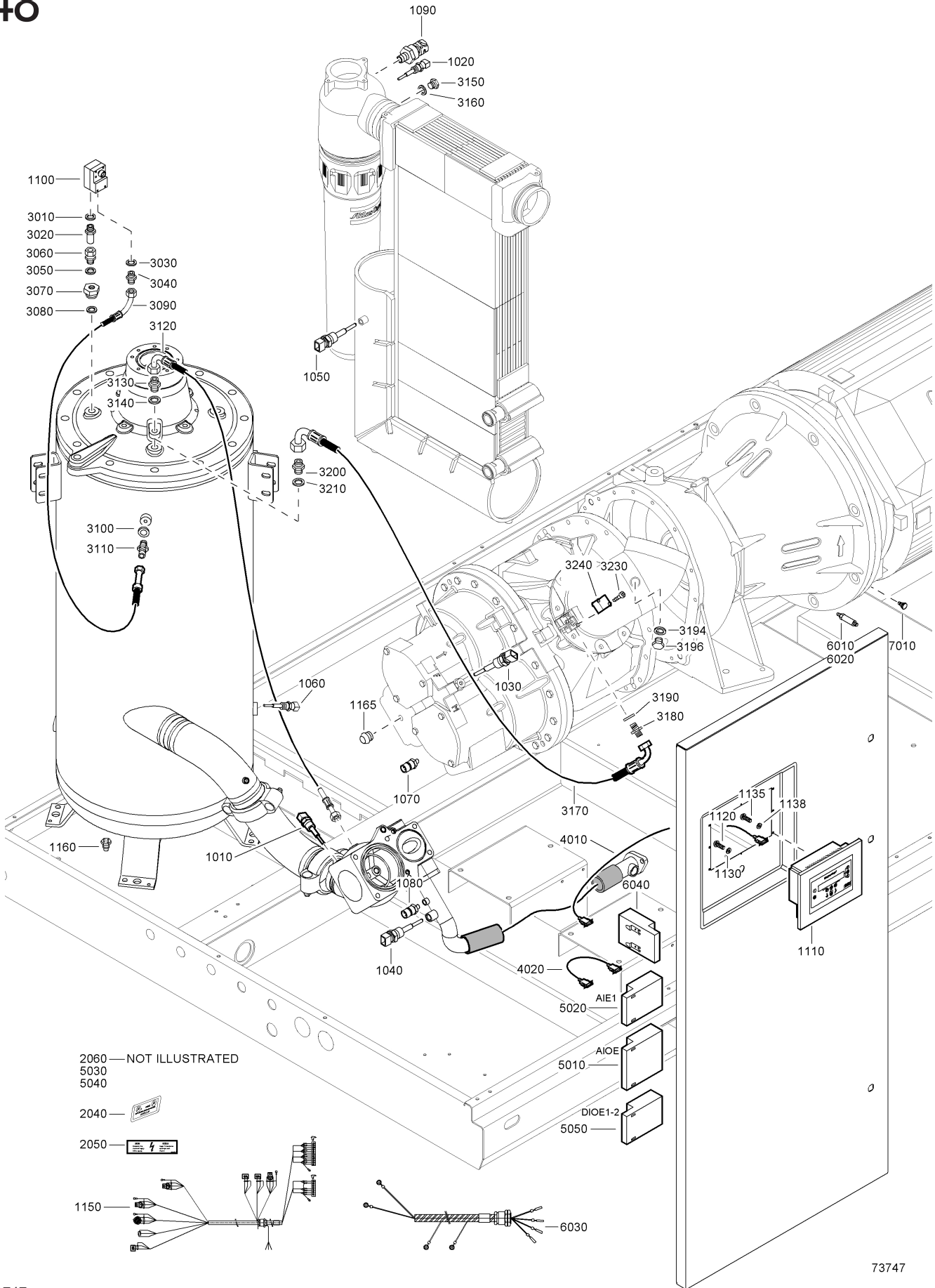
73747



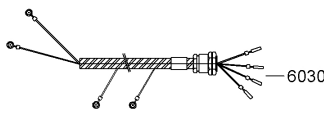
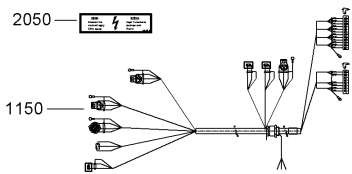
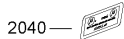
## Regulating system

Ref.	Partnumber	Qty	Name	Remarks	Ref.	Partnumber	Qty	Name	Remarks
4010	1622 0661 04	1	Cable	<b>equipment and Phase sequence relay</b>	4010	1622 0661 04	1	Cable	
4020	1622 0661 02	3	Cable		4020	1622 0661 02	3	Cable	
4010	1622 0661 04	1	Cable	<b>Pack - With PT 1000s in the windings and Phase sequence relay</b>	4010	1622 0661 04	1	Cable	<b>Full Feature - DD filter and With PT 1000s in the windings</b>
4020	1622 0661 02	2	Cable		4020	1622 0661 02	4	Cable	
4010	1622 0661 04	1	Cable	<b>Pack - With PT 1000s in the windings and Phase sequence relay</b>	4010	1622 0661 04	1	Cable	<b>Full Feature - With PT 1000s in the windings and SPM monitoring equipment</b>
4020	1622 0661 02	3	Cable		4020	1622 0661 02	3	Cable	
4010	1622 0661 04	1	Cable	<b>Pack - With PT 1000s in the windings, SPM monitoring equipment and Phase sequence relay</b>	4010	1622 0661 04	1	Cable	<b>Full Feature - With PT 1000s in the windings and SPM monitoring equipment</b>
4020	1622 0661 02	3	Cable		4020	1622 0661 02	4	Cable	
4010	1622 0661 04	1	Cable	<b>Pack - With PT 1000s in the windings, SPM monitoring equipment and Phase sequence relay</b>	4010	1622 0661 04	1	Cable	<b>Full Feature - DD filter, With PT 1000s in the windings and SPM monitoring equipment</b>
4020	1622 0661 02	4	Cable		4020	1622 0661 02	4	Cable	
4010	1622 0661 04	1	Cable	<b>Full Feature</b>	4010	1622 0661 04	1	Cable	<b>Full Feature - DD filter, With PT 1000s in the windings and SPM monitoring equipment</b>
4020	1622 0661 02	1	Cable		4020	1622 0661 02	5	Cable	
4010	1622 0661 04	1	Cable	<b>Full Feature</b>	4010	1622 0661 04	1	Cable	<b>Energy recovery Pack</b>
4020	1622 0661 02	2	Cable		4020	1622 0661 02	2	Cable	
4010	1622 0661 04	1	Cable	<b>Full Feature - SPM monitoring equipment</b>	4010	1622 0661 04	1	Cable	<b>Pack - SPM monitoring equipment</b>
4020	1622 0661 02	2	Cable		4020	1622 0661 02	3	Cable	<b>Pack - With PT 1000s in the windings</b>
4010	1622 0661 04	1	Cable	<b>Full Feature - SPM monitoring equipment</b>	4010	1622 0661 04	1	Cable	<b>Pack - Phase sequence relay</b>
4020	1622 0661 02	3	Cable		4020	1622 0661 02	3	Cable	
4010	1622 0661 04	1	Cable	<b>Full Feature - With PT 1000s in the windings</b>	4010	1622 0661 04	1	Cable	<b>Pack - With PT 1000s in the windings and SPM monitoring equipment</b>
4020	1622 0661 02	2	Cable		4020	1622 0661 02	4	Cable	<b>Pack - SPM monitoring equipment and Phase sequence relay</b>
4010	1622 0661 04	1	Cable	<b>Full Feature - With PT 1000s in the windings</b>	4010	1622 0661 04	1	Cable	<b>Pack - With PT 1000s in the windings and Phase sequence relay</b>
4020	1622 0661 02	3	Cable		4020	1622 0661 02	4	Cable	
4010	1622 0661 04	1	Cable	<b>Full Feature - DD filter</b>	4010	1622 0661 04	1	Cable	<b>Pack - With PT 1000s in the windings, SPM monitoring equipment and Phase sequence relay</b>
4020	1622 0661 02	2	Cable		4020	1622 0661 02	5	Cable	
4010	1622 0661 04	1	Cable	<b>Full Feature - DD filter</b>	4010	1622 0661 04	1	Cable	<b>Full Feature</b>
4020	1622 0661 02	3	Cable		4020	1622 0661 02	3	Cable	
4010	1622 0661 04	1	Cable	<b>Full Feature - DD filter and SPM monitoring equipment</b>	4010	1622 0661 04	1	Cable	<b>Full Feature - SPM monitoring equipment</b>
4020	1622 0661 02	3	Cable		4020	1622 0661 02	3	Cable	<b>Full Feature - With PT 1000s in the windings</b>
4010	1622 0661 04	1	Cable	<b>Full Feature - DD filter and With PT 1000s in the windings</b>	4010	1622 0661 04	1	Cable	
4020	1622 0661 02	4	Cable		4020	1622 0661 02	1	Cable	

# 48



2060 — NOT ILLUSTRATED  
 5030  
 5040



73747

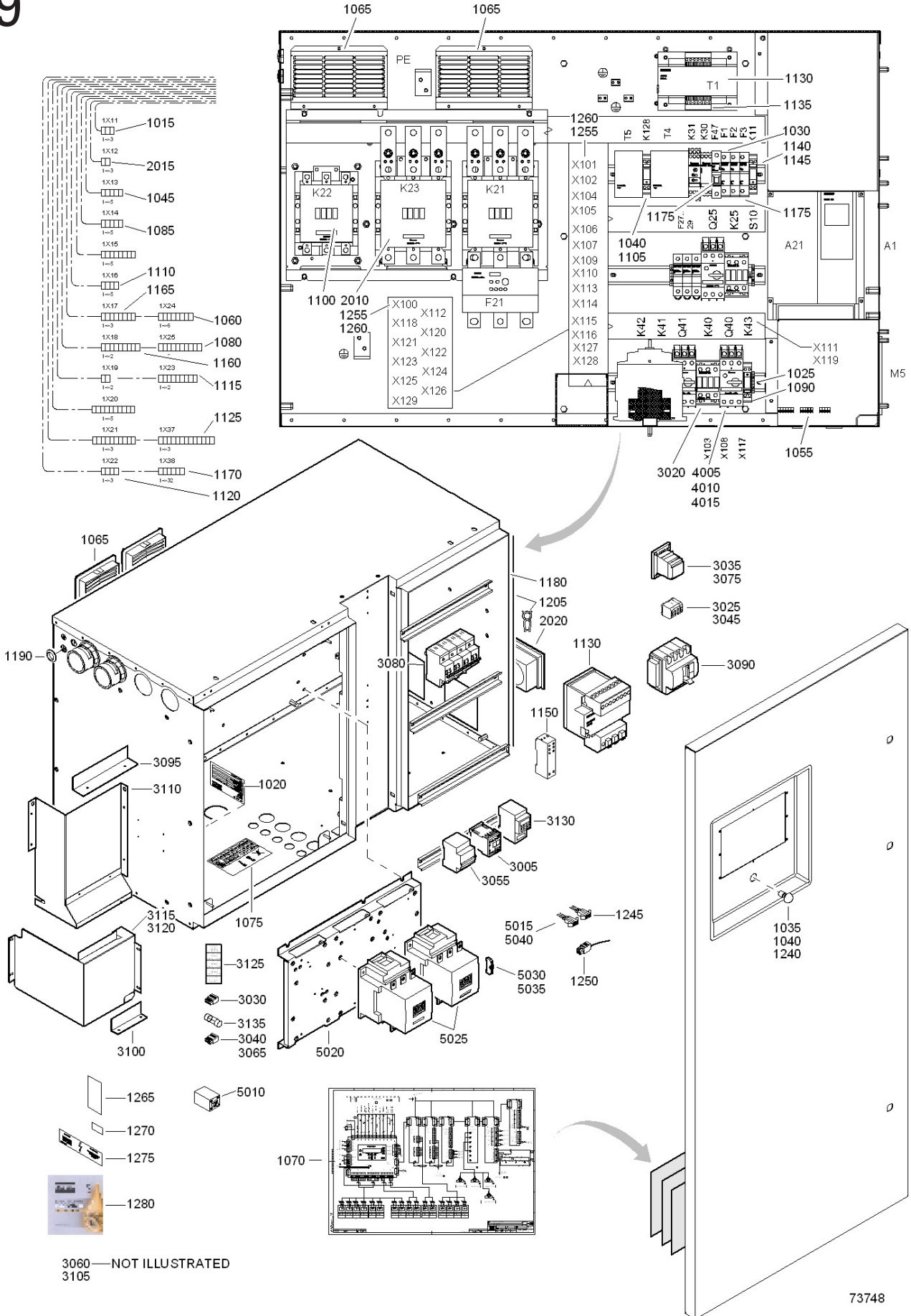
73747

## Regulating system

48

Ref.	Part number	Qty	Name	Remarks	Ref.	Part number	Qty	Name	Remarks
4020	1622 0661 02	4	Cable <b>Full Feature - With PT 1000s in the windings and SPM monitoring equipment</b>		5040	1900 0711 51	1	<b>Energy recovery</b> Regulator <b>Pack - Phase sequence relay</b> <b>Full feature</b>	
4010	1622 0661 04	1	Cable		5050	1900 0710 71	1	Regulator <b>SPM monitoring equipment</b>	
4020	1622 0661 02	5	Cable <b>Electrical system</b>		6010	1089 0457 06	2	Shock transducer	
5010	1900 0710 71	1	Regulator <b>DD filter</b> <b>Energy recovery</b> <b>Air cooled Full Feature</b>		6020	1089 0457 04	2	Shock transducer	
5020	1900 0710 41	1	Regulator <b>With PT 1000s in the windings</b>		6030	1623 1753 00	1	Wiring	
5030	1900 0710 82	1	Regulator <b>Water cooled 13.8bar(e)</b> <b>Water cooled 14bar(e)</b>		6040	1089 0457 76	1	Alarm unit	
					7010	1619 6032 00	2	<b>SPM</b> Nipple	
					1)	5.2 bar(e), 5.5 bar(e), 6.9 bar(e), 7.5 bar(e), 8.5 bar(e), 8.6 bar(e), 10 bar(e), 10.4 bar(e)			
					2)	13.8 bar(e), 14 bar(e)			

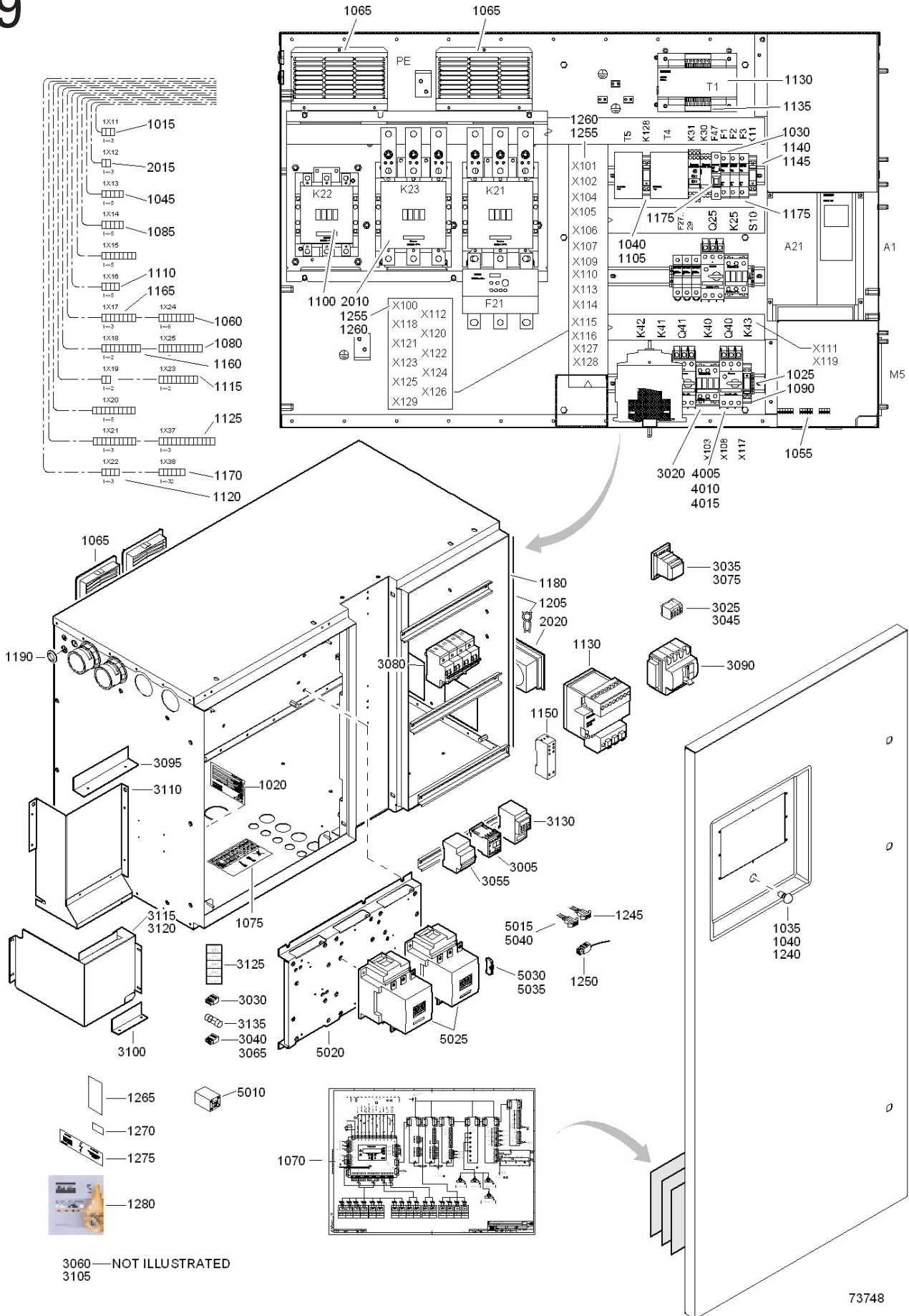
# 49



## Cubicle converter

Ref.	Partnumber	Qty	Name	Remarks	Ref.	Partnumber	Qty	Name	Remarks
			<b>Control system</b>					<b>Pack 400V IEC</b>	
			<b>IEC</b>			<b>1900 3180 12</b>	<b>1</b>	<b>Control panel</b>	
			<b>Pack 380V</b>		1010	1089 0362 58	• 1	Contact block	
			<b>Pack 440V</b>		1015	1088 0037 31	• 2	Connector	
			<b>Pack 500V</b>		1020	1613 6639 20	• 1	Data plate	
			<b>Pack 525V</b>		1025	1088 0037 30	• 9	Connector	
			<b>Pack 550V</b>		1030	1089 9168 26	• 2	Fuse link	
			<b>Pack - Phase sequence relay</b>		1035	1089 0362 51	• 1	Stop button	
			<b>Pack - Anticondensation</b>		1040	1089 9511 57	• 1	Clip	
			<b>heater</b>		1045	1088 0031 64	• 1	Connector	
			<b>Full Feature</b>		1050	1089 0700 02	• 1	Contact	
	<b>1900 3180 11</b>	<b>1</b>	<b>Control panel</b>		1055	1088 0031 18	• 6	Adaptor	
1010	1089 0362 58	• 1	Contact block		1060	1088 0037 08	• 1	Connector	
1015	1088 0037 31	• 2	Connector		1065	1089 9556 21	• 2	Filter	
1020	1613 6639 20	• 1	Data plate		1070	9823 1902 05	• 1	Service diagram	
1025	1088 0037 30	• 9	Connector		1075	1079 9925 69	• 1	Label	
1030	1089 9168 26	• 2	Fuse link		1080	1088 0037 10	• 1	Connector	
1035	1089 0362 51	• 1	Stop button		1085	1088 0031 84	• 1	Connector	
1040	1089 9511 57	• 1	Clip		1090	1088 0031 08	• 1	Connector	
1045	1088 0031 64	• 1	Connector		1100	1089 9415 07	• 1	Contact block	
1050	1089 0700 02	• 1	Contact		1105	1089 9511 15	• 1	Module com1	
1055	1088 0031 18	• 6	Adaptor		1110	1088 0037 04	• 1	Connector	
1060	1088 0037 08	• 1	Connector		1115	1088 0031 29	• 1	Connector	
1065	1089 9556 21	• 2	Filter		1120	1088 0037 32	• 1	Connector	
1070	9823 1902 05	• 1	Service diagram		1125	1088 0031 13	• 1	Connector	
1075	1079 9925 69	• 1	Label		1130	1089 9437 59	• 1	Transformer	
1080	1088 0037 10	• 1	Connector		1135	1089 0700 04	• 8	Contact	
1085	1088 0031 84	• 1	Connector		1140	1088 0031 30	• 1	Connector	
1090	1088 0031 08	• 1	Connector		1145	1088 0031 90	• 1	Connector	
1100	1089 9415 07	• 1	Contact block		1150	1089 9511 04	• 1	Relay	
1105	1089 9511 15	• 1	Module com1		1155	1088 0015 02	• 2	Contact	
1110	1088 0037 04	• 1	Connector		1160	1088 0031 49	• 1	Connector	
1115	1088 0031 29	• 1	Connector		1165	1088 0031 88	• 1	Connector	
1120	1088 0037 32	• 1	Connector		1170	1088 0037 34	• 1	Connector	
1125	1088 0031 13	• 1	Connector		1175	1089 0612 01	• 2	Fuse holder	
1130	1089 9437 58	• 1	Transformer		<b>1180 1621 7149 80</b>	<b>• 1</b>	<b>Cubicle</b>		
1135	1089 0700 04	• 8	Contact			<b>•• 1</b>	<b>Cubicle</b>		
1140	1088 0031 30	• 1	Connector			1202 6584 00	<b>•• AR</b>	Seal	
1145	1088 0031 90	• 1	Connector		1185	1088 0015 36	• 4	Connector pin	
1150	1089 9511 04	• 1	Relay		1205	1202 6584 00	• AR	Seal	
1155	1088 0015 02	• 2	Contact			<b>1900 3184 13</b>	<b>1</b>	<b>Control panel</b>	
1160	1088 0031 49	• 1	Connector		2010	1089 9415 07	• 1	Contact block	
1165	1088 0031 88	• 1	Connector		2015	1088 0037 62	• 1	Connector	
1170	1088 0037 34	• 1	Connector		2020	1089 0598 05	• 2	Fan	
1175	1089 0612 01	• 2	Fuse holder					<b>CSA-UL</b>	
<b>1180 1621 7149 80</b>	<b>•• 1</b>	<b>Cubicle</b>				<b>1900 3180 17</b>	<b>1</b>	<b>Control panel</b>	
					1010	1089 0362 58	• 1	Contact block	
	1202 6584 00	<b>•• AR</b>	Seal		1015	1088 0037 31	• 2	Connector	
1185	1088 0015 36	• 4	Connector pin		1020	1614 8949 23	• 1	Data plate	
1205	1202 6584 00	• AR	Seal		1025	1088 0037 30	• 9	Connector	
	<b>1900 3184 13</b>	<b>1</b>	<b>Control panel</b>		1030	1089 9168 26	• 2	Fuse link	
2010	1089 9415 07	• 1	Contact block		1035	1089 0362 51	• 1	Stop button	
2015	1088 0037 62	• 1	Connector		1040	1089 9511 57	• 1	Clip	
2020	1089 0598 05	• 2	Fan		1045	1088 0031 64	• 1	Connector	

49



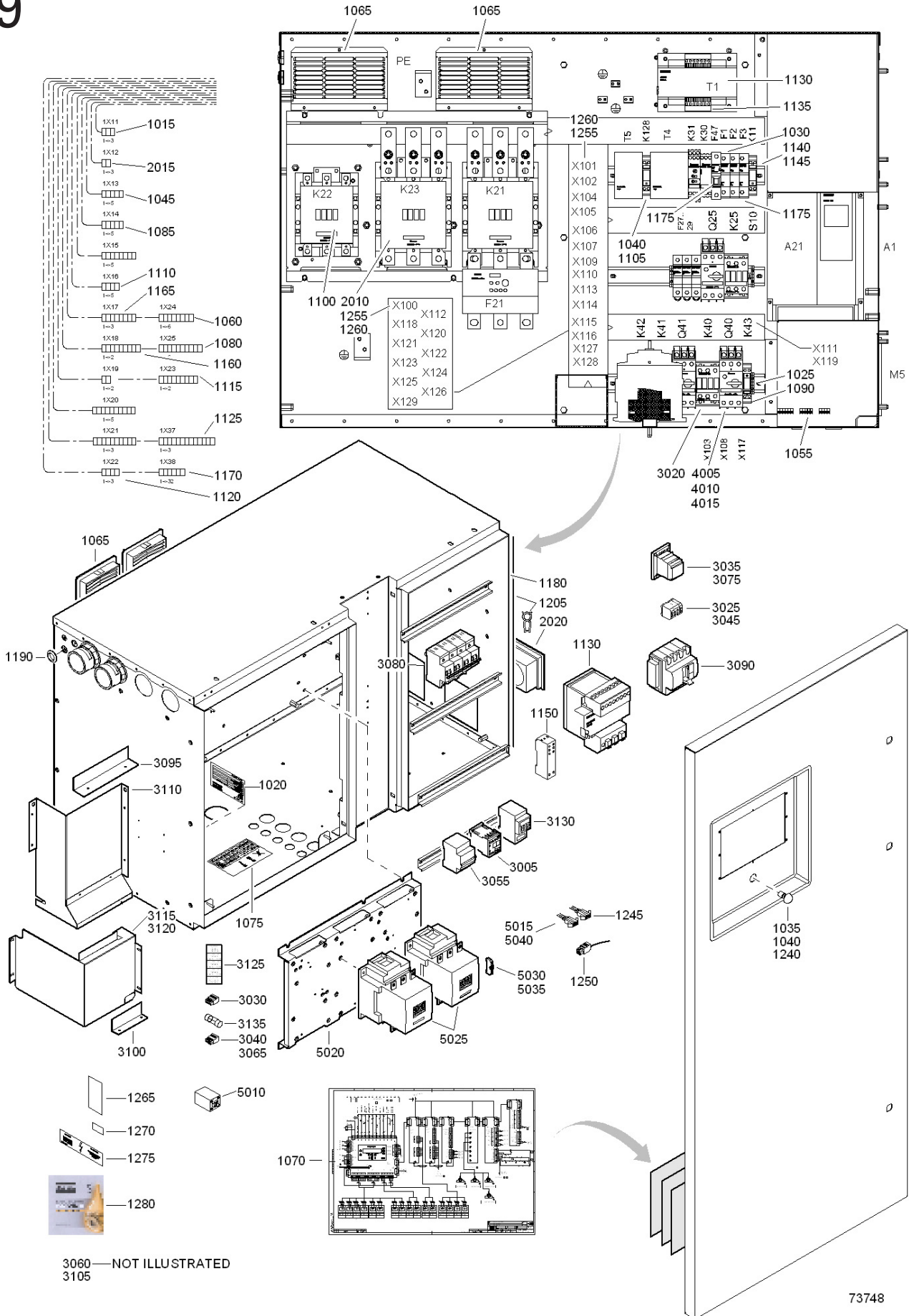
73748

73748

## Cubicle converter

Ref.	Part number	Qty	Name	Remarks	Ref.	Part number	Qty	Name	Remarks
1050	1089 0700 02	• 1	Contact		1085	1088 0031 84	• 1	Connector	
1055	1088 0031 18	• 6	Adaptor		1090	1088 0031 08	• 1	Connector	
1060	1088 0037 08	• 1	Connector		1100	1089 9415 07	• 1	Contact block	
1065	1089 9556 21	• 2	Filter		1105	1089 9511 15	• 1	Module com1	
1070	9823 1902 05	• 1	Service diagram		1110	1088 0037 04	• 1	Connector	
1075	1079 9925 69	• 1	Label		1115	1088 0031 29	• 1	Connector	
1080	1088 0037 10	• 1	Connector		1120	1088 0037 32	• 1	Connector	
1085	1088 0031 84	• 1	Connector		1125	1088 0031 13	• 1	Connector	
1090	1088 0031 08	• 1	Connector		1130	1089 9437 63	• 1	Transformer	
1100	1089 9415 07	• 1	Contact block		1135	1089 0700 04	• 8	Contact	
1105	1089 9511 15	• 1	Module com1		1140	1088 0031 30	• 1	Connector	
1110	1088 0037 04	• 1	Connector		1145	1088 0031 90	• 1	Connector	
1115	1088 0031 29	• 1	Connector		1150	1089 9511 04	• 1	Relay	
1120	1088 0037 32	• 1	Connector		1155	1088 0015 02	• 2	Contact	
1125	1088 0031 13	• 1	Connector		1160	1088 0031 49	• 1	Connector	
1130	1089 9437 58	• 1	Transformer		1165	1088 0031 88	• 1	Connector	
1135	1089 0700 04	• 8	Contact		1170	1088 0037 34	• 1	Connector	
1140	1088 0031 30	• 1	Connector		1175	1089 0612 01	• 2	Fuse holder	
1145	1088 0031 90	• 1	Connector		<b>1180</b>	<b>1621 7149 80</b>	<b>• 1</b>	<b>Cubicle</b>	
1150	1089 9511 04	• 1	Relay				<b>•• 1</b>	<b>Cubicle</b>	
1155	1088 0015 02	• 2	Contact			1202 6584 00	<b>•• AR</b>	Seal	
1160	1088 0031 49	• 1	Connector		1185	1088 0015 36	• 4	Connector pin	
1165	1088 0031 88	• 1	Connector		1205	1202 6584 00	• AR	Seal	
1170	1088 0037 34	• 1	Connector			<b>1900 3184 10</b>	<b>1</b>	<b>Control panel</b>	
1175	1089 0612 02	• 2	Fuse holder		2005	1623 1594 12	• 2	Plate	
<b>1180</b>	<b>1621 7149 80</b>	<b>• 1</b>	<b>Cubicle</b>		2010	1089 9415 07	• 1	Contact block	
		<b>•• 1</b>	<b>Cubicle</b>		2015	1088 0037 62	• 1	Connector	
	1202 6584 00	<b>•• AR</b>	Seal					<b>CSA-UL - High ambient condition</b>	
1185	1088 0015 36	• 4	Connector pin			<b>1900 3180 14</b>	<b>1</b>	<b>Control panel</b>	
1205	1202 6584 00	• AR	Seal		1010	1089 0362 58	• 1	Contact block	
1225	1079 9924 26	• 1	Label		1015	1088 0037 31	• 2	Connector	
1230	1079 9911 01	• 1	Label		1020	1614 8949 23	• 1	Dataplate	
1235	1613 3431 00	• 1	Label		1025	1088 0037 30	• 9	Connector	
	<b>1900 3184 63</b>	<b>1</b>	<b>Control panel</b>		1030	1089 9168 34	• 2	Fuse	
2010	1089 9415 07	• 1	Contact block		1035	1089 0362 51	• 1	Stop button	
2015	1088 0037 62	• 1	Connector		1040	1089 9511 57	• 1	Clip	
2020	1089 0598 04	• 2	Fanmotor		1045	1088 0031 64	• 1	Connector	
			<b>IEC - High ambient condition</b>		1050	1089 0700 02	• 1	Contact	
	<b>1900 3180 13</b>	<b>1</b>	<b>Control panel</b>		1055	1088 0031 18	• 6	Adaptor	
1010	1089 0362 58	• 1	Contact block		1060	1088 0037 08	• 1	Connector	
1015	1088 0037 31	• 2	Connector		1065	1089 9556 21	• 2	Filter	
1020	1613 6639 20	• 1	Data plate		1070	9823 1902 05	• 1	Service diagram	
1025	1088 0037 30	• 9	Connector		1075	1079 9925 69	• 1	Label	
1030	1089 9168 34	• 2	Fuse		1080	1088 0037 10	• 1	Connector	
1035	1089 0362 51	• 1	Stop button		1085	1088 0031 84	• 1	Connector	
1040	1089 9511 57	• 1	Clip		1090	1088 0031 08	• 1	Connector	
1045	1088 0031 64	• 1	Connector		1100	1089 9415 07	• 1	Contact block	
1050	1089 0700 02	• 1	Contact		1105	1089 9511 15	• 1	Module com1	
1055	1088 0031 18	• 6	Adaptor		1110	1088 0037 04	• 1	Connector	
1060	1088 0037 08	• 1	Connector		1115	1088 0031 29	• 1	Connector	
1065	1089 9556 21	• 2	Filter		1120	1088 0037 32	• 1	Connector	
1070	9823 1902 05	• 1	Service diagram		1125	1088 0031 13	• 1	Connector	
1075	1079 9925 69	• 1	Label		1130	1089 9437 63	• 1	Transformer	
1080	1088 0037 10	• 1	Connector						

49



3060 — NOT ILLUSTRATED  
3105

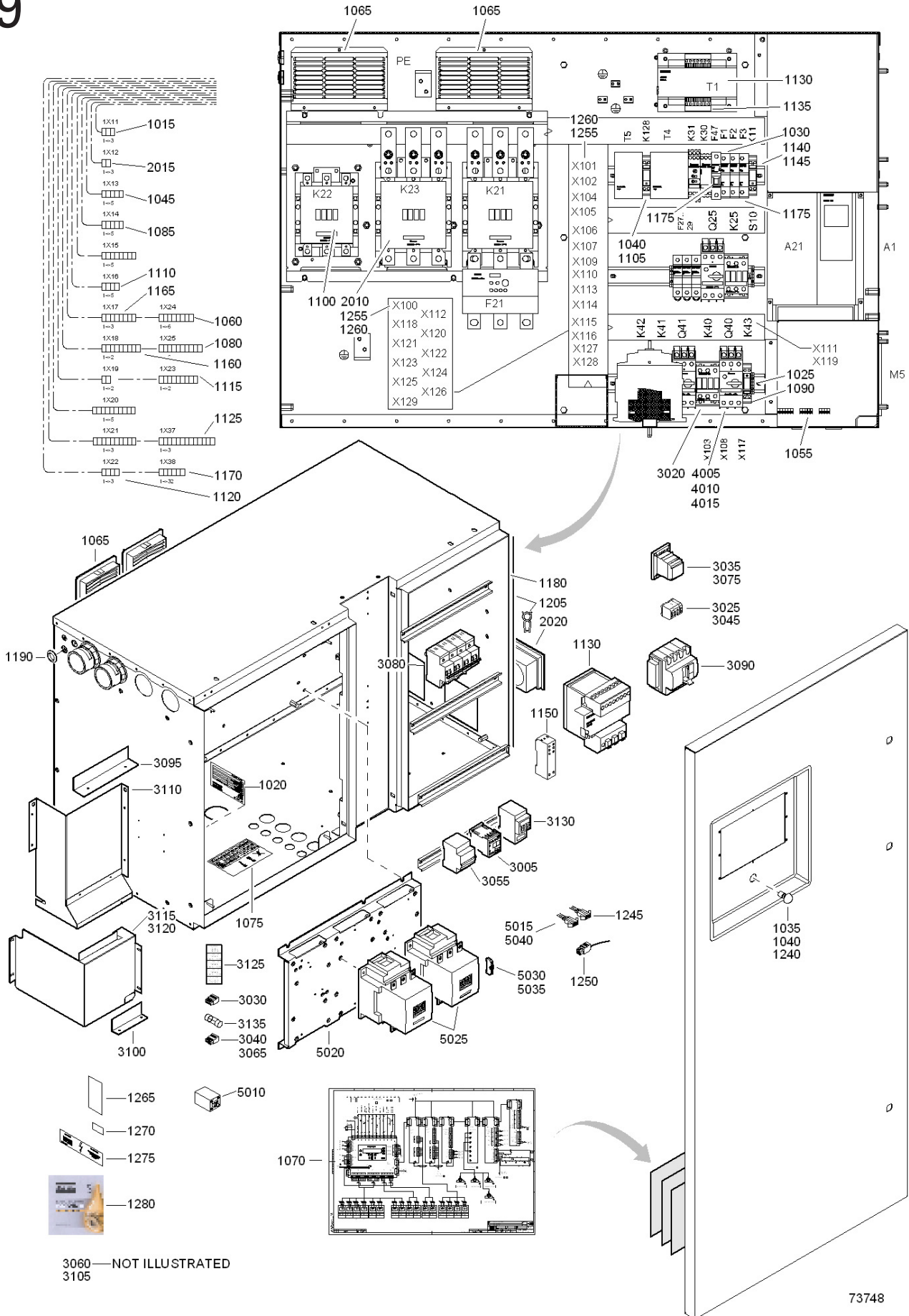
73748



## Cubicle converter

Ref.	Partnumber	Qty	Name	Remarks	Ref.	Partnumber	Qty	Name	Remarks
1135	1089 0700 04	• 8	Contact		1170	1088 0037 34	• 1	Connector	
1140	1088 0031 30	• 1	Connector		1175	1089 0612 02	• 2	Fuse holder	
1145	1088 0031 90	• 1	Connector		<b>1180</b>	<b>1623 2890 80</b>	• <b>1</b>	<b>Cubicle</b>	
1150	1089 9511 04	• 1	Relay				•• 1	Cubicle	
1155	1088 0015 02	• 2	Contact			1202 6584 00	•• AR	Seal	
1160	1088 0031 49	• 1	Connector		1185	1088 0015 36	• 4	Connector pin	
1165	1088 0031 88	• 1	Connector		1195	0697 9809 20	• 2	Lock nut	
1170	1088 0037 34	• 1	Connector		1200	0697 9810 25	• 2	Plug	
1175	1089 0612 02	• 2	Fuse holder		1205	1613 3431 00	• 1	Label	
<b>1180</b>	<b>1621 7149 80</b>	• <b>1</b>	<b>Cubicle</b>		1215	0697 9809 21	• 2	Lock nut	
		•• 1	Cubicle		1220	0697 9810 26	• 2	Plug	
	1202 6584 00	•• AR	Seal		1225	1079 9924 26	• 1	Label	
1185	1088 0015 36	• 4	Connector pin		1230	1079 9911 01	• 1	Label	
1205	1202 6584 00	• 5	Seal			<b>1900 3184 63</b>	<b>1</b>	<b>Control panel</b>	
1225	1079 9911 01	• 1	Label		2010	1089 9415 07	• 1	Contact block	
1230	1079 9925 28	• 1	Label		2015	1088 0037 62	• 1	Connector	
1235	1613 3431 00	• 1	Label		2020	1089 0598 04	• 2	Fanmotor	
	<b>1900 3184 10</b>	• <b>1</b>	<b>Control panel</b>					<b>GA 90+</b>	
2005	1623 1594 12	• 2	Plate					<b>Pack - TT or TN network</b>	
2010	1089 9415 07	• 1	Contact block					<b>380 V IEC</b>	
2015	1088 0037 62	• 1	Connector					<b>400 V IEC</b>	
			<b>NEMA 4-CSA-UL</b>					<b>440 V IEC</b>	
	<b>1900 3180 15</b>	<b>1</b>	<b>Control panel</b>			<b>1900 3182 61</b>	<b>1</b>	<b>Control panel</b>	
1010	1089 0362 58	• 1	Contact block		3005	1089 9549 94	1	Converter	
1015	1088 0037 31	• 2	Connector		3020	1089 0691 01	1	Connector	
1020	1614 8949 23	• 1	Dataplate		3025	1089 0506 32	1	Terminal	
1025	1088 0037 30	• 9	Connector		3030	1088 0031 62	3	Connector	
1030	1089 9168 26	• 2	Fuse link		3035	1089 9416 07	1	Contact block	
1035	1089 0362 51	• 1	Stop button		3040	1088 0037 30	2	Connector	
1040	1089 9511 57	• 1	Clip		3045	1089 0506 52	1	Terminal	
1045	1088 0031 64	• 1	Connector		3055	1089 9416 75	1	Connection block	
1050	1089 0700 02	• 1	Contact		3065	1088 0037 32	1	Connector	
1055	1088 0031 18	• 6	Adaptor		3075	1089 9415 21	1	Contact	
1060	1088 0037 08	• 1	Connector		3080	1089 9416 70	1	Circuit breaker	
1065	1089 9556 21	• 2	Filter		3090	1089 9302 01	1	Coil	
1070	9823 1902 05	• 1	Service diagram		3095	1623 7139 00	1	Plate	
1075	1079 9925 69	• 1	Label		3100	1623 7140 00	1	Plate	
1080	1088 0037 10	• 1	Connector		3105	1623 7141 00	1	Plate	
1085	1088 0031 84	• 1	Connector		3120	1623 4622 00	1	Plate	
1090	1088 0031 08	• 1	Connector		3130	1089 0506 27	1	Terminal	
1100	1089 9415 07	• 1	Contact block			<b>1900 3182 05</b>	<b>1</b>	<b>Control panel</b>	
1105	1089 9511 15	• 1	Module com1					<b>500 V IEC</b>	
1110	1088 0037 04	• 1	Connector					<b>525 V IEC</b>	
1115	1088 0031 29	• 1	Connector					<b>550 V IEC</b>	
1120	1088 0037 32	• 1	Connector		3005	1089 9338 66	• 1	Converter	
1125	1088 0031 13	• 1	Connector		3020	1089 0691 01	• 1	Connector	
1130	1089 9437 58	• 1	Transformer		3025	1089 0506 32	• 1	Terminal	
1135	1089 0700 04	• 8	Contact		3030	1088 0031 62	• 3	Connector	
1140	1088 0031 30	• 1	Connector		3035	1089 9416 07	• 1	Contact block	
1145	1088 0031 90	• 1	Connector		3040	1088 0037 30	• 2	Connector	
1150	1089 9511 04	• 1	Relay		3045	1089 0506 52	• 1	Terminal	
1155	1088 0015 02	• 2	Contact		3055	1089 9416 75	• 1	Connection block	
1160	1088 0031 49	• 1	Connector		3060	1089 9339 68	• 1	Filter	
1165	1088 0031 88	• 1	Connector		3065	1088 0037 32	• 1	Connector	

49



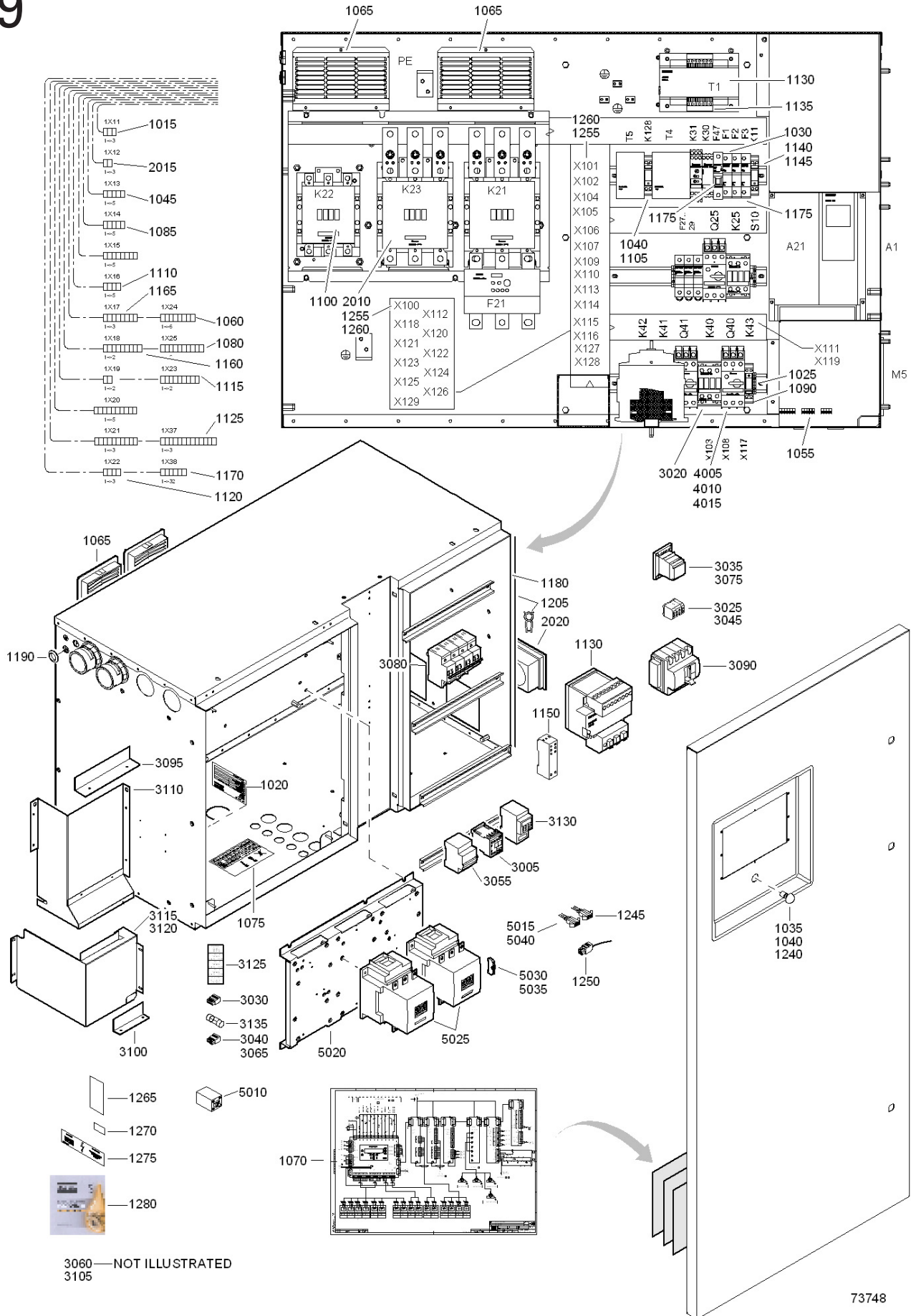
73748

73748

## Cubicle converter

Ref.	Partnumber	Qty	Name	Remarks	Ref.	Partnumber	Qty	Name	Remarks
3075	1089 9415 12	• 1	Contactora		3025	1089 0506 32	1	Terminal	
3080	1089 9416 69	• 1	Circuit breaker		3030	1088 0031 62	2	Connector	
3090	1089 9302 01	• 1	Coil		3035	1089 9416 07	1	Contact block	
3095	1623 1594 00	• 1	Plate		3040	1088 0037 30	2	Connector	
3100	1623 1594 01	• 1	Plate		3045	1089 0506 52	1	Terminal	
3110	1623 4621 00	• 1	Plate		3055	1089 9416 75	1	Connection block	
3115	1623 4622 00	• 1	Plate		3065	1088 0037 32	1	Connector	
			<b>GA 90+</b>		3075	1089 9415 23	1	Contactora	
			<b>460 V CSA-UL</b>		3080	1089 9416 72	1	Circuit breaker	
	<b>1900 3182 71</b>	<b>1</b>	<b>Control panel</b>		3095	1623 7139 00	1	Plate	
3005	1089 9549 94	1	Converter		3100	1623 7140 00	1	Plate	
3020	1089 0691 01	1	Connector		3105	1623 7142 00	1	Plate	
3025	1089 0506 32	1	Terminal		3120	1623 4623 00	1	Plate	
3030	1088 0031 62	3	Connector		3135	1089 9338 98	1	Contactora	
3040	1088 0037 30	2	Connector					<b>380V IEC</b>	
3045	1089 0506 52	1	Terminal					<b>400V IEC</b>	
3065	1088 0037 32	1	Connector					<b>440V IEC</b>	
3075	1089 9415 24	1	Contactora			<b>1900 3182 83</b>	<b>1</b>	<b>Control panel</b>	
3090	1089 9302 01	1	Coil		3005	1089 9338 64	1	Converter	
3095	1623 7139 00	1	Plate		3020	1089 0691 01	1	Connector	
3100	1623 7140 00	1	Plate		3025	1089 0506 32	1	Terminal	
3105	1623 7141 00	1	Plate		3030	1088 0031 62	2	Connector	
3120	1623 4622 00	1	Plate		3035	1089 9416 07	1	Contact block	
3130	1089 0506 27	1	Terminal		3040	1088 0037 30	2	Connector	
3140	1089 9168 60	3	Fuse		3045	1089 0506 52	1	Terminal	
3145	1089 0612 02	3	Fuse holder		3055	1089 9416 75	1	Connection block	
			<b>575 V CSA-UL</b>		3060	1089 9339 68	1	Filter	
	<b>1900 3182 15</b>	<b>1</b>	<b>Control panel</b>		3065	1088 0037 32	1	Connector	
3005	1089 9338 66	• 1	Converter		3075	1089 9415 23	1	Contactora	
3020	1089 0691 01	• 1	Connector		3080	1089 9416 72	1	Circuit breaker	
3025	1089 0506 32	• 1	Terminal		3095	1623 7139 00	1	Plate	
3030	1088 0031 62	• 3	Connector		3100	1623 7140 00	1	Plate	
3035	1089 9416 07	• 1	Contact block		3105	1623 7142 00	1	Plate	
3040	1088 0037 30	• 2	Connector		3120	1623 4623 00	1	Plate	
3045	1089 0506 52	• 1	Terminal		3135	1089 9338 98	1	Contactora	
3055	1089 9416 75	• 1	Connection block		3140	1089 0612 82	3	Fuse	
3060	1089 9339 68	• 1	Filter		3145	1089 0612 05	3	Fuse holder	
3065	1088 0037 32	• 1	Connector					<b>500V IEC</b>	
3075	1089 9415 15	• 1	Contactora					<b>525V IEC</b>	
3080	1089 9416 69	• 1	Circuit breaker					<b>550V IEC</b>	
3090	1089 9302 02	• 1	Coil			<b>1900 3182 07</b>	<b>1</b>	<b>Control panel</b>	
3095	1623 1594 00	• 1	Plate		3005	1089 9338 66	• 1	Converter	
3100	1623 1594 01	• 1	Plate		3020	1089 0691 01	• 1	Connector	
3110	1623 4621 00	• 1	Plate		3025	1089 0506 32	• 1	Terminal	
3115	1623 4622 00	• 1	Plate		3030	1088 0031 62	• 3	Connector	
			<b>GA 132</b>		3035	1089 9416 07	• 1	Contact block	
			<b>GA 132+</b>		3040	1088 0037 30	• 2	Connector	
			<b>Pack - TT or TN network</b>		3045	1089 0506 52	• 1	Terminal	
			<b>380V IEC</b>		3055	1089 9416 75	• 1	Connection block	
			<b>400V IEC</b>		3060	1089 9339 68	• 1	Filter	
			<b>440V IEC</b>		3065	1088 0037 32	• 1	Connector	
	<b>1900 3182 63</b>	<b>1</b>	<b>Control panel</b>		3075	1089 9415 15	• 1	Contactora	
3005	1089 9338 63	1	Converter		3080	1089 9416 69	• 1	Circuit breaker	
3020	1089 0691 01	1	Connector		3090	1089 9302 02	• 1	Coil	

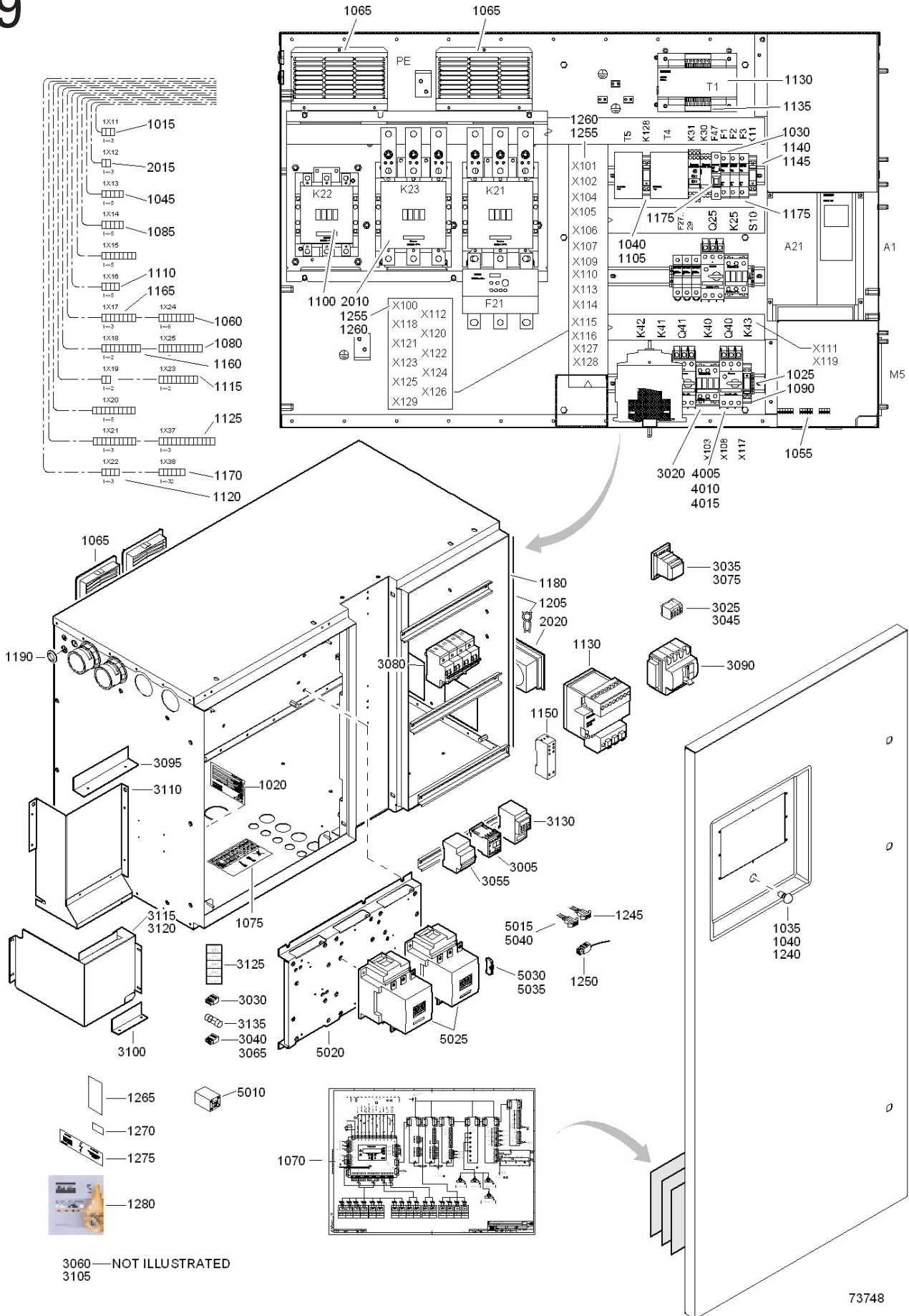
49



## Cubicle converter

Ref.	Partnumber	Qty	Name	Remarks	Ref.	Partnumber	Qty	Name	Remarks
3095	1623 1594 00	• 1	Plate		3090	1089 9302 02	• 1	Coil	
3100	1623 1594 01	• 1	Plate		3095	1623 1594 00	• 1	Plate	
3110	1623 4621 00	• 1	Plate		3100	1623 1594 01	• 1	Plate	
3115	1623 4622 00	• 1	Plate		3110	1623 4621 00	• 1	Plate	
			<b>460V CSA-UL</b>		3115	1623 4622 00	• 1	Plate	
	<b>1900 3182 73</b>	<b>1</b>	<b>Control panel</b>					<b>GA 132</b>	
3005	1089 9338 63	1	Converter					<b>GA 132+</b>	
3020	1089 0691 01	1	Connector					<b>GA 160</b>	
3025	1089 0506 32	1	Terminal					<b>GA 160+</b>	
3030	1088 0031 62	2	Connector					<b>Pack - TT or TN network</b>	
3040	1088 0037 30	2	Connector					<b>380V IEC</b>	
3045	1089 0506 52	1	Terminal					<b>400V IEC</b>	
3065	1088 0037 32	1	Connector					<b>440V IEC</b>	
3075	1089 9415 26	1	Contacto			<b>1900 3182 04</b>	<b>1</b>	<b>Control panel</b>	
3095	1623 7139 00	1	Plate		3005	1089 9338 66	• 1	Converter	
3100	1623 7140 00	1	Plate		3020	1089 0691 01	• 1	Connector	
3105	1623 7142 00	1	Plate		3025	1089 0506 32	• 1	Terminal	
3120	1623 4623 00	1	Plate		3030	1088 0031 62	• 3	Connector	
3135	1089 9338 98	1	Contacto		3035	1089 9416 07	• 1	Contact block	
3140	1089 9168 57	3	Fuse		3040	1088 0037 30	• 2	Connector	
3145	1089 0612 02	3	Fuse holder		3045	1089 0506 52	• 1	Terminal	
			<b>460V CSA-UL</b>		3055	1089 9416 75	• 1	Connection block	
	<b>1900 3182 93</b>	<b>1</b>	<b>Control panel</b>		3060	1089 9339 68	• 1	Filter	
3005	1089 9338 64	1	Converter		3065	1088 0037 32	• 1	Connector	
3020	1089 0691 01	1	Connector		3075	1089 9415 15	• 1	Contacto	
3025	1089 0506 32	1	Terminal		3080	1089 9416 69	• 1	Circuit breaker	
3030	1088 0031 62	2	Connector		3090	1089 9302 02	• 1	Coil	
3040	1088 0037 30	2	Connector		3095	1623 1594 00	• 1	Plate	
3045	1089 0506 52	1	Terminal		3100	1623 1594 01	• 1	Plate	
3060	1089 9339 68	1	Filter		3110	1623 4621 00	• 1	Plate	
3065	1088 0037 32	1	Connector		3115	1623 4622 00	• 1	Plate	
3075	1089 9415 26	1	Contacto					<b>460V CSA-UL</b>	
3095	1623 7139 00	1	Plate			<b>1900 3182 74</b>	<b>1</b>	<b>Control panel</b>	
3100	1623 7140 00	1	Plate		3005	1089 9338 47	1	Freq. converter	
3105	1623 7142 00	1	Plate		3020	1089 0691 01	1	Connector	
3120	1623 4623 00	1	Plate		3025	1089 0506 32	1	Terminal	
3125	1079 9927 65	1	Decal		3030	1088 0031 62	2	Connector	
3135	1089 9338 98	1	Contacto		3040	1088 0037 30	2	Connector	
3140	1089 9168 57	3	Fuse		3045	1089 0506 52	1	Terminal	
3145	1089 0612 02	3	Fuse holder		3065	1088 0037 32	1	Connector	
			<b>575V CSA-UL</b>		3075	1089 9415 26	1	Contacto	
	<b>1900 3182 17</b>	<b>1</b>	<b>Control panel</b>		3095	1623 7139 00	1	Plate	
3005	1089 9338 66	• 1	Converter		3100	1623 7140 00	1	Plate	
3020	1089 0691 01	• 1	Connector		3105	1623 7142 00	1	Plate	
3025	1089 0506 32	• 1	Terminal		3120	1623 4623 00	1	Plate	
3030	1088 0031 62	• 3	Connector		3140	1089 9168 57	3	Fuse	
3035	1089 9416 07	• 1	Contact block		3145	1089 0612 02	3	Fuse holder	
3040	1088 0037 30	• 2	Connector		3150	1089 9338 82	1	Freq converter	
3045	1089 0506 52	• 1	Terminal					<b>GA 132</b>	
3055	1089 9416 75	• 1	Connection block					<b>GA 132+</b>	
3060	1089 9339 68	• 1	Filter					<b>GA 160</b>	
3065	1088 0037 32	• 1	Connector					<b>GA 160+</b>	
3075	1089 9415 15	• 1	Contacto					<b>Pack - TT or TN network</b>	
3080	1089 9416 69	• 1	Circuit breaker					<b>575V CSA-UL</b>	

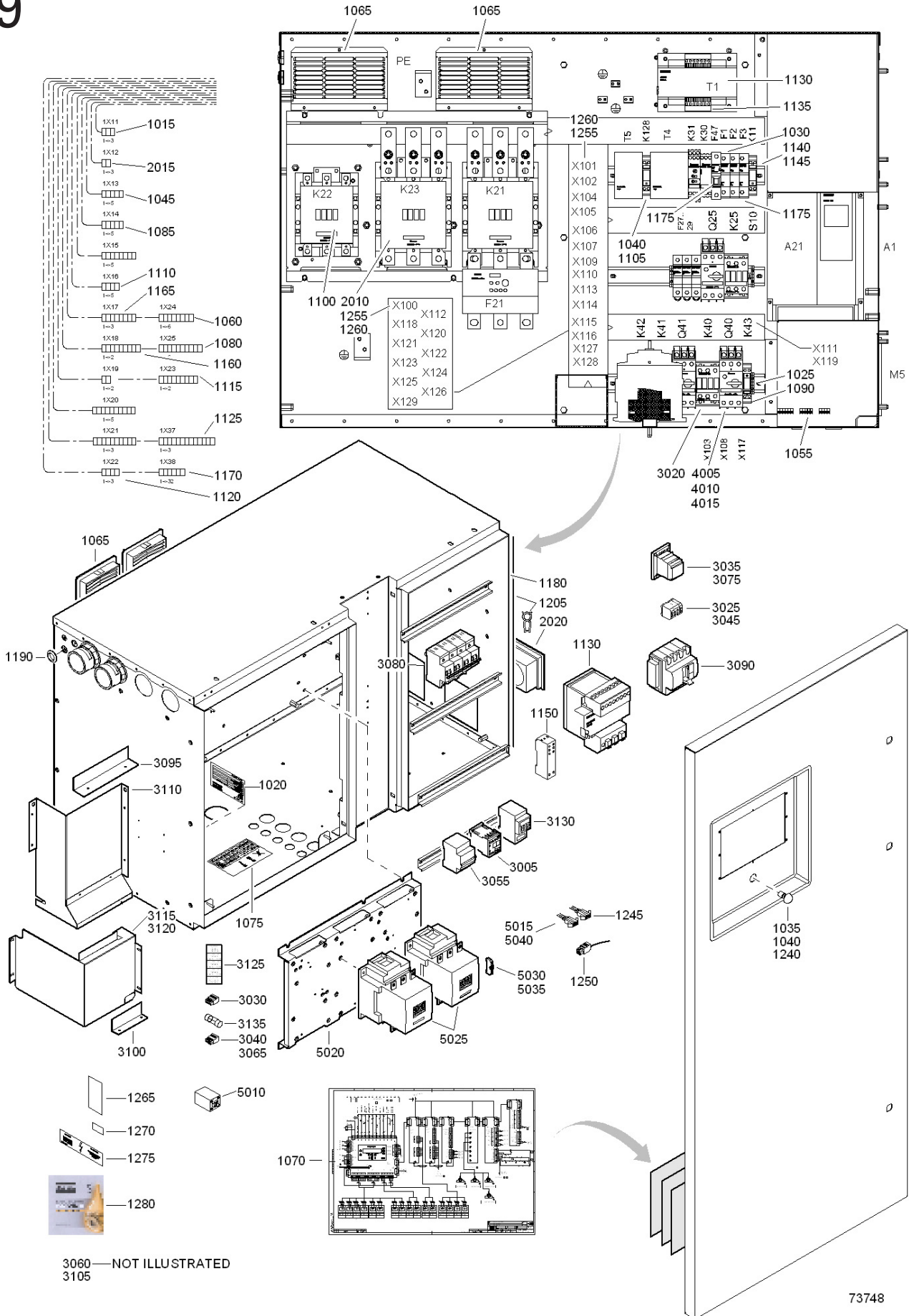
49



**Cubicle converter**

Ref.	Partnumber	Qty	Name	Remarks	Ref.	Partnumber	Qty	Name	Remarks
	<b>1900 3182 58</b>	<b>1</b>	<b>Control panel</b>		3060	1089 9339 68	• 1	Filter	
3005	1089 9338 67	• 1	Converter		3065	1088 0037 32	• 1	Connector	
3020	1089 0691 01	• 1	Connector		3075	1089 9415 12	• 1	Contacto	
3025	1089 0506 32	• 1	Terminal		3080	1089 9416 69	• 1	Circuit breaker	
3030	1088 0031 62	• 3	Connector		3090	1089 9302 01	• 1	Coil	
3035	1089 9416 07	• 1	Contact block		3095	1623 1594 00	• 1	Plate	
3040	1088 0037 30	• 2	Connector		3100	1623 1594 01	• 1	Plate	
3045	1089 0506 52	• 1	Terminal		3110	1623 4621 00	• 1	Plate	
3055	1089 9416 75	• 1	Connection		3115	1623 4622 00	• 1	Plate	
3065	1088 0037 32	• 1	Connector			<b>1900 3182 72</b>	<b>1</b>	<b>Control panel</b>	
3075	1089 9415 13	• 1	Contacto		3005	1089 9338 07	1	Converter	
3080	1089 9416 70	• 1	Circuit breaker		3020	1089 0691 01	1	Connector	
3090	1089 9302 01	• 1	Coil		3025	1089 0506 32	1	Terminal	
3095	1623 1594 00	• 1	Plate		3030	1088 0031 62	3	Connector	
3100	1623 1594 01	• 1	Plate		3040	1088 0037 30	2	Connector	
3105	1623 4620 00	• 1	Plate		3045	1089 0506 52	1	Terminal	
3120	1623 4623 00	• 1	Plate		3065	1088 0037 32	1	Connector	
			<b>GA 90+</b>		3075	1089 9415 24	1	Contacto	
			<b>GA 110</b>		3095	1623 7139 00	1	Plate	
			<b>GA 110+</b>		3100	1623 7140 00	1	Plate	
			<b>Full feature - TT or</b>		3105	1623 7142 00	1	Plate	
			<b>TN network</b>		3120	1623 4623 00	1	Plate	
			<b>380 V IEC</b>		3135	1089 9338 98	1	Contacto	
			<b>400 V IEC</b>		3140	1089 9168 61	3	Fuse link	
			<b>440 V IEC</b>		3145	1089 0612 02	3	Fuse holder	
	<b>1900 3182 62</b>	<b>1</b>	<b>Control panel</b>			<b>1900 3182 16</b>	<b>1</b>	<b>Control panel</b>	
3005	1089 9338 07	1	Converter		3005	1089 9338 66	• 1	Converter	
3020	1089 0691 01	1	Connector		3020	1089 0691 01	• 1	Connector	
3025	1089 0506 32	1	Terminal		3025	1089 0506 32	• 1	Terminal	
3030	1088 0031 62	3	Connector		3030	1088 0031 62	• 3	Connector	
3035	1089 9416 07	1	Contact block		3035	1089 9416 07	• 1	Contact block	
3040	1088 0037 30	2	Connector		3040	1088 0037 30	• 2	Connector	
3045	1089 0506 52	1	Terminal		3045	1089 0506 52	• 1	Terminal	
3055	1089 9416 75	1	Connection block		3055	1089 9416 75	• 1	Connection block	
3065	1088 0037 32	1	Connector		3060	1089 9339 68	• 1	Filter	
3075	1089 9415 21	1	Contacto		3065	1088 0037 32	• 1	Connector	
3080	1089 9416 71	1	Circuit breaker		3075	1089 9415 15	• 1	Contacto	
3095	1623 7139 00	1	Plate		3080	1089 9416 69	• 1	Circuit breaker	
3100	1623 7140 00	1	Plate		3090	1089 9302 02	• 1	Coil	
3105	1623 7142 00	1	Plate		3095	1623 1594 00	• 1	Plate	
3120	1623 4623 00	1	Plate		3100	1623 1594 01	• 1	Plate	
3135	1089 9338 98	1	Contacto		3110	1623 4621 00	• 1	Plate	
			<b>500 V IEC</b>		3115	1623 4622 00	• 1	Plate	
			<b>525 V IEC</b>			<b>GA 132</b>			
			<b>550 V IEC</b>			<b>GA 132+</b>			
	<b>1900 3182 06</b>	<b>1</b>	<b>Control panel</b>			<b>Full feature - TT or</b>			
3005	1089 9338 66	• 1	Converter			<b>TN network</b>			
3020	1089 0691 01	• 1	Connector			<b>380V IEC</b>			
3025	1089 0506 32	• 1	Terminal			<b>400V IEC</b>			
3030	1088 0031 62	• 3	Connector			<b>440V IEC</b>			
3035	1089 9416 07	• 1	Contact block			<b>1900 3182 63</b>	<b>1</b>	<b>Control panel</b>	
3040	1088 0037 30	• 2	Connector		3005	1089 9338 63	1	Converter	
3045	1089 0506 52	• 1	Terminal						
3055	1089 9416 75	• 1	Connection block						

49



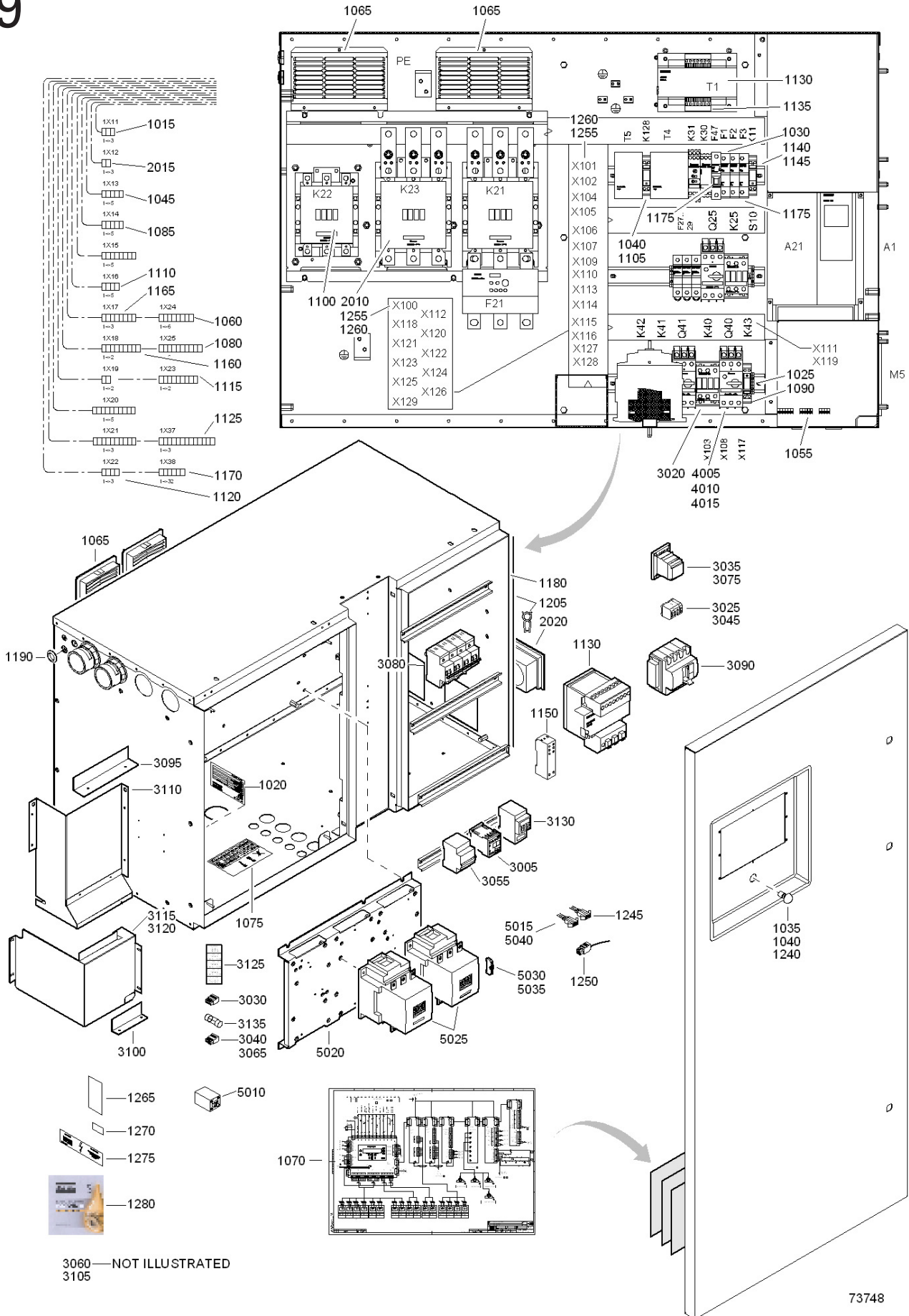
73748



## Cubicle converter

Ref.	Partnumber	Qty	Name	Remarks	Ref.	Partnumber	Qty	Name	Remarks
3020	1089 0691 01	1	Connector			<b>1900 3182 17</b>	<b>1</b>	<b>Control panel</b>	
3025	1089 0506 32	1	Terminal		3005	1089 9338 66	• 1	Converter	
3030	1088 0031 62	2	Connector		3020	1089 0691 01	• 1	Connector	
3035	1089 9416 07	1	Contact block		3025	1089 0506 32	• 1	Terminal	
3040	1088 0037 30	2	Connector		3030	1088 0031 62	• 3	Connector	
3045	1089 0506 52	1	Terminal		3035	1089 9416 07	• 1	Contact block	
3055	1089 9416 75	1	Connection block		3040	1088 0037 30	• 2	Connector	
3065	1088 0037 32	1	Connector		3045	1089 0506 52	• 1	Terminal	
3075	1089 9415 23	1	Contactactor		3055	1089 9416 75	• 1	Connection block	
3080	1089 9416 72	1	Circuit breaker		3060	1089 9339 68	• 1	Filter	
3095	1623 7139 00	1	Plate		3065	1088 0037 32	• 1	Connector	
3100	1623 7140 00	1	Plate		3075	1089 9415 15	• 1	Contactactor	
3105	1623 7142 00	1	Plate		3080	1089 9416 69	• 1	Circuit breaker	
3120	1623 4623 00	1	Plate		3090	1089 9302 02	• 1	Coil	
3135	1089 9338 98	1	Contactactor		3095	1623 1594 00	• 1	Plate	
			<b>500V IEC</b>		3100	1623 1594 01	• 1	Plate	
			<b>525V IEC</b>		3110	1623 4621 00	• 1	Plate	
			<b>550V IEC</b>		3115	1623 4622 00	• 1	Plate	
	<b>1900 3182 07</b>	<b>1</b>	<b>Control panel</b>					<b>GA 132</b>	
3005	1089 9338 66	• 1	Converter					<b>GA 132+</b>	
3020	1089 0691 01	• 1	Connector					<b>GA 160</b>	
3025	1089 0506 32	• 1	Terminal					<b>GA 160+</b>	
3030	1088 0031 62	• 3	Connector					<b>Pack and Full Feature-</b>	
3035	1089 9416 07	• 1	Contact block					<b>TT or TN network</b>	
3040	1088 0037 30	• 2	Connector					<b>400 V (3 ph) IEC</b>	
3045	1089 0506 52	• 1	Terminal					<b>440 V (3 ph) IEC</b>	
3055	1089 9416 75	• 1	Connection block			<b>1900 3189 64</b>	<b>1</b>	<b>Control panel</b>	
3060	1089 9339 68	• 1	Filter		3005	1089 9338 47	1	Freq. converter	
3065	1088 0037 32	• 1	Connector		3020	1089 0691 01	1	Connector	
3075	1089 9415 15	• 1	Contactactor		3025	1089 0506 32	1	Terminal	
3080	1089 9416 69	• 1	Circuit breaker		3030	1088 0031 62	2	Connector	
3090	1089 9302 02	• 1	Coil		3035	1089 9416 07	1	Contact block	
3095	1623 1594 00	• 1	Plate		3040	1088 0037 30	2	Connector	
3100	1623 1594 01	• 1	Plate		3045	1089 0506 52	1	Terminal	
3110	1623 4621 00	• 1	Plate		3055	1089 9416 75	1	Connection block	
3115	1623 4622 00	• 1	Plate		3065	1088 0037 32	1	Connector	
			<b>460V CSA-UL</b>		3075	1089 9415 23	1	Contactactor	
	<b>1900 3182 73</b>	<b>1</b>	<b>Control panel</b>		3080	1089 9416 74	1	Circuit breaker	
3005	1089 9338 63	1	Converter		3095	1623 7139 00	1	Plate	
3020	1089 0691 01	1	Connector		3100	1623 7140 00	1	Plate	
3025	1089 0506 32	1	Terminal		3105	1623 7142 00	1	Plate	
3030	1088 0031 62	2	Connector		3120	1623 4625 00	1	Plate	
3040	1088 0037 30	2	Connector		3150	1089 9338 82	1	Frequency converter	
3045	1089 0506 52	1	Terminal		3170	1623 1594 11	3	Plate	
3065	1088 0037 32	1	Connector					<b>GA 132</b>	
3075	1089 9415 26	1	Contactactor					<b>GA 132+</b>	
3095	1623 7139 00	1	Plate					<b>GA 160</b>	
3100	1623 7140 00	1	Plate					<b>GA 160+</b>	
3105	1623 7142 00	1	Plate					<b>Pack and Full Feature-</b>	
3120	1623 4623 00	1	Plate					<b>TT or TN network</b>	
3135	1089 9338 98	1	Contactactor					<b>500 V (3 ph) IEC</b>	
3140	1089 9168 57	3	Fuse					<b>525 V (3 ph) IEC</b>	
3145	1089 0612 02	3	Fuse holder					<b>550V IEC</b>	
			<b>575V CSA-UL</b>			<b>1900 3189 08</b>	<b>1</b>	<b>Control panel</b>	

49

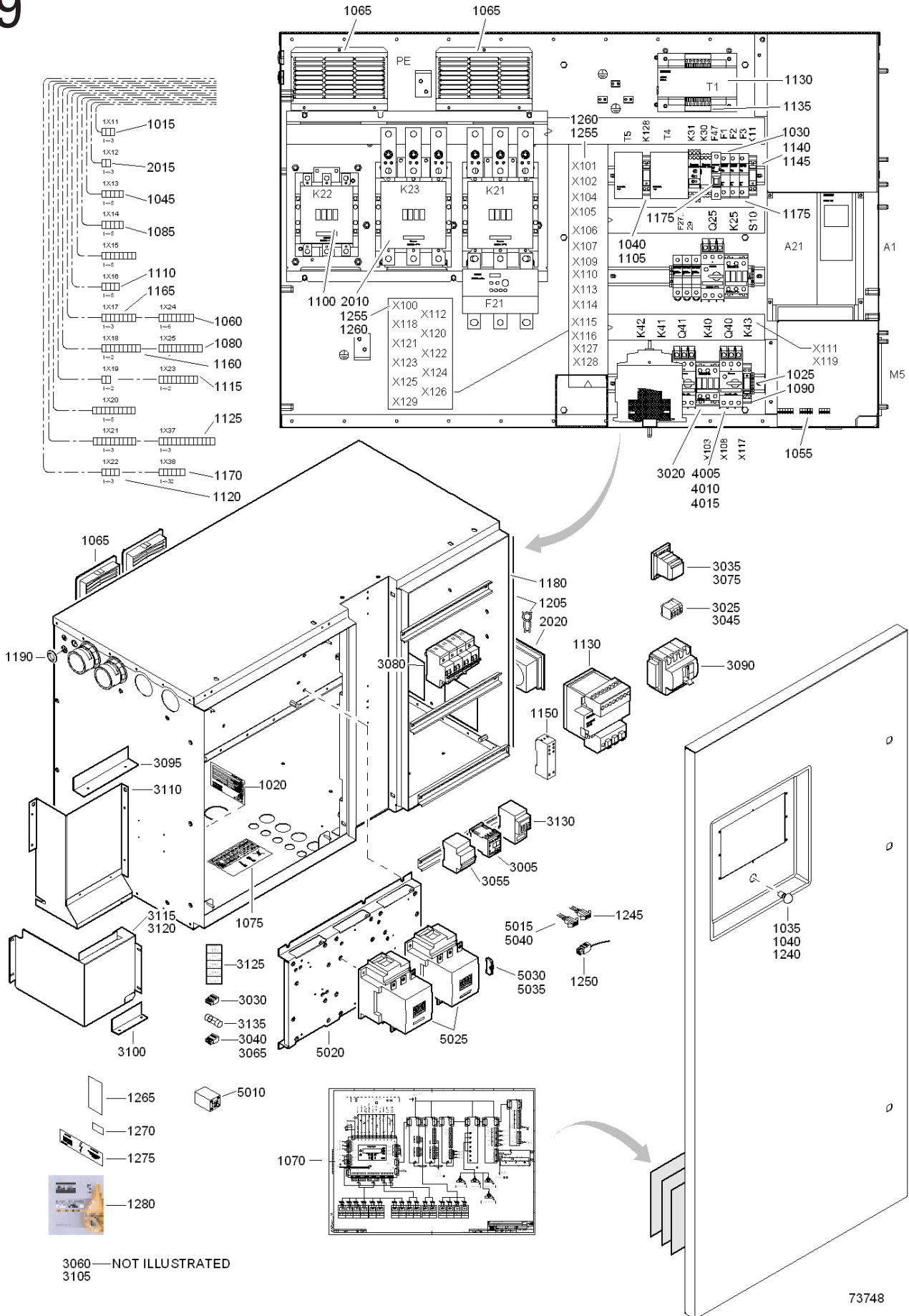


73748

## Cubicle converter

Ref.	Partnumber	Qty	Name	Remarks	Ref.	Partnumber	Qty	Name	Remarks
3005	1089 9338 66	• 1	Converter		3030	1088 0031 62	• 3	Connector	
3020	1089 0691 01	• 1	Connector		3035	1089 9416 07	• 1	Contact block	
3025	1089 0506 32	• 1	Terminal		3040	1088 0037 30	• 2	Connector	
3030	1088 0031 62	• 3	Connector		3045	1089 0506 52	• 1	Terminal	
3035	1089 9416 07	• 1	Contact block		3055	1089 9416 75	• 1	Connection block	
3040	1088 0037 30	• 2	Connector		3060	1089 9339 68	• 1	Filter	
3045	1089 0506 52	• 1	Terminal		3065	1088 0037 32	• 1	Connector	
3055	1089 9416 75	• 1	Connection block		3075	1089 9415 15	• 1	Contacto	
3060	1089 9339 68	• 1	Filter		3080	1089 9416 69	• 1	Circuit breaker	
3065	1088 0037 32	• 1	Connector		3090	1089 9302 02	• 1	Coil	
3075	1089 9415 15	• 1	Contacto		3095	1623 1594 00	• 1	Plate	
3080	1089 9416 69	• 1	Circuit breaker		3100	1623 1594 01	• 1	Plate	
3090	1089 9302 02	• 1	Coil		3110	1623 4621 00	• 1	Plate	
3095	1623 1594 00	• 1	Plate		3115	1623 4622 00	• 1	Plate	
3100	1623 1594 01	• 1	Plate					<b>GA 90+</b>	
3110	1623 4621 00	• 1	Plate					<b>GA 110</b>	
3115	1623 4622 00	• 1	Plate					<b>GA 110+</b>	
			<b>GA 132</b>					<b>High ambient condition -</b>	
			<b>GA 132+</b>					<b>TT or TN network</b>	
			<b>GA 160</b>					<b>Pack 380 V IEC</b>	
			<b>GA 160+</b>					<b>Full feature 380 V IEC</b>	
			<b>Pack and Full Feature-</b>					<b>Pack 400 V IEC</b>	
			<b>TT or TN network</b>					<b>Full feature 400 V IEC</b>	
			<b>460 V (3 ph) CSA-UL</b>					<b>Pack 440 V IEC</b>	
	<b>1900 3189 74</b>	<b>1</b>	<b>Control panel</b>					<b>Pack 525 V IEC</b>	
3005	1089 9338 47	1	Freq. converter					<b>Full feature 440 V IEC</b>	
3020	1089 0691 01	1	Connector			<b>1900 3189 62</b>	<b>1</b>	<b>Control panel</b>	
3025	1089 0506 32	1	Terminal		3005	1089 9338 07	1	Converter	
3030	1088 0031 62	2	Connector		3020	1089 0691 01	1	Connector	
3040	1088 0037 30	2	Connector		3025	1089 0506 32	1	Terminal	
3045	1089 0506 52	1	Terminal		3030	1088 0031 62	3	Connector	
3065	1088 0037 32	1	Connector		3035	1089 9416 07	1	Contact block	
3075	1089 9415 26	1	Contacto		3040	1088 0037 30	2	Connector	
3095	1623 7139 00	1	Plate		3045	1089 0506 52	1	Terminal	
3100	1623 7140 00	1	Plate		3055	1089 9416 75	1	Connection block	
3105	1623 7142 00	1	Plate		3065	1088 0037 32	1	Connector	
3120	1623 4625 00	1	Plate		3075	1089 9415 21	1	Contacto	
3140	1089 9168 57	3	Fuse		3080	1089 9416 71	1	Circuit breaker	
3145	1089 0612 02	3	Fuse holder		3095	1623 7139 00	1	Plate	
3150	1089 9338 82	1	Freq converter		3100	1623 7140 00	1	Plate	
3170	1623 1594 11	3	Plate		3105	1623 7142 00	1	Plate	
			<b>GA 132</b>		3120	1623 4625 00	1	Plate	
			<b>GA 132+</b>		3135	1089 9338 98	1	Contacto	
			<b>GA 160</b>		3170	1623 1594 11	3	Plate	
			<b>GA 160+</b>					<b>Pack 500 V IEC</b>	
			<b>Pack and Full Feature-</b>					<b>Full feature 500 V IEC</b>	
			<b>TT or TN network</b>					<b>Pack 550 V IEC</b>	
			<b>575 V (3 ph) CSA-UL</b>					<b>Full feature 525 V IEC</b>	
	<b>1900 3182 18</b>	<b>1</b>	<b>Control panel</b>					<b>Full feature 550 V IEC</b>	
3005	1089 9338 66	• 1	Converter			<b>1900 3189 06</b>	<b>1</b>	<b>Control panel</b>	
3020	1089 0691 01	• 1	Connector		3005	1089 9338 66	• 1	Converter	
3025	1089 0506 32	• 1	Terminal		3020	1089 0691 01	• 1	Connector	
					3025	1089 0506 32	• 1	Terminal	

49

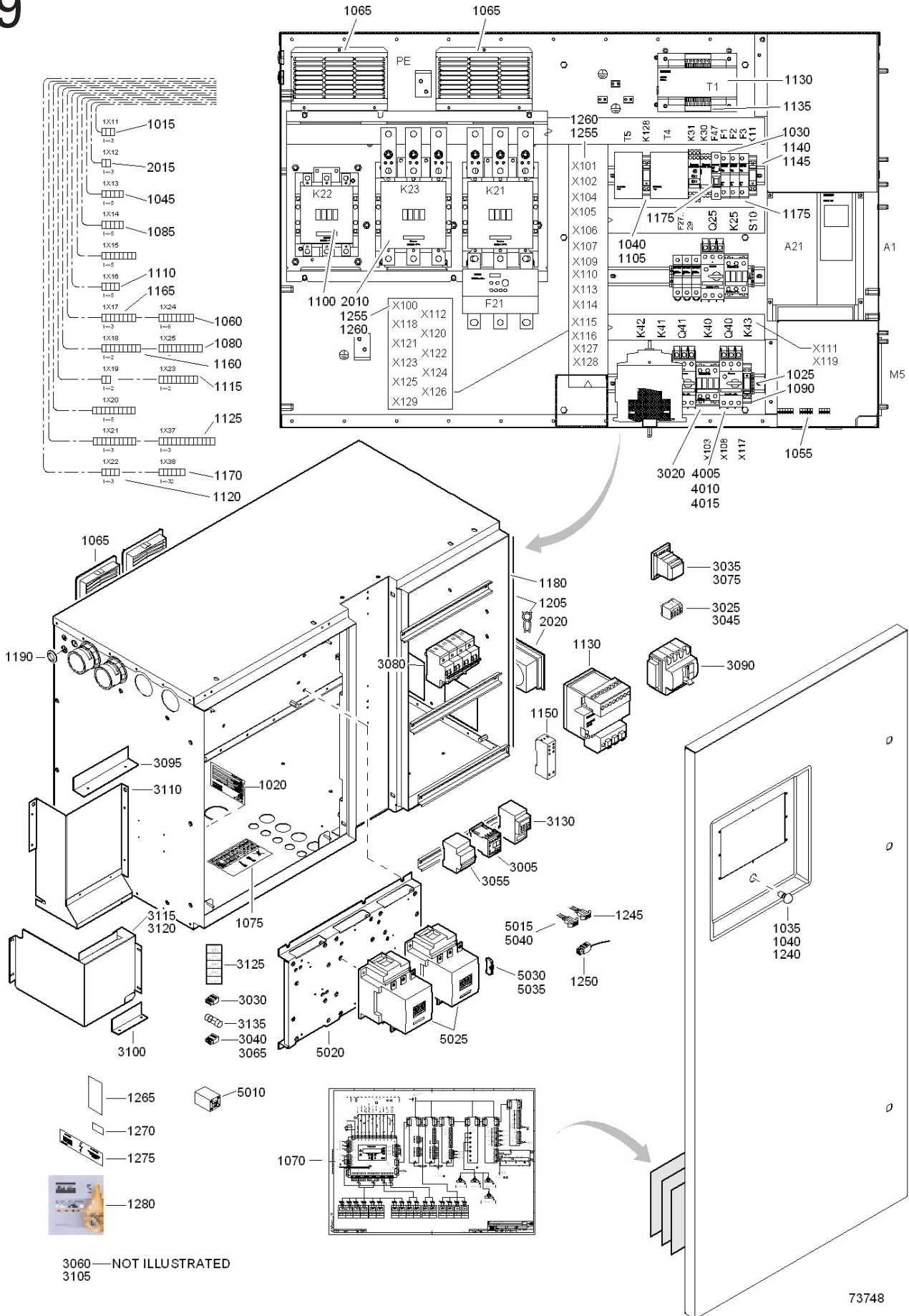


73748

## Cubicle converter

Ref.	Partnumber	Qty	Name	Remarks	Ref.	Partnumber	Qty	Name	Remarks
3030	1088 0031 62	• 3	Connector					<b>GA 132</b>	
3035	1089 9416 07	• 1	Contact block					<b>GA 132+</b>	
3040	1088 0037 30	• 2	Connector					<b>GA 160</b>	
3045	1089 0506 52	• 1	Terminal					<b>GA 160+</b>	
3055	1089 9416 75	• 1	Connection block					<b>High ambient condition -</b>	
3060	1089 9339 68	• 1	Filter					<b>TT or TN network</b>	
3065	1088 0037 32	• 1	Connector					<b>Pack 380V IEC</b>	
3075	1089 9415 15	• 1	Contact					<b>Full Feature 380V IEC</b>	
3080	1089 9416 69	• 1	Circuit breaker					<b>Control panel</b>	
3090	1089 9302 02	• 1	Coil		1900 3189 64	1			
3095	1623 1594 00	• 1	Plate		3005	1089 9338 47	1	Freq. converter	
3100	1623 1594 01	• 1	Plate		3020	1089 0691 01	1	Connector	
3110	1623 4621 00	• 1	Plate		3025	1089 0506 32	1	Terminal	
3115	1623 4622 00	• 1	Plate		3030	1088 0031 62	2	Connector	
					3035	1089 9416 07	1	Contact block	
					3040	1088 0037 30	2	Connector	
					3045	1089 0506 52	1	Terminal	
					3055	1089 9416 75	1	Connection block	
					3065	1088 0037 32	1	Connector	
					3075	1089 9415 23	1	Contact	
					3080	1089 9416 74	1	Circuit breaker	
					3095	1623 7139 00	1	Plate	
					3100	1623 7140 00	1	Plate	
					3105	1623 7142 00	1	Plate	
					3120	1623 4625 00	1	Plate	
					3150	1089 9338 82	1	Freq;converter	
					3170	1623 1594 11	3	Plate	
								<b>GA 90+</b>	
								<b>Pack - IT network</b>	
								<b>380 V IEC</b>	
								<b>400 V IEC</b>	
								<b>440 V IEC</b>	
								<b>Control panel</b>	
					1900 3182 81	1			
					3020	1089 0691 01	1	Connector	
					3025	1089 0506 32	1	Terminal	
					3030	1088 0031 62	3	Connector	
					3035	1089 9416 07	1	Contact block	
					3040	1088 0037 30	2	Connector	
					3045	1089 0506 52	1	Terminal	
					3055	1089 9416 75	1	Connection block	
					3060	1089 9339 68	1	Filter	
					3065	1088 0037 32	1	Connector	
					3075	1089 9415 21	1	Contact	
					3080	1089 9416 70	1	Circuit breaker	
					3090	1089 9302 01	1	Coil	
					3095	1623 7139 00	1	Plate	
					3100	1623 7140 00	1	Plate	
					3105	1623 7141 00	1	Plate	
					3120	1623 4622 00	1	Plate	
					3130	1089 0506 27	1	Terminal	
					3140	1089 0612 82	3	Fuse	
					3145	1089 0612 05	3	Fuse holder	
					3155	1089 9302 04	1	Converter	
								<b>500 V IEC</b>	

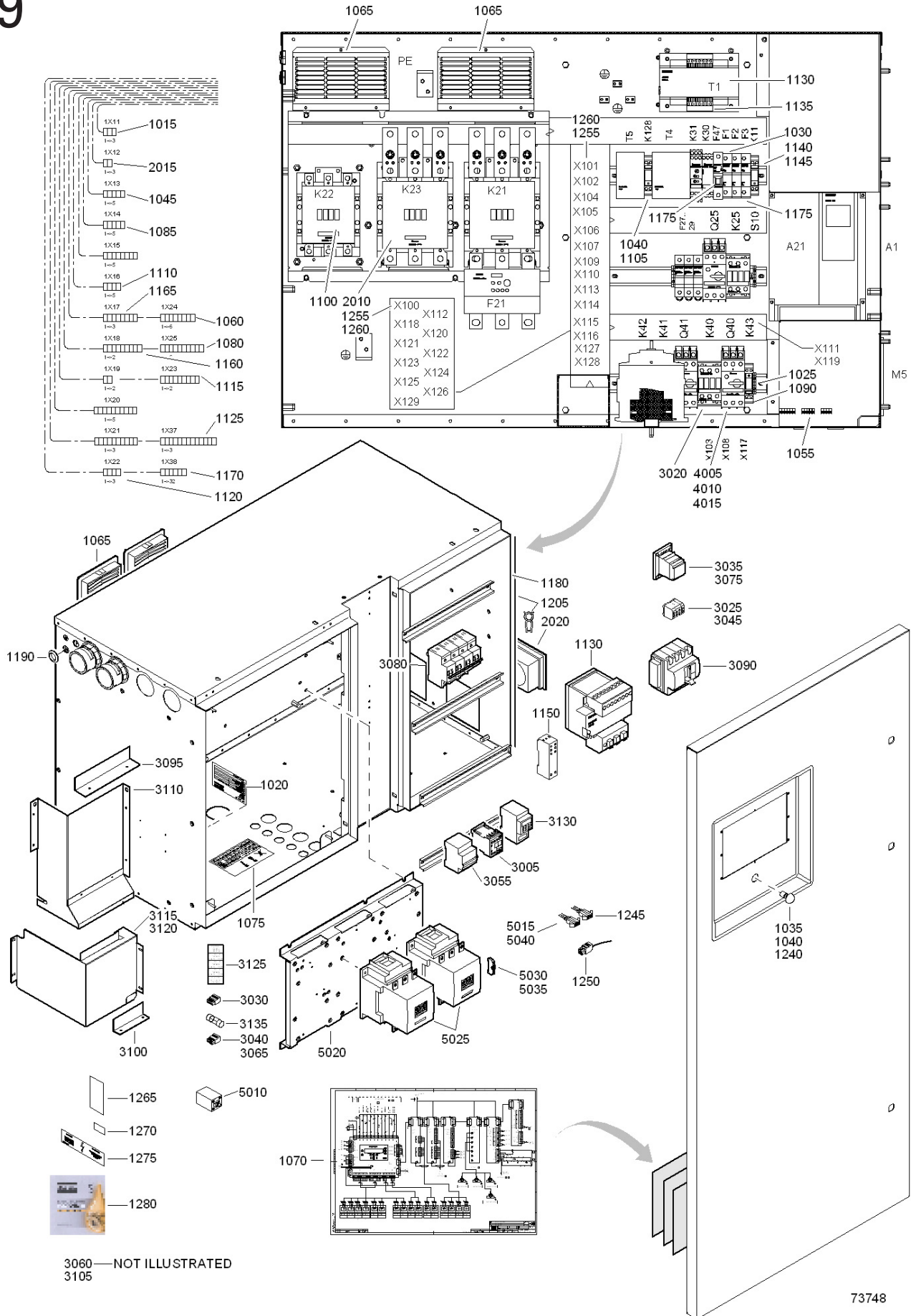
49



73748



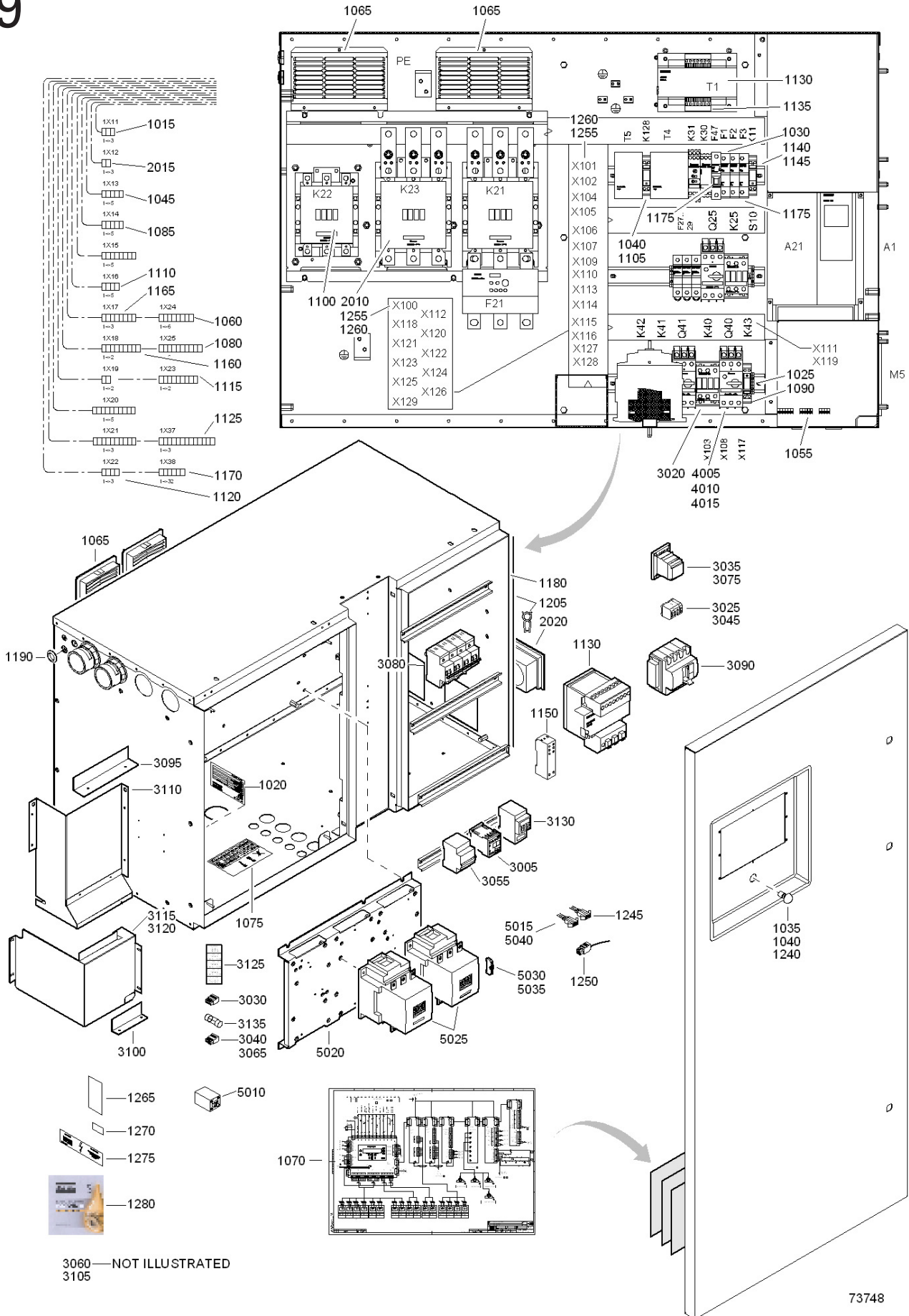
49







49



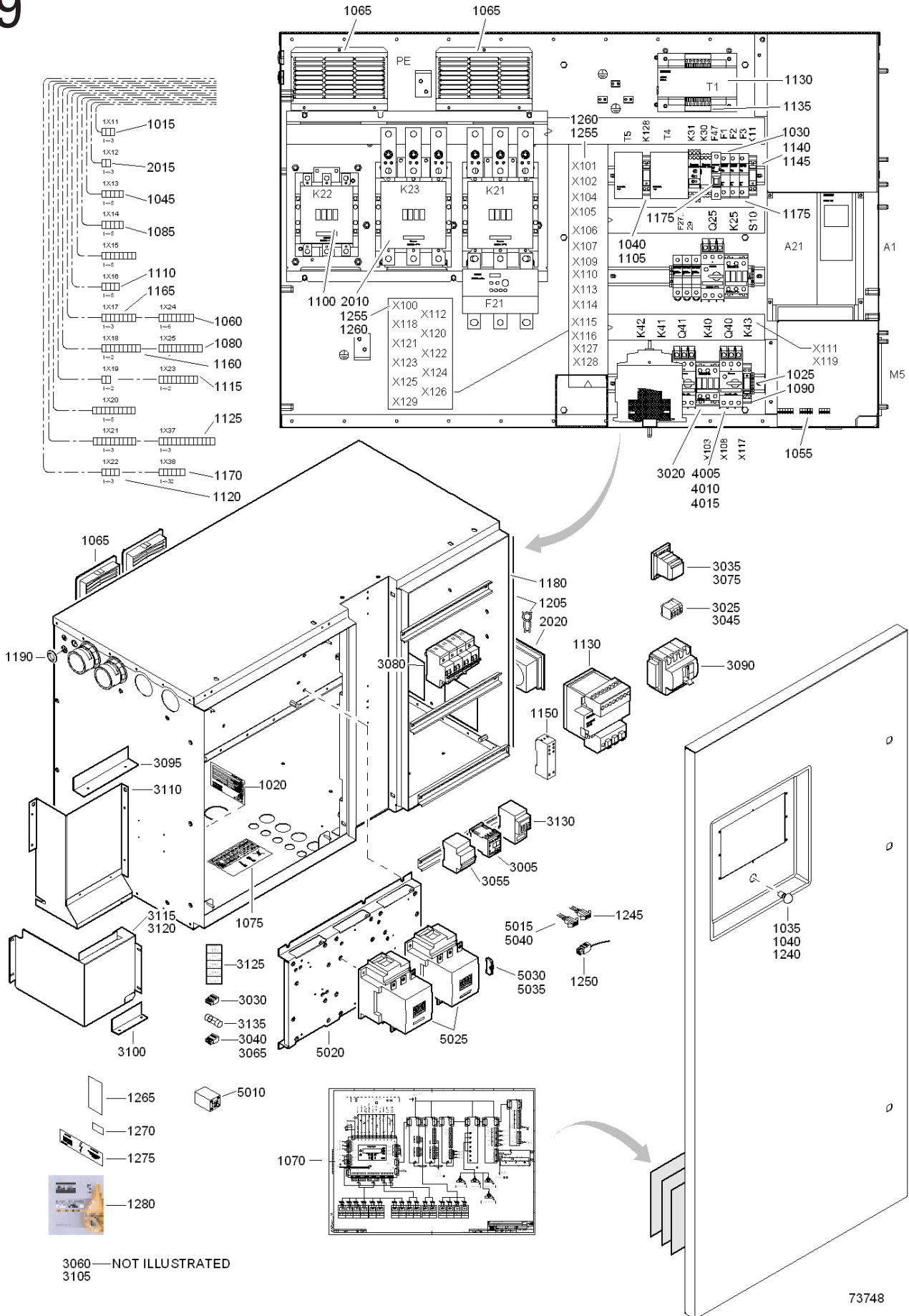
73748

## Cubicle converter

49

Ref.	Partnumber	Qty	Name	Remarks	Ref.	Partnumber	Qty	Name	Remarks
3035	1089 9416 07	• 1	Contact block		3040	1088 0037 30	2	Connector	
3040	1088 0037 30	• 2	Connector		3045	1089 0506 52	1	Terminal	
3045	1089 0506 52	• 1	Terminal		3055	1089 9416 75	1	Connection block	
3055	1089 9416 75	• 1	Connection block		3060	1089 9339 68	1	Filter	
3060	1089 9339 68	• 1	Filter		3065	1088 0037 32	1	Connector	
3065	1088 0037 32	• 1	Connector		3075	1089 9415 23	1	Contacto	
3075	1089 9415 15	• 1	Contacto		3080	1089 9416 74	1	Circuit breaker	
3080	1089 9416 69	• 1	Circuit breaker		3095	1623 7139 00	1	Plate	
3090	1089 9302 02	• 1	Coil		3100	1623 7140 00	1	Plate	
3095	1623 1594 00	• 1	Plate		3105	1623 7142 00	1	Plate	
3100	1623 1594 01	• 1	Plate		3120	1623 4625 00	1	Plate	
3110	1623 4621 00	• 1	Plate		3140	1089 0612 82	3	Fuse	
3115	1623 4622 00	• 1	Plate		3145	1089 0612 05	3	Fuse holder	
3125	1079 9927 65	• 1	Decal		3150	1089 9338 82	1	Freq. converter	
3130	1089 0612 02	• 3	Fuse holder		3170	1623 1594 11	3	Plate	
3135	1089 9168 57	• 3	Fuse					<b>GA 132</b>	
								<b>GA 132+</b>	
								<b>GA 160</b>	
								<b>GA 160+</b>	
								<b>Pack and Full Feature-</b>	
								<b>IT network</b>	
								<b>550V IEC</b>	
								<b>525V IEC</b>	
								<b>Control panel</b>	
	<b>1900 3182 58</b>	<b>1</b>	<b>Control panel</b>						
3005	1089 9338 66	• 1	Converter						
3020	1089 0691 01	• 1	Connector						
3025	1089 0506 32	• 1	Terminal						
3030	1088 0031 62	• 3	Connector						
3035	1089 9416 07	• 1	Contact block						
3040	1088 0037 30	• 2	Connector						
3045	1089 0506 52	• 1	Terminal						
3055	1089 9416 75	• 1	Connection block						
3060	1089 9339 68	• 1	Filter						
3065	1088 0037 32	• 1	Connector						
3075	1089 9415 15	• 1	Contacto						
3080	1089 9416 69	• 1	Circuit breaker						
3090	1089 9302 02	• 1	Coil						
3095	1623 1594 00	• 1	Plate						
3100	1623 1594 01	• 1	Plate						
3110	1623 4621 00	• 1	Plate						
3115	1623 4622 00	• 1	Plate						
3125	1079 9927 65	• 1	Decal						
3130	1089 0612 02	• 3	Fuse holder						
3135	1089 9168 57	• 3	Fuse						
								<b>GA 132</b>	
								<b>GA 132+</b>	
								<b>GA 160</b>	
								<b>GA 160+</b>	
								<b>Pack and Full Feature-</b>	
								<b>IT network</b>	
								<b>400V IEC</b>	
								<b>440V IEC</b>	
								<b>500V IEC</b>	
								<b>Control panel</b>	
	<b>1900 3189 84</b>	<b>1</b>	<b>Control panel</b>						
3005	1089 9338 86	1	Freq. converter						
3020	1089 0691 01	1	Connector						
3025	1089 0506 32	1	Terminal						
3030	1088 0031 62	2	Connector						
3035	1089 9416 07	1	Contact block						
								<b>Pack and Full Feature-</b>	
								<b>IT network</b>	
								<b>460V CSA-UL</b>	
								<b>Control panel</b>	
								<b>GA 132</b>	
								<b>GA 132+</b>	
								<b>GA 160</b>	
								<b>GA 160+</b>	
								<b>Pack and Full Feature-</b>	
								<b>IT network</b>	
								<b>400V IEC</b>	
								<b>440V IEC</b>	
								<b>500V IEC</b>	
								<b>Control panel</b>	
	<b>1900 3189 94</b>	<b>1</b>	<b>Control panel</b>						
3005	1089 9338 86	1	Freq. converter						

49

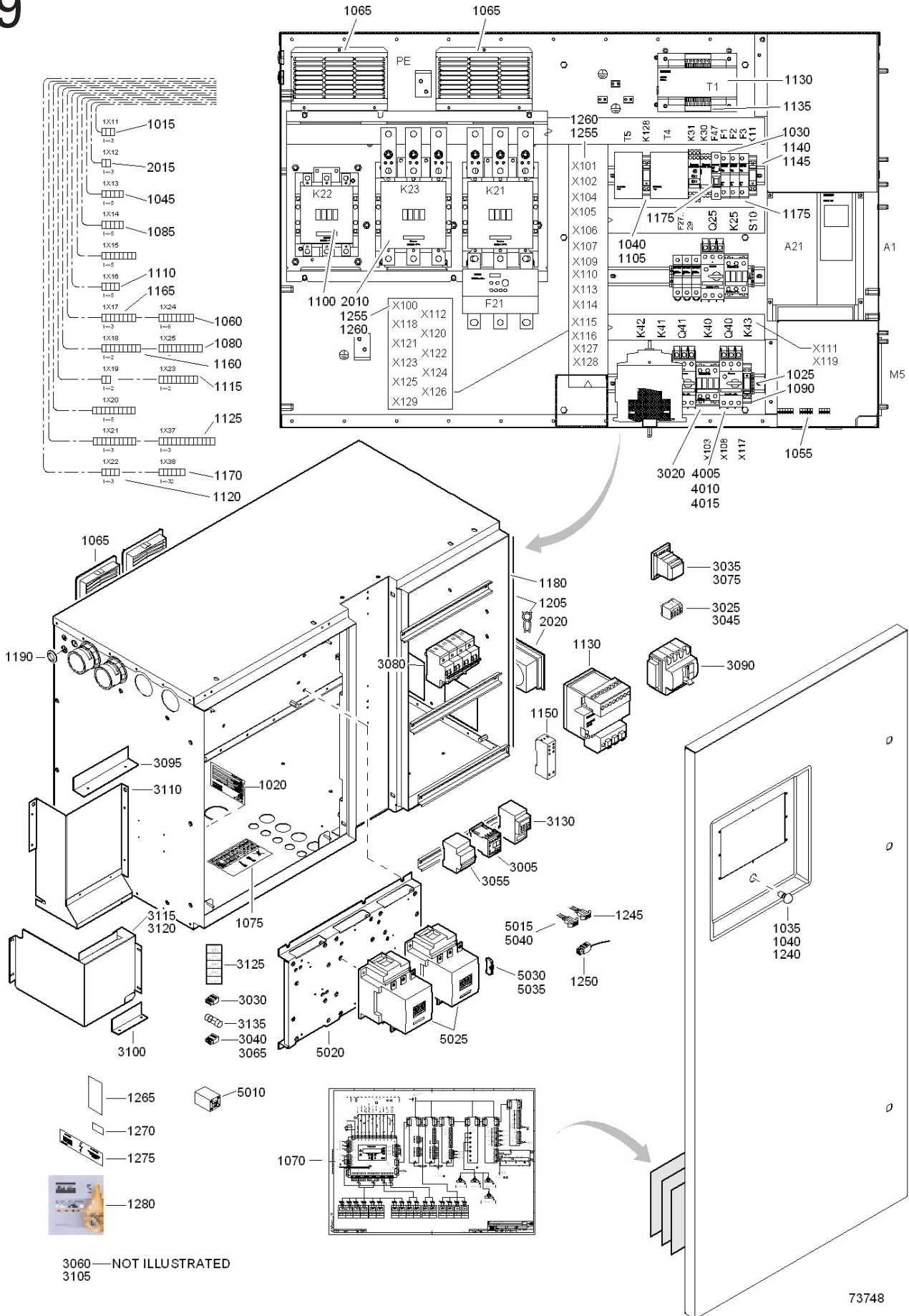


## Cubicle converter

49

Ref.	Partnumber	Qty	Name	Remarks	Ref.	Partnumber	Qty	Name	Remarks
3020	1089 0691 01	1	Connector						<b>Full feature 400 V IEC</b>
3025	1089 0506 32	1	Terminal						<b>Pack 440 V IEC</b>
3030	1088 0031 62	2	Connector						<b>Full feature 440 V IEC</b>
3040	1088 0037 30	2	Connector			<b>1900 3189 82</b>	<b>1</b>	<b>Control panel</b>	
3045	1089 0506 52	1	Terminal		3020	1089 0691 01	1	Connector	
3060	1089 9339 68	1	Filter		3025	1089 0506 32	1	Terminal	
3065	1088 0037 32	1	Connector		3030	1088 0031 62	3	Connector	
3075	1089 9415 26	1	Contacto		3035	1089 9416 07	1	Contact block	
3095	1623 7139 00	1	Plate		3040	1088 0037 30	2	Connector	
3100	1623 7140 00	1	Plate		3045	1089 0506 52	1	Terminal	
3105	1623 7142 00	1	Plate		3055	1089 9416 75	1	Connection block	
3120	1623 4625 00	1	Plate		3060	1089 9339 68	1	Filter	
3125	1079 9927 65	1	Decal		3065	1088 0037 32	1	Connector	
3140	1089 9168 57	3	Fuse		3075	1089 9415 21	1	Contacto	
3145	1089 0612 02	3	Fuse holder		3080	1089 9416 71	1	Circuit breaker	
3150	1089 9338 82	1	Freq. converter		3095	1623 7139 00	1	Plate	
3170	1623 1594 11	3	Plate		3100	1623 7140 00	1	Plate	
			<b>GA 132</b>		3105	1623 7142 00	1	Plate	
			<b>GA 132+</b>		3120	1623 4625 00	1	Plate	
			<b>GA 160</b>		3135	1089 9338 98	1	Contacto	
			<b>GA 160+</b>		3140	1089 0612 82	3	Fuse	
			<b>Pack and Full Feature-</b>		3145	1089 0612 05	3	Fuse holder	
			<b>IT network</b>		3165	1089 9338 40	1	Freq converter	
			<b>575V CSA-UL</b>		3170	1623 1594 11	3	Plate	
	<b>1900 3189 58</b>	<b>1</b>	<b>Control panel</b>						<b>Pack 500 V IEC</b>
3005	1089 9338 66	• 1	Converter						<b>Full feature 500 V IEC</b>
3020	1089 0691 01	• 1	Connector						<b>Pack 525 V IEC</b>
3025	1089 0506 32	• 1	Terminal						<b>Full feature 525 V IEC</b>
3030	1088 0031 62	• 3	Connector						<b>Pack 550 V IEC</b>
3035	1089 9416 07	• 1	Contact block						<b>Full feature 550 V IEC</b>
3040	1088 0037 30	• 2	Connector			<b>1900 3189 46</b>	<b>1</b>	<b>Control panel</b>	
3045	1089 0506 52	• 1	Terminal		3005	1089 9338 66	• 1	Converter	
3055	1089 9416 75	• 1	Connection block		3020	1089 0691 01	• 1	Connector	
3060	1089 9339 68	• 1	Filter		3025	1089 0506 32	• 1	Terminal	
3065	1088 0037 32	• 1	Connector		3030	1088 0031 62	• 3	Connector	
3075	1089 9415 15	• 1	Contacto		3035	1089 9416 07	• 1	Contact block	
3080	1089 9416 69	• 1	Circuit breaker		3040	1088 0037 30	• 2	Connector	
3090	1089 9302 02	• 1	Coil		3045	1089 0506 52	• 1	Terminal	
3095	1623 1594 00	• 1	Plate		3055	1089 9416 75	• 1	Connection block	
3100	1623 1594 01	• 1	Plate		3060	1089 9339 68	• 1	Filter	
3110	1623 4621 00	• 1	Plate		3065	1088 0037 32	• 1	Connector	
3115	1623 4622 00	• 1	Plate		3075	1089 9415 15	• 1	Contacto	
3125	1079 9927 65	• 1	Decal		3080	1089 9416 69	• 1	Circuit breaker	
3130	1089 0612 02	• 3	Fuse holder		3090	1089 9302 02	• 1	Coil	
3135	1089 9168 57	• 3	Fuse		3095	1623 1594 00	• 1	Plate	
			<b>GA 90+</b>		3100	1623 1594 01	• 1	Plate	
			<b>GA 110</b>		3110	1623 4621 00	• 1	Plate	
			<b>GA 110+</b>		3115	1623 4622 00	• 1	Plate	
			<b>High ambient condition -</b>		3125	1079 9927 65	• 1	Decal	
			<b>IT network</b>		3130	1089 0612 02	• 3	Fuse holder	
			<b>Pack 380 V IEC</b>		3135	1089 9168 57	• 3	Fuse	
			<b>Full feature 380 V IEC</b>						<b>Pack 460 V CSA-UL</b>
			<b>Pack 400 V IEC</b>						<b>Full feature 460 V CSA-UL</b>

49



73748

## Cubicle converter

49

Ref.	Partnumber	Qty	Name	Remarks	Ref.	Partnumber	Qty	Name	Remarks
	<b>1900 3189 92</b>	<b>1</b>	<b>Control panel</b>		3020	1089 0691 01	1	Connector	
3020	1089 0691 01	1	Connector		3025	1089 0506 32	1	Terminal	
3025	1089 0506 32	1	Terminal		3030	1088 0031 62	2	Connector	
3030	1088 0031 62	3	Connector		3035	1089 9416 07	1	Contact block	
3040	1088 0037 30	2	Connector		3040	1088 0037 30	2	Connector	
3045	1089 0506 52	1	Terminal		3045	1089 0506 52	1	Terminal	
3060	1089 9339 68	1	Filter		3055	1089 9416 75	1	Connection block	
3065	1088 0037 32	1	Connector		3060	1089 9339 68	1	Filter	
3075	1089 9415 24	1	Contacto		3065	1088 0037 32	1	Connector	
3095	1623 7139 00	1	Plate		3075	1089 9415 23	1	Contacto	
3100	1623 7140 00	1	Plate		3080	1089 9416 74	1	Circuit breaker	
3105	1623 7142 00	1	Plate		3095	1623 7139 00	1	Plate	
3120	1623 4625 00	1	Plate		3100	1623 7140 00	1	Plate	
3125	1079 9927 65	1	Decal		3105	1623 7142 00	1	Plate	
3135	1089 9338 98	1	Contacto		3120	1623 4625 00	1	Plate	
3140	1089 9168 61	3	Fuse		3140	1089 0612 82	3	Fuse	
3145	1089 0612 02	3	Fuse holder		3145	1089 0612 05	3	Fuse holder	
3165	1089 9338 40	1	Freq converter		3150	1089 9338 82	1	Freq converter	
3170	1623 1594 11	3	Plate		3170	1623 1594 11	3	Plate	
			<b>Pack 575 V CSA-UL</b>					<b>Water shut-off</b>	
			<b>Full feature 575 V</b>					<b>IEC</b>	
			<b>CSA-UL</b>					<b>Control panel</b>	
	<b>1900 3189 56</b>	<b>1</b>	<b>Control panel</b>		<b>1900 3187 79</b>	<b>1</b>	<b>Control panel</b>		
3005	1089 9338 66	• 1	Converter		4005	1089 9527 01	• 1	Timer	
3020	1089 0691 01	• 1	Connector		4010	1088 0037 64	• 1	Connector	
3025	1089 0506 32	• 1	Terminal		4015	1088 0031 03	• 1	Connector	
3030	1088 0031 62	• 3	Connector					<b>CSA-UL</b>	
3035	1089 9416 07	• 1	Contact block			<b>1900 3187 80</b>	<b>1</b>	<b>Control panel</b>	
3040	1088 0037 30	• 2	Connector		4005	1089 9527 02	• 1	Timer	
3045	1089 0506 52	• 1	Terminal		4010	1088 0037 64	• 1	Connector	
3055	1089 9416 75	• 1	Connection block		4015	1088 0031 03	• 1	Connector	
3060	1089 9339 68	• 1	Filter					<b>GA 90+</b>	
3065	1088 0037 32	• 1	Connector					<b>380 V IEC 50 Hz</b>	
3075	1089 9415 15	• 1	Contacto			<b>1900 3181 22</b>	<b>1</b>	<b>Control panel</b>	
3080	1089 9416 69	• 1	Circuit breaker		5010	1089 9446 71	• 1	Overload relay	
3090	1089 9302 02	• 1	Coil		5015	1089 0700 01	• 1	Connector	
3095	1623 1594 00	• 1	Plate		5020	1623 1594 08	• 1	Plate	
3100	1623 1594 01	• 1	Plate		5025	1089 9415 09	• 2	Contact block	
3110	1623 4621 00	• 1	Plate		5030	1089 9415 41	• 1	Contacto	
3115	1623 4622 00	• 1	Plate		5035	1089 9415 58	• 2	Contacto	
3125	1079 9927 65	• 1	Decal		5040	1089 0700 03	• 8	Contact	
3130	1089 0612 02	• 3	Fuse holder					<b>400 V IEC 50 Hz</b>	
3135	1089 9168 57	• 3	Fuse					<b>440 V IEC 60 Hz</b>	
			<b>GA 132</b>			<b>1900 3181 22</b>	<b>1</b>	<b>Control panel</b>	
			<b>GA 132+</b>		5010	1089 9446 71	• 1	Overload relay	
			<b>GA 160</b>		5015	1089 0700 01	• 1	Connector	
			<b>GA 160+</b>		5020	1623 1594 08	• 1	Plate	
			<b>High ambient condition -</b>		5025	1089 9415 09	• 2	Contact block	
			<b>IT network</b>		5030	1089 9415 41	• 1	Contacto	
			<b>Pack 380V IEC</b>		5035	1089 9415 58	• 2	Contacto	
			<b>Full Feature 380V IEC</b>		5040	1089 0700 03	• 8	Contact	
								<b>500 V IEC 50 Hz</b>	
	<b>1900 3189 84</b>	<b>1</b>	<b>Control panel</b>					<b>525 V IEC 50 Hz</b>	
3005	1089 9338 86	1	Freq. converter					<b>550 V IEC 50 Hz</b>	

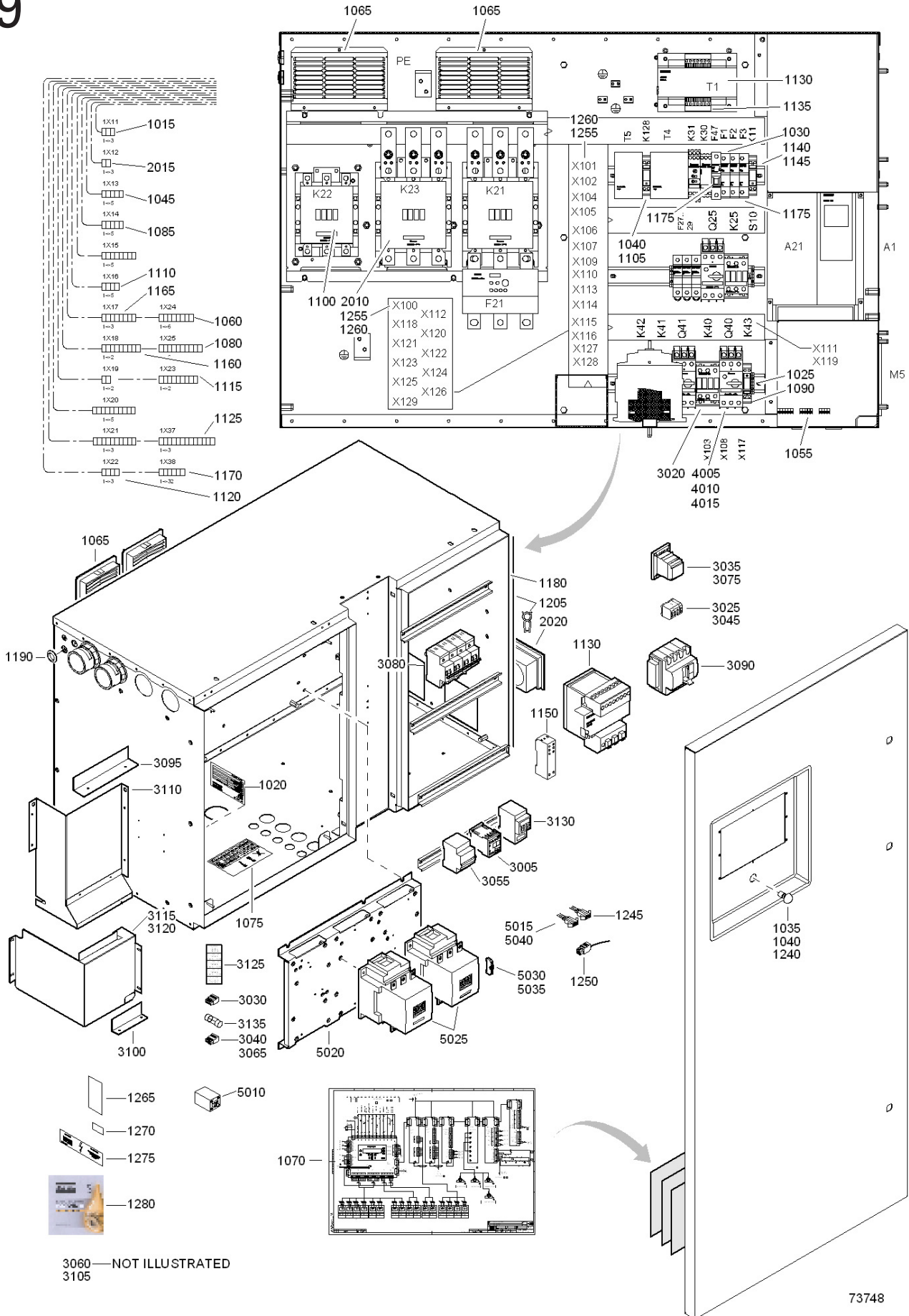




## Cubicle converter

Ref.	Part number	Qty	Name	Remarks	Ref.	Part number	Qty	Name	Remarks
	<b>1900 3181 21</b>	<b>1</b>	<b>Control panel</b>		5020	1623 1594 08	• 1	Plate	
5010	1089 9446 71	• 1	Overload relay		5025	1089 9415 09	• 2	Contact block	
5015	1089 0700 01	• 1	Connector		5030	1089 9415 41	• 1	Contact	
5020	1623 1594 08	• 1	Plate		5035	1089 9415 58	• 2	Contact	
5025	1089 9415 09	• 2	Contact block		5040	1089 0700 03	• 8	Contact	
5030	1089 9415 41	• 1	Contact					<b>500 V IEC 50 Hz</b>	
5035	1089 9415 58	• 2	Contact					<b>525 V IEC 50 Hz</b>	
5040	1089 0700 03	• 8	Contact					<b>550 V IEC 50 Hz</b>	
	<b>1900 3181 22</b>	<b>1</b>	<b>Control panel</b>			<b>1900 3181 22</b>	<b>1</b>	<b>Control panel</b>	
5010	1089 9446 71	• 1	Overload relay		5010	1089 9446 71	• 1	Overload relay	
5015	1089 0700 01	• 1	Connector		5015	1089 0700 01	• 1	Connector	
5020	1623 1594 08	• 1	Plate		5020	1623 1594 08	• 1	Plate	
5025	1089 9415 09	• 2	Contact block		5025	1089 9415 09	• 2	Contact block	
5030	1089 9415 41	• 1	Contact		5030	1089 9415 41	• 1	Contact	
5035	1089 9415 58	• 2	Contact		5035	1089 9415 58	• 2	Contact	
5040	1089 0700 03	• 8	Contact		5040	1089 0700 03	• 8	Contact	
									<b>380 V IEC 60 Hz</b>
	<b>1900 3181 32</b>	<b>1</b>	<b>Control panel</b>			<b>1900 3181 24</b>	<b>1</b>	<b>Control panel</b>	
5010	1089 9446 71	• 1	Overload relay		5010	1089 9446 71	• 1	Overload relay	
5015	1089 0700 01	• 1	Connector		5015	1089 0700 01	• 1	Connector	
5020	1623 1594 08	• 1	Plate		5020	1623 1594 08	• 1	Plate	
5025	1089 9415 09	• 2	Contact block		5025	1089 9415 09	• 2	Contact block	
5030	1089 9415 41	• 1	Contact		5030	1089 9415 41	• 1	Contact	
5035	1089 9415 58	• 2	Contact		5035	1089 9415 58	• 2	Contact	
5040	1089 0700 03	• 8	Contact		5040	1089 0700 03	• 8	Contact	
									<b>460 V CSA-UL 60 Hz</b>
	<b>1900 3181 31</b>	<b>1</b>	<b>Control panel</b>			<b>1900 3181 33</b>	<b>1</b>	<b>Control panel</b>	
5010	1089 9446 71	• 1	Overload relay		5010	1089 9446 71	• 1	Overload relay	
5015	1089 0700 01	• 1	Connector		5015	1089 0700 01	• 1	Connector	
5020	1623 1594 08	• 1	Plate		5020	1623 1594 08	• 1	Plate	
5025	1089 9415 09	• 2	Contact block		5025	1089 9415 09	• 2	Contact block	
5030	1089 9415 41	• 1	Contact		5030	1089 9415 41	• 1	Contact	
5035	1089 9415 58	• 2	Contact		5035	1089 9415 58	• 2	Contact	
5040	1089 0700 03	• 8	Contact		5040	1089 0700 03	• 8	Contact	
									<b>460 V CSA-UL 60 Hz</b>
	<b>1900 3181 30</b>	<b>1</b>	<b>Control panel</b>			<b>1900 3181 32</b>	<b>1</b>	<b>Control panel</b>	
5010	1089 9446 71	• 1	Overload relay		5010	1089 9446 71	• 1	Overload relay	
5015	1089 0700 01	• 1	Connector		5015	1089 0700 01	• 1	Connector	
5020	1623 1594 08	• 1	Plate		5020	1623 1594 08	• 1	Plate	
5025	1089 9415 09	• 2	Contact block		5025	1089 9415 09	• 2	Contact block	
5030	1089 9415 41	• 1	Contact		5030	1089 9415 41	• 1	Contact	
5035	1089 9415 58	• 2	Contact		5035	1089 9415 58	• 2	Contact	
5040	1089 0700 03	• 8	Contact		5040	1089 0700 03	• 8	Contact	
									<b>575 V CSA-UL 60 Hz</b>
	<b>1900 3181 24</b>	<b>1</b>	<b>Control panel</b>			<b>1900 3181 32</b>	<b>1</b>	<b>Control panel</b>	
5010	1089 9446 71	• 1	Overload relay		5010	1089 9446 71	• 1	Overload relay	
5015	1089 0700 01	• 1	Connector		5015	1089 0700 01	• 1	Connector	
5020	1623 1594 08	• 1	Plate		5020	1623 1594 08	• 1	Plate	
5025	1089 9415 09	• 2	Contact block		5025	1089 9415 09	• 2	Contact block	
5030	1089 9415 41	• 1	Contact		5030	1089 9415 41	• 1	Contact	
5035	1089 9415 58	• 2	Contact		5035	1089 9415 58	• 2	Contact	
5040	1089 0700 03	• 8	Contact		5040	1089 0700 03	• 8	Contact	
									<b>575 V CSA-UL 60 Hz</b>
	<b>1900 3181 23</b>	<b>1</b>	<b>Control panel</b>			<b>1900 3181 27</b>	<b>1</b>	<b>Control panel</b>	
5010	1089 9446 71	• 1	Overload relay		5010	1089 9446 71	• 1	Overload relay	
5015	1089 0700 01	• 1	Connector		5015	1089 0700 01	• 1	Connector	
					5020	1623 1594 08	• 1	Plate	
					5025	1089 9415 09	• 2	Contact block	
					5030	1089 9415 41	• 1	Contact	
					5035	1089 9415 58	• 2	Contact	
					5040	1089 0700 03	• 8	Contact	
									<b>GA 90+</b>
									<b>GA 110</b>
									<b>GA 110+</b>
									<b>Oversized motor</b>
									<b>380 V IEC 50 Hz</b>
									<b>400 V IEC 50 Hz</b>
									<b>440 V IEC 60 Hz</b>
									<b>GA 132</b>
									<b>380V IEC 50Hz</b>

49



73748

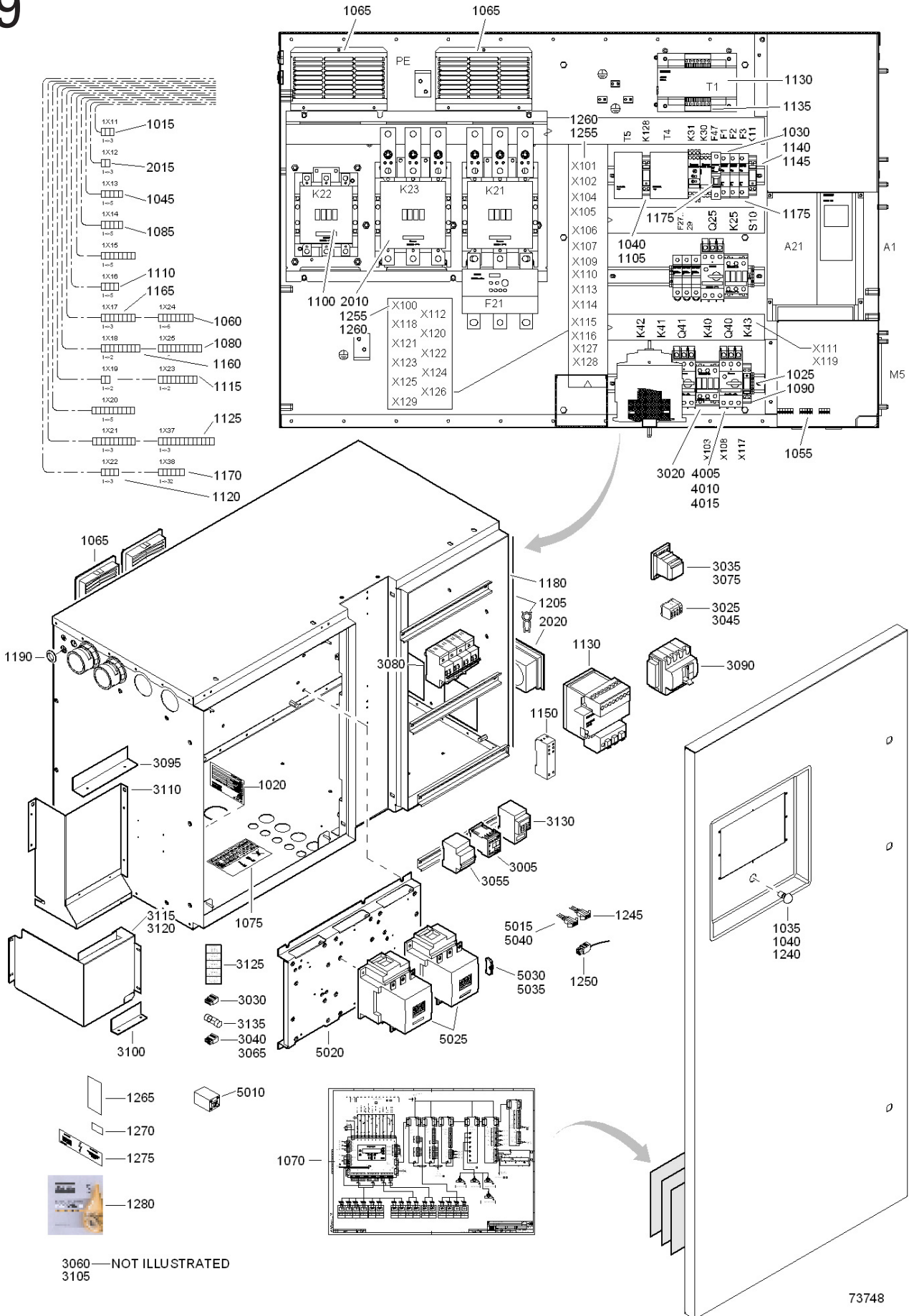
73748

## Cubicle converter

49

Ref.	Partnumber	Qty	Name	Remarks	Ref.	Partnumber	Qty	Name	Remarks
			<b>400V IEC 50Hz</b>		5040	1089 0700 03	• 8	Contact	
	<b>1900 3181 25</b>	<b>1</b>	<b>Control panel</b>					<b>GA 110+</b>	
5010	1089 9446 71	• 1	Overload relay					<b>GA 132</b>	
5015	1089 0700 01	• 1	Connector					<b>GA 132+</b>	
5020	1623 1594 08	• 1	Plate					<b>380V IEC 60Hz</b>	
5025	1089 9415 09	• 2	Contact block			<b>1900 3181 26</b>	<b>1</b>	<b>Control panel</b>	
5030	1089 9415 41	• 1	Contact		5010	1089 9446 71	• 1	Overload relay	
5035	1089 9415 58	• 2	Contact		5015	1089 0700 01	• 1	Connector	
5040	1089 0700 03	• 8	Contact		5020	1623 1594 08	• 1	Plate	
			<b>500V IEC 50Hz</b>		5025	1089 9415 09	• 2	Contact block	
			<b>525V IEC 50Hz</b>		5030	1089 9415 41	• 1	Contact	
	<b>1900 3181 22</b>	<b>1</b>	<b>Control panel</b>		5035	1089 9415 58	• 2	Contact	
5010	1089 9446 71	• 1	Overload relay		5040	1089 0700 03	• 8	Contact	
5015	1089 0700 01	• 1	Connector					<b>GA 132+</b>	
5020	1623 1594 08	• 1	Plate					<b>GA 160</b>	
5025	1089 9415 09	• 2	Contact block					<b>GA 160+</b>	
5030	1089 9415 41	• 1	Contact					<b>380V IEC 60Hz</b>	
5035	1089 9415 58	• 2	Contact			<b>1900 3181 28</b>	<b>1</b>	<b>Control panel</b>	
5040	1089 0700 03	• 8	Contact		5010	1089 9446 71	• 1	Overload relay	
			<b>550V IEC 50Hz</b>		5015	1089 0700 01	• 1	Connector	
	<b>1900 3181 23</b>	<b>1</b>	<b>Control panel</b>		5020	1623 1594 08	• 1	Plate	
5010	1089 9446 71	• 1	Overload relay		5025	1089 9415 09	• 2	Contact block	
5015	1089 0700 01	• 1	Connector		5030	1089 9415 41	• 1	Contact	
5020	1623 1594 08	• 1	Plate		5035	1089 9415 58	• 2	Contact	
5025	1089 9415 09	• 2	Contact block		5040	1089 0700 03	• 8	Contact	
5030	1089 9415 41	• 1	Contact					<b>GA 110+</b>	
5035	1089 9415 58	• 2	Contact					<b>GA 132+</b>	
5040	1089 0700 03	• 8	Contact					<b>400V IEC 50Hz</b>	
			<b>GA 110+</b>			<b>1900 3181 27</b>	<b>1</b>	<b>Control panel</b>	
			<b>GA 132+</b>		5010	1089 9446 71	• 1	Overload relay	
			<b>GA 160</b>		5015	1089 0700 01	• 1	Connector	
			<b>GA 160+</b>		5020	1623 1594 08	• 1	Plate	
			<b>380V IEC 50Hz</b>		5025	1089 9415 09	• 2	Contact block	
			<b>440V IEC 60Hz</b>		5030	1089 9415 41	• 1	Contact	
	<b>1900 3181 27</b>	<b>1</b>	<b>Control panel</b>		5035	1089 9415 58	• 2	Contact	
5010	1089 9446 71	• 1	Overload relay		5040	1089 0700 03	• 8	Contact	
5015	1089 0700 01	• 1	Connector					<b>GA 132+</b>	
5020	1623 1594 08	• 1	Plate					<b>GA 160</b>	
5025	1089 9415 09	• 2	Contact block					<b>GA 160+</b>	
5030	1089 9415 41	• 1	Contact					<b>400V IEC 50Hz</b>	
5035	1089 9415 58	• 2	Contact			<b>1900 3181 28</b>	<b>1</b>	<b>Control panel</b>	
5040	1089 0700 03	• 8	Contact		5010	1089 9446 71	• 1	Overload relay	
			<b>GA 132+</b>		5015	1089 0700 01	• 1	Connector	
			<b>GA 160</b>		5020	1623 1594 08	• 1	Plate	
			<b>GA 160+</b>		5025	1089 9415 09	• 2	Contact block	
			<b>380V IEC 50Hz</b>		5030	1089 9415 41	• 1	Contact	
	<b>1900 3181 28</b>	<b>1</b>	<b>Control panel</b>		5035	1089 9415 58	• 2	Contact	
5010	1089 9446 71	• 1	Overload relay		5040	1089 0700 03	• 8	Contact	
5015	1089 0700 01	• 1	Connector					<b>GA 110+</b>	
5020	1623 1594 08	• 1	Plate					<b>GA 132</b>	
5025	1089 9415 09	• 2	Contact block					<b>GA 132+</b>	
5030	1089 9415 41	• 1	Contact					<b>440V IEC 60Hz</b>	
5035	1089 9415 58	• 2	Contact			<b>1900 3181 24</b>	<b>1</b>	<b>Control panel</b>	

49

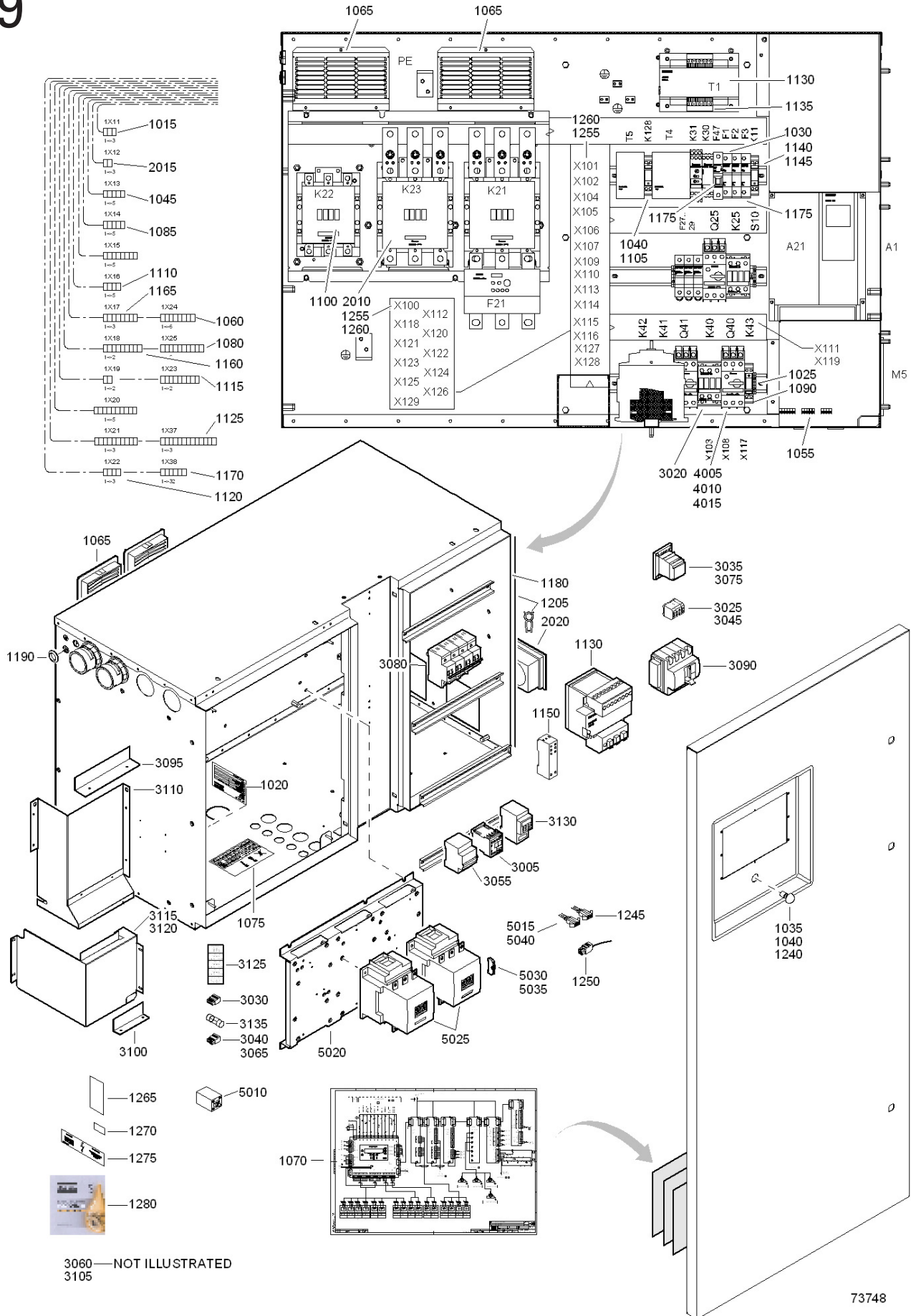


73748

## Cubicle converter

Ref.	Partnumber	Qty	Name	Remarks	Ref.	Partnumber	Qty	Name	Remarks
5010	1089 9446 71	• 1	Overload relay		5025	1089 9415 09	• 2	Contact block	
5015	1089 0700 01	• 1	Connector		5030	1089 9415 41	• 1	Contact	
5020	1623 1594 08	• 1	Plate		5035	1089 9415 58	• 2	Contact	
5025	1089 9415 09	• 2	Contact block		5040	1089 0700 03	• 8	Contact	
5030	1089 9415 41	• 1	Contact					<b>GA 132+</b>	
5035	1089 9415 58	• 2	Contact					<b>GA 160</b>	
5040	1089 0700 03	• 8	Contact					<b>GA 160+</b>	
								<b>550V IEC 50Hz</b>	
	<b>1900 3181 33</b>	<b>1</b>	<b>Control panel</b>			<b>1900 3181 25</b>	<b>1</b>	<b>Control panel</b>	
5010	1089 9446 71	• 1	Overload relay		5010	1089 9446 71	• 1	Overload relay	
5015	1089 0700 01	• 1	Connector		5015	1089 0700 01	• 1	Connector	
5020	1623 1594 08	• 1	Plate		5020	1623 1594 08	• 1	Plate	
5025	1089 9415 09	• 2	Contact block		5025	1089 9415 09	• 2	Contact block	
5030	1089 9415 41	• 1	Contact		5030	1089 9415 41	• 1	Contact	
5035	1089 9415 58	• 2	Contact		5035	1089 9415 58	• 2	Contact	
5040	1089 0700 03	• 8	Contact		5040	1089 0700 03	• 8	Contact	
								<b>GA 110+</b>	
								<b>GA 132</b>	
								<b>GA 132+</b>	
								<b>575V CSA-UL 60Hz</b>	
	<b>1900 3181 34</b>	<b>1</b>	<b>Control panel</b>			<b>1900 3181 32</b>	<b>1</b>	<b>Control panel</b>	
5010	1089 9446 71	• 1	Overload relay		5010	1089 9446 71	• 1	Overload relay	
5015	1089 0700 01	• 1	Connector		5015	1089 0700 01	• 1	Connector	
5020	1623 1594 08	• 1	Plate		5020	1623 1594 08	• 1	Plate	
5025	1089 9415 09	• 2	Contact block		5025	1089 9415 09	• 2	Contact block	
5030	1089 9415 41	• 1	Contact		5030	1089 9415 41	• 1	Contact	
5035	1089 9415 58	• 2	Contact		5035	1089 9415 58	• 2	Contact	
5040	1089 0700 03	• 8	Contact		5040	1089 0700 03	• 8	Contact	
								<b>GA 110+</b>	
								<b>GA 132</b>	
								<b>GA 132+</b>	
								<b>575V CSA-UL 60Hz</b>	
	<b>1900 3181 34</b>	<b>1</b>	<b>Control panel</b>			<b>1900 3181 33</b>	<b>1</b>	<b>Control panel</b>	
5010	1089 9446 71	• 1	Overload relay		5010	1089 9446 71	• 1	Overload relay	
5015	1089 0700 01	• 1	Connector		5015	1089 0700 01	• 1	Connector	
5020	1623 1594 08	• 1	Plate		5020	1623 1594 08	• 1	Plate	
5025	1089 9415 09	• 2	Contact block		5025	1089 9415 09	• 2	Contact block	
5030	1089 9415 41	• 1	Contact		5030	1089 9415 41	• 1	Contact	
5035	1089 9415 58	• 2	Contact		5035	1089 9415 58	• 2	Contact	
5040	1089 0700 03	• 8	Contact		5040	1089 0700 03	• 8	Contact	
								<b>GA 110+</b>	
								<b>GA 132</b>	
								<b>GA 132+</b>	
								<b>575V CSA-UL 60Hz</b>	
	<b>1900 3181 23</b>	<b>1</b>	<b>Control panel</b>			<b>1900 3181 33</b>	<b>1</b>	<b>Control panel</b>	
5010	1089 9446 71	• 1	Overload relay		5010	1089 9446 71	• 1	Overload relay	
5015	1089 0700 01	• 1	Connector		5015	1089 0700 01	• 1	Connector	
5020	1623 1594 08	• 1	Plate		5020	1623 1594 08	• 1	Plate	
5025	1089 9415 09	• 2	Contact block		5025	1089 9415 09	• 2	Contact block	
5030	1089 9415 41	• 1	Contact		5030	1089 9415 41	• 1	Contact	
5035	1089 9415 58	• 2	Contact		5035	1089 9415 58	• 2	Contact	
5040	1089 0700 03	• 8	Contact		5040	1089 0700 03	• 8	Contact	
								<b>GA 90+</b>	
								<b>With PT 1000s in</b>	
								<b>the windings</b>	
								<b>Anti-condensation heaters</b>	
								<b>380 V IEC 50 Hz</b>	
	<b>1900 3181 22</b>	<b>1</b>	<b>Control panel</b>			<b>1900 3181 22</b>	<b>1</b>	<b>Control panel</b>	
5010	1089 9446 71	• 1	Overload relay		5010	1089 9446 71	• 1	Overload relay	
5015	1089 0700 01	• 1	Connector		5015	1089 0700 01	• 1	Connector	
5020	1623 1594 08	• 1	Plate		5020	1623 1594 08	• 1	Plate	
5025	1089 9415 09	• 2	Contact block		5025	1089 9415 09	• 2	Contact block	
5030	1089 9415 41	• 1	Contact		5030	1089 9415 41	• 1	Contact	
5035	1089 9415 58	• 2	Contact		5035	1089 9415 58	• 2	Contact	
5040	1089 0700 03	• 8	Contact		5040	1089 0700 03	• 8	Contact	
								<b>GA 132+</b>	
								<b>GA 160</b>	
								<b>GA 160+</b>	
								<b>500V IEC 50Hz</b>	
								<b>525V IEC 50Hz</b>	
								<b>550V IEC 50Hz</b>	
	<b>1900 3181 24</b>	<b>1</b>	<b>Control panel</b>			<b>1900 3181 22</b>	<b>1</b>	<b>Control panel</b>	
5010	1089 9446 71	• 1	Overload relay		5010	1089 9446 71	• 1	Overload relay	
5015	1089 0700 01	• 1	Connector		5015	1089 0700 01	• 1	Connector	
5020	1623 1594 08	• 1	Plate		5020	1623 1594 08	• 1	Plate	

49



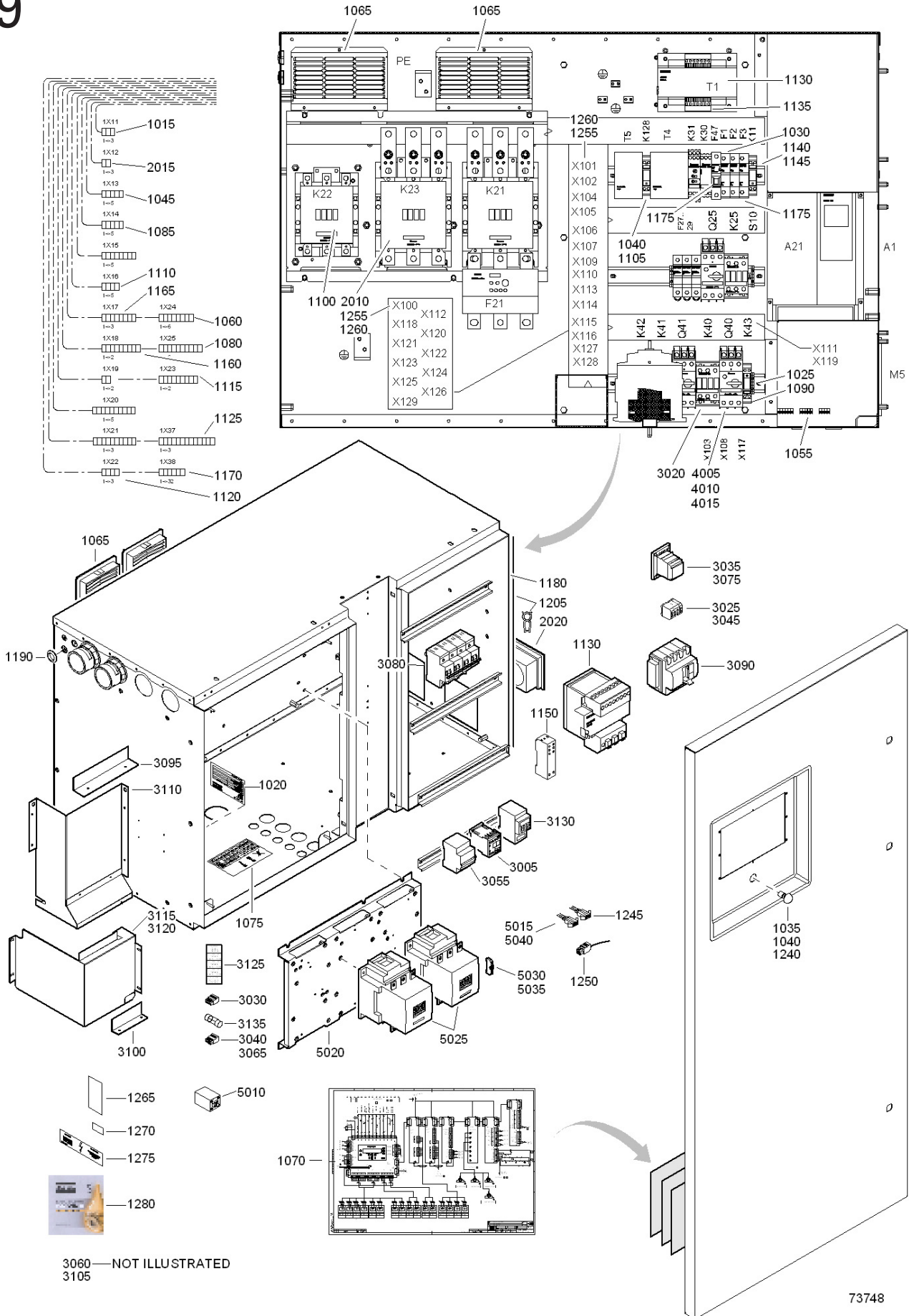
73748

## Cubicle converter

49

Ref.	Partnumber	Qty	Name	Remarks	Ref.	Partnumber	Qty	Name	Remarks
			<b>400 V IEC 50 Hz</b>					<b>With PT 1000s in the windings</b>	
			<b>440 V IEC 60 Hz</b>					<b>Anti-condensation heaters</b>	
	<b>1900 3181 22</b>	<b>1</b>	<b>Control panel</b>					<b>Oversized motor</b>	
5010	1089 9446 71	• 1	Overload relay					<b>380 V IEC 50 Hz</b>	
5015	1089 0700 01	• 1	Connector						
5020	1623 1594 08	• 1	Plate						
5025	1089 9415 09	• 2	Contact block						
5030	1089 9415 41	• 1	Contact						
5035	1089 9415 58	• 2	Contact						
5040	1089 0700 03	• 8	Contact						
			<b>500 V IEC 50 Hz</b>						
			<b>525 V IEC 50 Hz</b>						
			<b>550 V IEC 50 Hz</b>						
	<b>1900 3181 21</b>	<b>1</b>	<b>Control panel</b>					<b>400 V IEC 50 Hz</b>	
5010	1089 9446 71	• 1	Overload relay					<b>440 V IEC 60 Hz</b>	
5015	1089 0700 01	• 1	Connector						
5020	1623 1594 08	• 1	Plate						
5025	1089 9415 09	• 2	Contact block						
5030	1089 9415 41	• 1	Contact						
5035	1089 9415 58	• 2	Contact						
5040	1089 0700 03	• 8	Contact						
			<b>380 V IEC 60 Hz</b>						
	<b>1900 3181 22</b>	<b>1</b>	<b>Control panel</b>					<b>500 V IEC 50 Hz</b>	
5010	1089 9446 71	• 1	Overload relay					<b>525 V IEC 50 Hz</b>	
5015	1089 0700 01	• 1	Connector					<b>550 V IEC 50 Hz</b>	
5020	1623 1594 08	• 1	Plate						
5025	1089 9415 09	• 2	Contact block						
5030	1089 9415 41	• 1	Contact						
5035	1089 9415 58	• 2	Contact						
5040	1089 0700 03	• 8	Contact						
			<b>460 V CSA-UL 60 Hz</b>						
	<b>1900 3181 32</b>	<b>1</b>	<b>Control panel</b>					<b>Control panel</b>	
5010	1089 9446 71	• 1	Overload relay					Overload relay	
5015	1089 0700 01	• 1	Connector					Connector	
5020	1623 1594 08	• 1	Plate					Plate	
5025	1089 9415 09	• 2	Contact block					Contact block	
5030	1089 9415 41	• 1	Contact					Contact	
5035	1089 9415 58	• 2	Contact					Contact	
5040	1089 0700 03	• 8	Contact					Contact	
			<b>575 V CSA-UL 60 Hz</b>						
	<b>1900 3181 31</b>	<b>1</b>	<b>Control panel</b>					<b>380 V IEC 60 Hz</b>	
5010	1089 9446 71	• 1	Overload relay					<b>Control panel</b>	
5015	1089 0700 01	• 1	Connector					Overload relay	
5020	1623 1594 08	• 1	Plate					Connector	
5025	1089 9415 09	• 2	Contact block					Plate	
5030	1089 9415 41	• 1	Contact					Contact block	
5035	1089 9415 58	• 2	Contact					Contact	
5040	1089 0700 03	• 8	Contact					Contact	
			<b>GA 90+</b>						
			<b>GA 110</b>						
			<b>GA 110+</b>						

49

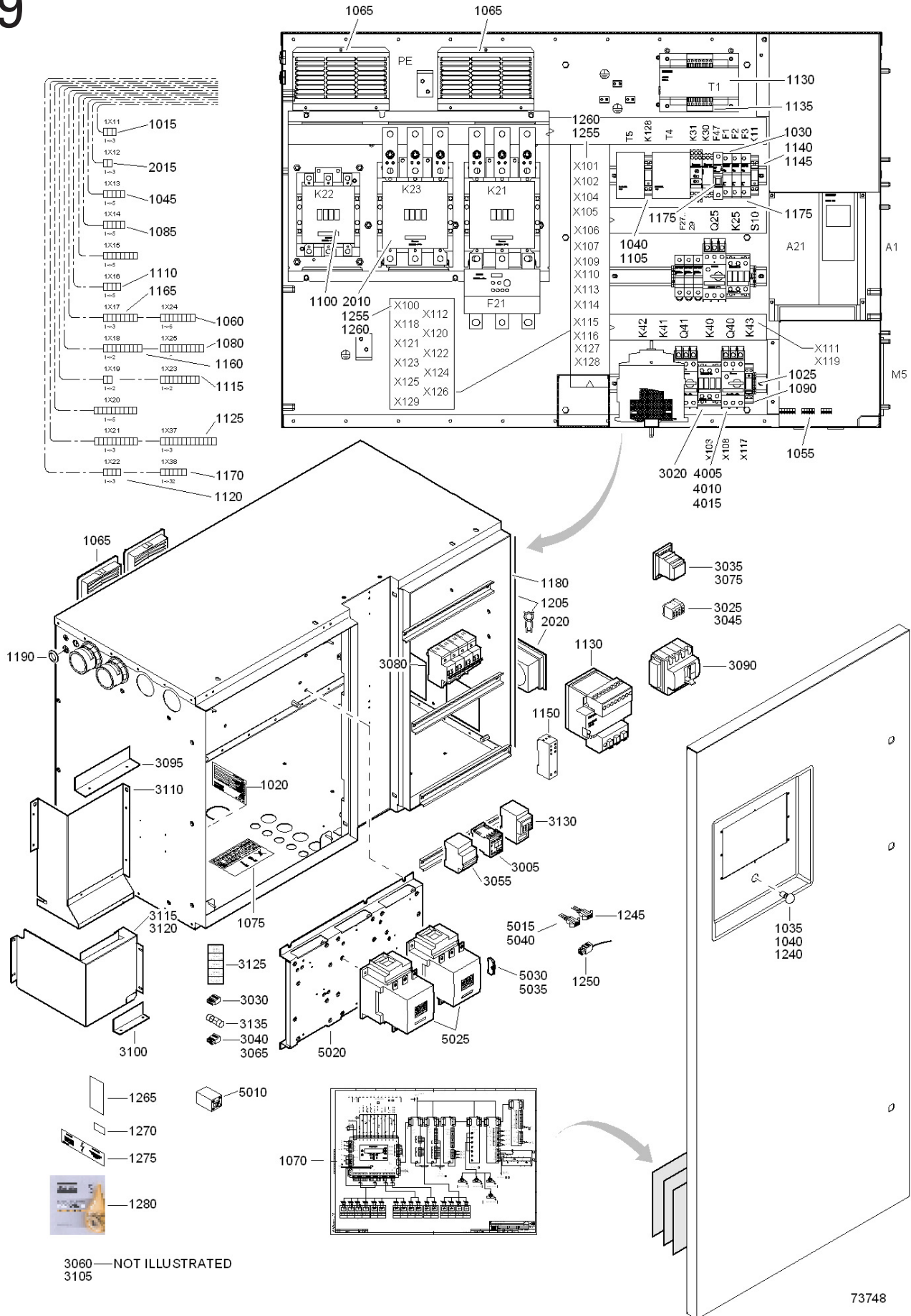




## Cubicle converter

Ref.	Partnumber	Qty	Name	Remarks	Ref.	Partnumber	Qty	Name	Remarks
5035	1089 9415 58	• 2	Contact		5025	1089 9415 09	• 2	Contact block	
5040	1089 0700 03	• 8	Contact		5030	1089 9415 41	• 1	Contact	
			<b>575 V CSA-UL 60 Hz</b>		5035	1089 9415 58	• 2	Contact	
	<b>1900 3181 32</b>	<b>1</b>	<b>Control panel</b>		5040	1089 0700 03	• 8	Contact	
5010	1089 9446 71	• 1	Overload relay					<b>GA 110+</b>	
5015	1089 0700 01	• 1	Connector					<b>GA 132+</b>	
5020	1623 1594 08	• 1	Plate					<b>GA 160</b>	
5025	1089 9415 09	• 2	Contact block					<b>GA 160+</b>	
5030	1089 9415 41	• 1	Contact					<b>With PT 1000s in</b>	
5035	1089 9415 58	• 2	Contact					<b>the windings</b>	
5040	1089 0700 03	• 8	Contact					<b>With Anti-condensation</b>	
			<b>GA 132</b>					<b>heaters</b>	
			<b>With PT 1000s in</b>					<b>380V IEC 50Hz</b>	
			<b>the windings</b>					<b>440V IEC 60Hz</b>	
			<b>With Anti-condensation</b>					<b>Control panel</b>	
			<b>heaters</b>		<b>1900 3181 27</b>	<b>1</b>			
			<b>380V IEC 50Hz</b>		5010	1089 9446 71	• 1	Overload relay	
	<b>1900 3181 27</b>	<b>1</b>	<b>Control panel</b>		5015	1089 0700 01	• 1	Connector	
5010	1089 9446 71	• 1	Overload relay		5020	1623 1594 08	• 1	Plate	
5015	1089 0700 01	• 1	Connector		5025	1089 9415 09	• 2	Contact block	
5020	1623 1594 08	• 1	Plate		5030	1089 9415 41	• 1	Contact	
5025	1089 9415 09	• 2	Contact block		5035	1089 9415 58	• 2	Contact	
5030	1089 9415 41	• 1	Contact		5040	1089 0700 03	• 8	Contact	
5035	1089 9415 58	• 2	Contact					<b>GA 132+</b>	
5040	1089 0700 03	• 8	Contact					<b>GA 160</b>	
			<b>GA 132</b>					<b>GA 160+</b>	
			<b>400V IEC 50Hz</b>					<b>380V IEC 50Hz</b>	
	<b>1900 3181 25</b>	<b>1</b>	<b>Control panel</b>					<b>Control panel</b>	
5010	1089 9446 71	• 1	Overload relay		<b>1900 3181 28</b>	<b>1</b>			
5015	1089 0700 01	• 1	Connector		5010	1089 9446 71	• 1	Overload relay	
5020	1623 1594 08	• 1	Plate		5015	1089 0700 01	• 1	Connector	
5025	1089 9415 09	• 2	Contact block		5020	1623 1594 08	• 1	Plate	
5030	1089 9415 41	• 1	Contact		5025	1089 9415 09	• 2	Contact block	
5035	1089 9415 58	• 2	Contact		5030	1089 9415 41	• 1	Contact	
5040	1089 0700 03	• 8	Contact		5035	1089 9415 58	• 2	Contact	
			<b>GA 132</b>		5040	1089 0700 03	• 8	Contact	
			<b>500V IEC 50Hz</b>					<b>GA 110+</b>	
			<b>525V IEC 50Hz</b>					<b>GA 132</b>	
	<b>1900 3181 22</b>	<b>1</b>	<b>Control panel</b>					<b>GA 132+</b>	
5010	1089 9446 71	• 1	Overload relay					<b>380V IEC 60Hz</b>	
5015	1089 0700 01	• 1	Connector					<b>Control panel</b>	
5020	1623 1594 08	• 1	Plate		<b>1900 3181 26</b>	<b>1</b>			
5025	1089 9415 09	• 2	Contact block		5010	1089 9446 71	• 1	Overload relay	
5030	1089 9415 41	• 1	Contact		5015	1089 0700 01	• 1	Connector	
5035	1089 9415 58	• 2	Contact		5020	1623 1594 08	• 1	Plate	
5040	1089 0700 03	• 8	Contact		5025	1089 9415 09	• 2	Contact block	
			<b>GA 132</b>		5030	1089 9415 41	• 1	Contact	
			<b>550V IEC 50Hz</b>		5035	1089 9415 58	• 2	Contact	
	<b>1900 3181 23</b>	<b>1</b>	<b>Control panel</b>		5040	1089 0700 03	• 8	Contact	
5010	1089 9446 71	• 1	Overload relay					<b>GA 132+</b>	
5015	1089 0700 01	• 1	Connector					<b>GA 160</b>	
5020	1623 1594 08	• 1	Plate					<b>GA 160+</b>	
								<b>380V IEC 60Hz</b>	
					<b>1900 3181 28</b>	<b>1</b>		<b>Control panel</b>	
					5010	1089 9446 71	• 1	Overload relay	

49



73748

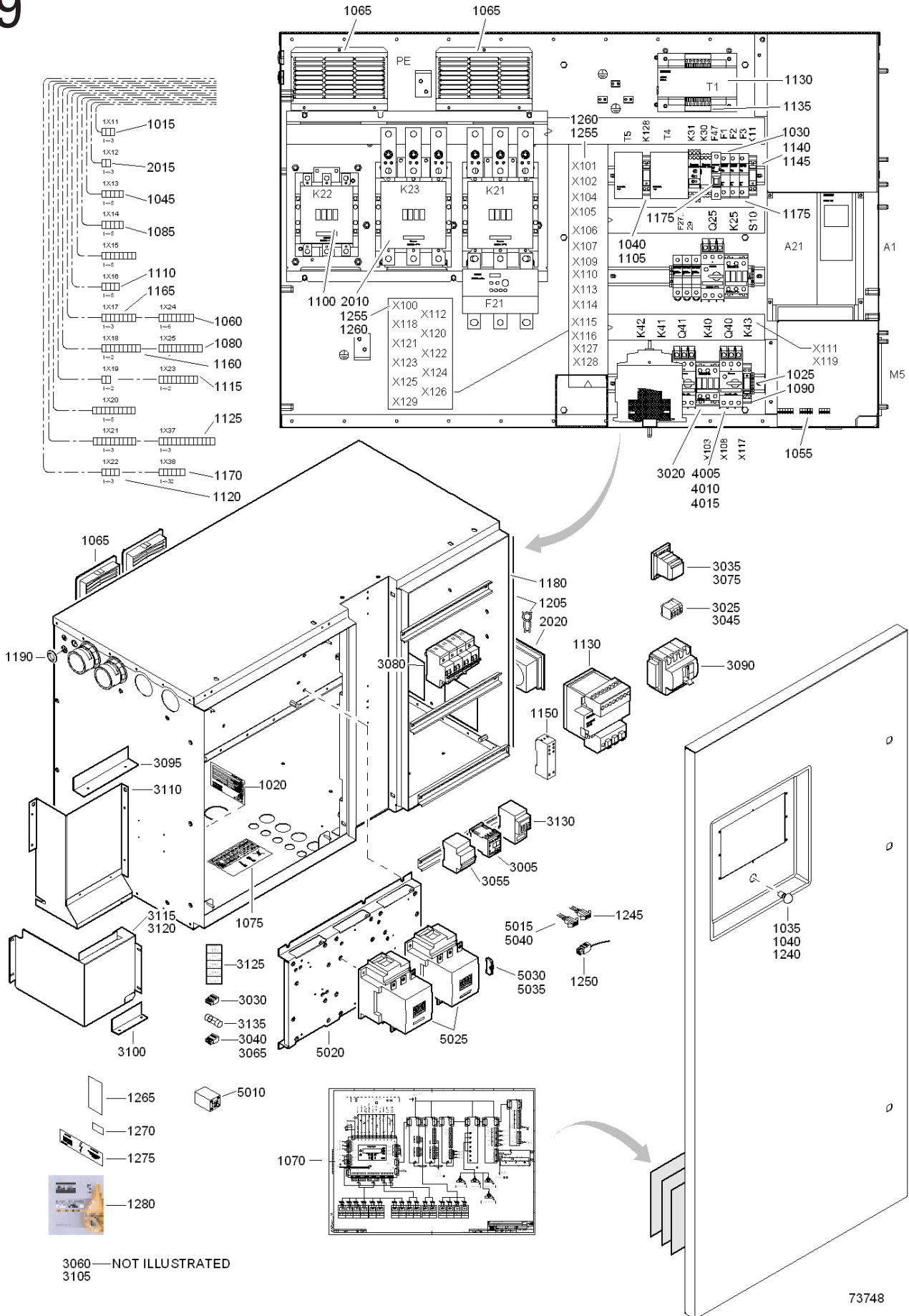
73748

## Cubicle converter

49

Ref.	Partnumber	Qty	Name	Remarks	Ref.	Partnumber	Qty	Name	Remarks
5015	1089 0700 01	• 1	Connector		5030	1089 9415 41	• 1	Contact	
5020	1623 1594 08	• 1	Plate		5035	1089 9415 58	• 2	Contact	
5025	1089 9415 09	• 2	Contact block		5040	1089 0700 03	• 8	Contact	
5030	1089 9415 41	• 1	Contact					<b>GA 132+</b>	
5035	1089 9415 58	• 2	Contact					<b>GA 160</b>	
5040	1089 0700 03	• 8	Contact					<b>GA 160+</b>	
			<b>GA 110+</b>					<b>460V CSA-UL 60Hz</b>	
			<b>GA 132+</b>			<b>1900 3181 34</b>	<b>1</b>	<b>Control panel</b>	
			<b>400V IEC 50Hz</b>		5010	1089 9446 71	• 1	Overload relay	
	<b>1900 3181 27</b>	<b>1</b>	<b>Control panel</b>		5015	1089 0700 01	• 1	Connector	
5010	1089 9446 71	• 1	Overload relay		5020	1623 1594 08	• 1	Plate	
5015	1089 0700 01	• 1	Connector		5025	1089 9415 09	• 2	Contact block	
5020	1623 1594 08	• 1	Plate		5030	1089 9415 41	• 1	Contact	
5025	1089 9415 09	• 2	Contact block		5035	1089 9415 58	• 2	Contact	
5030	1089 9415 41	• 1	Contact		5040	1089 0700 03	• 8	Contact	
5035	1089 9415 58	• 2	Contact					<b>GA 110+</b>	
5040	1089 0700 03	• 8	Contact					<b>GA 132+</b>	
			<b>GA 132+</b>					<b>500V IEC 50Hz</b>	
			<b>GA 160</b>					<b>525V IEC 50Hz</b>	
			<b>GA 160+</b>					<b>550V IEC 50Hz</b>	
			<b>400V IEC 50Hz</b>			<b>1900 3181 23</b>	<b>1</b>	<b>Control panel</b>	
	<b>1900 3181 28</b>	<b>1</b>	<b>Control panel</b>		5010	1089 9446 71	• 1	Overload relay	
5010	1089 9446 71	• 1	Overload relay		5015	1089 0700 01	• 1	Connector	
5015	1089 0700 01	• 1	Connector		5020	1623 1594 08	• 1	Plate	
5020	1623 1594 08	• 1	Plate		5025	1089 9415 09	• 2	Contact block	
5025	1089 9415 09	• 2	Contact block		5030	1089 9415 41	• 1	Contact	
5030	1089 9415 41	• 1	Contact		5035	1089 9415 58	• 2	Contact	
5035	1089 9415 58	• 2	Contact		5040	1089 0700 03	• 8	Contact	
5040	1089 0700 03	• 8	Contact					<b>GA 132+</b>	
			<b>GA 110+</b>					<b>GA 160</b>	
			<b>GA 132</b>					<b>GA 160+</b>	
			<b>GA 132+</b>					<b>500V IEC 50Hz</b>	
			<b>440V IEC 60Hz</b>					<b>525V IEC 50Hz</b>	
	<b>1900 3181 24</b>	<b>1</b>	<b>Control panel</b>			<b>1900 3181 24</b>	<b>1</b>	<b>Control panel</b>	
5010	1089 9446 71	• 1	Overload relay		5010	1089 9446 71	• 1	Overload relay	
5015	1089 0700 01	• 1	Connector		5015	1089 0700 01	• 1	Connector	
5020	1623 1594 08	• 1	Plate		5020	1623 1594 08	• 1	Plate	
5025	1089 9415 09	• 2	Contact block		5025	1089 9415 09	• 2	Contact block	
5030	1089 9415 41	• 1	Contact		5030	1089 9415 41	• 1	Contact	
5035	1089 9415 58	• 2	Contact		5035	1089 9415 58	• 2	Contact	
5040	1089 0700 03	• 8	Contact		5040	1089 0700 03	• 8	Contact	
			<b>GA 110+</b>					<b>GA 132+</b>	
			<b>GA 132</b>					<b>GA 160</b>	
			<b>GA 132+</b>					<b>GA 160+</b>	
			<b>460V CSA-UL 60Hz</b>					<b>550V IEC 50Hz</b>	
	<b>1900 3181 33</b>	<b>1</b>	<b>Control panel</b>			<b>1900 3181 25</b>	<b>1</b>	<b>Control panel</b>	
5010	1089 9446 71	• 1	Overload relay		5010	1089 9446 71	• 1	Overload relay	
5015	1089 0700 01	• 1	Connector		5015	1089 0700 01	• 1	Connector	
5020	1623 1594 08	• 1	Plate		5020	1623 1594 08	• 1	Plate	
5025	1089 9415 09	• 2	Contact block		5025	1089 9415 09	• 2	Contact block	

49



**Cubicle converter**

49

Ref.	Part number	Qty	Name	Remarks	Ref.	Part number	Qty	Name	Remarks
5030	1089 9415 41	• 1	Contact		5035	1089 9415 58	• 2	Contact	
5035	1089 9415 58	• 2	Contact		5040	1089 0700 03	• 8	Contact	
5040	1089 0700 03	• 8	Contact					<b>GA 132+</b>	
			<b>GA 110+</b>					<b>GA 160</b>	
			<b>GA 132</b>					<b>GA 160+</b>	
			<b>GA 132+</b>					<b>575V CSA-UL 60Hz</b>	
	<b>1900 3181 32</b>	<b>1</b>	<b>Control panel</b>			<b>1900 3181 33</b>	<b>1</b>	<b>Control panel</b>	
5010	1089 9446 71	• 1	Overload relay		5010	1089 9446 71	• 1	Overload relay	
5015	1089 0700 01	• 1	Connector		5015	1089 0700 01	• 1	Connector	
5020	1623 1594 08	• 1	Plate		5020	1623 1594 08	• 1	Plate	
5025	1089 9415 09	• 2	Contact block		5025	1089 9415 09	• 2	Contact block	
5030	1089 9415 41	• 1	Contact		5030	1089 9415 41	• 1	Contact	
5035	1089 9415 58	• 2	Contact		5035	1089 9415 58	• 2	Contact	
5040	1089 0700 03	• 8	Contact		5040	1089 0700 03	• 8	Contact	



## Bodywork - Aircooled

Ref.	Partnumber	Qty	Name	Remarks	Ref.	Partnumber	Qty	Name	Remarks
			<b>Air cooled</b>			<b>1623 0444 80</b>	<b>1</b>	<b>Panel</b>	1)
			<b>Pack</b>		2010		• 1	Panel	
1010	1623 154700	1	Frame		2020	1623 0293 00	• 1	Panel	
1020	1613 5983 02	1	Plug		2025	1623 1575 00	• 1	Profile	
1100	1623 0438 00	4	Stay		2030	1619 2758 00	• AR	Seal	
<b>1110</b>	<b>1623 0180 80</b>	<b>1</b>	<b>Stay</b>	1)	2040	1079 1472 06	• 4	<b>Bolt</b>	
<b>1115</b>	<b>1623 0180 80</b>	<b>3</b>	<b>Stay</b>	1)		<b>1623 0170 80</b>	<b>1</b>	<b>Roof</b>	
1120	1619 2766 00	2	Bolt		3010		• 1	Roof	
1125	1619 2766 00	14	Bolt		3020	1623 1131 00	• 1	Plate	
1132	1623 1748 01	1	Screen		3030	0147 1963 08	• 3	Hexagon bolt	
1134	0160 0997 11	4	Screw					<b>Pack - High ambient</b>	
1136	0301 2321 00	4	Washer					<b>condition</b>	
1137	1079 9901 67	1	Label		1010	1623 1547 00	1	Frame	
1138	1088 1001 04	1	Warning mark		1020	1613 5983 02	1	Plug	
<b>1140</b>	<b>1621 6879 80</b>	<b>4</b>	<b>Door</b>	2)	1100	1623 0438 00	4	Stay	
	2252 7237 00	• 2	Doorlock		<b>1110</b>	<b>1623 0180 80</b>	<b>1</b>	<b>Stay</b>	1)
<b>1150</b>	<b>1621 6885 80</b>	<b>1</b>	<b>Door</b>	2)	<b>1115</b>	<b>1623 0180 80</b>	<b>3</b>	<b>Stay</b>	1)
	1623 1340 00	• 3	Lock		1120	1619 2766 00	2	Bolt	
1152	0266 2110 00	1	Hexagon nut		1125	1619 2766 00	14	Bolt	
1154	0333 3227 00	1	Lock washer		1132	1623 2893 01	1	Screen	
<b>1160</b>	<b>1621 6880 80</b>	<b>1</b>	<b>Door</b>	2)	1134	0160 0997 11	4	Screw	
	1623 1340 00	• 3	Lock		1136	0301 2321 00	4	Washer	
1162	0266 2110 00	1	Hexagon nut		1137	1079 9901 67	1	Label	
1164	0333 3227 00	1	Lock washer		1138	1088 1001 04	1	Warning mark	
1166	0266 2108 00	1	Nut		<b>1140</b>	<b>1621 6879 80</b>	<b>4</b>	<b>Door</b>	2)
1168	0301 2335 00	1	Washer			2252 7237 00	• 2	Doorlock	
1180	1621 2538 00	2	Hinge		<b>1150</b>	<b>1623 2892 80</b>	<b>1</b>	<b>Door</b>	2)
1185	1621 2538 00	6	Hinge			1623 1340 00	• 3	Lock	
1190	1623 0503 00	4	Hinge		1152	0266 2110 00	1	Hexagon nut	
1200	0147 1320 03	4	Bolt		1154	0333 3227 00	1	Lock washer	
1205	0147 1320 03	20	Bolt		<b>1160</b>	<b>1623 2851 80</b>	<b>1</b>	<b>Door</b>	2)
1210	1621 0607 00	2	Hinge			1623 1340 00	• 3	Lock	
1215	1621 0607 00	10	Hinge		1161	0348 0102 09	2	Cable tie	
<b>1220</b>	<b>1623 0439 80</b>	<b>1</b>	<b>Panel</b>	1)	1162	0266 2110 00	1	Hexagon nut	
<b>1240</b>	<b>1623 0443 80</b>	<b>1</b>	<b>Panel</b>	1)	1164	0333 3227 00	1	Lock washer	
<b>1250</b>	<b>1623 0441 80</b>	<b>1</b>	<b>Panel</b>	1)	1166	0266 2108 00	1	Nut	
<b>1260</b>	<b>1623 0381 80</b>	<b>1</b>	<b>Panel</b>	1)	1168	0301 2335 00	1	Washer	
1270	1619 2766 00	4	Bolt		1180	1621 2538 00	2	Hinge	
1280	0147 1963 08	12	Hexagon bolt		1185	1621 2538 00	6	Hinge	
1290	1623 1831 00	1	Roof		1190	1623 0503 00	4	Hinge	
1310	1623 0442 00	1	Roof		1200	0147 1320 03	4	Bolt	
1315	1088 0803 08	1	Grommet		1205	0147 1320 03	20	Bolt	
1320	0147 1963 08	49	Hexagon bolt		1210	1621 0607 00	2	Hinge	
1325	0301 2344 00	18	Washer		1215	1621 0607 00	10	Hinge	
1330	0147 1397 03	4	Bolt		<b>1220</b>	<b>1623 0439 80</b>	<b>1</b>	<b>Panel</b>	1)
1340	0301 2358 00	4	Washer		<b>1240</b>	<b>1623 0443 80</b>	<b>1</b>	<b>Panel</b>	1)
1350	1089 9068 01	2	Key		<b>1250</b>	<b>1623 0441 80</b>	<b>1</b>	<b>Panel</b>	1)
1360	0690 1140 01	2	House mark		<b>1260</b>	<b>1623 0381 80</b>	<b>1</b>	<b>Panel</b>	1)
1370	1079 9901 09	4	Label		1270	1619 2766 00	4	Bolt	
1375	1079 9902 55	2	Label		1280	0147 1963 08	12	Hexagon bolt	
1390	0690 1140 00	2	Logotype label		1290	1623 1831 00	1	Roof	
1400	1614 9851 01	9	Pin		1310	1623 0442 00	1	Roof	
1450	1616 2987 00	16	Plug		1320	0147 1963 08	49	Hexagon bolt	
1470	0129 3104 00	4	Rivet blind		1325	0301 2344 00	18	Washer	
1480	1614 6562 00	4	Clamp		1330	0147 1397 03	4	Bolt	
1490	1614 6563 00	4	Clamp		1340	0301 2358 00	4	Washer	
1500	0147 1252 03	8	Bolt		1350	1089 9068 01	2	Key	
1510	0301 2321 00	16	Washer		1360	0690 1140 01	2	House mark	
1520	0266 2108 00	8	Nut		1370	1079 9901 09	4	Label	
1530	1619 5337 01	5	Bolt		1375	1079 9902 55	2	Label	
1540	1623 0318 00	1	Support		1390	0690 1140 00	2	Logotype label	
1550	0147 1963 08	1	Hexagon bolt		1400	1614 9851 01	9	Pin	
1555	1619 2861 01	1	Clamp		1450	1616 2987 00	16	Plug	
1560	0147 1322 03	1	Bolt		1470	0129 3104 00	4	Rivet blind	
1565	0266 2110 00	1	Hexagon nut		1480	1614 6562 00	4	Clamp	





## Bodywork - Aircooled

Ref.	Partnumber	Qty	Name	Remarks	Ref.	Partnumber	Qty	Name	Remarks
1490	1614 6563 00	4	Clamp		1330	0147 1397 03	4	Bolt	
1500	0147 1252 03	8	Bolt		1340	0301 2358 00	4	Washer	
1510	0301 2321 00	16	Washer		1350	1089 9068 01	2	Key	
1520	0266 2108 00	8	Nut		1360	0690 1140 01	2	House mark	
1530	1619 5337 01	5	Bolt		1370	1079 9901 09	6	Label	
1540	1623 0318 00	1	Support		1375	1079 9902 55	2	Label	
1550	0147 1963 08	1	Hexagon bolt		1390	0690 1140 00	2	Logotype label	
1555	1619 2861 01	1	Clamp		1400	1614 9851 01	9	Pin	
1560	0147 1322 03	1	Bolt		1430	0147 1363 03	6	Bolt	
1565	0266 2110 00	1	Hexagon nut		1440	0301 2344 00	6	Washer	
	<b>1623 0444 80</b>	<b>1</b>	<b>Panel</b>	1)	1450	1616 2987 00	24	Plug	
2010		• 1	Panel		1470	0129 3104 00	4	Rivet blind	
2020	1623 0293 00	• 1	Panel		1480	1614 6562 00	4	Clamp	
2025	1623 1575 00	• 1	Profile		1490	1614 6563 00	4	Clamp	
2030	1619 2758 00	• AR	Seal		1500	0147 1252 03	8	Bolt	
2040	1079 1472 06	• 4	Bolt		1510	0301 2321 00	16	Washer	
	<b>1623 0170 80</b>	<b>1</b>	<b>Roof</b>		1520	0266 2108 00	8	Nut	
3010		• 1	Roof		1530	1619 5337 01	5	Bolt	
3020	1623 1131 00	• 1	Plate		1540	1623 0318 00	1	Support	
3030	0147 1963 08	• 3	Hexagon bolt		1550	0147 1963 08	1	Hexagon bolt	
			<b>Full Feature</b>		1555	1619 2861 01	1	Clamp	
1010	1623 1499 00	1	Frame		1560	0266 2110 00	1	Hexagon nut	
1100	1623 0438 00	4	Stay		1565	0147 1322 03	1	Bolt	
<b>1110</b>	<b>1623 0180 80</b>	<b>1</b>	<b>Stay</b>	1)		<b>1623 0444 80</b>	<b>1</b>	<b>Panel</b>	1)
<b>1115</b>	<b>1623 0180 80</b>	<b>5</b>	<b>Stay</b>	1)	2010		• 1	Panel	
1120	1619 2766 00	2	Bolt		2020	1623 0293 00	• 1	Panel	
1125	1619 2766 00	18	Bolt		2025	1623 1575 00	• 1	Profile	
1132	1623 1748 01	1	Screen		2030	1619 2758 00	• AR	Seal	
1134	0160 0997 11	4	Screw		2040	1079 1472 06	• 4	Bolt	
1136	0301 2321 00	4	Washer			<b>1623 0170 80</b>	<b>1</b>	<b>Roof</b>	
1137	1079 9901 67	1	Label		3010		• 1	Roof	
1138	1088 1001 04	1	Warning mark		3020	1623 1131 00	• 1	Plate	
<b>1140</b>	<b>1621 6879 80</b>	<b>4</b>	<b>Door</b>	2)	3030	0147 1963 08	• 3	Hexagon bolt	
	2252 7237 00	• 2	Doorlock					<b>Full Feature - High ambient condition</b>	
<b>1150</b>	<b>1621 6885 80</b>	<b>1</b>	<b>Door</b>	2)	1010	1623 1499 00	1	Frame	
	1623 1340 00	• 3	Lock		1100	1623 0438 00	4	Stay	
1152	0266 2110 00	1	Hexagon nut m8		<b>1110</b>	<b>1623 0180 80</b>	<b>1</b>	<b>Stay</b>	1)
1154	0333 3227 00	1	Lock washer		<b>1115</b>	<b>1623 0180 80</b>	<b>5</b>	<b>Stay</b>	1)
<b>1160</b>	<b>1621 6880 80</b>	<b>1</b>	<b>Door</b>	2)	1120	1619 2766 00	2	Bolt	
	1623 1340 00	• 3	Lock		1125	1619 2766 00	18	Bolt	
1162	0266 2110 00	1	Hexagon nut		1132	1623 2893 01	1	Screen	
1164	0333 3227 00	1	Lock washer		1134	0160 0997 11	4	Screw	
1166	0266 2108 00	1	Nut		1136	0301 2321 00	4	Washer	
1168	0301 2335 00	1	Washer		1137	1079 9901 67	1	Label	
<b>1170</b>	<b>1621 6881 80</b>	<b>2</b>	<b>Door</b>	2)	1138	1088 1001 04	1	Warning mark	
	2252 7237 00	• 2	Doorlock		<b>1140</b>	<b>1621 6879 80</b>	<b>4</b>	<b>Door</b>	2)
1180	1621 2538 00	2	Hinge			2252 7237 00	• 2	Doorlock	
1185	1621 2538 00	10	Hinge		<b>1150</b>	<b>1623 2892 80</b>	<b>1</b>	<b>Door</b>	2)
1190	1623 0503 00	4	Hinge			1623 1340 00	• 3	Lock	
1200	0147 1320 03	4	Bolt		1152	0266 2110 00	1	Hexagon nut	
1205	0147 1320 03	28	Bolt		1154	0333 3227 00	1	Lock washer	
1210	1621 0607 00	2	Hinge		<b>1160</b>	<b>1623 2851 80</b>	<b>1</b>	<b>Door</b>	2)
1215	1621 0607 00	14	Hinge			1623 1340 00	• 3	Lock	
<b>1220</b>	<b>1623 0439 80</b>	<b>1</b>	<b>Panel</b>	1)	1161	0348 0102 09	2	Cable tie	
<b>1240</b>	<b>1623 0443 80</b>	<b>1</b>	<b>Panel</b>	1)	1162	0266 2110 00	1	Hexagon nut	
<b>1250</b>	<b>1623 0695 80</b>	<b>1</b>	<b>Panel</b>	1)	1164	0333 3227 00	1	Lock washer	
<b>1260</b>	<b>1623 0381 80</b>	<b>1</b>	<b>Panel</b>	1)	1166	0266 2108 00	1	Nut	
1270	1619 2766 00	4	Bolt		1168	0301 2335 00	1	Washer	
1280	0147 1963 08	12	Hexagon bolt		<b>1170</b>	<b>1621 6881 80</b>	<b>2</b>	<b>Door</b>	2)
1290	1623 1831 00	1	Roof			2252 7237 00	• 2	Doorlock	
<b>1310</b>	<b>1623 0172 80</b>	<b>1</b>	<b>Roof</b>	1)	1180	1621 2538 00	2	Hinge	
	0395 6007 95	• 1	Foam		1185	1621 2538 00	10	Hinge	
	1088 0803 08	• 1	Grommet		1190	1623 0503 00	4	Hinge	
1320	0147 1963 08	54	Hexagon bolt		1200	0147 1320 03	4	Bolt	
1325	0301 2344 00	18	Washer						



## Bodywork - Aircooled

50

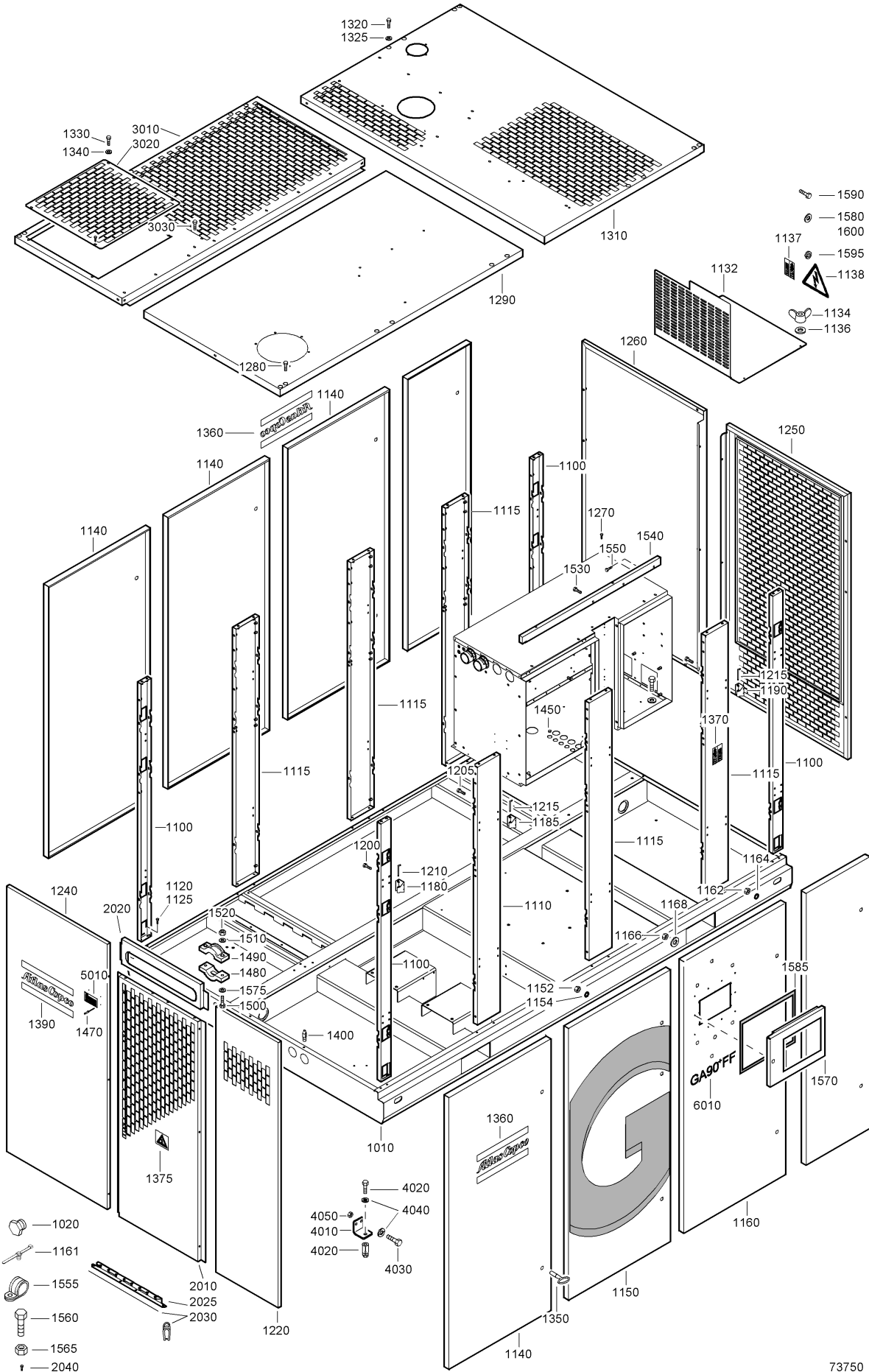
Ref.	Partnumber	Qty	Name	Remarks	Ref.	Partnumber	Qty	Name	Remarks
1205	0147 132003	28	Bolt			<b>1623 0444 80</b>	1	Panel	1)
1210	1621 060700	2	Hinge		2010		• 1	Panel	
1215	1621 060700	14	Hinge		2020	1623 0293 00	• 1	Panel	
<b>1220</b>	<b>1623 0439 80</b>	1	Panel	1)	2025	1623 1575 00	• 1	Profile	
<b>1240</b>	<b>1623 0443 80</b>	1	Panel	1)	2030	1619 2758 00	• AR	Seal	
<b>1250</b>	<b>1623 0695 80</b>	1	Panel	1)	2040	1079 1472 06	• 4	Bolt	
<b>1260</b>	<b>1623 0381 80</b>	1	Panel	1)		<b>1623 0170 80</b>	1	Roof	
1270	1619 2766 00	4	Bolt		3010		• 1	Roof	
1280	0147 1963 08	12	Hexagon bolt		3020	1623 1131 00	• 1	Plate	
1290	1623 1831 00	1	Roof		3030	0147 1963 08	• 3	Hexagon bolt	
<b>1310</b>	<b>1623 0172 80</b>	1	Roof	1)				<b>Anchor pads</b>	
	0395 6007 95	• 1	Foam		4010	1623 1779 00	4	Profile	
	1088 0803 08	• 1	Grommet		4020	0226 9929 06	4	Wedge bolt	
1320	0147 1963 08	54	Hexagon bolt		4030	0147 1403 03	8	Bolt	
1325	0301 2344 00	18	Washer		4040	0301 2358 00	16	Washer	
1330	0147 1397 03	4	Bolt		4050	0266 2112 00	8	Nut	
1340	0301 2358 00	4	Washer					<b>Data plate</b>	
1350	1089 9068 01	2	Key					<b>AS1210</b>	
1360	0690 1140 01	2	House mark					<b>ASME (U Stamp)</b>	
1370	1079 9901 09	6	Label					<b>CHINA</b>	
1375	1079 9902 55	2	Label					<b>CRN</b>	
1390	0690 1140 00	2	Logotype label					<b>MOL</b>	
1400	1614 9851 01	9	Pin					<b>MOM</b>	
1430	0147 1363 03	6	Bolt		5010	1614 8057 05	1	Data plate	
1440	0301 2344 00	6	Washer					<b>CE</b>	
1450	1616 2987 00	24	Plug		5010	1614 8057 08	1	Data plate	
1470	0129 3104 00	4	Rivet blind					<b>Label</b>	
1480	1614 6562 00	4	Clamp		6010	1623 2143 01	1	Label	
1490	1614 6563 00	4	Clamp					Lined with / Bekleed met / Beklädd med /	
1500	0147 1252 03	8	Bolt					Ausgekleidet mit / Garnir de / Rivestido de /	
1510	0301 2321 00	16	Washer					Allineato con / Foret med / Revestido com /	
1520	0266 2108 00	8	Nut					Kledd med / Vuorattu :	
1530	1619 5337 01	5	Bolt		1)	Foam: 0395 6001 67 (AR) 30 x 2040 x 1650 -		Self adhesive	
1540	1623 0318 00	1	Support		2)	Foam: 0395 6001 69 (AR) 50 x 2040 x 1650 -		Self adhesive	
1550	0147 1963 08	1	Hexagon bolt						
1555	1619 2861 01	1	Clamp						
1560	0147 1322 03	1	Bolt						
1565	0266 2110 00	1	Hexagon nut						



## Bodywork - Aircooled - NEMA 4

Ref.	Partnumber	Qty	Name	Remarks	Ref.	Partnumber	Qty	Name	Remarks
			<b>Air cooled</b>		1530	1619 5337 01	5	Bolt	
			<b>Pack</b>		1540	1623 0318 00	1	Support	
1010	1623 1547 00	1	Frame		1550	0147 1963 08	1	Hexagon bolt	
1020	1613 5983 02	1	Plug		1555	1619 2861 01	1	Clamp	
1100	1623 0438 00	4	Stay		1560	0147 1322 03	1	Bolt	
<b>1110</b>	<b>1623 0180 80</b>	<b>1</b>	<b>Stay</b>	1)	1565	0266 2110 00	1	Hexagon nut	
<b>1115</b>	<b>1623 0180 80</b>	<b>3</b>	<b>Stay</b>	1)	<b>1570</b>	<b>1623 3904 80</b>	<b>1</b>	<b>Cover</b>	
1120	1619 2766 00	2	Bolt			1622 2167 00	•	AR Seal	
1125	1619 2766 00	14	Bolt			1606 4754 00	•	1 Lock	
1132	1623 3718 00	1	Screen		1575	0300 8019 00	6	Washer	
1134	0296 1119 05	4	Nut wing		1580	0300 0276 00	6	Plain washer	
1136	0301 2321 00	4	Washer		1585	1623 3959 00	1	Gasket	
1137	1079 9901 67	1	Label		1590	0160 6081 00	10	Screw	
1138	1088 1001 04	1	Warning mark		1595	0291 1108 00	10	Locknut	
<b>1140</b>	<b>1621 6879 80</b>	<b>4</b>	<b>Door</b>	2)	1600	0300 0274 73	20	Washer	
	2252 7237 00	•	2 Doorlock			<b>1623 0444 80</b>	<b>1</b>	<b>Panel</b>	1)
<b>1150</b>	<b>1623 2888 80</b>	<b>1</b>	<b>Door cubicle</b>	2)	2010		•	1 Panel	
		•	1 Door		2020	1623 0293 00	•	1 Panel	
	1623 3085 00	•	6 Lock IP65		2025	1623 1575 00	•	1 Profile	
	1623 1340 00	•	3 Lock		2030	1619 2758 00	•	AR Seal	
	1623 0737 00	•	1 Seal		2040	1079 1472 06	•	4 Bolt	
1152	0266 2110 00	1	Hexagon nut			<b>1623 0170 80</b>	<b>1</b>	<b>Roof</b>	
1154	0333 3227 00	1	Lock washer		3010		•	1 Roof	
<b>1160</b>	<b>1623 2889 80</b>	<b>1</b>	<b>Door cubicle</b>	2)	3020	1623 1131 00	•	1 Plate	
		•	1 Door		3030	0147 1963 08	•	3 Hexagon bolt	
	1623 1340 00	•	1 Lock					<b>Full feature</b>	
	1623 3085 00	•	8 Lock IP65		1010	1623 1499 00	1	Frame	
	1623 0737 00	•	1 Seal		1100	1623 0438 00	4	Stay	
1161	0348 0102 09	2	Cable tie		<b>1110</b>	<b>1623 0180 80</b>	<b>1</b>	<b>Stay</b>	1)
1162	0266 2110 00	1	Hexagon nut		<b>1115</b>	<b>1623 0180 80</b>	<b>5</b>	<b>Stay</b>	1)
1164	0333 3227 00	1	Lock washer		1120	1619 2766 00	2	Bolt	
1166	0266 2108 00	1	Nut		1125	1619 2766 00	18	Bolt	
1168	0301 2335 00	1	Washer		1132	1623 3718 00	1	Screen	
1180	1621 2538 00	2	Hinge		1134	0296 1119 05	4	Nut wing	
1185	1621 2538 00	6	Hinge		1136	0301 2321 00	4	Washer	
1190	1623 0503 00	4	Hinge		1137	1079 9901 67	1	Label	
1200	0147 1320 03	4	Bolt		1138	1088 1001 04	1	Warning mark	
1205	0147 1320 03	20	Bolt		<b>1140</b>	<b>1621 6879 80</b>	<b>4</b>	<b>Door</b>	2)
1210	1621 0607 00	2	Hinge			2252 7237 00	•	2 Doorlock	
1215	1621 0607 00	10	Hinge		<b>1150</b>	<b>1623 2888 80</b>	<b>1</b>	<b>Door cubicle</b>	2)
<b>1220</b>	<b>1623 0439 80</b>	<b>1</b>	<b>Panel</b>	1)			•	1 Door	
<b>1240</b>	<b>1623 0443 80</b>	<b>1</b>	<b>Panel</b>	1)		1623 3085 00	•	6 Lock IP65	
<b>1250</b>	<b>1623 0441 80</b>	<b>1</b>	<b>Panel</b>	1)		1623 1340 00	•	3 Lock	
<b>1260</b>	<b>1623 0381 80</b>	<b>1</b>	<b>Panel</b>	1)		1623 0737 00	•	1 Seal	
1270	1619 2766 00	4	Bolt		1152	0266 2110 00	1	Hexagon nut	
1280	0147 1963 08	12	Hexagon bolt		1154	0333 3227 00	1	Lock washer	
1290	1623 1831 00	1	Roof		<b>1160</b>	<b>1623 2889 80</b>	<b>1</b>	<b>Door cubicle</b>	2)
1310	1623 0442 00	1	Roof				•	1 Door	
1320	0147 1963 08	49	Hexagon bolt			1623 1340 00	•	1 Lock	
1325	0301 2344 00	18	Washer			1623 3085 00	•	8 Lock IP65	
1330	0147 1397 03	4	Bolt			1623 0737 00	•	1 Seal	
1340	0301 2358 00	4	Washer		1161	0348 0102 09	2	Cable tie	
1350	1089 9068 01	2	Key		1162	0266 2110 00	1	Hexagon nut	
1360	0690 1140 01	2	House mark		1164	0333 3227 00	1	Lock washer	
1370	1079 9901 09	4	Label		1166	0266 2108 00	1	Nut	
1375	1079 9902 55	2	Label		1168	0301 2335 00	1	Washer	
1390	0690 1140 00	2	Logotype label		<b>1170</b>	<b>1621 6881 80</b>	<b>2</b>	<b>Door</b>	2)
1400	1614 9851 01	9	Pin			2252 7237 00	•	2 Doorlock	
1450	1616 2987 00	16	Plug		1180	1621 2538 00	2	Hinge	
1470	0129 3104 00	4	Rivet blind		1185	1621 2538 00	10	Hinge	
1480	1614 6562 00	4	Clamp		1190	1623 0503 00	4	Hinge	
1490	1614 6563 00	4	Clamp		1200	0147 1320 03	4	Bolt	
1500	0147 1252 03	8	Bolt		1205	0147 1320 03	28	Bolt	
1510	0301 2321 00	16	Washer		1210	1621 0607 00	2	Hinge	
1520	0266 2108 00	8	Nut		1215	1621 0607 00	14	Hinge	

# 51



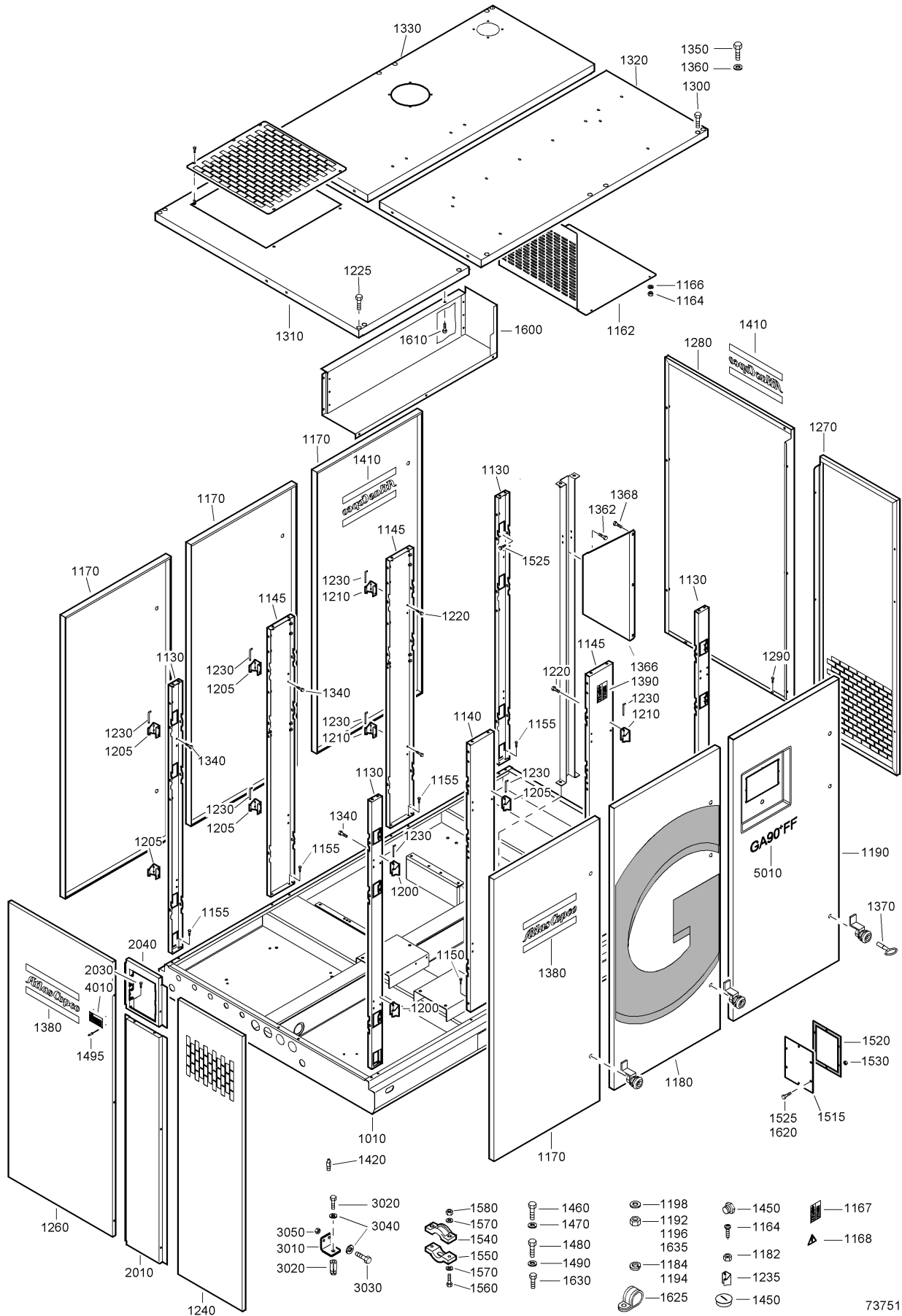
73750

73750

## Bodywork - Aircooled - NEMA 4

Ref.	Partnumber	Qty	Name	Remarks	Ref.	Partnumber	Qty	Name	Remarks
1220	1623 0439 80	1	Panel	l)		1623 0444 80	1	Panel	l)
1240	1623 0443 80	1	Panel	l)	2010		• 1	Panel	
1250	1623 0695 80	1	Panel	l)	2020	1623 0293 00	• 1	Panel	
1260	1623 0381 80	1	Panel	l)	2025	1623 1575 00	• 1	Profile	
1270	1619 2766 00	4	Bolt		2030	1619 2758 00	• AR	Seal	
1280	0147 1963 08	12	Hexagon bolt		2040	1079 1472 06	• 4	Bolt	
1290	1623 1831 00	1	Roof			1623 0170 80	• 1	Roof	
1310	1623 0172 80	1	Roof	l)	3010		• 1	Roof	
	0395 6007 95	• 1	Foam		3020	1623 1131 00	• 1	Plate	
	1088 0803 08	• 1	Grommet		3030	0147 1963 08	• 3	Hexagon bolt	
1320	0147 1963 08	54	Hexagon bolt					<b>Anchor pads</b>	
1325	0301 2344 00	18	Washer		4010	1623 1779 00	4	Profile	
1330	0147 1397 03	4	Bolt		4020	0226 9929 06	4	Wedge bolt	
1340	0301 2358 00	4	Washer		4030	0147 1403 03	8	Bolt	
1350	1089 9068 01	2	Key		4040	0301 2358 00	16	Washer	
1360	0690 1140 01	2	House mark		4050	0266 2112 00	8	Nut	
1370	1079 9901 09	6	Label					<b>Anchor pads</b>	
1375	1079 9902 55	2	Label		4010	1623 1779 00	4	Profile	
1390	0690 1140 00	2	Logotype label		4020	0226 9929 06	4	Wedge bolt	
1400	1614 9851 01	9	Pin		4030	0147 1403 03	8	Bolt	
1430	0147 1363 03	6	Bolt		4040	0301 2358 00	16	Washer	
1440	0301 2344 00	6	Washer		4050	0266 2112 00	8	Nut	
1450	1616 2987 00	24	Plug					<b>Data plate</b>	
1470	0129 3104 00	4	Rivet blind					<b>AS1210</b>	
1480	1614 6562 00	4	Clamp					<b>ASME (U Stamp)</b>	
1490	1614 6563 00	4	Clamp					<b>CHINA</b>	
1500	0147 1252 03	8	Bolt					<b>CRN</b>	
1510	0301 2321 00	16	Washer					<b>MOL</b>	
1520	0266 2108 00	8	Nut					<b>MOM</b>	
1530	1619 5337 01	5	Bolt		5010	1614 8057 05	1	Data plate	
1540	1623 0318 00	1	Support					<b>CE</b>	
1550	0147 1963 08	1	Hexagon bolt		5010	1614 8057 08	1	Data plate	
1555	1619 2861 01	1	Clamp					<b>Label</b>	
1560	0147 1322 03	1	Bolt		6010	1623 2143 01	1	Label	
1565	0266 2110 00	1	Hexagon nut					Lined with / Bekleed met / Beklädd med /	
1570	1623 3904 80	1	Cover					Ausgekleidet mit / Garnir de / Rivestido de /	
	1622 2167 00	• AR	Seal					Allineato con / Foret med / Revestido com /	
	1606 4754 00	• 1	Lock					Kledd med / Vuorattu :	
1575	0300 8019 00	6	Washer		1)			Foam: 0395 6001 67 (AR) 30 x 2040 x 1650 -	
1580	0300 0276 00	6	Plain washer					Self adhesive	
1585	1623 3959 00	1	Gasket		2)			Foam: 0395 6001 69 (AR) 50 x 2040 x 1650 -	
1590	0160 6081 00	10	Screw					Self adhesive	
1595	0291 1108 00	10	Locknut						
1600	0300 0274 73	20	Washer						

# 52



73751

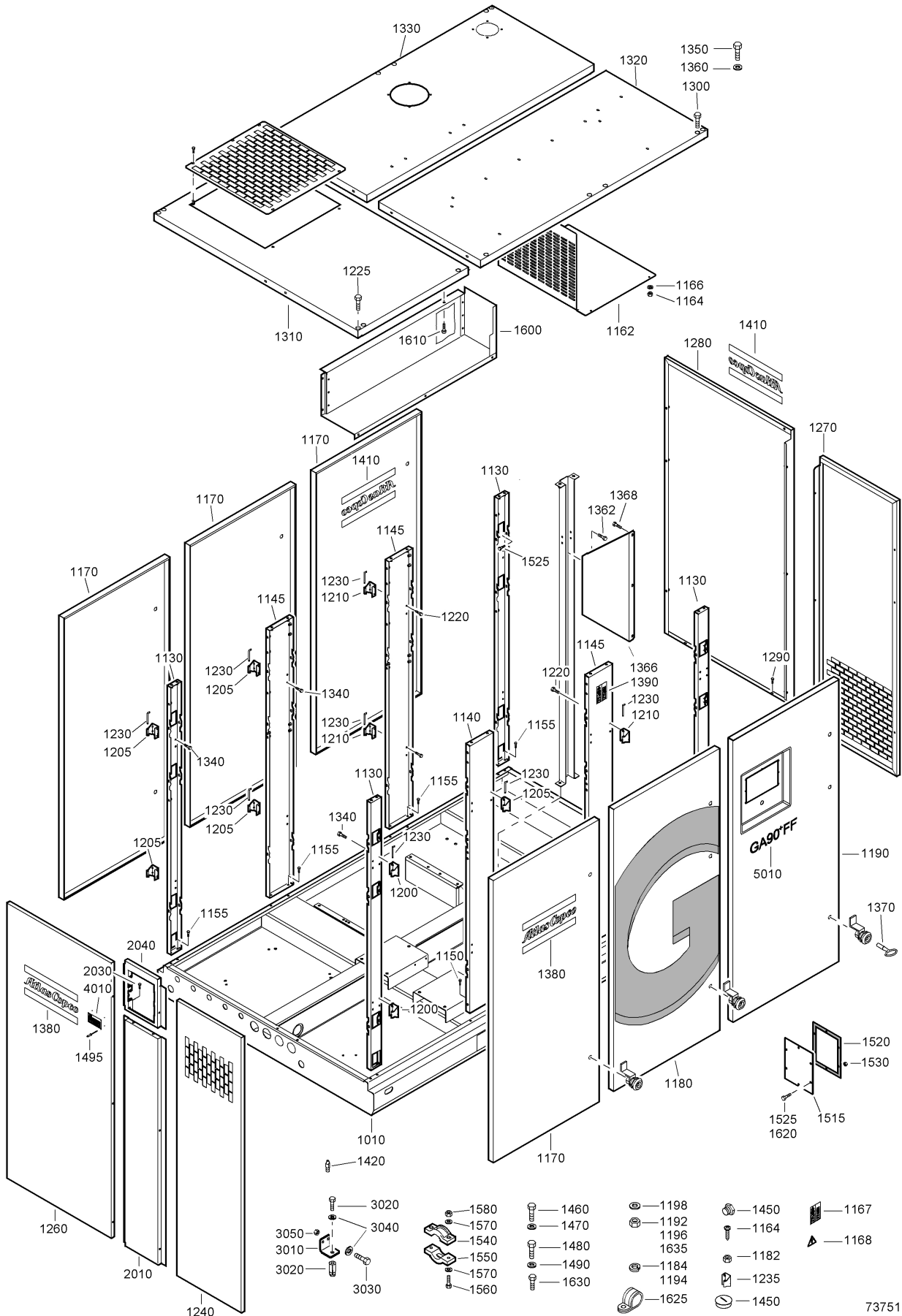


## Bodywork - Watercooled

52

Ref.	Part number	Qty	Name	Remarks	Ref.	Part number	Qty	Name	Remarks
			<b>Water cooled</b>		1530	0266 2110 00	6	Hexagon nut	
1010	1623 1549 00	1	Frame		1540	1614 6562 00	4	Clamp	
1130	1623 0438 00	4	Stay		1550	1614 6563 00	4	Clamp	
<b>1140</b>	<b>1623 0180 80</b>	<b>1</b>	<b>Stay</b>	1)	1560	0147 1252 03	8	Bolt	
<b>1145</b>	<b>1623 0180 80</b>	<b>3</b>	<b>Stay</b>	1)	1570	0301 2321 00	16	Washer	
1150	1619 2766 00	2	Bolt		1580	0266 2108 00	8	Nut	
1155	1619 2766 00	14	Bolt		1600	1623 1591 00	1	Baffle	
1162	1623 1748 01	1	Screen		1610	0147 1963 08	6	Hexagon bolt	
1164	0160 0997 11	4	Screw		1620	1619 5337 01	5	Bolt	
1166	0301 2321 00	4	Washer		1625	1619 2861 01	1	Clamp	
1167	1079 9901 67	1	Label		1630	0147 1322 03	1	Bolt	
1168	1088 1001 04	1	Warning mark		1635	0266 2110 00	1	Hexagon nut	
<b>1170</b>	<b>1621 6879 80</b>	<b>4</b>	<b>Door</b>	2)		<b>1623 0434 80</b>	<b>1</b>	<b>Panel</b>	1)
	2252 7237 00	• 2	Doorlock		2010		• 1	Panel	
<b>1180</b>	<b>1621 6885 80</b>	<b>1</b>	<b>Door</b>	2)	2030	1079 1472 06	• 2	Bolt	
	1623 1340 00	• 3	Lock		2040	1623 0433 00	• 1	Panel	
1182	0266 2110 00	1	Hexagon nut					<b>High ambient condition</b>	
1184	0333 3227 00	1	Lock washer		1010	1623 1549 00	1	Frame	
<b>1190</b>	<b>1621 6880 80</b>	<b>1</b>	<b>Door</b>	2)	1130	1623 0438 00	4	Stay	
	1623 1340 00	• 3	Lock		<b>1140</b>	<b>1623 0180 80</b>	<b>1</b>	<b>Stay</b>	1)
1192	0266 2110 00	1	Hexagon nut		<b>1145</b>	<b>1623 0180 80</b>	<b>3</b>	<b>Stay</b>	1)
1194	0333 3227 00	1	Lock washer		1150	1619 2766 00	2	Bolt	
1196	0266 2108 00	1	Nut		1155	1619 2766 00	14	Bolt	
1198	0301 2335 00	1	Washer		1162	1623 2893 01	1	Screen	
1200	1621 2538 00	2	Hinge		1164	0160 0997 11	4	Screw	
1205	1621 2538 00	6	Hinge		1166	0301 2321 00	4	Washer	
1210	1623 0503 00	4	Hinge		1167	1079 9901 67	1	Label	
1220	0147 1320 03	4	Bolt		1168	1088 1001 04	1	Warning mark	
1225	0147 1320 03	20	Bolt		<b>1170</b>	<b>1621 6879 80</b>	<b>4</b>	<b>Door</b>	2)
1230	1621 0607 00	2	Hinge			2252 7237 00	• 2	Doorlock	
1235	1621 0607 00	10	Hinge		<b>1180</b>	<b>1623 2892 80</b>	<b>1</b>	<b>Door</b>	2)
<b>1240</b>	<b>1623 0439 80</b>	<b>1</b>	<b>Panel</b>	1)		1623 1340 00	• 3	Lock	
<b>1260</b>	<b>1623 0443 80</b>	<b>1</b>	<b>Panel</b>	1)	1182	0266 2110 00	1	Hexagon nut	
<b>1270</b>	<b>1623 0431 80</b>	<b>1</b>	<b>Panel</b>	1)	1184	0333 3227 00	1	Lock washer	
<b>1280</b>	<b>1623 0381 80</b>	<b>1</b>	<b>Panel</b>	1)	<b>1190</b>	<b>1623 2851 80</b>	<b>1</b>	<b>Door</b>	2)
1290	1619 2766 00	4	Bolt			1623 1340 00	• 3	Lock	
1300	0147 1963 08	12	Hexagon bolt		1191	0348 0102 09	2	Cable tie	
<b>1310</b>	<b>1623 1841 80</b>	<b>1</b>	<b>Roof</b>	1)	1192	0266 2110 00	1	Hexagon nut	
1320	1623 0483 00	1	Roof		1194	0333 3227 00	1	Lock washer	
1325	1088 0803 08	1	Grommet		1196	0266 2108 00	1	Nut	
<b>1330</b>	<b>1623 0484 80</b>	<b>1</b>	<b>Roof</b>	1)	1198	0301 2335 00	1	Washer	
	1088 0803 08	• 1	Grommet		1200	1621 2538 00	2	Hinge	
1340	0147 1963 08	29	Hexagon bolt		1205	1621 2538 00	6	Hinge	
1350	0147 1397 03	4	Bolt		1210	1623 0503 00	4	Hinge	
1360	0301 2358 00	4	Washer		1220	0147 1320 03	4	Bolt	
1362	0147 1362 03	2	Bolt		1225	0147 1320 03	20	Bolt	
1366	1623 0746 00	1	Plate		1230	1621 0607 00	2	Hinge	
1368	0147 1963 08	3	Hexagon bolt		1235	1621 0607 00	10	Hinge	
1370	1089 9068 01	2	Key		<b>1240</b>	<b>1623 0439 80</b>	<b>1</b>	<b>Panel</b>	1)
1380	0690 1140 01	2	House mark		<b>1260</b>	<b>1623 0443 80</b>	<b>1</b>	<b>Panel</b>	1)
1390	1079 9901 09	4	Label		<b>1270</b>	<b>1623 0431 80</b>	<b>1</b>	<b>Panel</b>	1)
1410	0690 1140 00	2	Logotype label		<b>1280</b>	<b>1623 0381 80</b>	<b>1</b>	<b>Panel</b>	1)
1420	1614 9851 01	9	Pin		1290	1619 2766 00	4	Bolt	
1450	1616 2987 00	16	Plug		1300	0147 1963 08	12	Hexagon bolt	
1460	0147 1363 03	4	Bolt		<b>1310</b>	<b>1623 1841 80</b>	<b>1</b>	<b>Roof</b>	1)
1470	0301 2344 00	4	Washer		1320	1623 0483 00	1	Roof	
1480	0147 1401 03	8	Bolt		<b>1330</b>	<b>1623 0484 80</b>	<b>1</b>	<b>Roof</b>	1)
1490	0301 2358 00	8	Washer			1088 0803 08	• 1	Grommet	
1495	0129 3104 00	4	Rivet blind		1340	0147 1963 08	29	Hexagon bolt	
1515	1614 7146 00	1	Flange		1350	0147 1397 03	4	Bolt	
1520	1614 7145 00	1	Gasket		1360	0301 2358 00	4	Washer	
1525	0147 1325 03	6	Bolt		1362	0147 1362 03	2	Bolt	

52



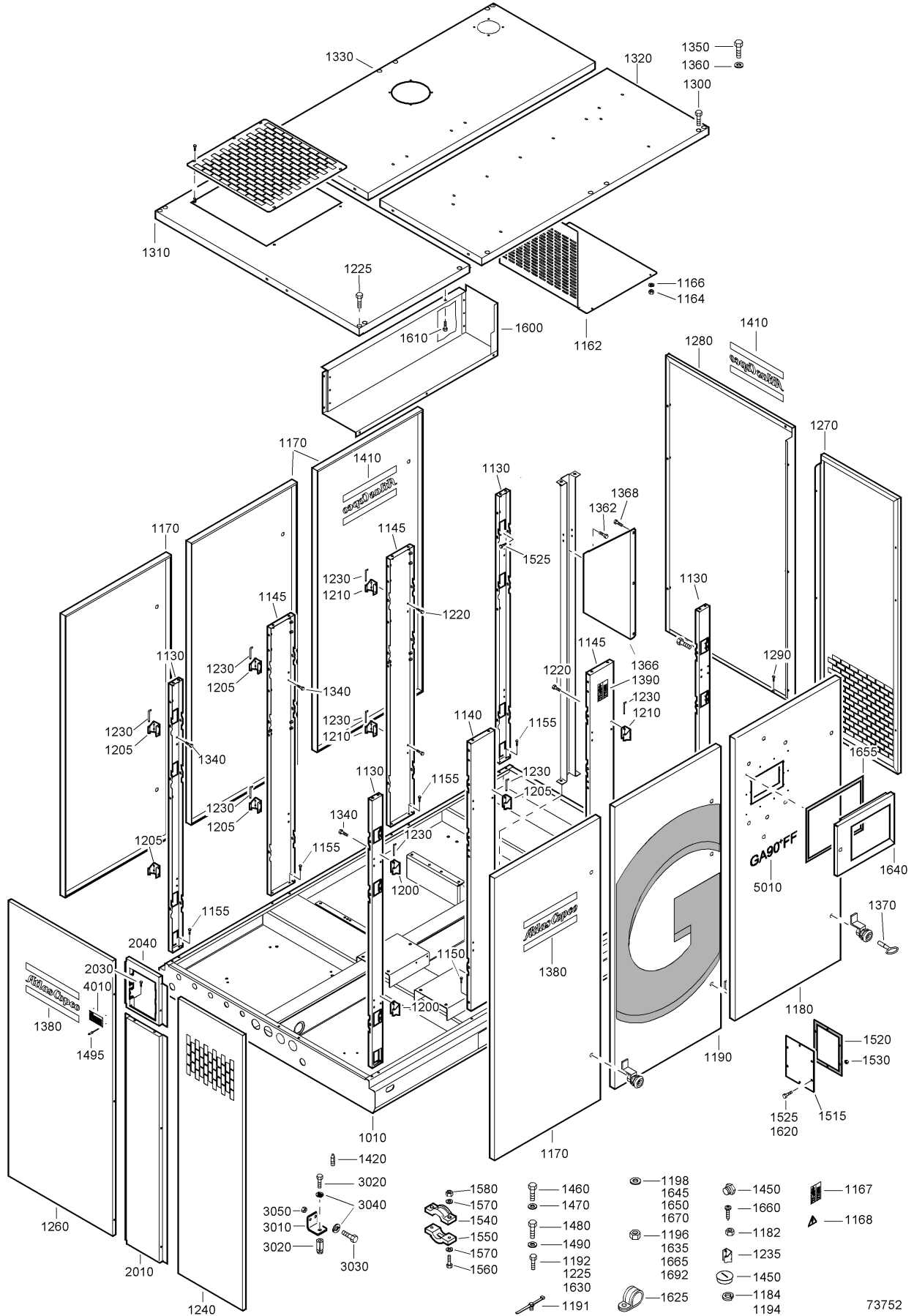
- |      |      |      |      |      |      |      |      |      |      |      |      |      |      |      |      |      |      |      |      |      |      |      |      |      |      |      |      |  |
|------|------|------|------|------|------|------|------|------|------|------|------|------|------|------|------|------|------|------|------|------|------|------|------|------|------|------|------|--|
| 3050 | 3010 | 3020 | 3030 | 3020 | 3040 | 1580 | 1570 | 1540 | 1550 | 1570 | 1560 | 1460 | 1470 | 1480 | 1490 | 1630 | 1198 | 1192 | 1196 | 1635 | 1182 | 1184 | 1194 | 1625 | 1450 | 1167 | 1168 |  |
|      |      |      |      |      |      |      |      |      |      |      |      |      |      |      |      |      |      |      |      |      |      |      |      |      |      |      |      |  |

## Bodywork - Watercooled

52

Ref.	Part number	Qty	Name	Remarks	Ref.	Part number	Qty	Name	Remarks
1366	1623 0746 00	1	Plate		2030	1079 1472 06	• 2	Bolt	
1368	0147 1963 08	3	Hexagon bolt		2040	1623 0433 00	• 1	Panel	
1370	1089 9068 01	2	Key					<b>Anchor pads</b>	
1380	0690 1140 01	2	House mark		3010	1623 1779 00	4	Profile	
1390	1079 9901 09	4	Label		3020	0226 9929 06	4	Wedge bolt	
1410	0690 1140 00	2	Logotype label		3030	0147 1403 03	8	Bolt	
1420	1614 9851 01	9	Pin		3040	0301 2358 00	16	Washer	
1450	1616 2987 00	16	Plug		3050	0266 2112 00	8	Nut	
1460	0147 1363 03	4	Bolt					<b>Data plate</b>	
1470	0301 2344 00	4	Washer					<b>AS1210</b>	
1480	0147 1401 03	8	Bolt					<b>ASME (U Stamp)</b>	
1490	0301 2358 00	8	Washer					<b>CHINA</b>	
1495	0129 3104 00	4	Rivet blind					<b>CRN</b>	
1515	1614 7146 00	1	Flange					<b>MOL</b>	
1520	1614 7145 00	1	Gasket					<b>MOM</b>	
1525	0147 1325 03	6	Bolt		4010	1614 8057 05	1	Data plate	
1530	0266 2110 00	6	Hexagon nut					<b>CE</b>	
1540	1614 6562 00	4	Clamp		4010	1614 8057 08	1	Data plate	
1550	1614 6563 00	4	Clamp					<b>Label</b>	
1560	0147 1252 03	8	Bolt		5010	1623 2143 01	1	Label	
1570	0301 2321 00	16	Washer					Lined with / Bekleed met / Beklädd med /	
1580	0266 2108 00	8	Nut					Ausgekleidet mit / Garnir de / Rivestido de /	
1600	1623 1591 00	1	Baffle					Allineato con / Foret med / Revestido com /	
1610	0147 1963 08	6	Hexagon bolt					Kledd med / Vuorattu :	
1620	1619 5337 01	5	Bolt		1)	Foam: 0395 6001 67 (AR) 30 x 2040 x 1650 -		Self adhesive	
1625	1619 2861 01	1	Clamp		2)	Foam: 0395 6001 69 (AR) 50 x 2040 x 1650 -		Self adhesive	
1630	0147 1322 03	1	Bolt						
1635	0266 2110 00	1	Hexagon nut						
	<b>1623 0434 80</b>	<b>1</b>	<b>Panel</b>	l)					
2010		• 1	Panel						

# 53



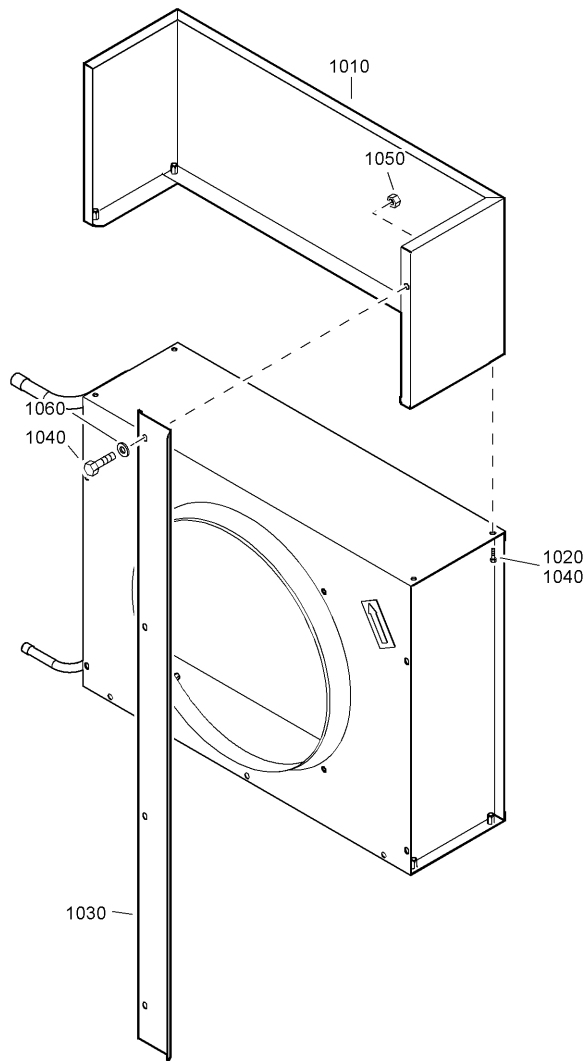
73752

## Bodywork - Watercooled - NEMA 4

Ref.	Partnumber	Qty	Name	Remarks	Ref.	Partnumber	Qty	Name	Remarks
			<b>Water cooled</b>		1470	0301 2344 00	4	Washer	
<b>1010</b>	<b>1623 1549 00</b>	<b>1</b>	<b>Frame</b>		1480	0147 1401 03	8	Bolt	
1130	1623 0438 00	4	Stay		1490	0301 2358 00	8	Washer	
<b>1140</b>	<b>1623 0180 80</b>	<b>1</b>	Stay	1)	1495	0129 3104 00	4	Rivet blind	
<b>1145</b>	<b>1623 0180 80</b>	<b>3</b>	Stay	1)	1515	1614 7146 00	1	Flange	
1150	1619 2766 00	2	Bolt		1520	1614 7145 00	1	Gasket	
1155	1619 2766 00	14	Bolt		1525	0147 1325 03	6	Bolt	
1162	1623 3718 00	1	Screen		1530	0266 2110 00	6	Hexagon nut	
1164	0296 1119 05	4	Nut wing		1540	1614 6562 00	4	Clamp	
1166	0301 2321 00	4	Washer		1550	1614 6563 00	4	Clamp	
1167	1079 9901 67	1	Label		1560	0147 1252 03	8	Bolt	
1168	1088 1001 04	1	Warning mark		1570	0301 2321 00	16	Washer	
<b>1170</b>	<b>1621 6879 80</b>	<b>4</b>	<b>Door</b>	2)	1580	0266 2108 00	8	Nut	
	2252 7237 00	• 2	Doorlock		1600	1623 1591 00	1	Baffle	
<b>1180</b>	<b>1623 2888 80</b>	<b>1</b>	<b>Door cubicle</b>	2)	1610	0147 1963 08	6	Hexagon bolt	
		• 1	Door		1620	1619 5337 01	5	Bolt	
	1623 3085 00	• 6	Lock IP65		1625	1619 2861 01	1	Clamp	
	1623 1340 00	• 3	Lock		1630	0147 1322 03	1	Bolt	
	1623 0737 00	• 1	Seal		1635	0266 2110 00	1	Hexagon nut	
1182	0266 2110 00	1	Hexagon nut		<b>1640</b>	<b>1623 3904 80</b>	<b>1</b>	<b>Cover</b>	
1184	0333 3227 00	1	Lock washer			1622 2167 00	• 1	AR Seal	
<b>1190</b>	<b>1623 2889 80</b>	<b>1</b>	<b>Door cubicle</b>	2)		1606 4754 00	• 1	Lock	
		• 1	Door		1645	0300 8019 00	6	Washer	
	1623 1340 00	• 1	Lock		1650	0300 0276 00	6	Plain washer	
	1623 3085 00	• 8	Lock IP65		1655	1623 3959 00	1	Gasket	
	1623 0737 00	• 1	Seal		1660	0160 6081 00	10	Screw	
1191	0348 0102 09	2	Cable tie		1665	0291 1108 00	10	Locknut	
1192	0266 2110 00	1	Hexagon nut		1670	0300 0274 73	20	Washer	
1194	0333 3227 00	1	Lock washer			<b>1623 0434 80</b>	<b>1</b>	<b>Panel</b>	1)
1196	0266 2108 00	1	Nut		2010		• 1	Panel	
1198	0301 2335 00	1	Washer		2030	1079 1472 06	• 2	Bolt	
1200	1621 2538 00	2	Hinge		2040	1623 0433 00	• 1	Panel	
1205	1621 2538 00	6	Hinge					<b>Anchor pads</b>	
1210	1623 0503 00	4	Hinge		3010	1623 1779 00	4	Profile	
1220	0147 1320 03	4	Bolt		3020	0226 9929 06	4	Wedge bolt	
1225	0147 1320 03	20	Bolt		3030	0147 1403 03	8	Bolt	
1230	1621 0607 00	2	Hinge		3040	0301 2358 00	16	Washer	
1235	1621 0607 00	10	Hinge		3050	0266 2112 00	8	Nut	
<b>1240</b>	<b>1623 0439 80</b>	<b>1</b>	<b>Panel</b>	1)				<b>Data plate</b>	
<b>1260</b>	<b>1623 0443 80</b>	<b>1</b>	<b>Panel</b>	1)				<b>AS1210</b>	
<b>1270</b>	<b>1623 0431 80</b>	<b>1</b>	<b>Panel</b>	1)				<b>ASME (U Stamp)</b>	
<b>1280</b>	<b>1623 0381 80</b>	<b>1</b>	<b>Panel</b>	1)				<b>CHINA</b>	
1290	1619 2766 00	4	Bolt					<b>CRN</b>	
1300	0147 1963 08	12	Hexagon bolt					<b>MOL</b>	
<b>1310</b>	<b>1623 1841 80</b>	<b>1</b>	<b>Roof</b>	1)				<b>MOM</b>	
1320	1623 0483 00	1	Roof		4010	1614 8057 05	1	Data plate	
<b>1330</b>	<b>1623 0484 80</b>	<b>1</b>	<b>Roof</b>	1)				<b>CE</b>	
	1088 0803 08	• 1	Grommet		4010	1614 8057 08	1	Data plate	
1340	0147 1963 08	29	Hexagon bolt					<b>Label</b>	
1350	0147 1397 03	4	Bolt		5010	1623 2143 01	1	Label	
1360	0301 2358 00	4	Washer						
1362	0147 1362 03	2	Bolt						
1366	1623 0746 00	1	Plate						
1368	0147 1963 08	3	Hexagon bolt						
1370	1089 9068 01	2	Key						
1380	0690 1140 01	2	House mark						
1390	1079 9901 09	4	Label		1)	Foam: 0395 6001 67 (AR) 30 x 2040 x 1650 -			
1410	0690 1140 00	2	Logotype label			Self adhesive			
1420	1614 9851 01	9	Pin		2)	Foam: 0395 6001 69 (AR) 50 x 2040 x 1650 -			
1450	1616 2987 00	16	Plug			Self adhesive			
1460	0147 1363 03	4	Bolt						

1-2)Lined with / Bekleed met / Beklädd med /  
Ausgekleidet mit / Garnir de / Rivestido de / Allineato con /  
Foret med / Revestido com / Kledd med / Vuorattu :

# 54



73753

## Bodywork - Dryer Baffles

54

Ref.	Part number	Qty	Name	Remarks	Ref.	Part number	Qty	Name	Remarks
			<b>GA 90+</b>		1040	0147 1963 08	4	Hexagon bolt	
			<b>GA 132+</b>		1050	0266 2110 00	3	Hexagon nut	
			<b>5.2 bar(e)</b>		1060	0301 2335 00	3	Washer	
			<b>5.5 bar(e)</b>					<b>GA 110+</b>	
			<b>6.9 bar(e)</b>					<b>GA 132+</b>	
			<b>7.5 bar(e)</b>					<b>5.2 bar(e)</b>	
1010	1623 0948 80	1	<b>Baffle</b>					<b>5.5 bar(e)</b>	
	1619 5188 00	•	AR Seal		1030	1623 1743 80	1	<b>Baffle</b>	
1020	0147 1963 08	7	Hexagon bolt			1619 5188 00	AR	Seal	
1030	1623 1743 80	1	<b>Baffle</b>		1040	0147 1963 08	7	Hexagon bolt	
	1619 5188 00	•	AR Seal		1050	0266 2110 00	4	Hexagon nut	
1040	0147 1963 08	4	Hexagon bolt		1060	0301 2335 00	4	Washer	
1050	0266 2110 00	3	Hexagon nut					<b>GA 160</b>	
1060	0301 2335 00	3	Washer					<b>6.9bar(e)</b>	
			<b>GA 90+</b>					<b>7.5bar(e)</b>	
			<b>GA 110+</b>		1010	1623 0946 80	1	<b>Baffle</b>	
			<b>GA 132+</b>			1619 5188 00	•	AR Seal	
			<b>GA 160+</b>		1020	0147 1963 08	7	Hexagon bolt	
			<b>6.9 bar(e)</b>		1030	1623 1743 80	1	<b>Baffle</b>	
			<b>7.5 bar(e)</b>			1619 5188 00	•	AR Seal	
			<b>8.5 bar(e)</b>		1040	0147 1963 08	4	Hexagon bolt	
			<b>8.6 bar(e)</b>		1050	0266 2110 00	2	Hexagon nut	
			<b>10 bar(e)</b>		1060	0301 2335 00	2	Washer	
			<b>10.4 bar(e)</b>					<b>GA 110</b>	
			<b>13.8 bar(e)</b>					<b>GA 132</b>	
			<b>14 bar(e)</b>					<b>GA 160</b>	
1010	1623 0947 80	1	<b>Baffle</b>					<b>8.5bar(e)</b>	
	1619 5188 00	•	AR Seal					<b>8.6bar(e)</b>	
1020	0147 1963 08	7	Hexagon bolt					<b>10bar(e)</b>	
1030	1623 1743 80	1	<b>Baffle</b>					<b>10.4bar(e)</b>	
	1619 5188 00	•	AR Seal		1010	1623 0945 80	1	<b>Baffle</b>	
1040	0147 1963 08	4	Hexagon bolt			1619 5188 00	•	AR Seal	
1050	0266 2110 00	2	Hexagon nut		1020	0147 1963 08	7	Hexagon bolt	
1060	0301 2335 00	2	Washer		1030	1623 1743 80	1	<b>Baffle</b>	
			<b>GA 110+</b>			1619 5188 00	•	AR Seal	
			<b>5.5 bar(e)</b>		1040	0147 1963 08	4	Hexagon bolt	
1010	1623 1742 80	1	<b>Baffle</b>		1050	0266 2110 00	2	Hexagon nut	
	1619 5188 00	•	AR Seal		1060	0301 2335 00	2	Washer	
1020	0147 1963 08	7	Hexagon bolt						
1030	1623 1743 80	1	<b>Baffle</b>						
	1619 5188 00	•	AR Seal						

Option(s)

55

Ref.	Part number	Qty	Name	Remarks	Ref.	Part number	Qty	Name	Remarks
			<b>Electrical system</b>		1089 9461 07		• 1	Relay	
			<b>Water cooled 13.8 bar(e)</b>		1088 0031 62		• 1	Connector	
			<b>Water cooled 14 bar(e)</b>		1089 9168 36		• 1	Fuse	
			<b>Energy recovery</b>		1088 0015 16		• 2	Connector pin	
<b>1900 3183 01</b>		<b>1</b>	<b>Control panel</b>		1089 0612 02		• 1	Fuse holder	
1089 9482 06		• 1	Plc					<b>With PT 1000s in the</b>	
1088 0037 62		• 2	Connector					<b>windings</b>	
1088 0037 30		• 1	Connector		1900 3184 03		1	Control panel	
1088 0031 06		• 1	Connection		1088 0031 08		1	Connector	
1623 1157 00		1	Wiring		1088 0031 10		1	Connector	
			<b>Energy recovery</b>		1079 9697 05		1	Reducer	
<b>1900 3183 02</b>		<b>1</b>	<b>Control panel</b>		0697 9809 03		1	Nut	
1088 0031 62		• 1	Connector					<b>Anti-condensation heaters</b>	
1623 1157 00		1	Wiring		<b>1900 3184 04</b>		<b>1</b>	<b>Control panel</b>	
			<b>Cubicle options</b>		1088 0037 62		• 1	Connector	
			<b>IT network</b>		1088 0037 30		• 1	Connector	
<b>1900 3184 16</b>		<b>1</b>	<b>Control panel</b>		1088 0031 02		1	Connector	
1089 0612 12		• 1	Fuse holder					<b>GSM connect</b>	
1089 9416 72		• 1	Circuit breaker		1900 0711 78		1	Aircontact quadband	
1089 9425 24		• 1	Transformer		1622 0676 20		1	Cable (can)	
9823 1902 06		• 1	Diagram service		0017 2010 40		AR	Cable	
			<b>Phase sequence relay</b>		0017 2070 40		AR	Cable	
<b>1900 3184 09</b>		<b>1</b>	<b>Control panel</b>						
1088 0015 22		• 1	Contact						











# **Atlas Copco** Stationary Air Compressors

GA 90+ , GA110, GA110+  
GA132, GA132+, GA160 , GA160+

Parts list

What sets Atlas Copco apart as a company is our conviction that we can only excel in what we do if we provide the best possible know-how and technology to really help our customers produce, grow and succeed.

There is a unique way of achieving that - we simply call it the Atlas Copco way. It builds on **interaction**, on long-term relationships and involvement in the customers' process, needs and objectives. It means having the flexibility to adapt to the diverse demands of the people we cater for.

It's the **commitment** to our customers' business that drives our effort towards increasing their productivity through better solutions. It starts with fully supporting existing products and continuously doing things better, but it goes much further, creating advances in technology through **innovation**. Not for the sake of technology, but for the sake of our customer's bottom line and peace-of-mind.

That is how Atlas Copco will strive to remain the first choice, to succeed in attracting new business and to maintain our position as the industry leader.



\* 2 9 3 0 1 7 8 8 0 0 \*